

US00D609688S

(12) **United States Design Patent**  
**Obata**

(10) **Patent No.:** **US D609,688 S**

(45) **Date of Patent:** **\*\* Feb. 9, 2010**

(54) **DIGITAL VOICE RECORDER**

(75) Inventor: **Yasushi Obata**, Takatsuki (JP)

(73) Assignee: **Sanyo Electric Co., Ltd.**, Osaka (JP)

(\*\*) Term: **14 Years**

(21) Appl. No.: **29/334,280**

(22) Filed: **Mar. 24, 2009**

(30) **Foreign Application Priority Data**

Oct. 1, 2008 (JP) ..... D2008-025266

(51) **LOC (9) Cl.** ..... **14-01**

(52) **U.S. Cl.** ..... **D14/167**

(58) **Field of Classification Search** ..... D14/167,  
D14/154, 168, 188, 496, 156, 160, 161, 162,  
D14/163, 164, 165, 158, 341, 346, 342, 345;  
D16/208; D26/38; 455/351, 350; D19/60,  
D19/62; D21/330

See application file for complete search history.

(56) **References Cited**

**U.S. PATENT DOCUMENTS**

D473,535 S \* 4/2003 Ishii ..... D14/167  
D533,861 S \* 12/2006 Amano ..... D14/167  
D533,862 S \* 12/2006 Jinde ..... D14/167  
D558,183 S \* 12/2007 Aoki ..... D14/167  
D575,264 S \* 8/2008 Nakajima ..... D14/167  
D580,908 S \* 11/2008 Nakamura ..... D14/167

D592,635 S \* 5/2009 Obata et al. .... D14/167  
D596,155 S \* 7/2009 Sakai ..... D14/167  
D598,891 S \* 8/2009 Naito ..... D14/167  
D601,121 S \* 9/2009 Chen ..... D14/167

**FOREIGN PATENT DOCUMENTS**

JP D1248035 8/2005  
JP D1303164 6/2007  
JP D1303165 6/2007  
JP D1328924 5/2008

\* cited by examiner

*Primary Examiner*—Cathron C Brooks

*Assistant Examiner*—Austin Murphy

(74) *Attorney, Agent, or Firm*—Darby & Darby

(57) **CLAIM**

The ornamental design for a digital voice recorder, as shown and described.

**DESCRIPTION**

FIG. 1 is a perspective view of a digital voice recorder, as seen from the top, front and right sides;

FIG. 2 is a front elevation thereof;

FIG. 3 is a rear elevation thereof;

FIG. 4 is a left-side elevation view thereof;

FIG. 5 is a right-side elevation view thereof;

FIG. 6 is a top plan view thereof; and,

FIG. 7 is a bottom plan view thereof.

**1 Claim, 2 Drawing Sheets**

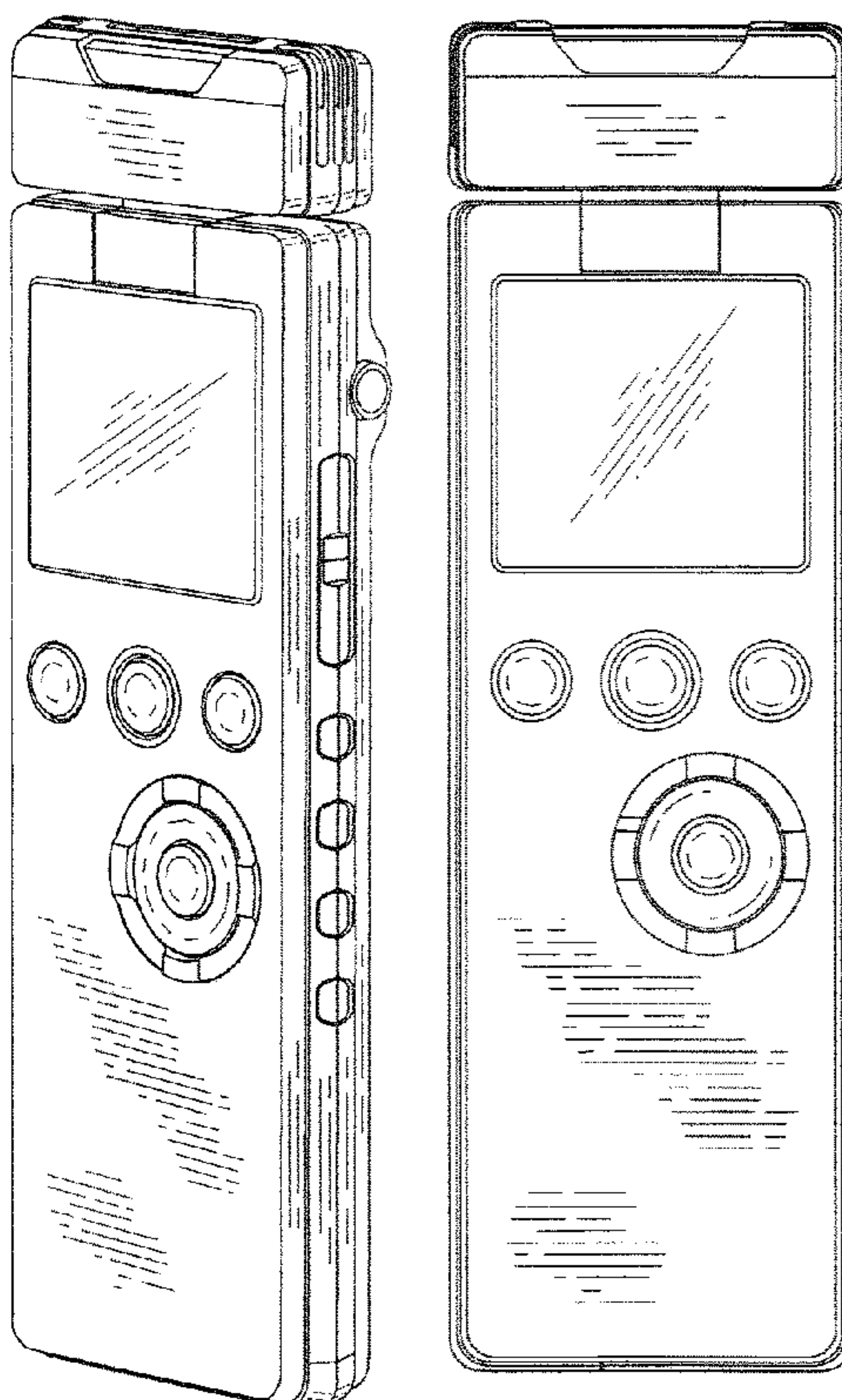


FIG.3

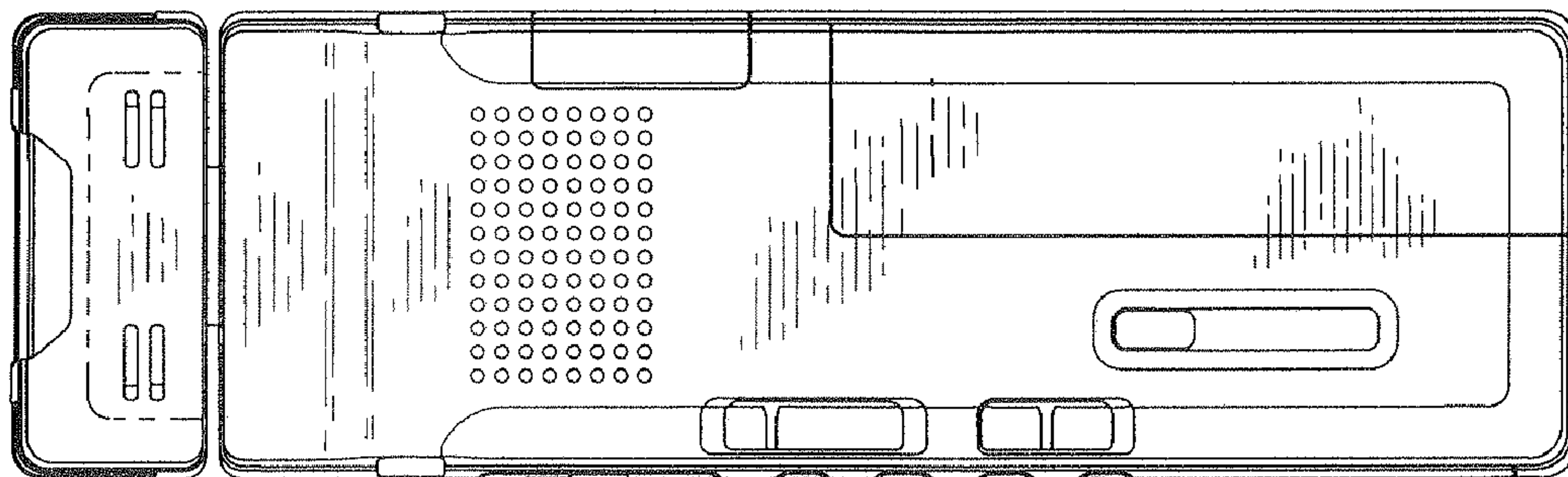


FIG.2

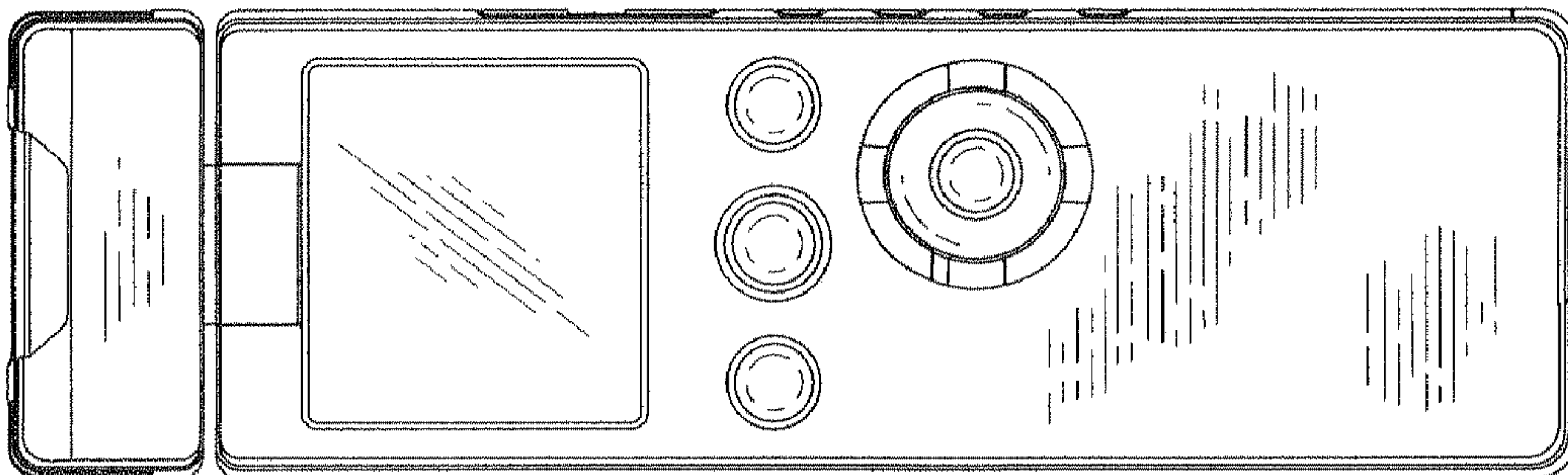


FIG.1

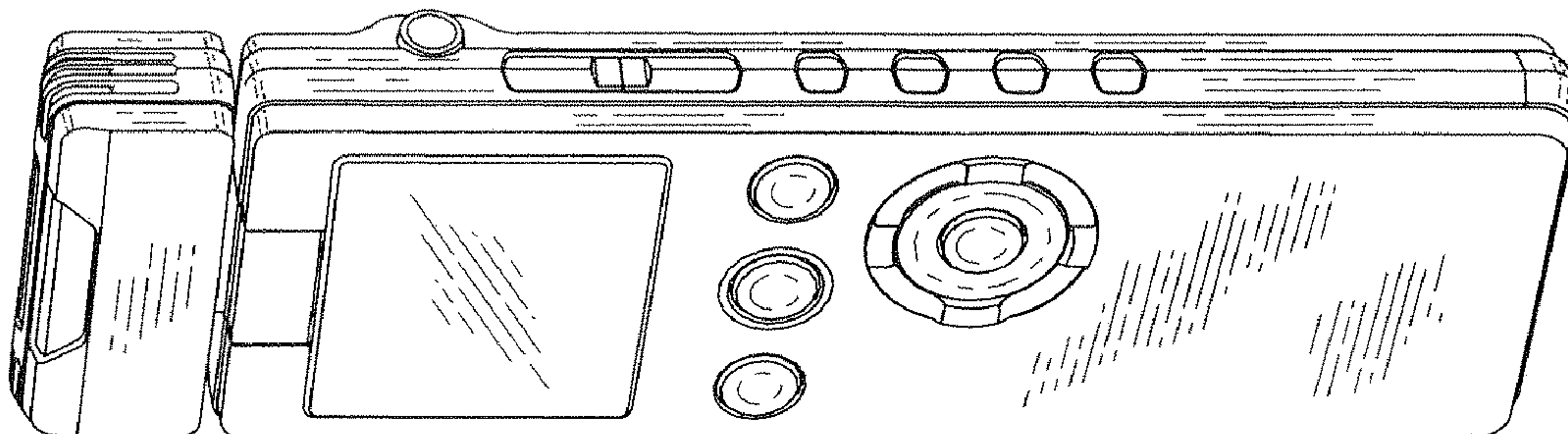


FIG.7

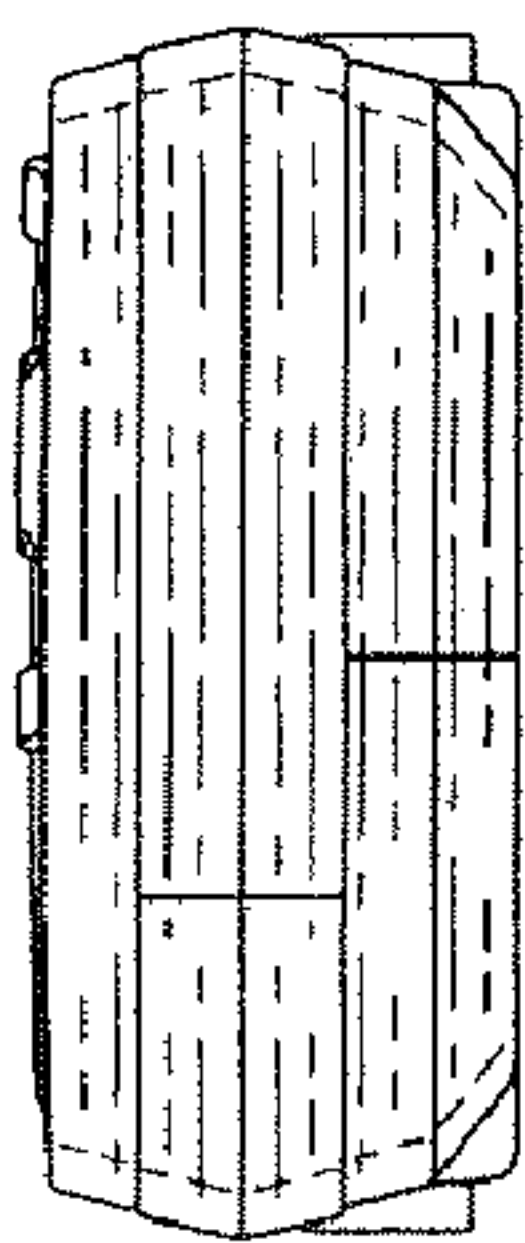


FIG.6

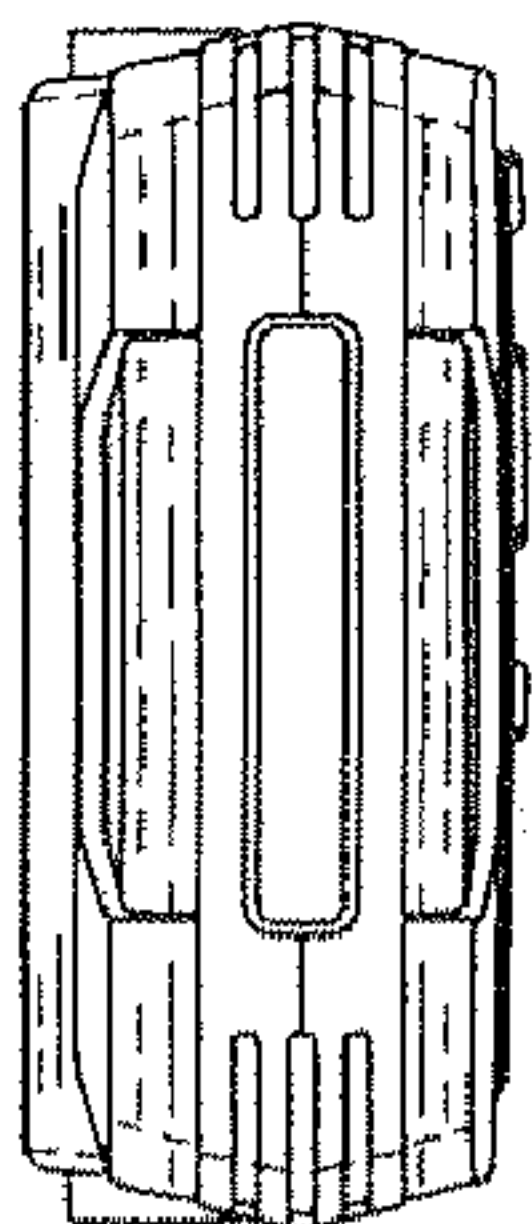


FIG.5

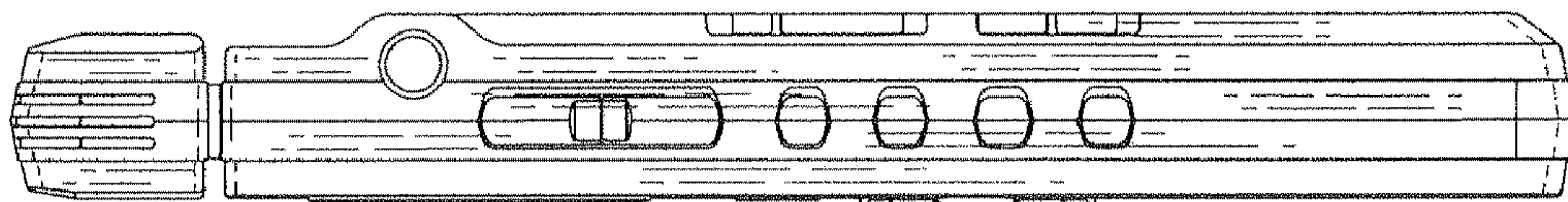


FIG.4

