



US00D609686S

(12) **United States Design Patent**
Robinson et al.

(10) **Patent No.:** **US D609,686 S**

(45) **Date of Patent:** **** Feb. 9, 2010**

(54) **TELEPHONE**

D571,777 S * 6/2008 Waterman et al. D14/151

(75) Inventors: **Quincy Robinson**, Cincinnati, OH (US);
Michael Hoeting, Cincinnati, OH (US)

(Continued)

(73) Assignee: **MerchSource, LLC**, Foothill Ranch, CA (US)

Primary Examiner—Ian Simmons
Assistant Examiner—Carla Jobe Wright

(**) Term: **14 Years**

(74) *Attorney, Agent, or Firm*—The Eclipse Group LLP

(21) Appl. No.: **29/325,501**

(57) **CLAIM**

(22) Filed: **Oct. 1, 2008**

We claim the ornamental design for a telephone, as shown and described.

(30) **Foreign Application Priority Data**

DESCRIPTION

May 19, 2008 (CN) 2008 3 0049047

(51) **LOC (9) Cl.** **14-03**

(52) **U.S. Cl.** **D14/149**

(58) **Field of Classification Search** D14/130,
D14/137, 140, 140.1, 140.8, 141.1, 141.3,
D14/142, 149–151, 158–159, 168, 171–172,
D14/188, 211, 214, 225–226, 240, 243, 251,
D14/253, 299, 336, 215, 167, 210, 212, 509,
D14/140.4, 140.5, 140.6, 242, 140.2, 138 R,
D14/144, 434, 496, 138 G, 138 AA, 341–347,
D14/147–148, 248; 379/387.01, 388.02,
379/420.02, 447, 453, 434; 381/16; D13/107–108,
D13/168; 455/351, 412.1

FIG. 1 is a front perspective view of a telephone.
FIG. 2 is a right side view of the telephone of FIG. 1.
FIG. 3 is a front view of the telephone of FIG. 1.
FIG. 4 is a left side view of the telephone of FIG. 1.
FIG. 5 is a rear view of the telephone of FIG. 1.
FIG. 6 is a rear perspective view of the telephone of FIG. 1.
FIG. 7 is right side view of the telephone of FIG. 1 while in a flat position.
FIG. 8 is a front view of the telephone of FIG. 1 while in a flat position.
FIG. 9 is a rear view of the telephone of FIG. 1 while in a flat position; and,
FIG. 10 is a bottom view of the telephone of FIG. 1 while in a flat position.

See application file for complete search history.

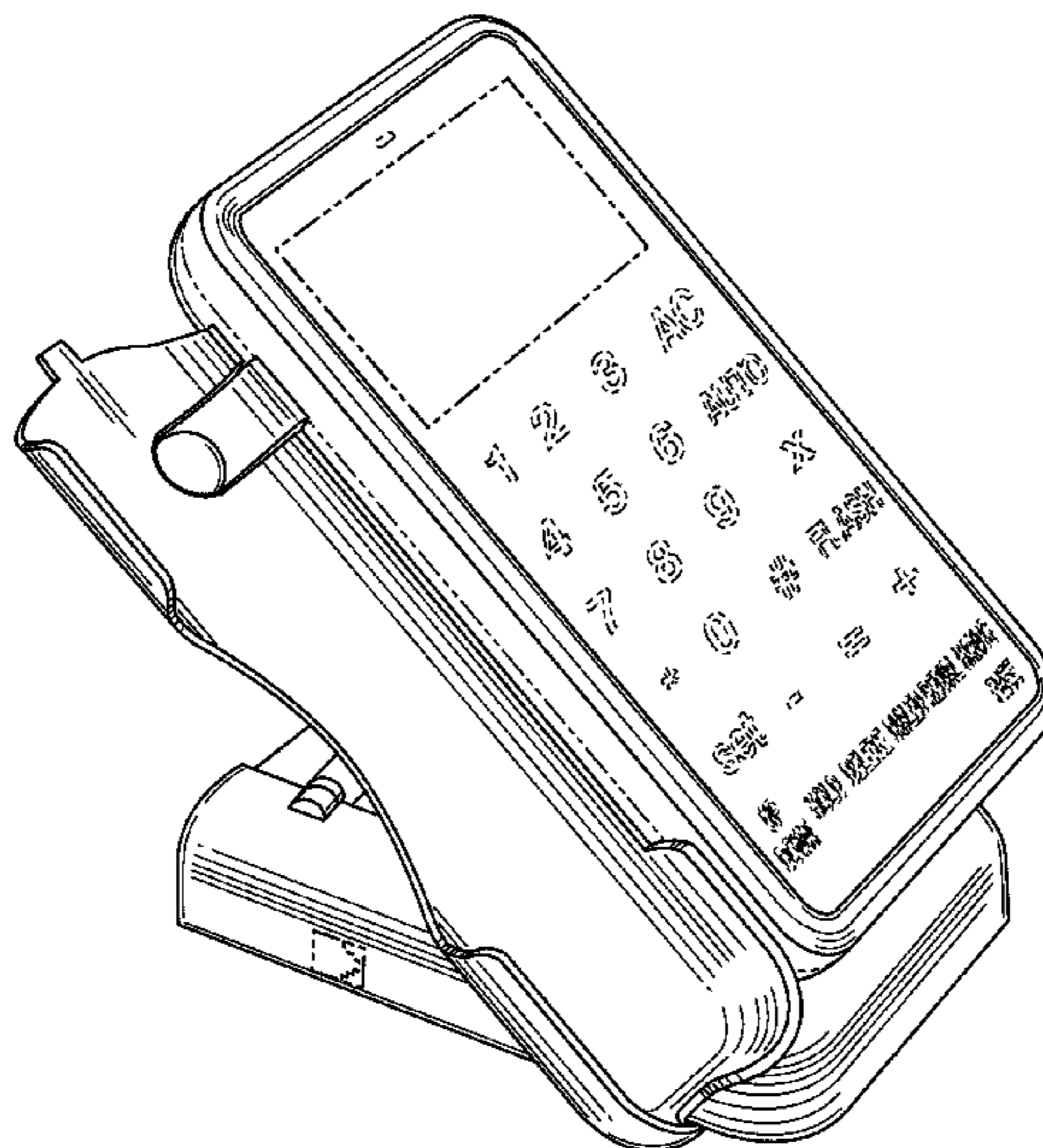
(56) **References Cited**

U.S. PATENT DOCUMENTS

D283,614 S * 4/1986 Somaschini D14/130
D313,595 S * 1/1991 Morooka D14/159
5,170,427 A * 12/1992 Guichard et al. 348/14.05
D382,557 S * 8/1997 Solomita et al. D14/149
D414,489 S * 9/1999 Voigt et al. D14/148
D440,542 S * 4/2001 Hawkins et al. D14/346
D479,517 S * 9/2003 Weidinger D14/151
D556,180 S * 11/2007 Udagawa et al. D14/151
D557,259 S * 12/2007 Hirsch D14/217

The broken lines that show the outermost periphery of non-claimed features represent boundaries of the claimed design. All other broken lines are directed to environment and are for illustrative Purposes only. The broken lines and the unshaded regions that are bounded by broken lines form no part of the claimed design.

1 Claim, 9 Drawing Sheets



US D609,686 S

Page 2

U.S. PATENT DOCUMENTS

D576,998 S *	9/2008	Furuno	D14/151	
D585,397 S *	1/2009	Hwang	D14/130	* cited by examiner
				D596,598 S * 7/2009 Huang et al. D14/130

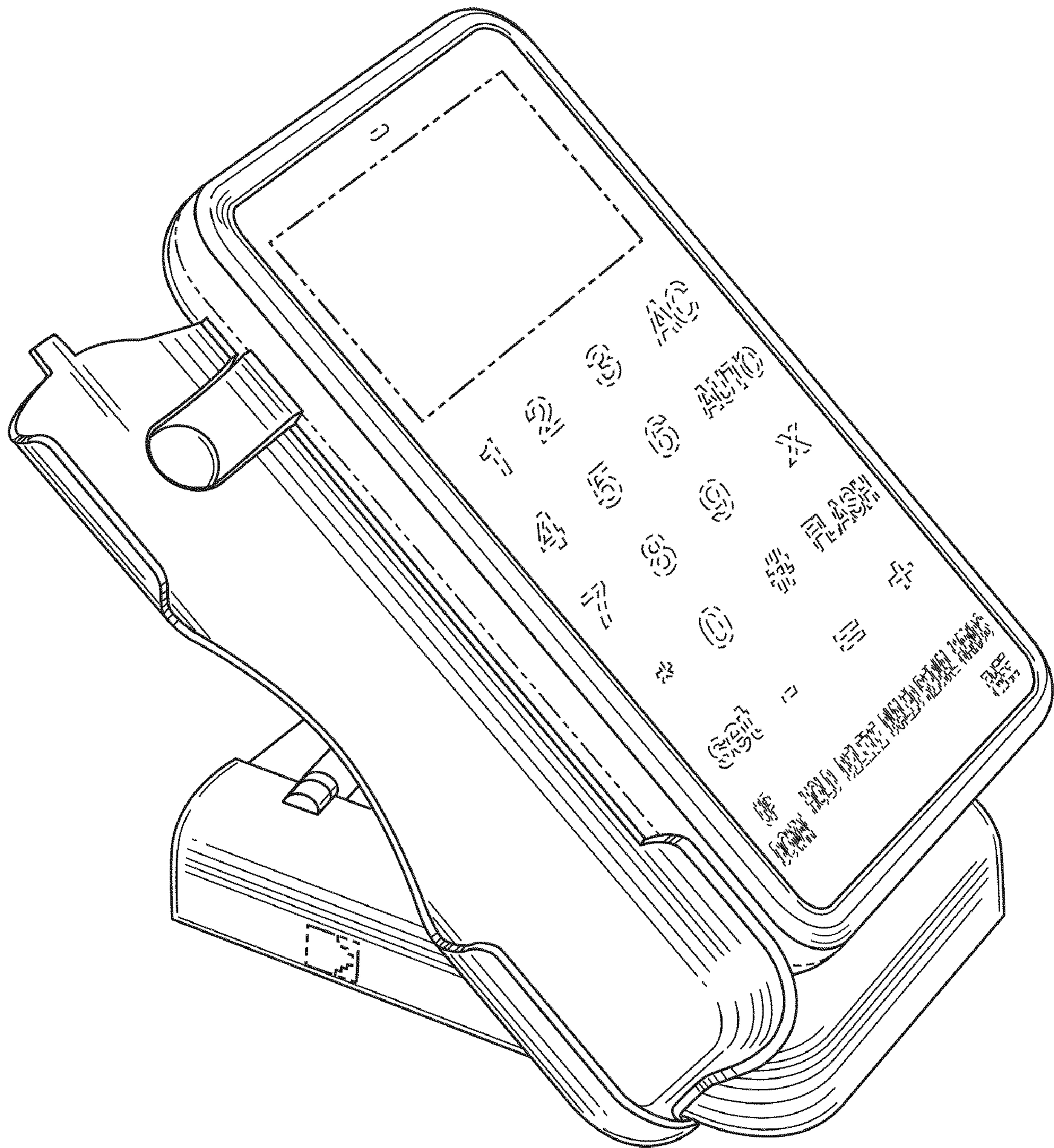


Fig. 1

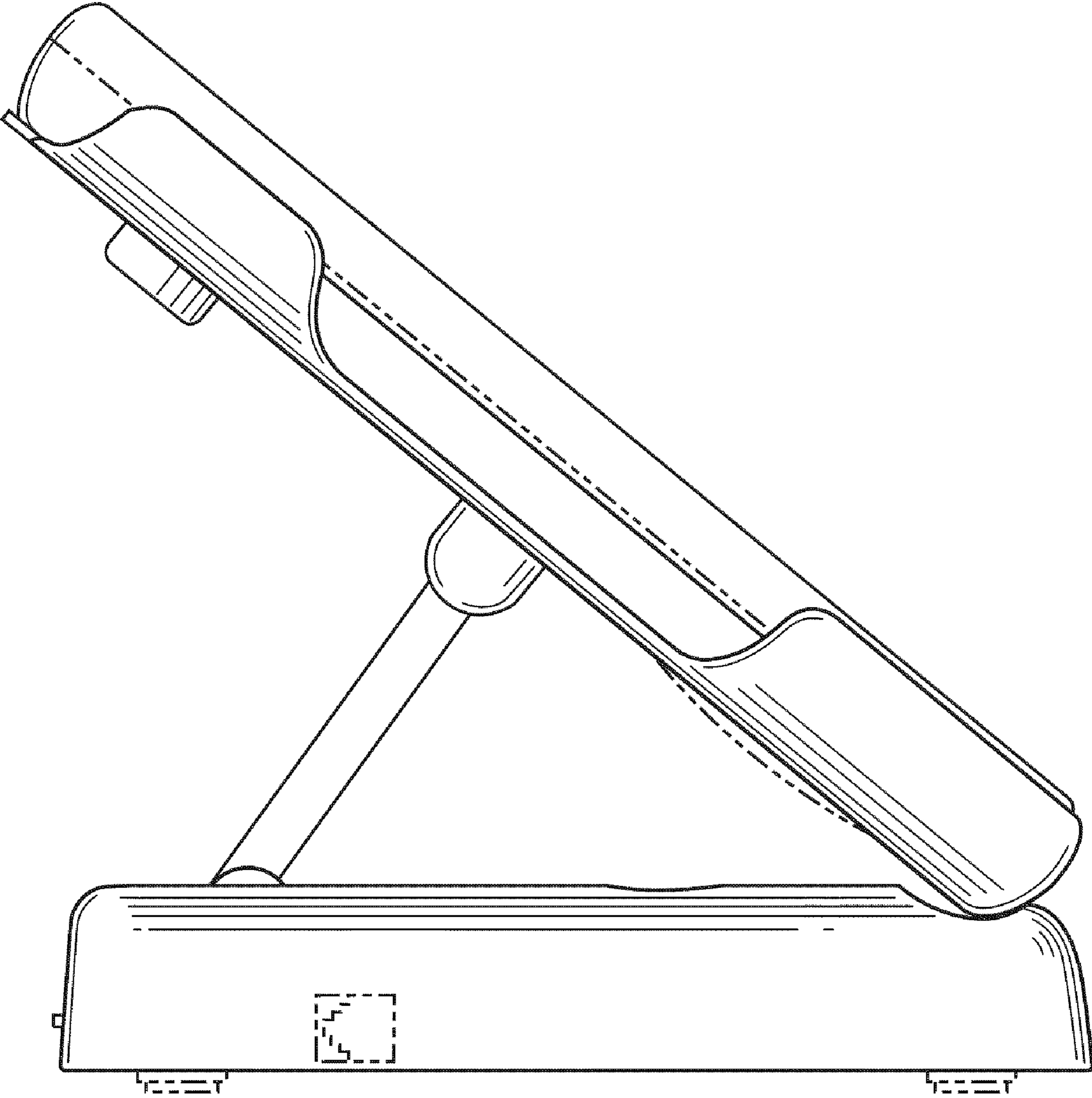


Fig. 2

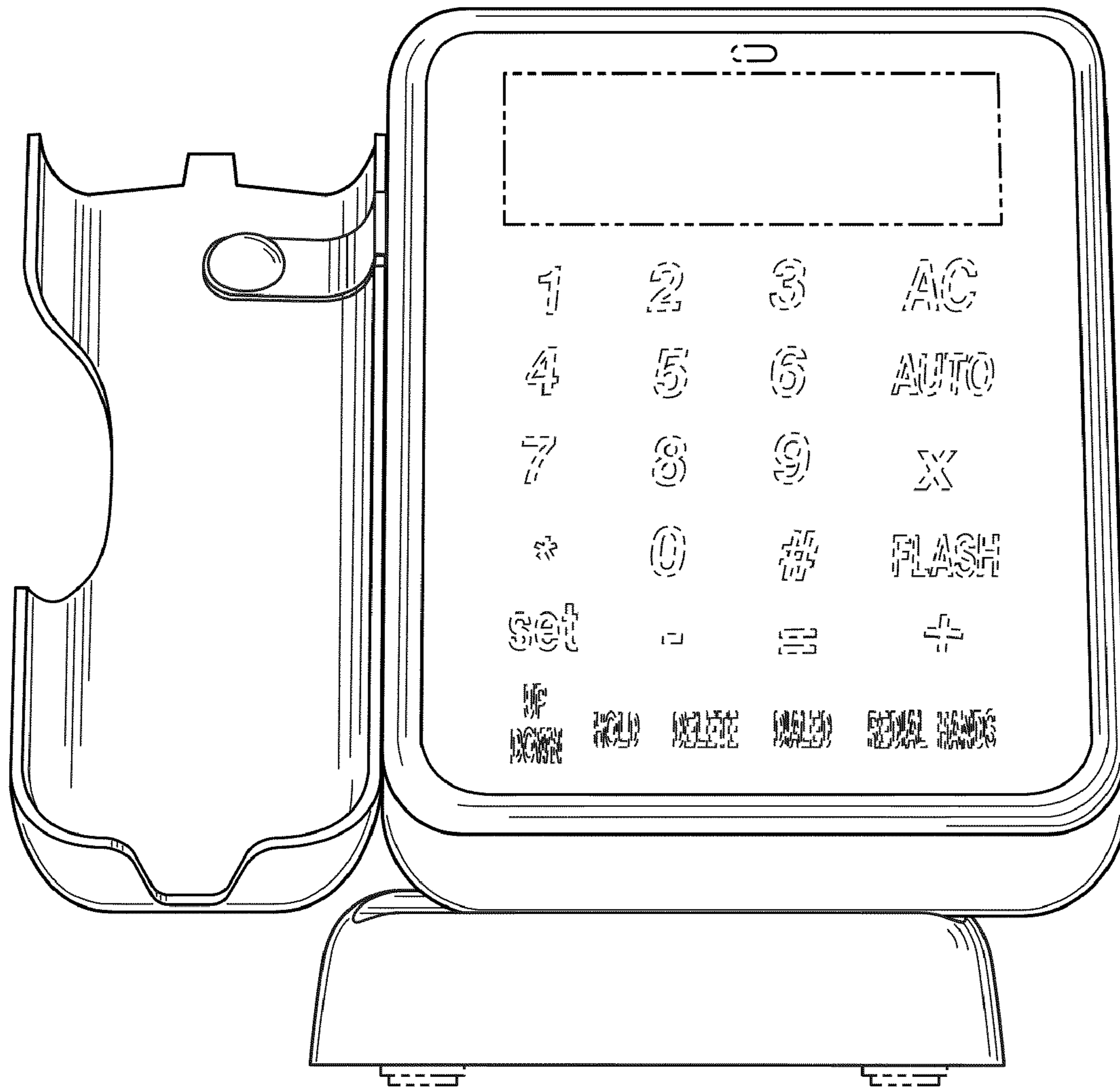


Fig. 3

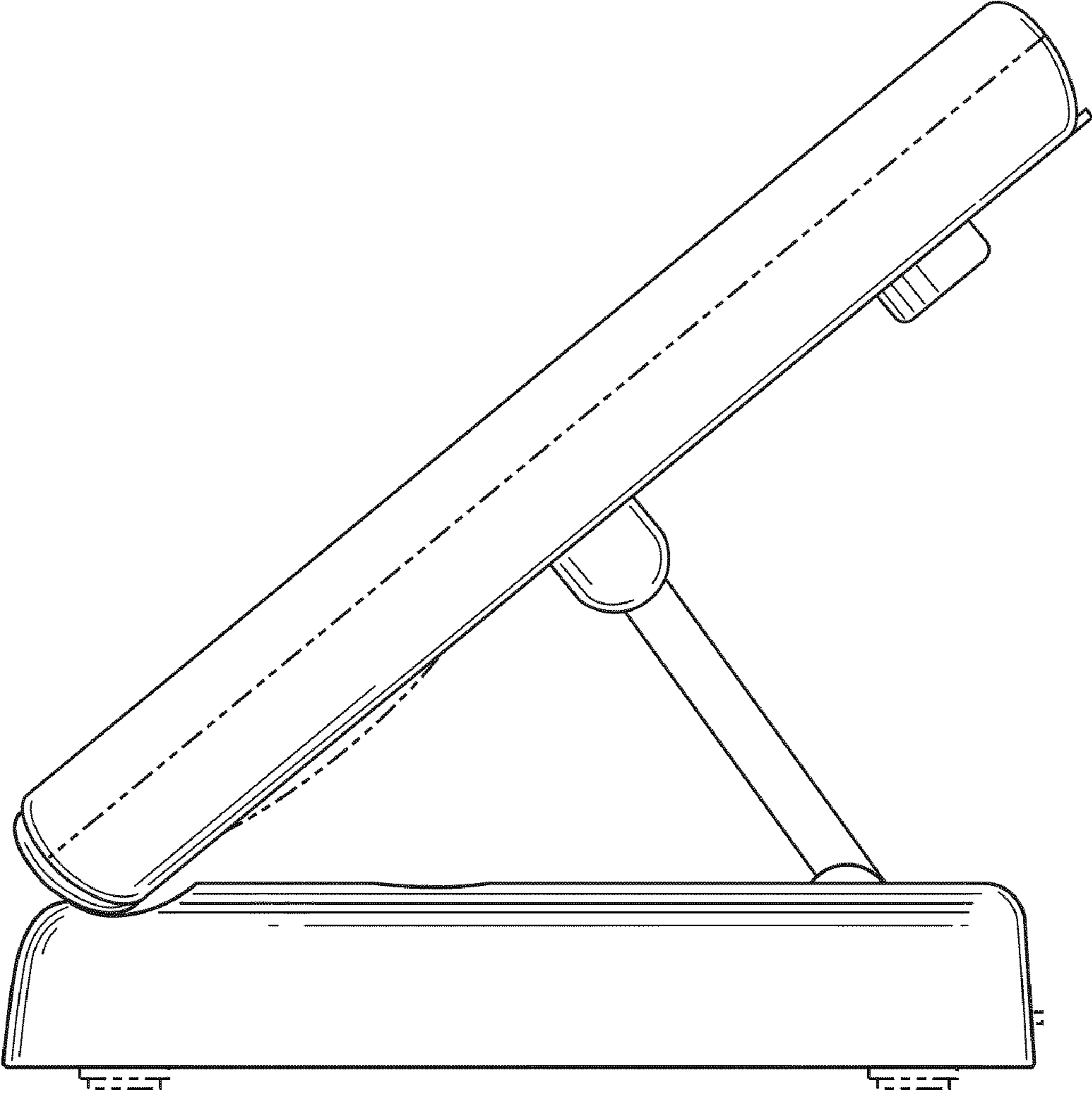


Fig. 4

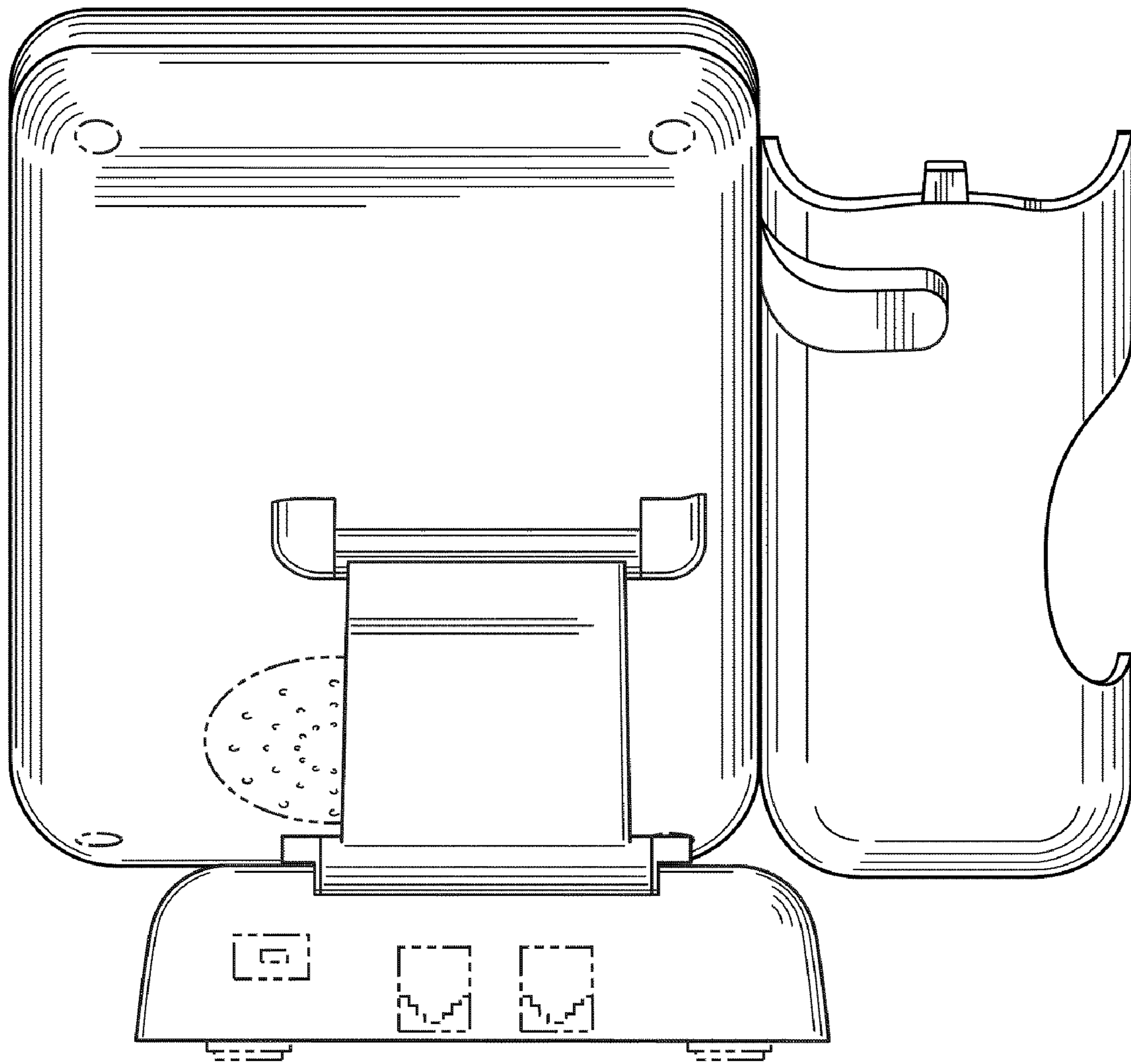


Fig. 5

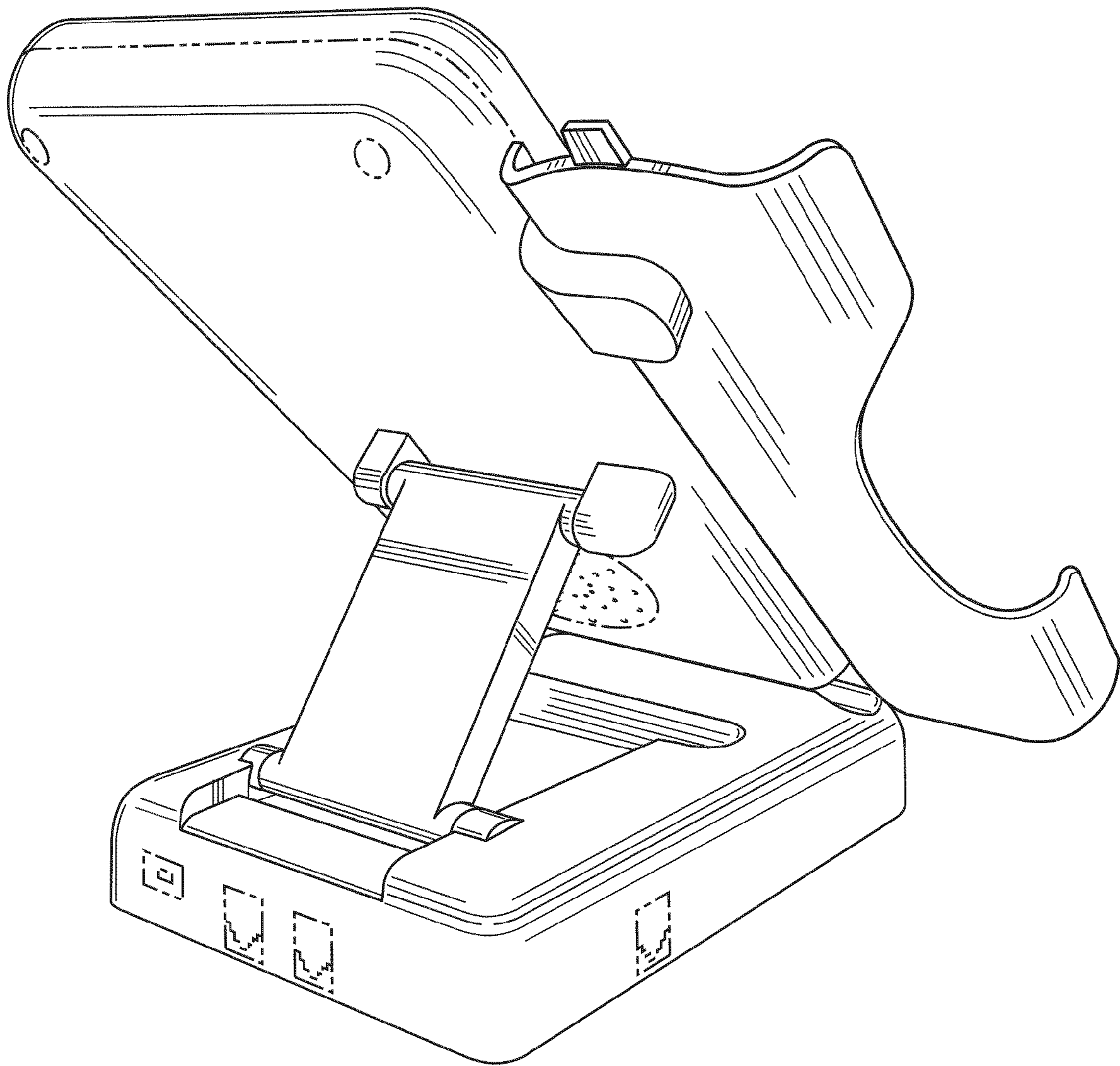


Fig. 6

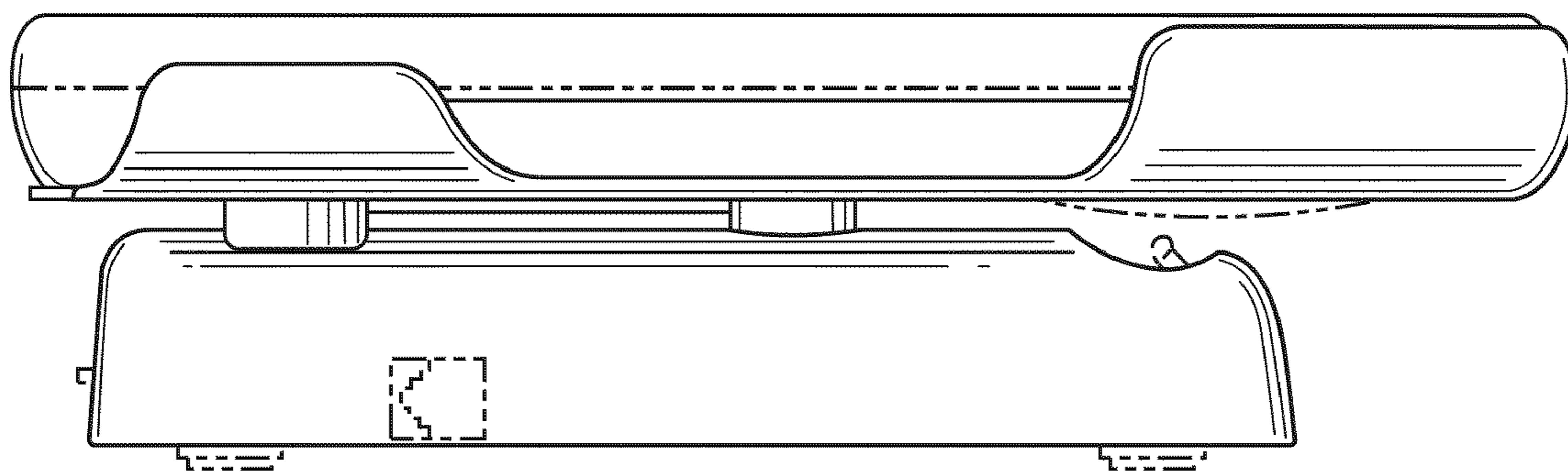


Fig. 7

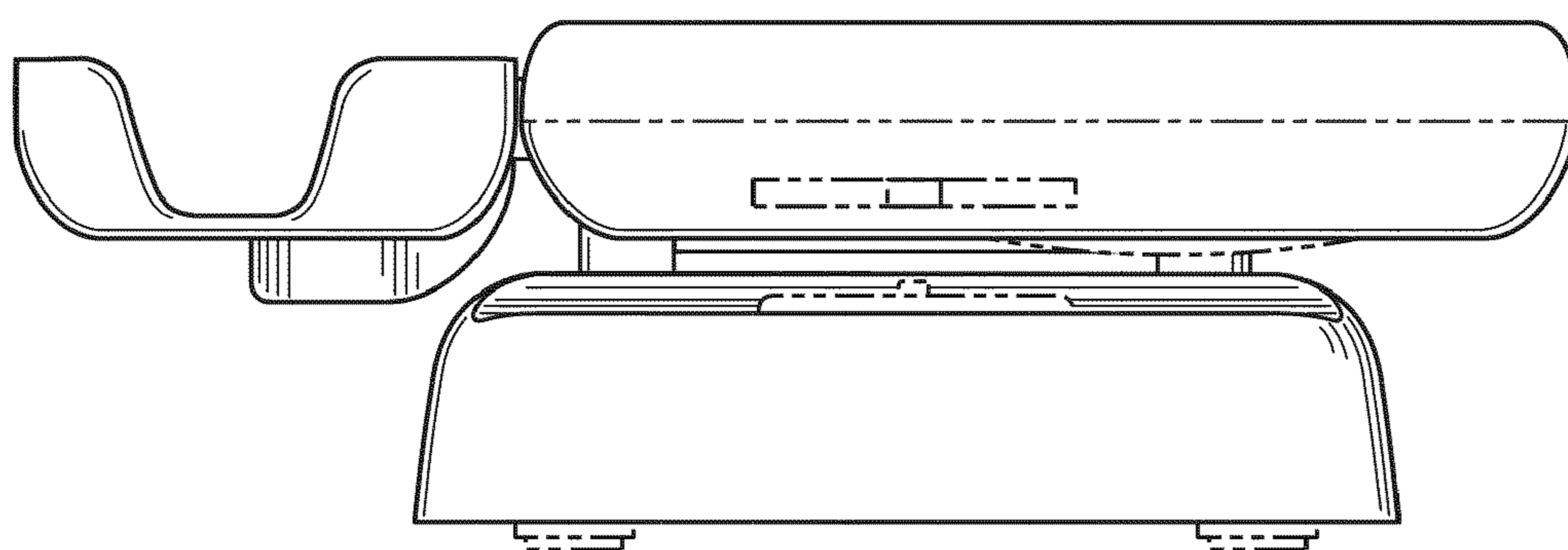


Fig. 8

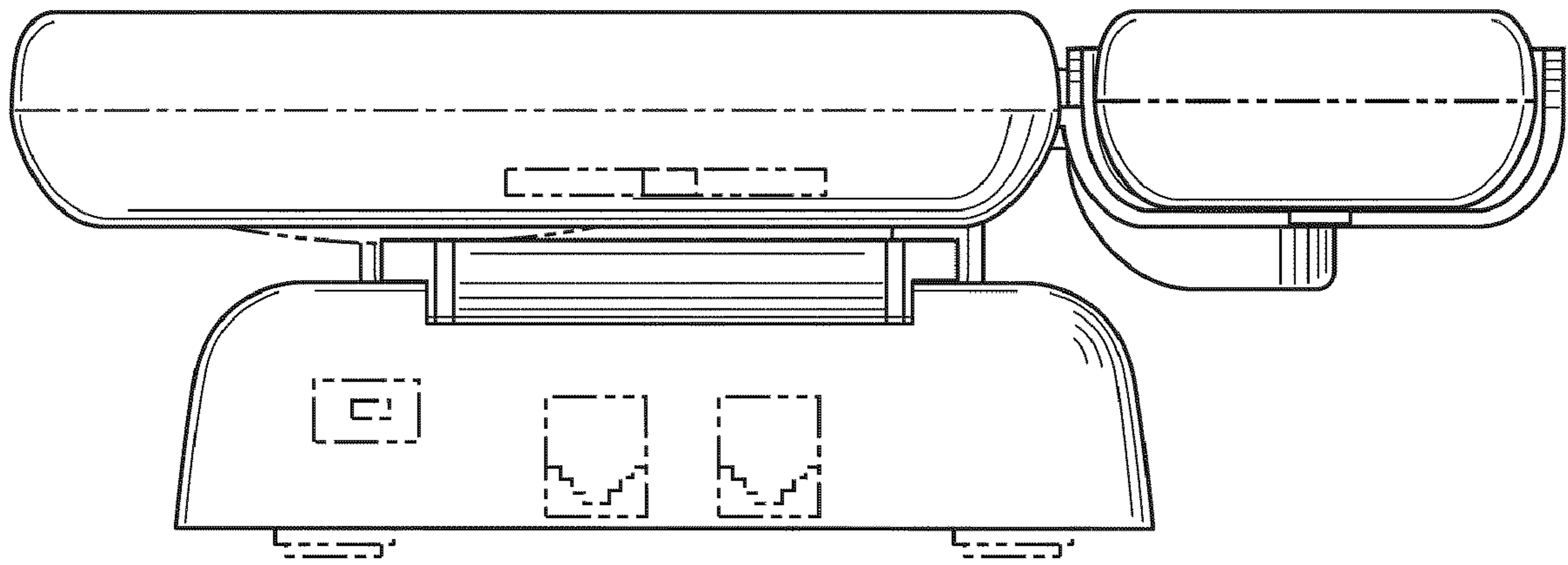


Fig. 9

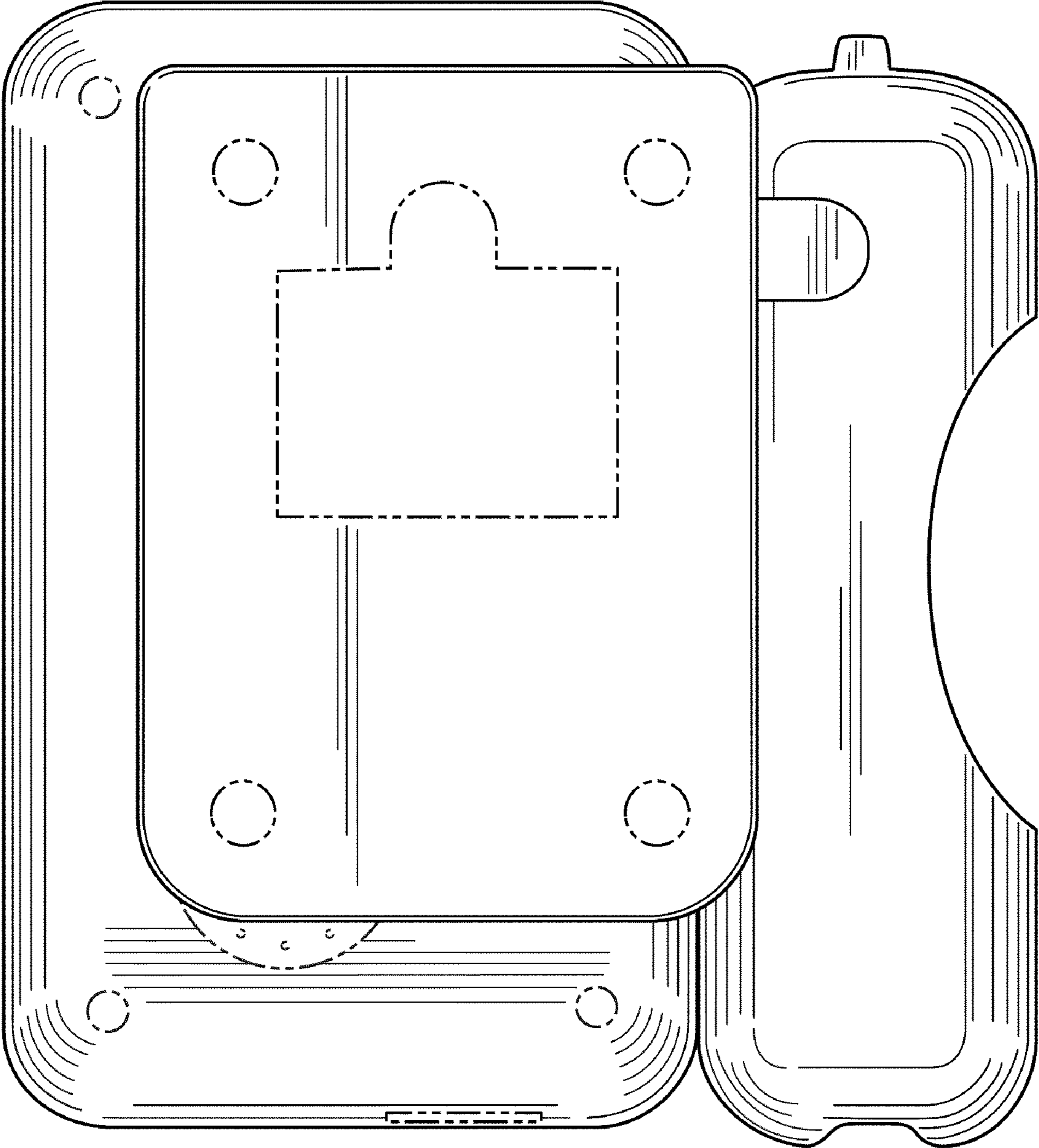


Fig. 10