



US00D609683S

(12) **United States Design Patent**
Li

(10) **Patent No.:** **US D609,683 S**

(45) **Date of Patent:** **** Feb. 9, 2010**

(54) **MOBILE PHONE**

(75) Inventor: **Jian-Hui Li**, Shenzhen (CN)

(73) Assignee: **FIH (Hong Kong) Limited**, Kowloon (HK)

(**) Term: **14 Years**

(21) Appl. No.: **29/334,870**

(22) Filed: **Apr. 3, 2009**

(30) **Foreign Application Priority Data**

Feb. 27, 2009 (CN) 2009 3 0300848

(51) **LOC (9) Cl.** **14-03**

(52) **U.S. Cl.** **D14/138 AC; D14/138 AA**

(58) **Field of Classification Search** D14/138 R,
D14/138 AD, 138 AC, 138 C, 138 G, 191,
D14/203.1–203.8, 496, 138 AA, 138 AB,
D14/247–248, 137, 147, 218, 341–347;
D10/65, 78, 104; D13/168; D18/7; 455/566,
455/575.1, 575.3

See application file for complete search history.

(56) **References Cited**

U.S. PATENT DOCUMENTS

D246,295 S *	11/1977	Lewis	D11/133
D291,693 S *	9/1987	Yoshiharu	D14/143
D323,792 S *	2/1992	Scotti	D11/84
D340,306 S *	10/1993	Friend et al.	D26/73
D370,786 S *	6/1996	Eisenbraun	D6/303
D375,428 S *	11/1996	Gall et al.	D6/601
6,151,823 A *	11/2000	Gregory-Gillman	40/661
D447,932 S *	9/2001	Kelleghan	D8/356
D449,147 S *	10/2001	Herwig	D1/112
D470,991 S *	2/2003	Goldstein	D99/5
D483,685 S *	12/2003	Pachauer	D11/56
D487,065 S *	2/2004	Murray	D13/168
D498,219 S *	11/2004	Hamann	D14/138 AA
D516,530 S *	3/2006	Boyd	D14/138 AA
D519,489 S *	4/2006	Joseph	D14/191
D519,983 S *	5/2006	Tompkins et al.	D14/191
D541,783 S *	5/2007	Lee	D14/138 AA

D543,181 S *	5/2007	Ra	D14/138 AB
D561,730 S *	2/2008	Deubler et al.	D14/138 AA
D573,119 S *	7/2008	Akagawa	D14/138 AB
D577,074 S *	9/2008	Sand	D19/91
D577,385 S *	9/2008	Sand	D19/91
D585,433 S *	1/2009	Baker	D14/223
2003/0013420 A1 *	1/2003	Redmond	455/100

(Continued)

OTHER PUBLICATIONS

Philips 350, announced 3rd quarter 2003, [online], [retrieved on Sep. 22, 2009]. Retrieved from Internet ,<URL: <http://www.gsmarena.com>>.*

(Continued)

Primary Examiner—Jeffrey D Asch

Assistant Examiner—Bridget L Eland

(74) *Attorney, Agent, or Firm*—Steven M. Reiss

(57) **CLAIM**

The ornamental design for a mobile phone, as shown and described.

DESCRIPTION

FIG. 1 is a front perspective view of a mobile phone showing my new design;

FIG. 2 is a front elevational view thereof;

FIG. 3 is a rear elevational view thereof;

FIG. 4 is a left side elevational view thereof;

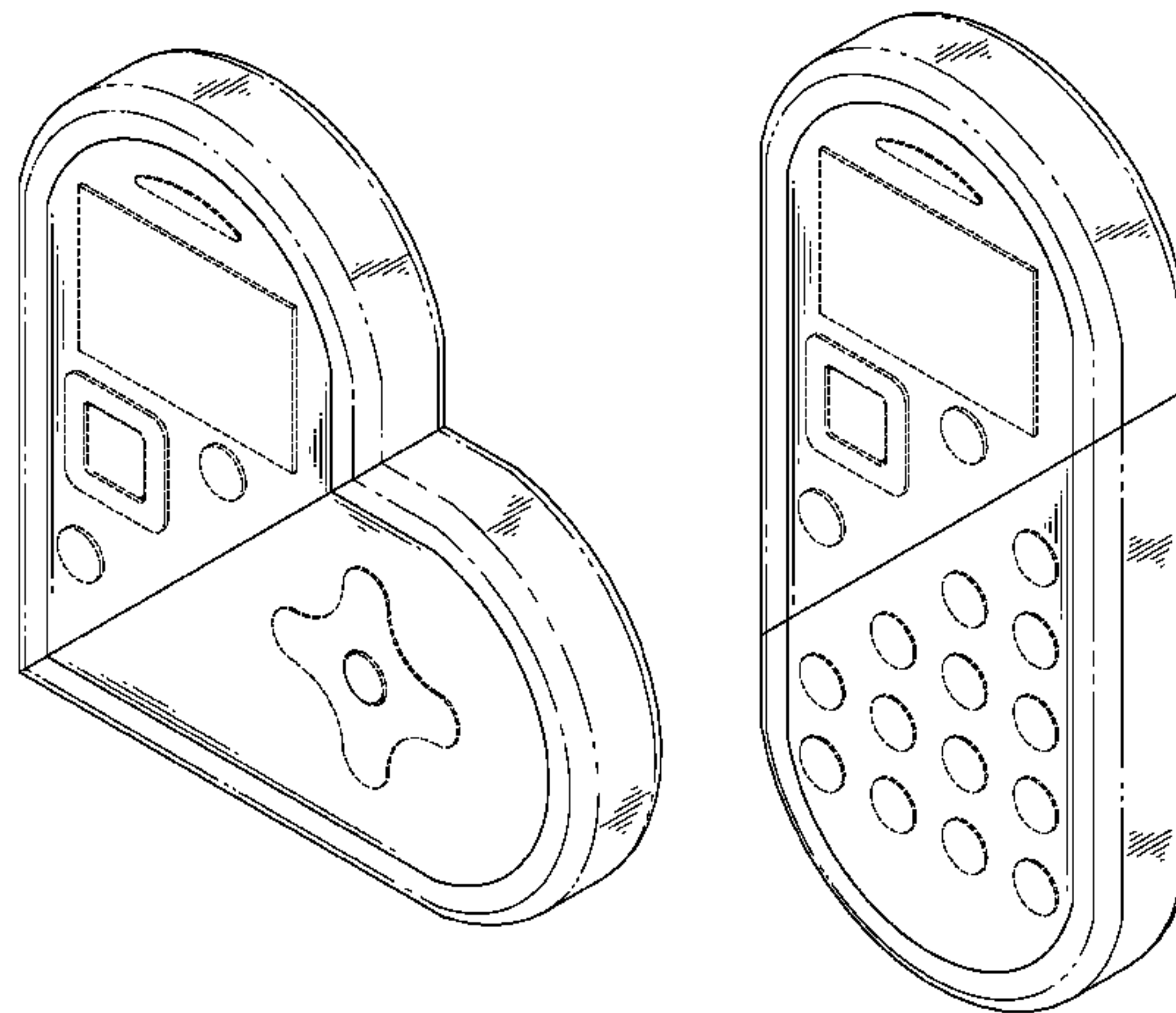
FIG. 5 is a right side elevational view thereof;

FIG. 6 is a top plan view thereof;

FIG. 7 is a bottom plan view thereof; and,

FIG. 8 is a perspective view of the mobile phone of FIG. 1 in an in-use position.

The broken lines immediately adjacent the shaded areas represent the bounds of the claimed design while all other broken lines are directed to environment and are for illustrative purposes only; the broken lines form no part of the claimed design.



1 Claim, 8 Drawing Sheets

U.S. PATENT DOCUMENTS

2003/0125094 A1* 7/2003 Hyun et al. 455/566
2005/0064917 A1* 3/2005 Peng et al. 455/575.1

OTHER PUBLICATIONS

Motorola ROKR E2, announced Jan. 2006, [online], [retrieved on Sep. 22, 2009]. Retrieved from Internet ,<URL: <http://www.gsmarena.com>>.*

Motorola C205, announced 1st quarter 2004, [online], [retrieved on Sep. 22, 2009]. Retrieved from Internet ,<URL: <http://www.gsmarena.com>>.*

Motorola C200, announced 3rd quarter 2003, [online], [retrieved on Sep. 22, 2009]. Retrieved from Internet ,<URL: <http://www.gsmarena.com>>.*

Motorola E360, announced Oct. 2002, [online], [retrieved on Sep. 22, 2009]. Retrieved from Internet ,<URL: <http://www.gsmarena.com>>.*

Motorola Aura, announced Oct. 2008, [online], [retrieved on Nov. 8, 2008]. Retrieved from Internet ,<URL: <http://www.gsmarena.com>>.*

Siemens Xelibri 1, announced 2nd quarter 2003, [online], [retrieved on Sep. 22, 2009]. Retrieved from Internet ,<URL: <http://www.gsmarena.com>>.*

Haier M600 Black Pearl, announced 3rd quarter 2006, [online], [retrieved on Sep. 22, 2009]. Retrieved from Internet ,<URL: <http://www.gsmarena.com>>.*

* cited by examiner

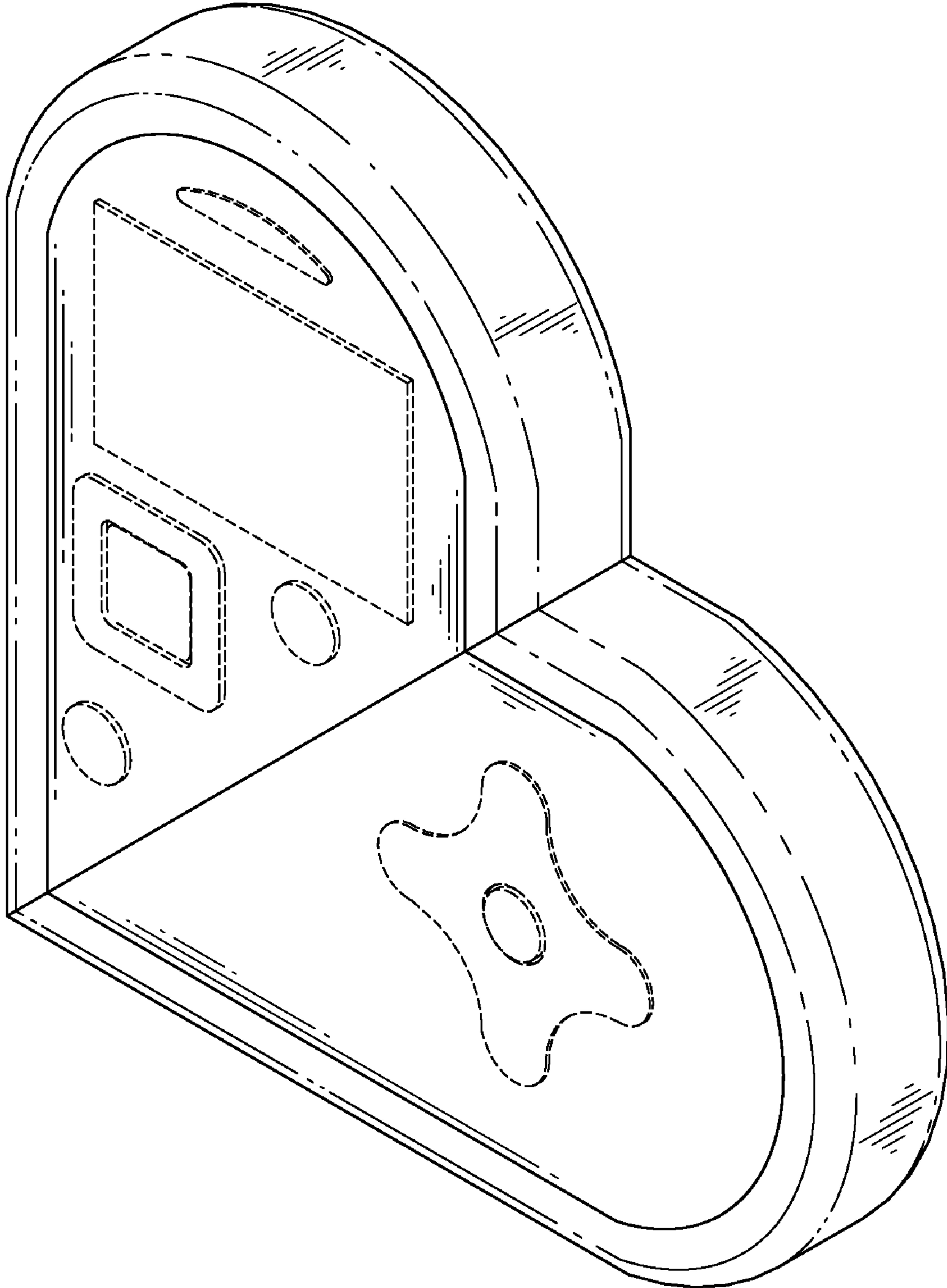


FIG. 1

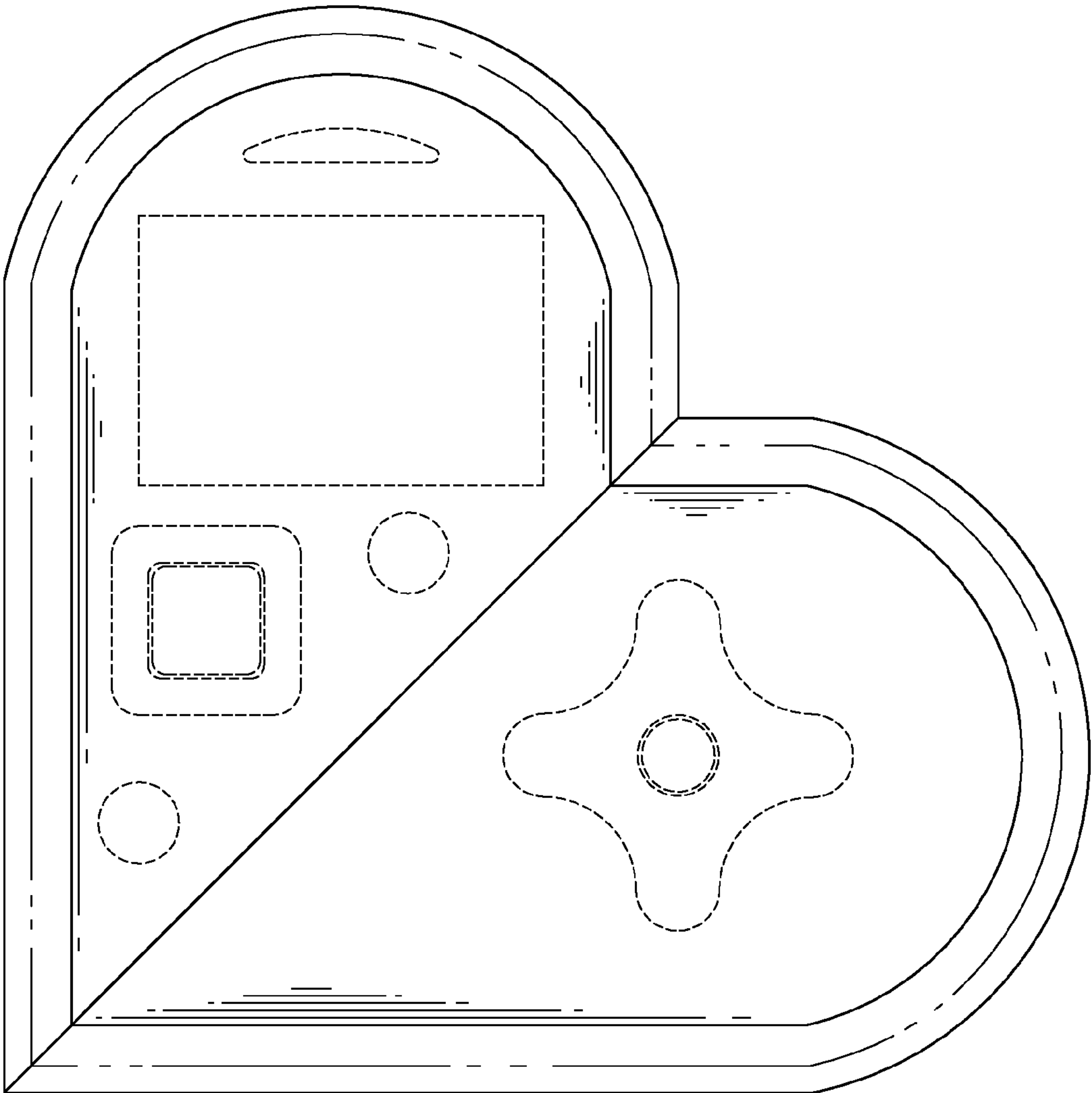


FIG. 2

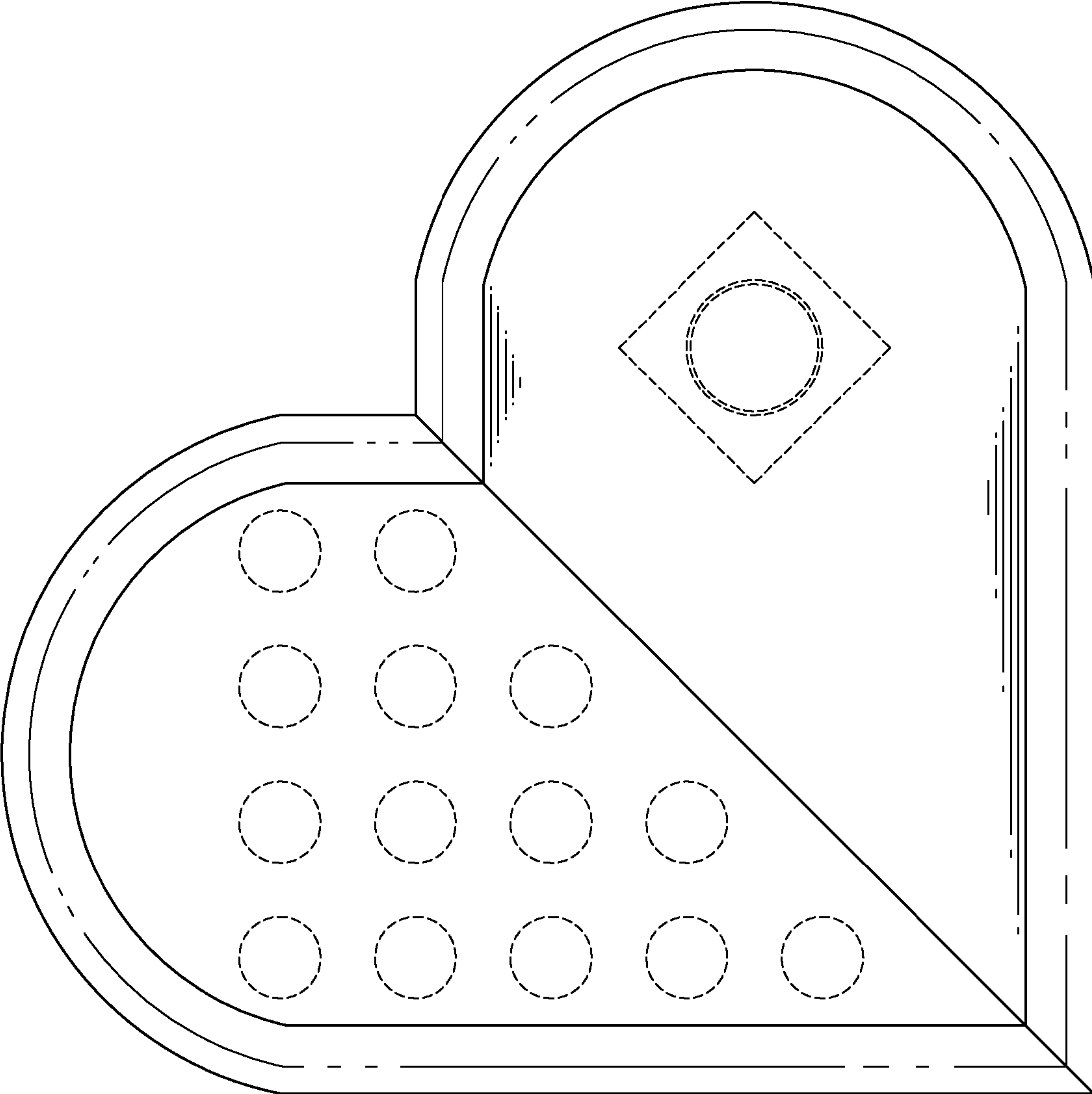


FIG. 3

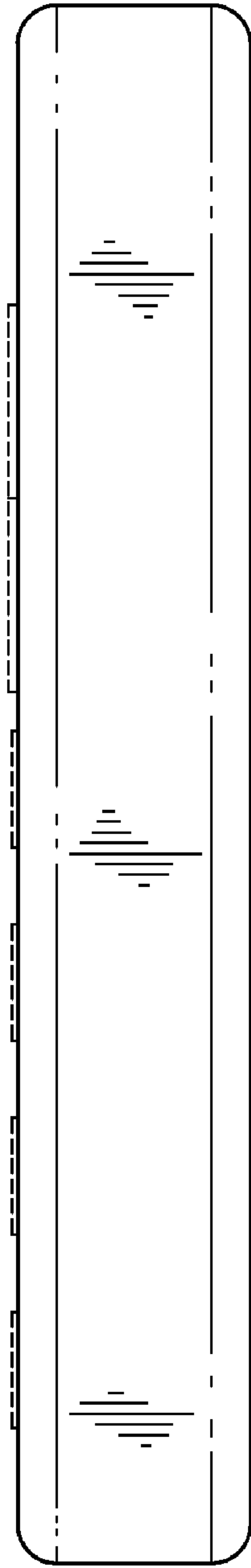


FIG. 4

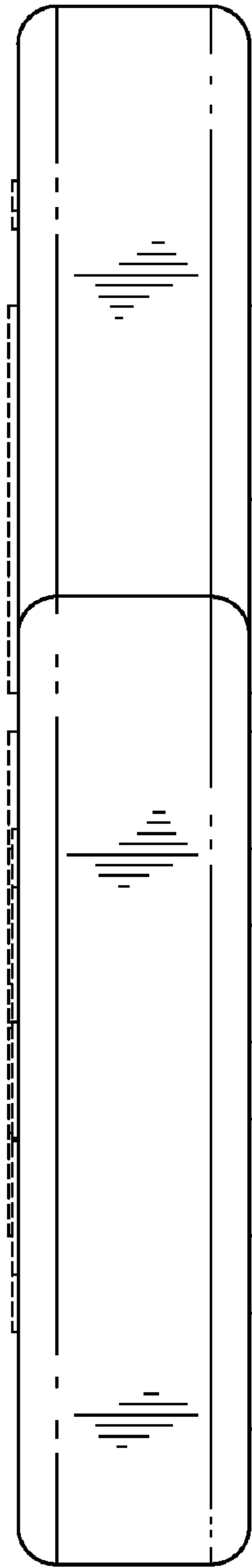


FIG. 5

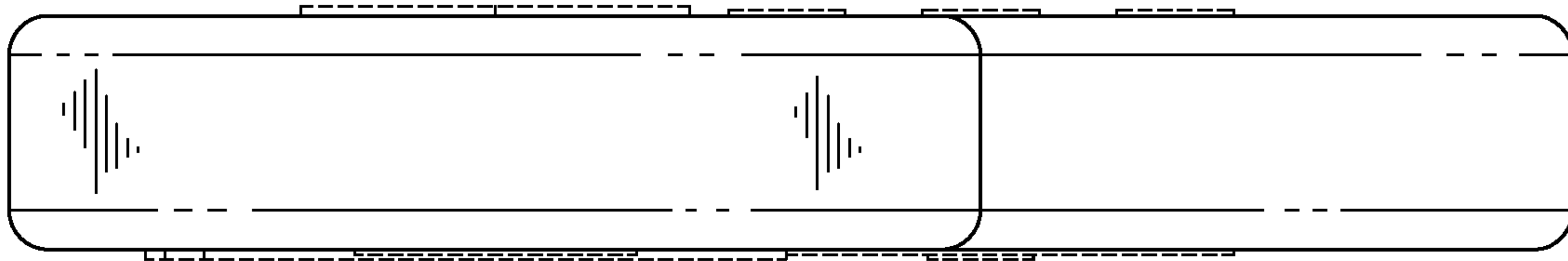


FIG. 6

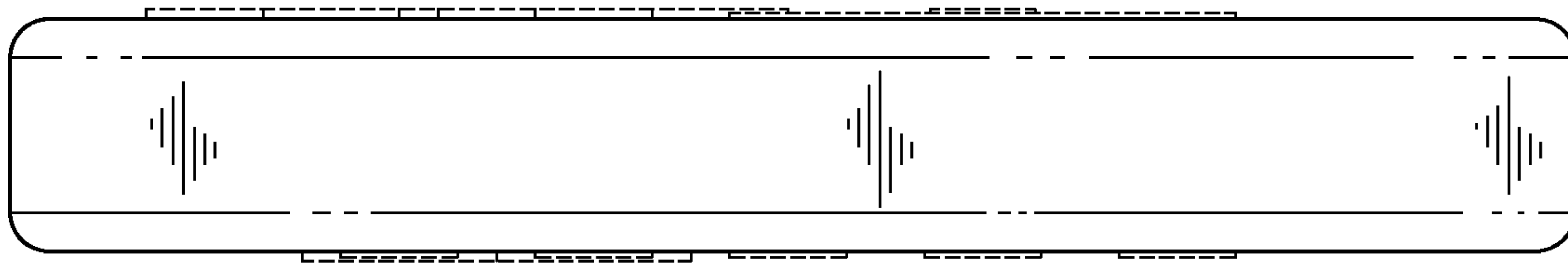


FIG. 7

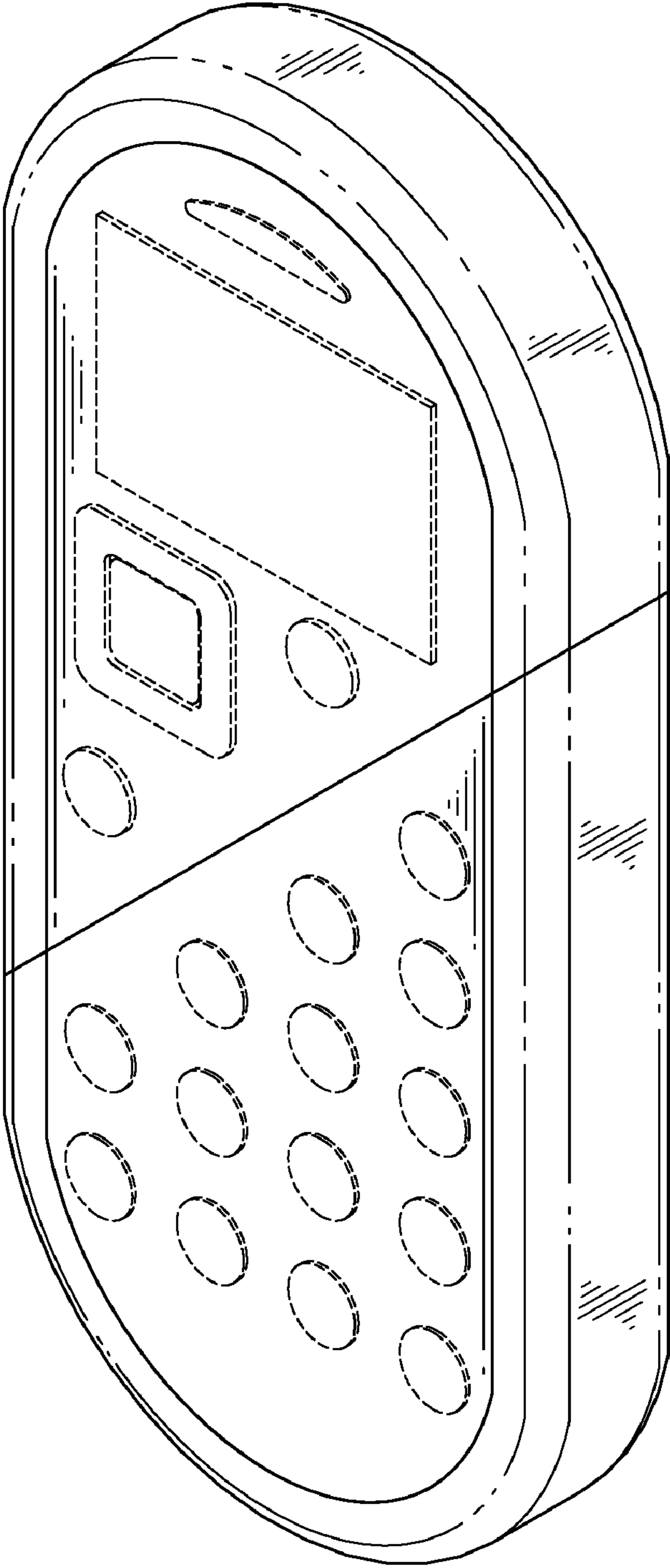


FIG. 8