



US00D609682S

(12) **United States Design Patent**
Jung et al.

(10) **Patent No.:** **US D609,682 S**
(45) **Date of Patent:** **** Feb. 9, 2010**

(54) **COMMUNICATION DEVICE**

(75) Inventors: **Doo Hee Jung**, Seoul (KR); **Ju Hwan J Cho**, Seoul (KR); **Sung-Gul Hwang**, Seoul (KR); **Ho Yeon Won**, Seoungnam-si (KR)

(73) Assignee: **Motorola, Inc.**, Schaumburg, IL (US)

(**) Term: **14 Years**

(21) Appl. No.: **29/334,864**

(22) Filed: **Apr. 3, 2009**

(51) **LOC (9) Cl.** **14-03**

(52) **U.S. Cl.** **D14/138 AA**

(58) **Field of Classification Search** D14/138 AA,
D14/138 R, 138 AD, 341-347; 455/575.1,
455/575.4, 556.2

See application file for complete search history.

(56) **References Cited**

U.S. PATENT DOCUMENTS

D498,735 S * 11/2004 Chen et al. D14/138 AA
D514,079 S * 1/2006 Lai D14/138 AA
D515,058 S * 2/2006 Boyd D14/138 AA

(Continued)

OTHER PUBLICATIONS

Nokia 5730 XpressMusic telephone, announced Mar. 2009, [online], [site visited Aug. 19, 2009]. Available from Internet, <URL: <http://www.gsmarena.com>>.*

(Continued)

Primary Examiner—Jeffrey D Asch

(57) **CLAIM**

The ornamental design for a communication device, as shown and described.

DESCRIPTION

FIG. 1 is a front perspective view of a first embodiment of an ornamental design for a communication device;

FIG. 2 is a rear perspective view of a first embodiment of an ornamental design for a communication device;

FIG. 3 is a front view of the first embodiment thereof;

FIG. 4 is a rear view of the first embodiment thereof;

FIG. 5 is a first side view of the first embodiment thereof;

FIG. 6 is a second side view of the first embodiment thereof;

FIG. 7 is a top view of the first embodiment thereof; and

FIG. 8 is a bottom view of the first embodiment thereof.

FIG. 9 is a front perspective view of a second embodiment of an ornamental design for a communication device;

FIG. 10 is a rear perspective view of a second embodiment of an ornamental design for a communication device;

FIG. 11 is a front view of the second embodiment thereof;

FIG. 12 is a rear view of the second embodiment thereof;

FIG. 13 is a first side view of the second embodiment thereof;

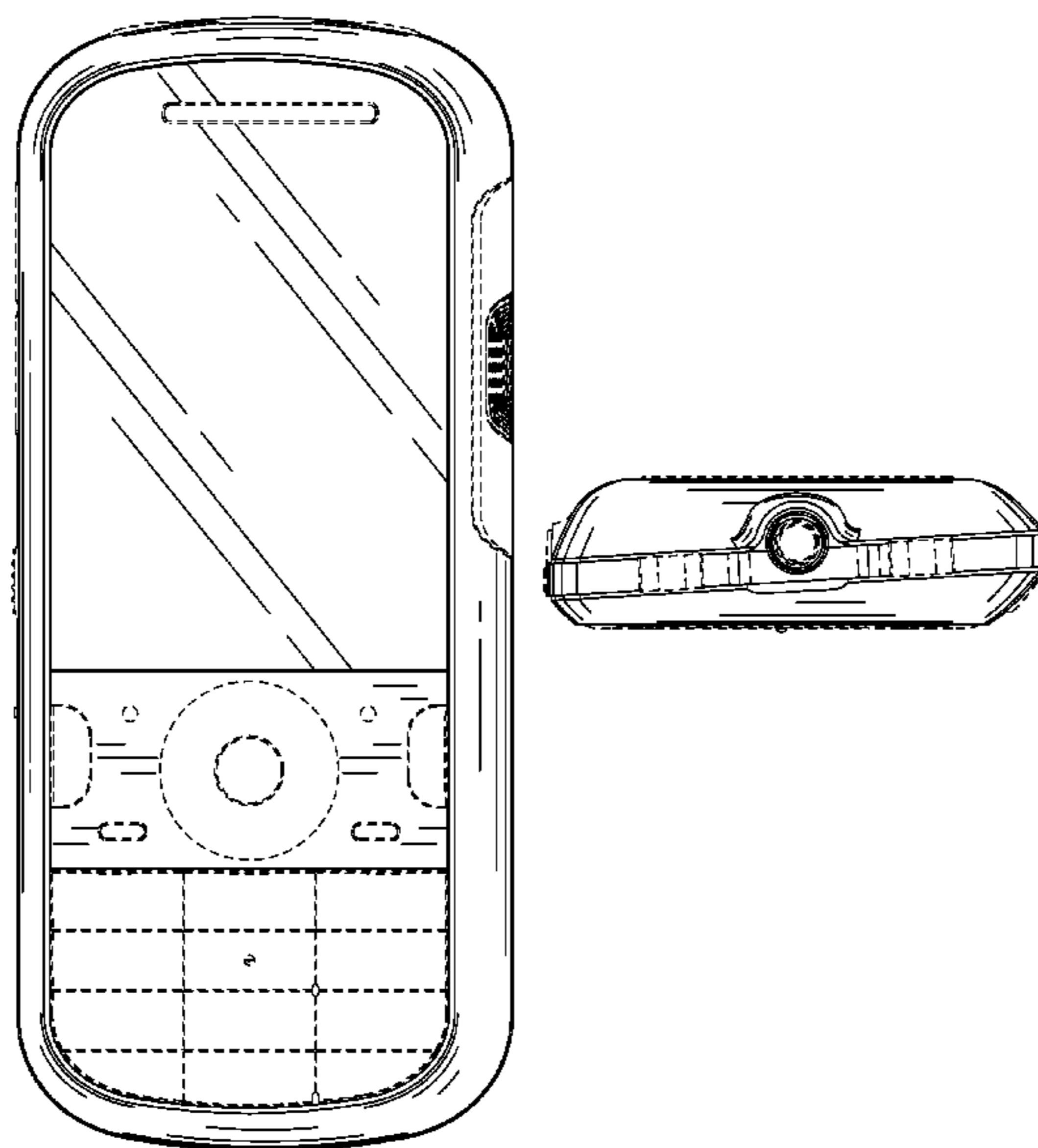
FIG. 14 is a second side view of the second embodiment thereof;

FIG. 15 is a top view of the second embodiment thereof; and,

FIG. 16 is a bottom view of the second embodiment thereof.

The broken lines shown in FIGS. 1-8 that are immediately adjacent to the shaded areas and define unshaded regions, represent the bounds of the first embodiment, while all other broken lines are directed to environment and are for illustrative purposes only; the broken lines form no part of the first embodiment.

1 Claim, 12 Drawing Sheets



U.S. PATENT DOCUMENTS

D523,837	S	*	6/2006	Lee	D14/138 AA
D524,786	S	*	7/2006	Paradise et al.	D14/138 AA
D539,775	S	*	4/2007	Park et al.	D14/138 AA
D543,190	S	*	5/2007	Huang et al.	D14/138 AA
D545,800	S	*	7/2007	Ou et al.	D14/138 AA
D548,216	S	*	8/2007	Pan et al.	D14/138 AA
D560,635	S	*	1/2008	Kim et al.	D14/138 AA
D562,314	S	*	2/2008	Han et al.	D14/248
D570,839	S	*	6/2008	Hofer et al.	D14/341
D572,698	S	*	7/2008	Kim et al.	D14/138 AA
D573,970	S	*	7/2008	Park	D14/138 AA
D577,371	S	*	9/2008	Hu et al.	D14/496
D582,374	S	*	12/2008	Hu et al.	D14/138 AA
D583,352	S	*	12/2008	Son et al.	D14/138 AA
D588,087	S	*	3/2009	Stone	D14/138 AA
D589,925	S	*	4/2009	Shi	D14/138 AA
D589,953	S	*	4/2009	Turner	D14/248
D591,251	S	*	4/2009	Laine et al.	D14/138 AA
D593,052	S	*	5/2009	Hung	D14/138 AA
D593,987	S	*	6/2009	Lin	D14/138 AB
D598,419	S	*	8/2009	Shi	D14/138 AA
D598,885	S	*	8/2009	Kangasmaa et al. ..	D14/138 AA

OTHER PUBLICATIONS

Nokia 2700 classic telephone, announced Jan. 2009, [online], [site visited Aug. 19, 2009]. Available from Internet ,<URL: <http://www.gsmarena.com>>.*

Nokia 7310 Supernova telephone, announced Jun. 2008, [online], [site visited Aug. 19, 2009]. Available from Internet, <URL: <http://www.gsmarena.com>>.*

Nokia 5000 telephone, announced Apr. 2008, [online], [site visited Aug. 19, 2009]. Available from Internet, <URL: <http://www.gsmarena.com>>.*

Motorola W218 telephone, announced Mar. 2007, [online], [site visited Aug. 19, 2009]. Available from Internet ,<URL: <http://www.gsmarena.com>>.*

NEC e122 telephone, announced 4th quarter 2005, [online], [site visited Aug. 19, 2009]. Available from Internet ,<URL: <http://www.gsmarena.com>>.*

Sagem my150X telephone, announced Feb. 2006, [online], [site visited Aug. 19, 2009]. Available from Internet ,<URL: <http://www.gsmarena.com>>.*

Samsung T469 Gravity 2 telephone, announced Jul. 2009, [online], [site visited Aug. 19, 2009]. Available from Internet ,<URL: <http://www.gsmarena.com>>.*

U.S. Appl. No. 29/231,451, filed Jun. 3, 2005, in the name of Cheol Woo Park, entitled "Wireless Communication Device".

U.S. Appl. No. 29/328,301, filed Nov. 21, 2008, in the name of Thomas D. Boucquey, entitled "Communication Device".

U.S. Appl. No. 29/302,779, filed Jan. 24, 2008, in the name of Ik Sang Kim, entitled "Communication Device".

* cited by examiner

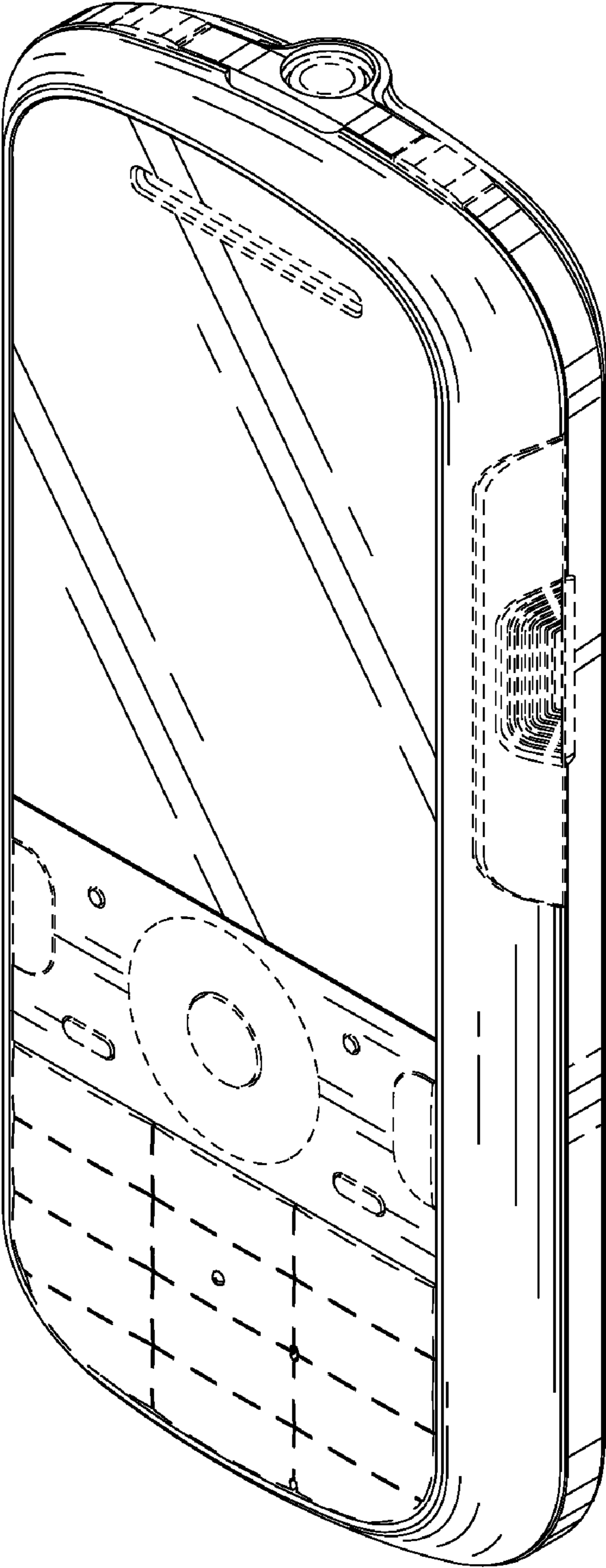


FIG. 1

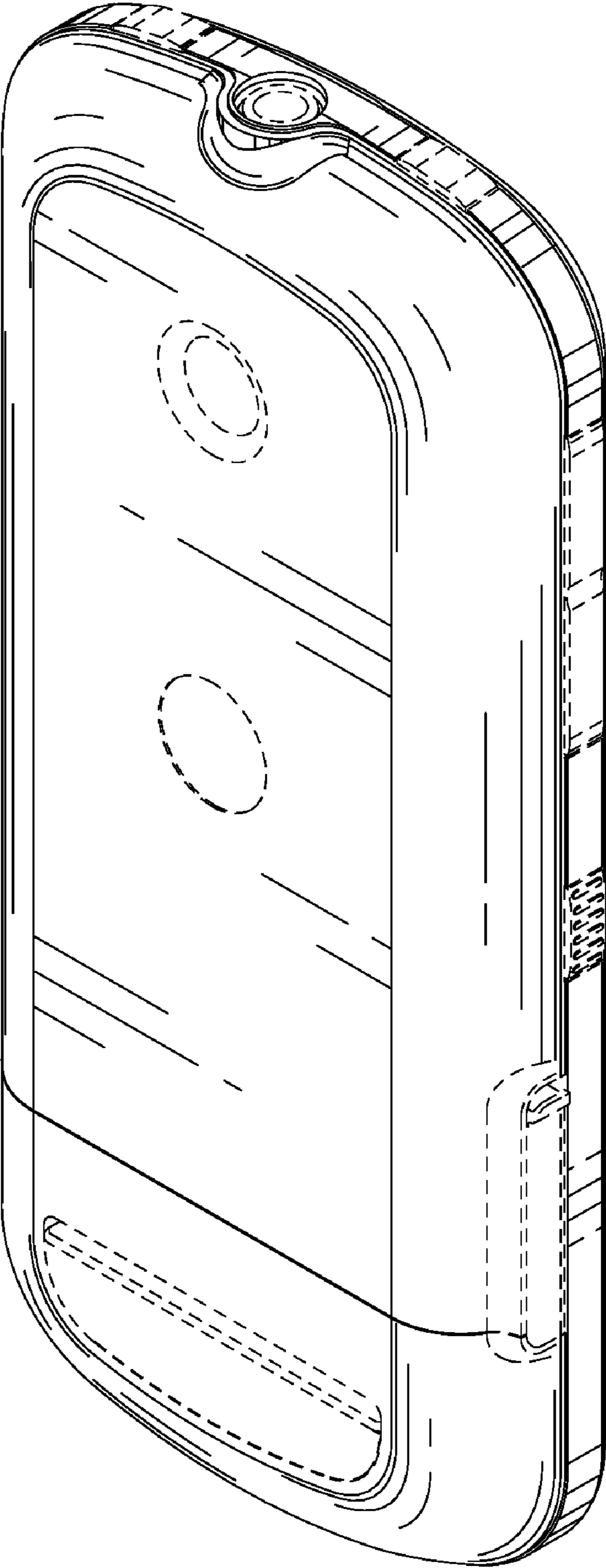


FIG. 2

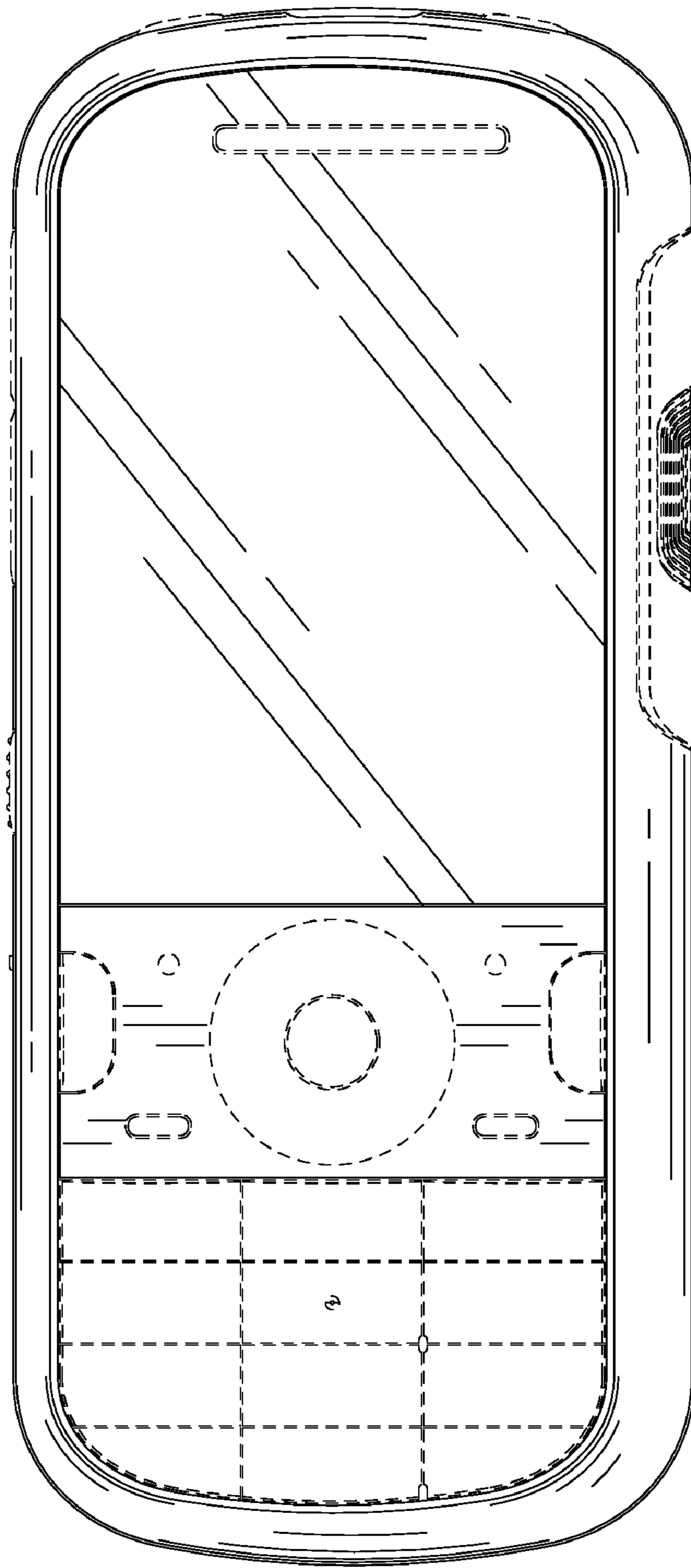


FIG. 3

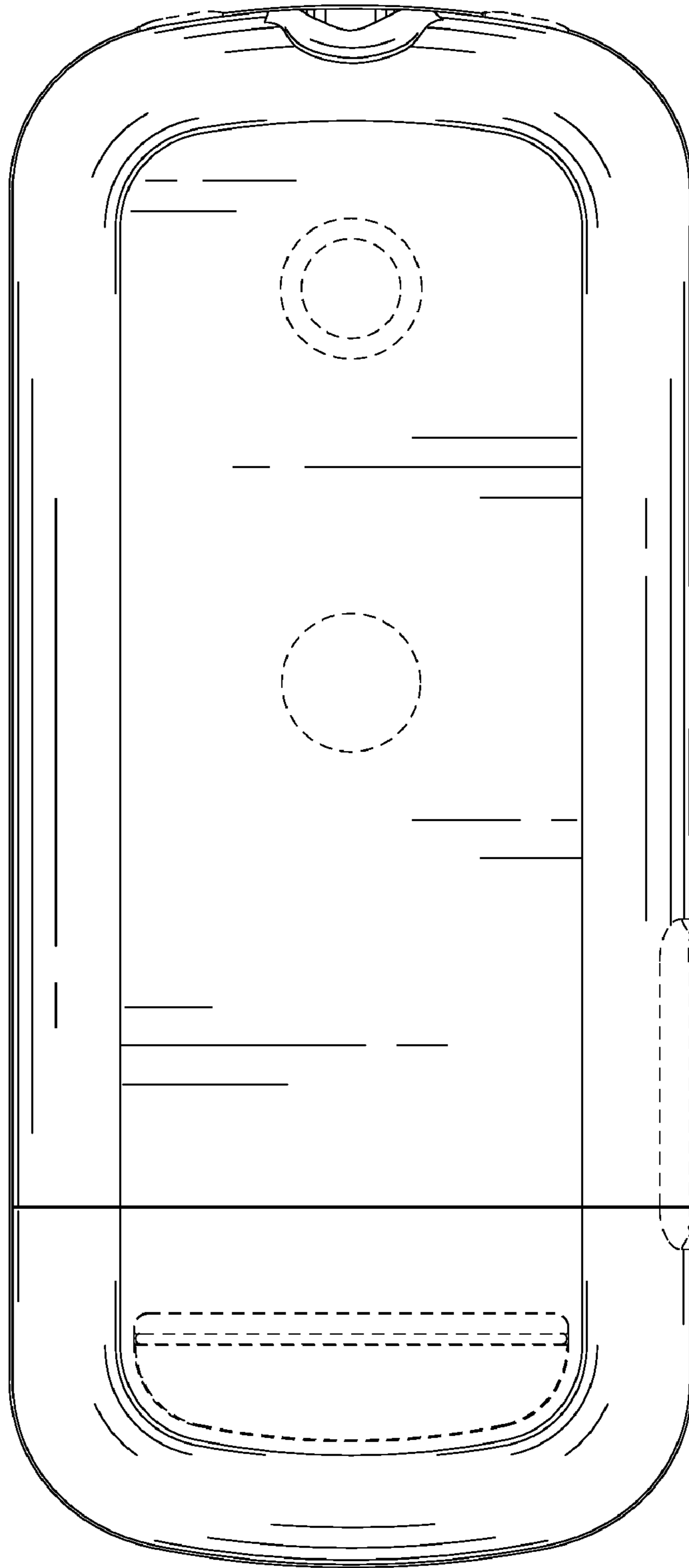


FIG. 4

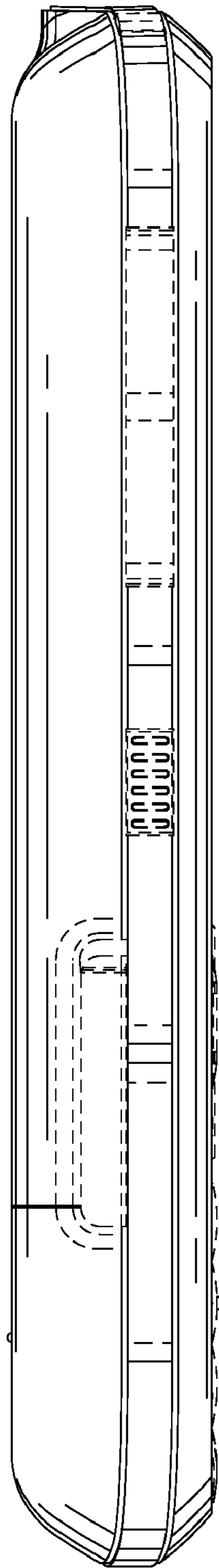


FIG. 5

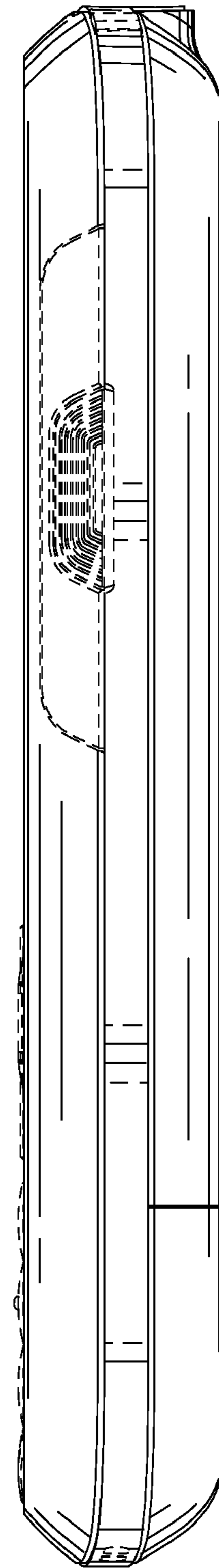


FIG. 6

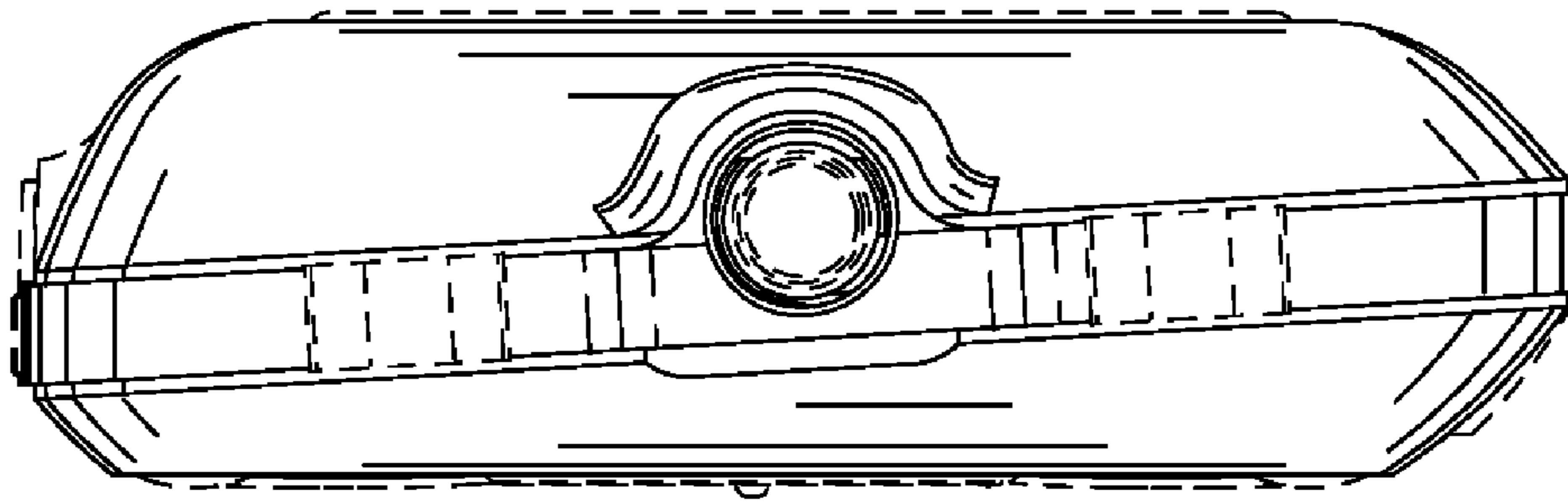


FIG. 7

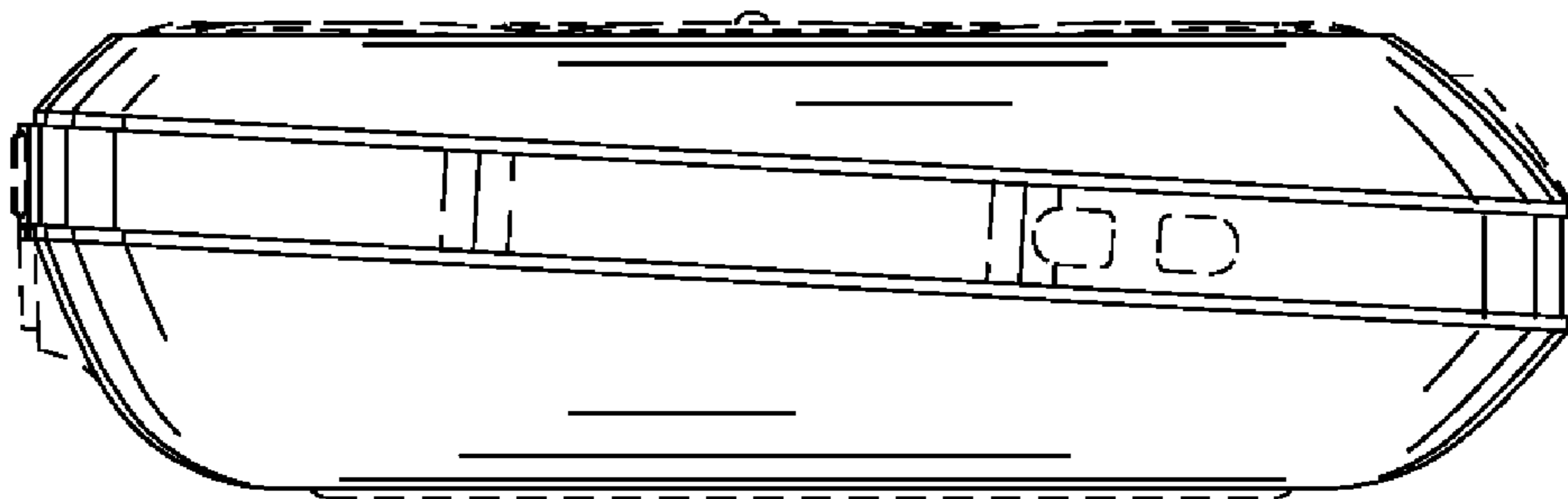


FIG. 8

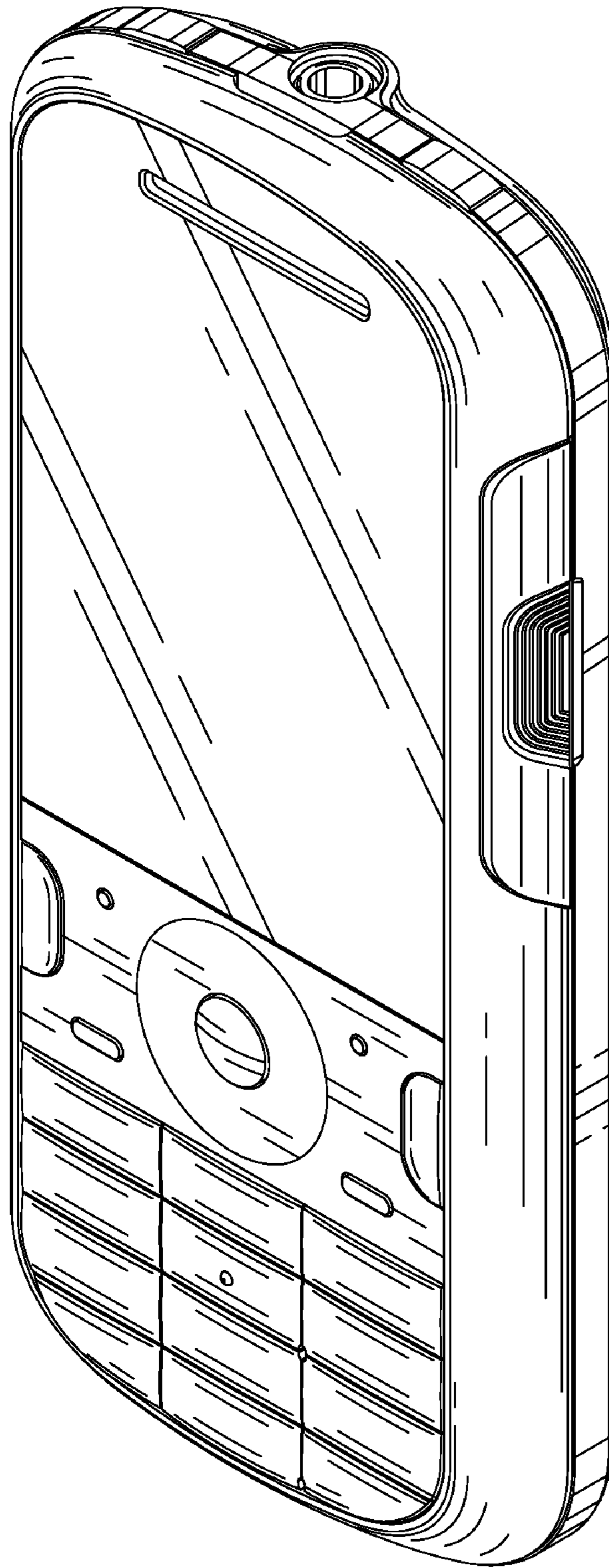


FIG. 9

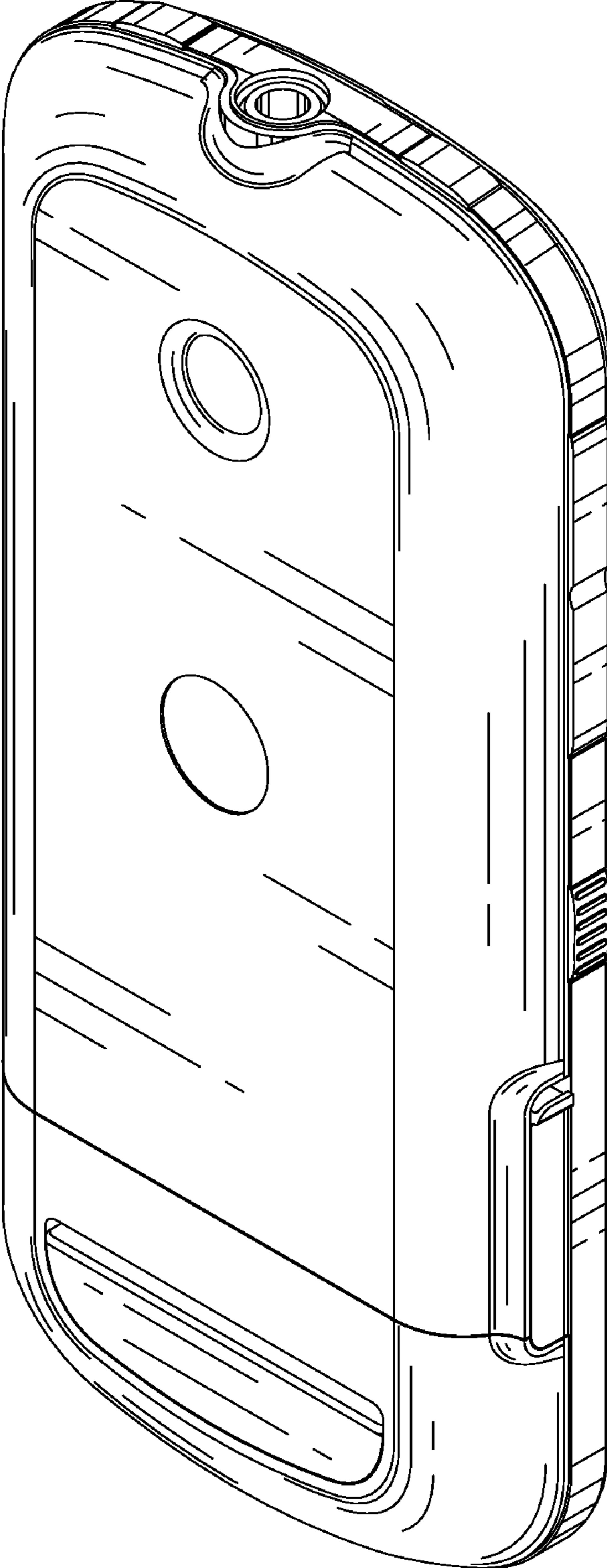


FIG. 10

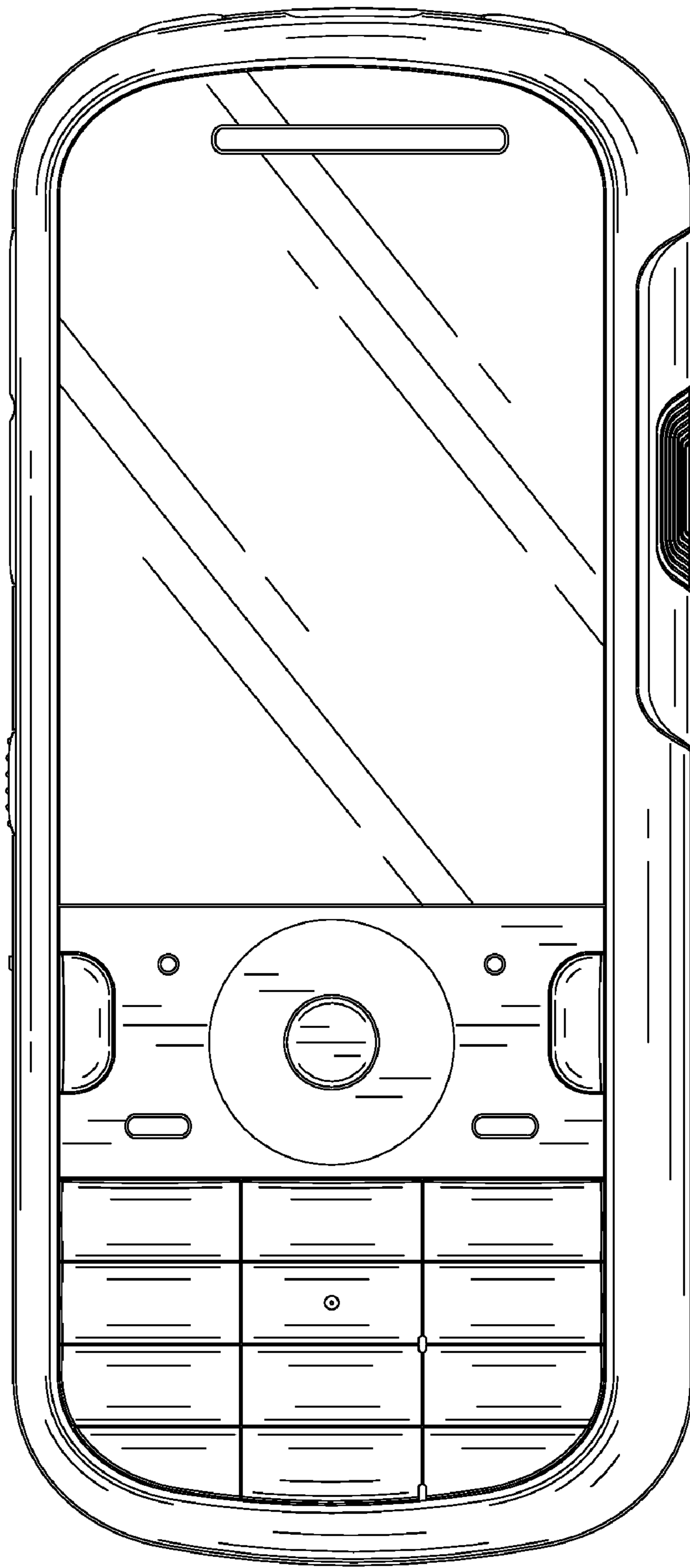


FIG. 11

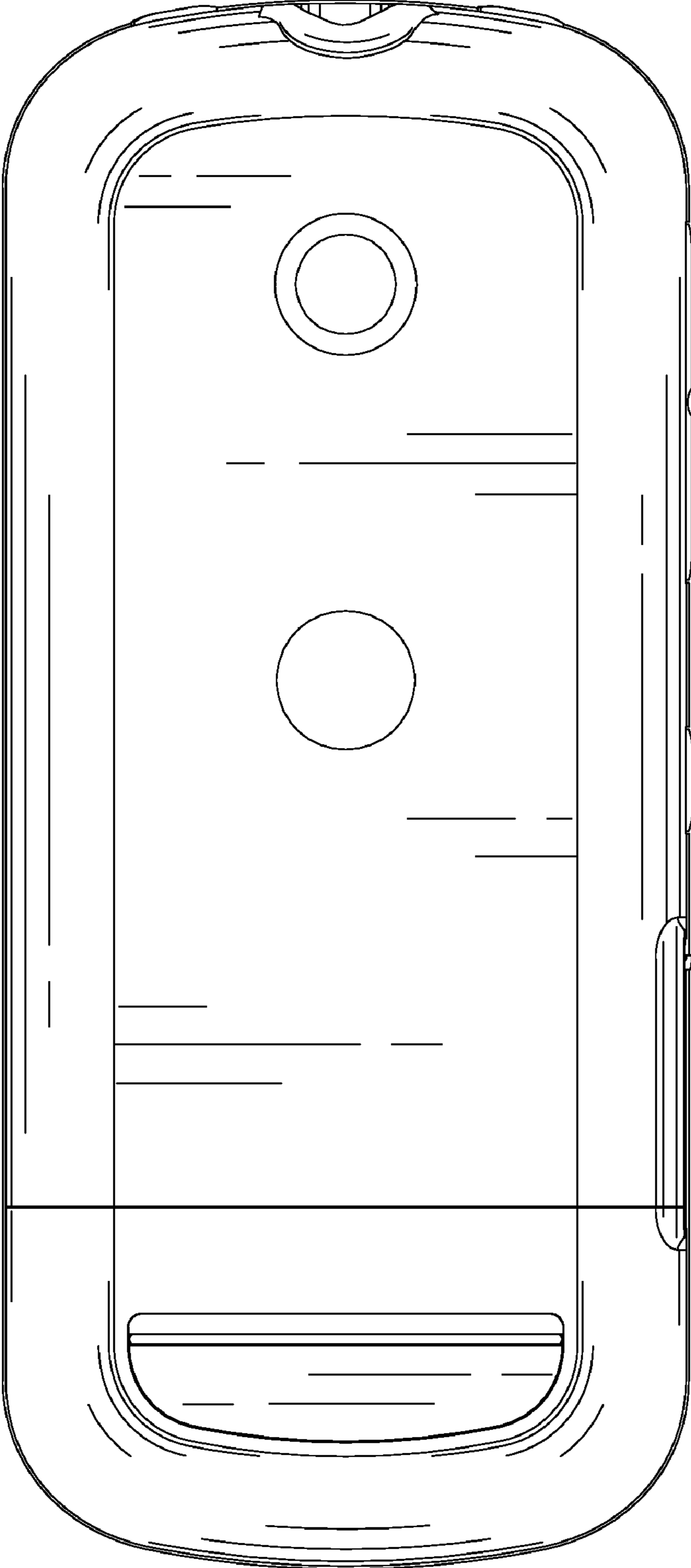


FIG. 12

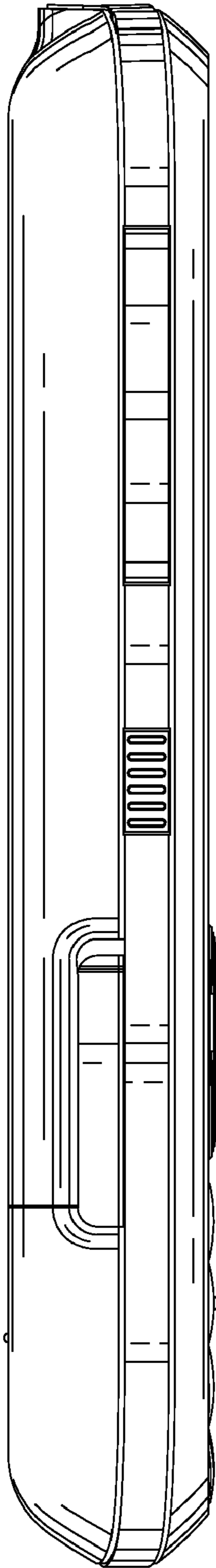


FIG. 13

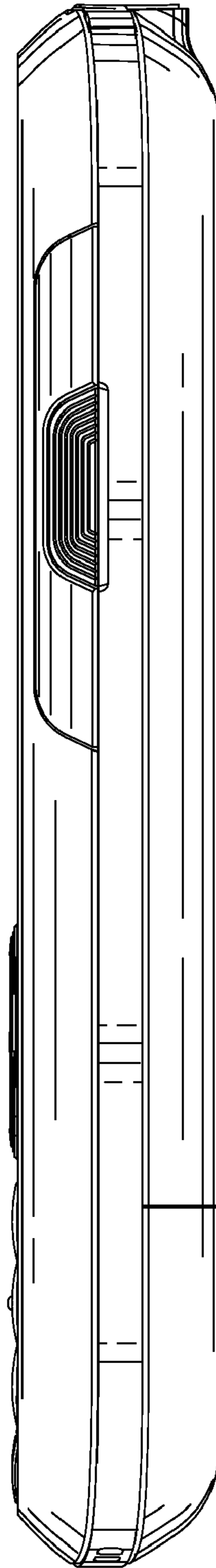


FIG. 14

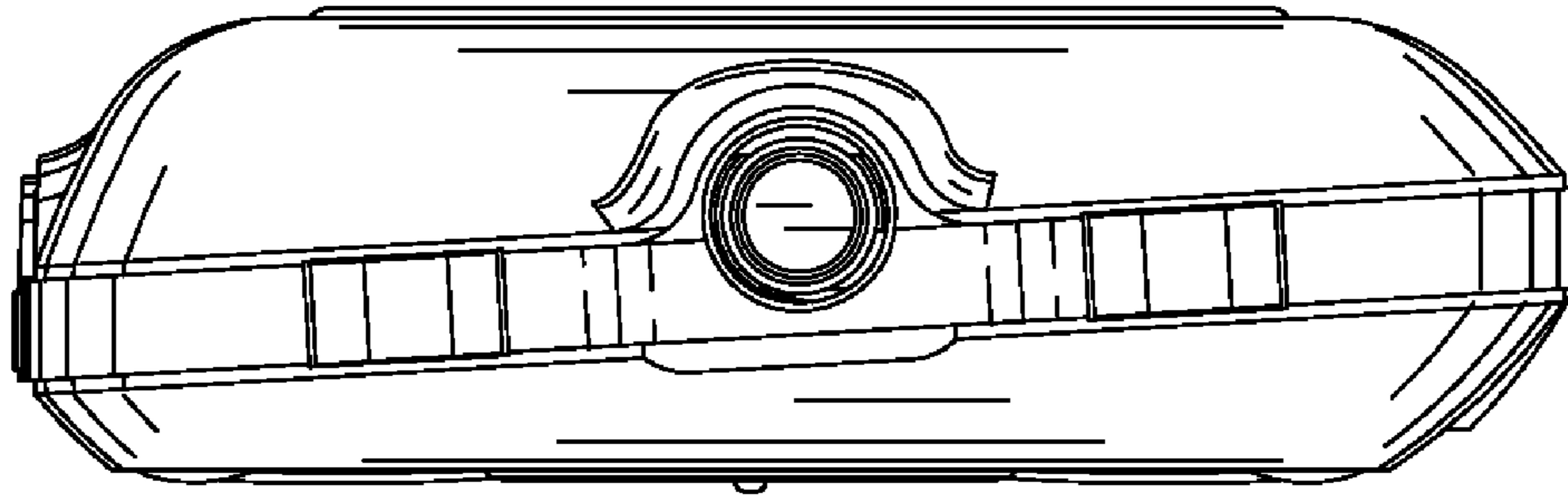


FIG. 15

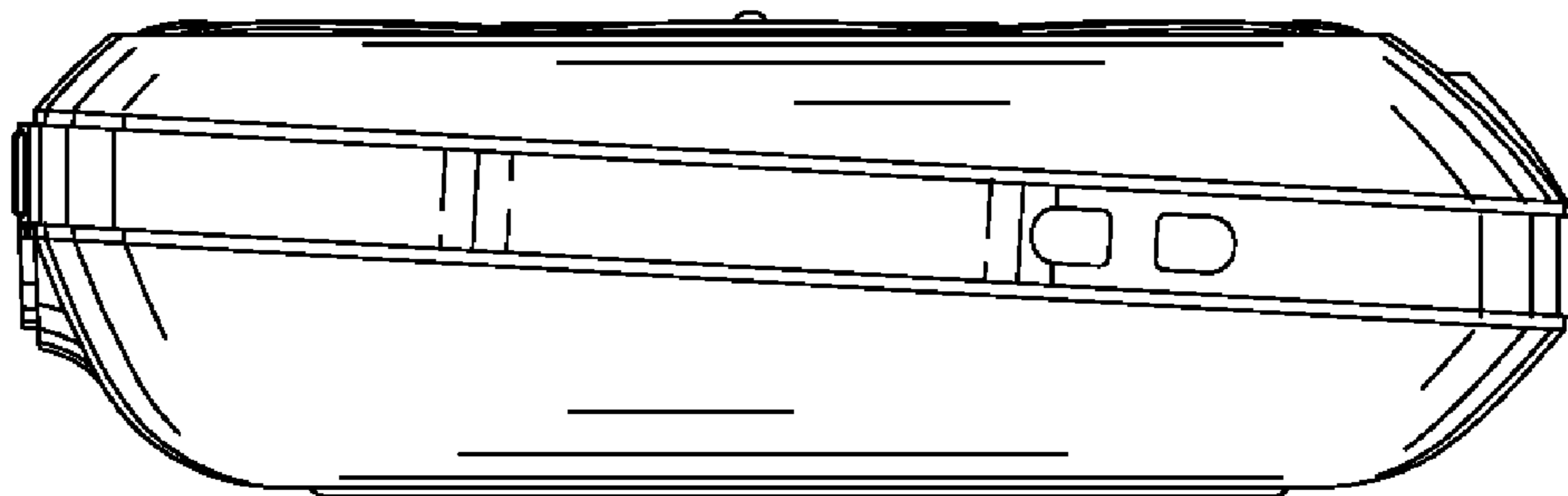


FIG. 16