



US00D609677S

(12) **United States Design Patent**
Garnham et al.

(10) **Patent No.:** **US D609,677 S**

(45) **Date of Patent:** **** *Feb. 9, 2010**

(54) **COMMUNICATION DEVICE**

(75) Inventors: **Renee M Garnham**, Birmingham, MI (US); **Giles D McWilliam**, Chicago, IL (US)

(73) Assignee: **Motorola, Inc.**, Schaumburg, IL (US)

(**) Term: **14 Years**

(21) Appl. No.: **29/330,474**

(22) Filed: **Jan. 8, 2009**

Related U.S. Application Data

(63) Continuation of application No. 29/324,722, filed on Sep. 18, 2008.

(51) **LOC (9) Cl.** **14-03**

(52) **U.S. Cl.** **D14/138 AD**

(58) **Field of Classification Search** D14/138 R, D14/138 AD, 138 AC, 138 C, 138 G, 191, D14/203.1-203.8, 496, 138 AA, 138 AB, D14/247-248, 137, 147, 218, 341-347; D10/65, D10/78, 104; D13/168; D18/7; 455/566, 455/575.1, 575.3

See application file for complete search history.

(56) **References Cited**

U.S. PATENT DOCUMENTS

D495,695	S *	9/2004	Yugaya	D14/346
D509,813	S *	9/2005	Miyazawa et al.	...	D14/138 AD
D519,998	S *	5/2006	Park	D14/346
D557,243	S *	12/2007	Kim et al.	D14/138 AD
D558,789	S *	1/2008	Yu et al.	D14/496
D561,727	S *	2/2008	Suk et al.	D14/138 AD
D562,288	S *	2/2008	Suk et al.	D14/138 AD
D562,289	S *	2/2008	Suk et al.	D14/138 AD
D567,208	S *	4/2008	Suk et al.	D14/138 AD
D579,903	S *	11/2008	Kim et al.	D14/138 R
D584,270	S *	1/2009	Chien et al.	D14/138 AD
D584,274	S *	1/2009	Kim et al.	D14/138 AD
D585,413	S *	1/2009	Suk et al.	D14/138 AD
D589,019	S *	3/2009	Millora	D14/138 AD

D589,022	S *	3/2009	Millora	D14/138 AD
2001/0036266	A1 *	11/2001	Gronroos et al.	379/433.01
2005/0143108	A1 *	6/2005	Seo et al.	455/466
2006/0166713	A1 *	7/2006	Yeh et al.	455/575.1
2007/0133788	A1 *	6/2007	Ladouceur et al.	379/433.07
2007/0273656	A1 *	11/2007	Chang et al.	345/169
2007/0287391	A1 *	12/2007	Hofer et al.	455/90.3
2007/0296705	A1 *	12/2007	Webb et al.	345/169
2008/0051041	A1 *	2/2008	Griffin et al.	455/90.3
2008/0204417	A1 *	8/2008	Pierce et al.	345/168
2008/0207273	A1 *	8/2008	Huo	455/566
2009/0048000	A1 *	2/2009	Ade-Hall	455/566

OTHER PUBLICATIONS

i-mate JASJAR, announced Aug. 2005, [online], [retrieved on Dec. 13, 2007]. Retrieved from Internet ,<URL: http://www.gsmarena.com>.*

LG KS10, announced Feb. 2007, [online], [retrieved on Feb. 20, 2007]. Retrieved from Internet ,<URL: http://www.gsmarena.com>.*

(Continued)

Primary Examiner—Jeffrey D Asch
Assistant Examiner—Bridget L Eland

(57) **CLAIM**

The ornamental design for a communication device, as shown and described.

DESCRIPTION

FIG. 1 is a perspective view of an ornamental design for a communication device;

FIG. 2 is a front view thereof;

FIG. 3 is a rear view thereof;

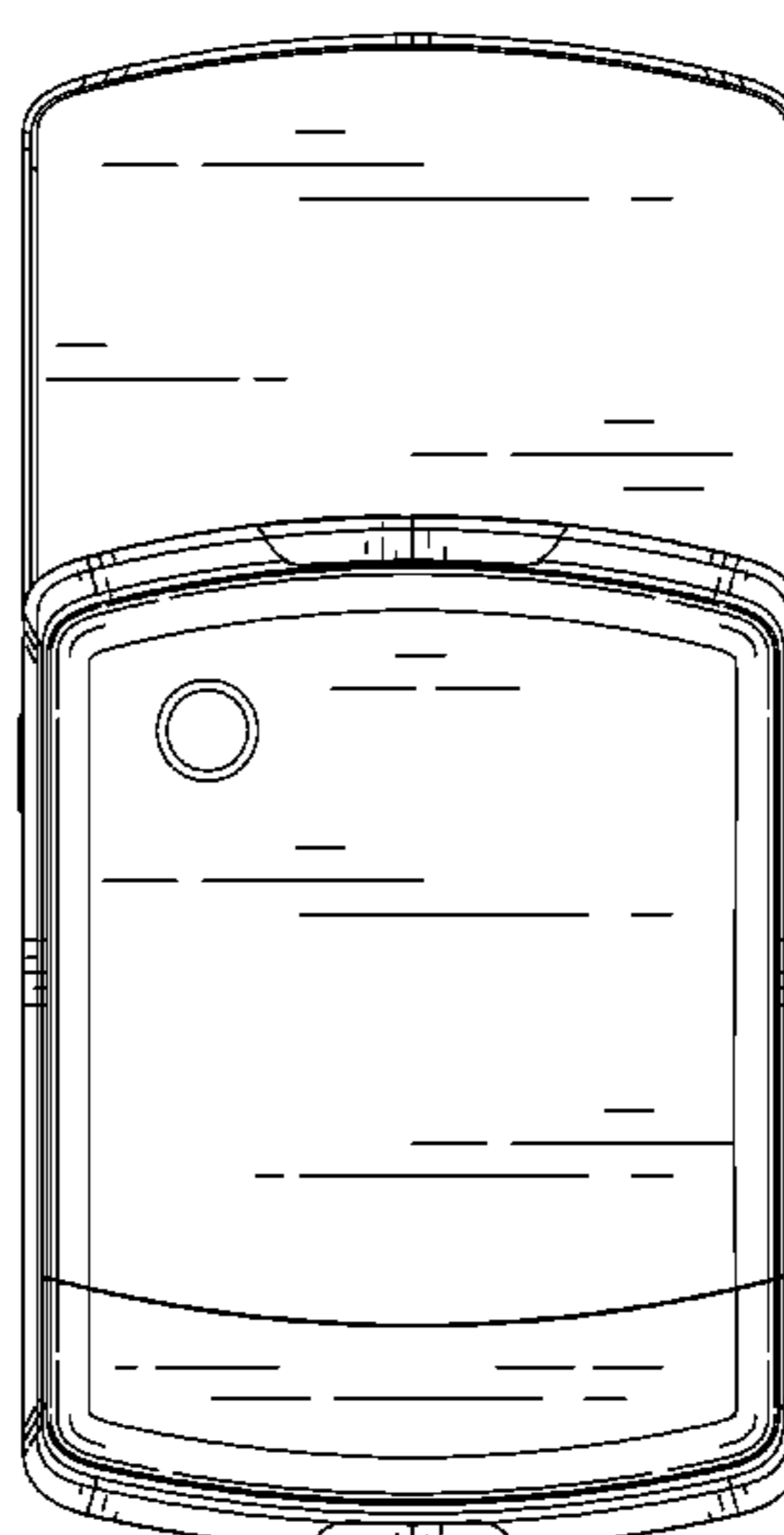
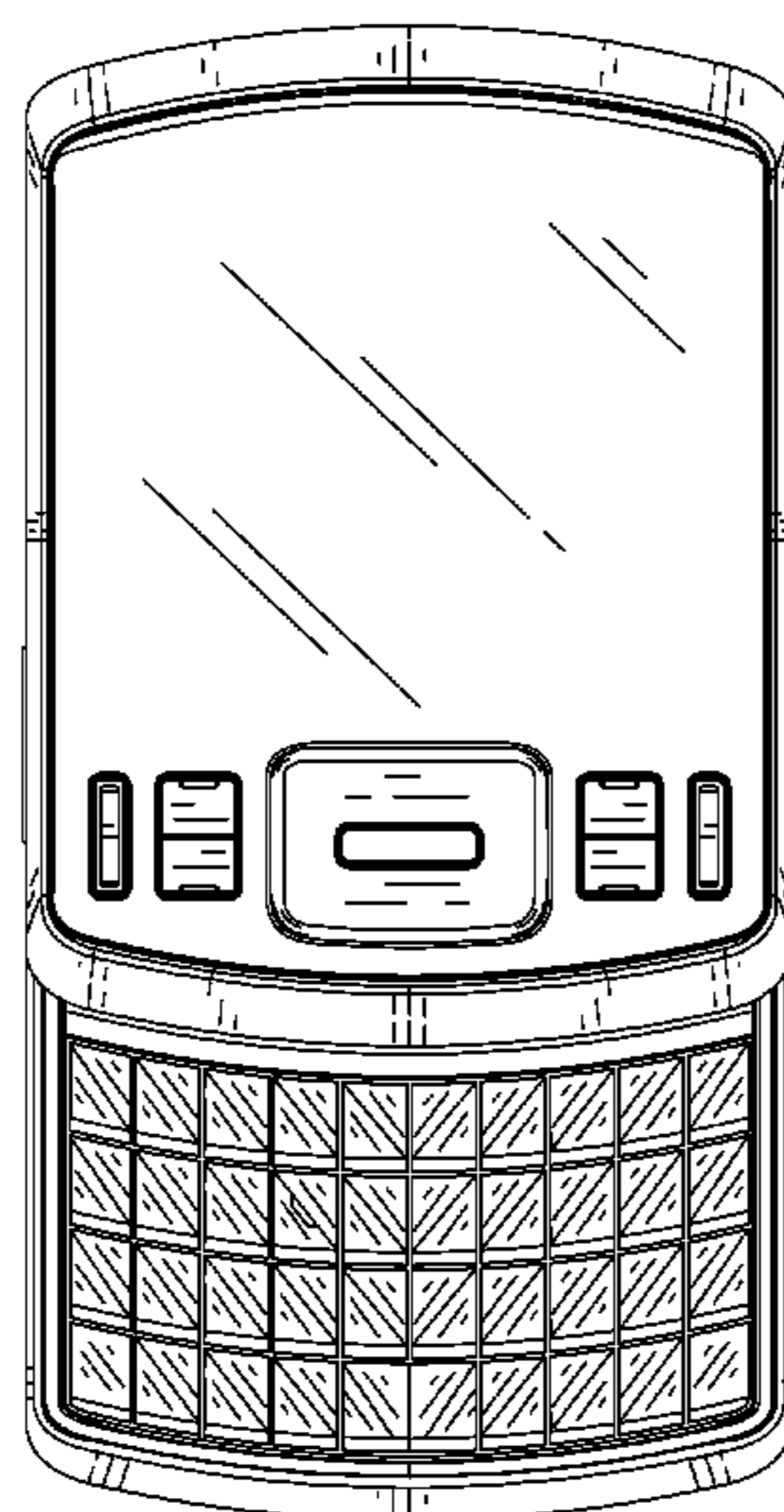
FIG. 4 is a first side view thereof;

FIG. 5 is a second side view thereof;

FIG. 6 is a top view thereof; and,

FIG. 7 is a bottom view thereof.

1 Claim, 5 Drawing Sheets



OTHER PUBLICATIONS

LG KU580, announced Apr. 2007, [online], [retrieved on May 18, 2007]. Retrieved from Internet ,<URL: <http://www.gsmarena.com>>.*

Samsung i620, announced Jun. 2007, [online], [retrieved on Aug. 6, 2007]. Retrieved from Internet ,<URL: <http://www.gsmarena.com>>.*

Samsung i640, announced Feb. 2008, [online], [retrieved on Mar. 21, 2008]. Retrieved from Internet ,<URL: <http://www.gsmarena.com>>.*

Samsung Z767 Propel, announced Oct. 2008, [online], [retrieved on Nov. 8, 2008]. Retrieved from Internet ,<URL: <http://www.gsmarena.com>>.*

Samsung Propel Pro, announced Mar. 2009, [online], [retrieved on Apr. 16, 2009]. Retrieved from Internet ,<URL: <http://www.gsmarena.com>>.*

U.S. Appl. No. 29/324,722, filed Sep. 18, 2008, in the name of Renee M. Garnham, entitled "Communication Device".

* cited by examiner

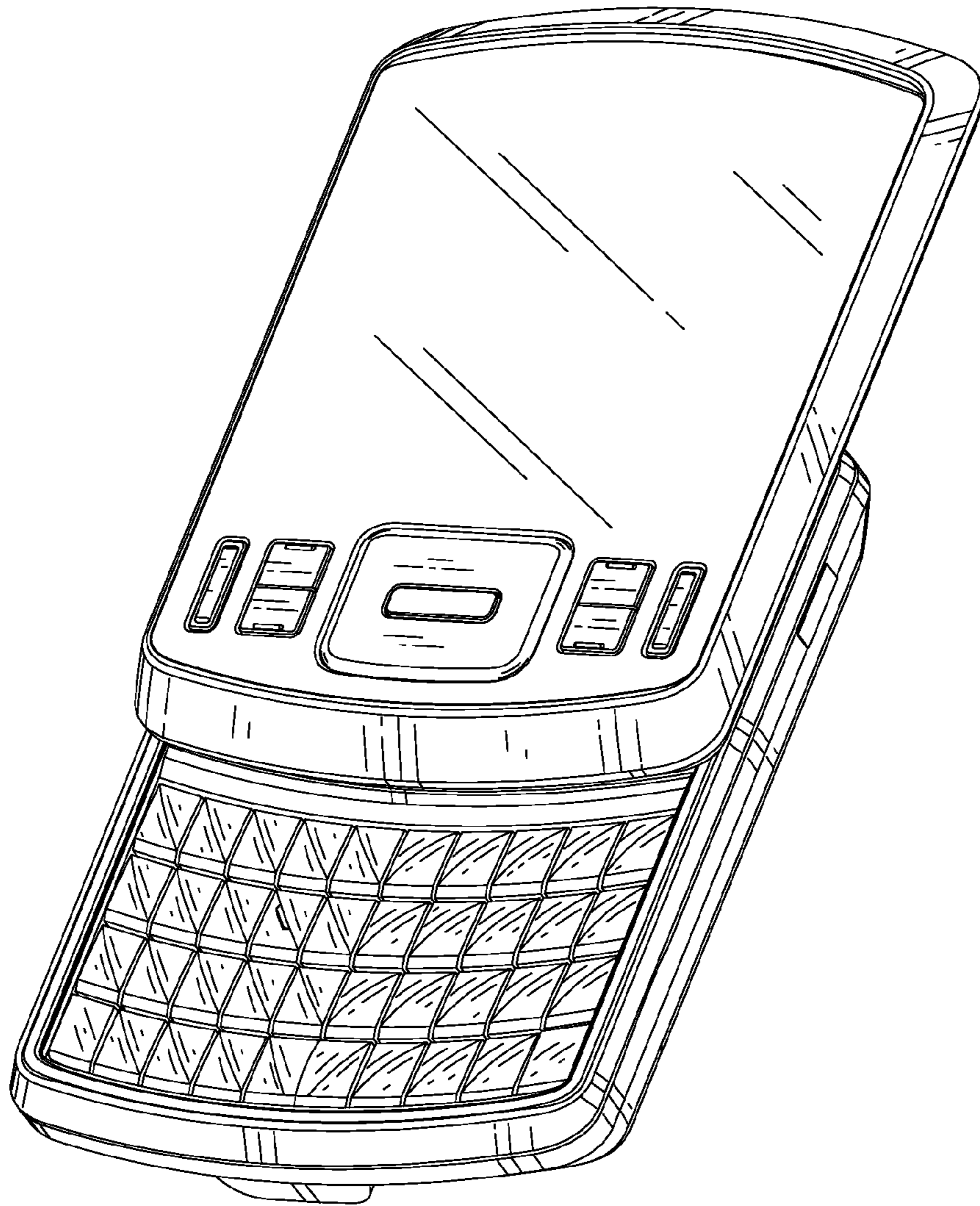


FIG. 1

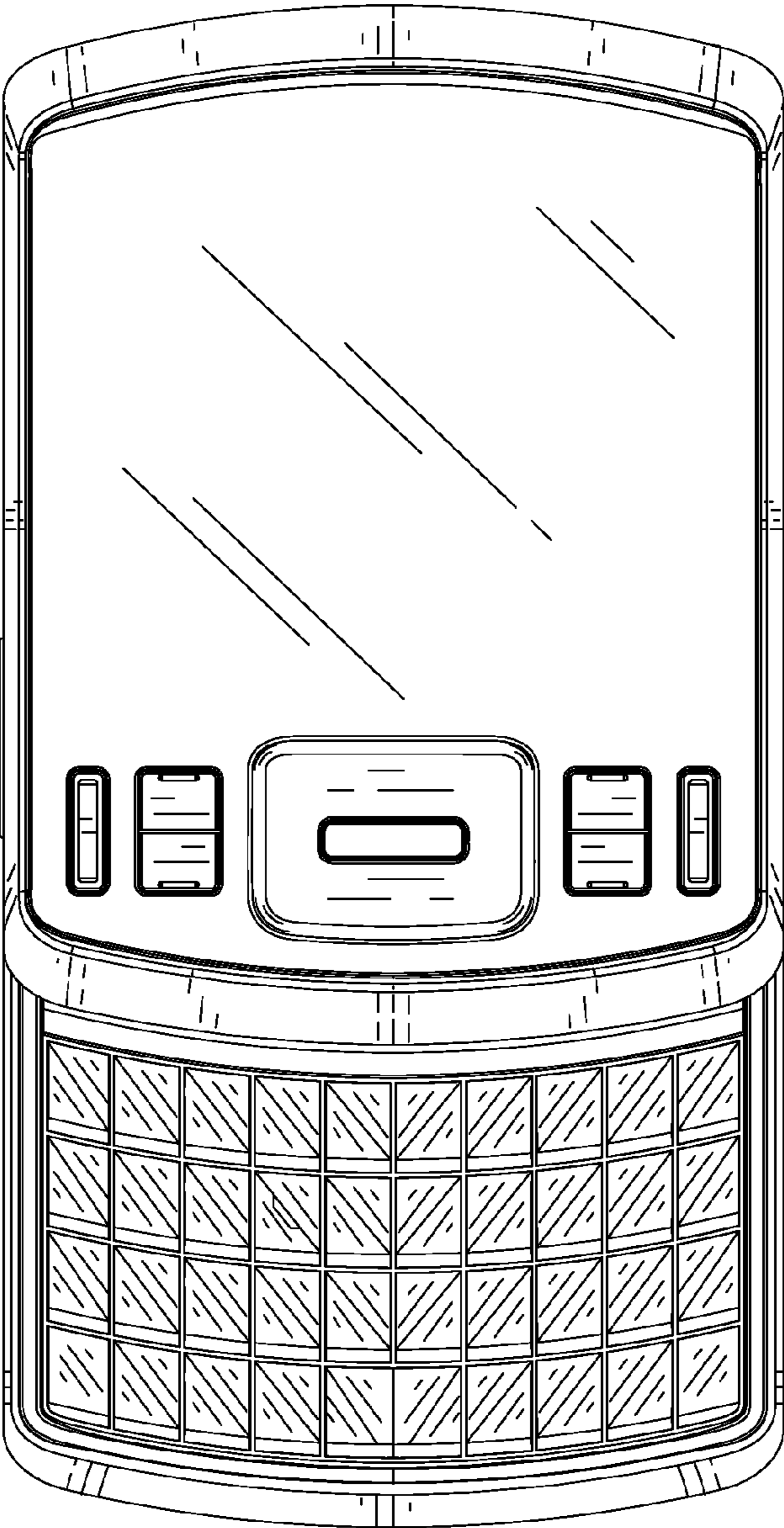


FIG. 2

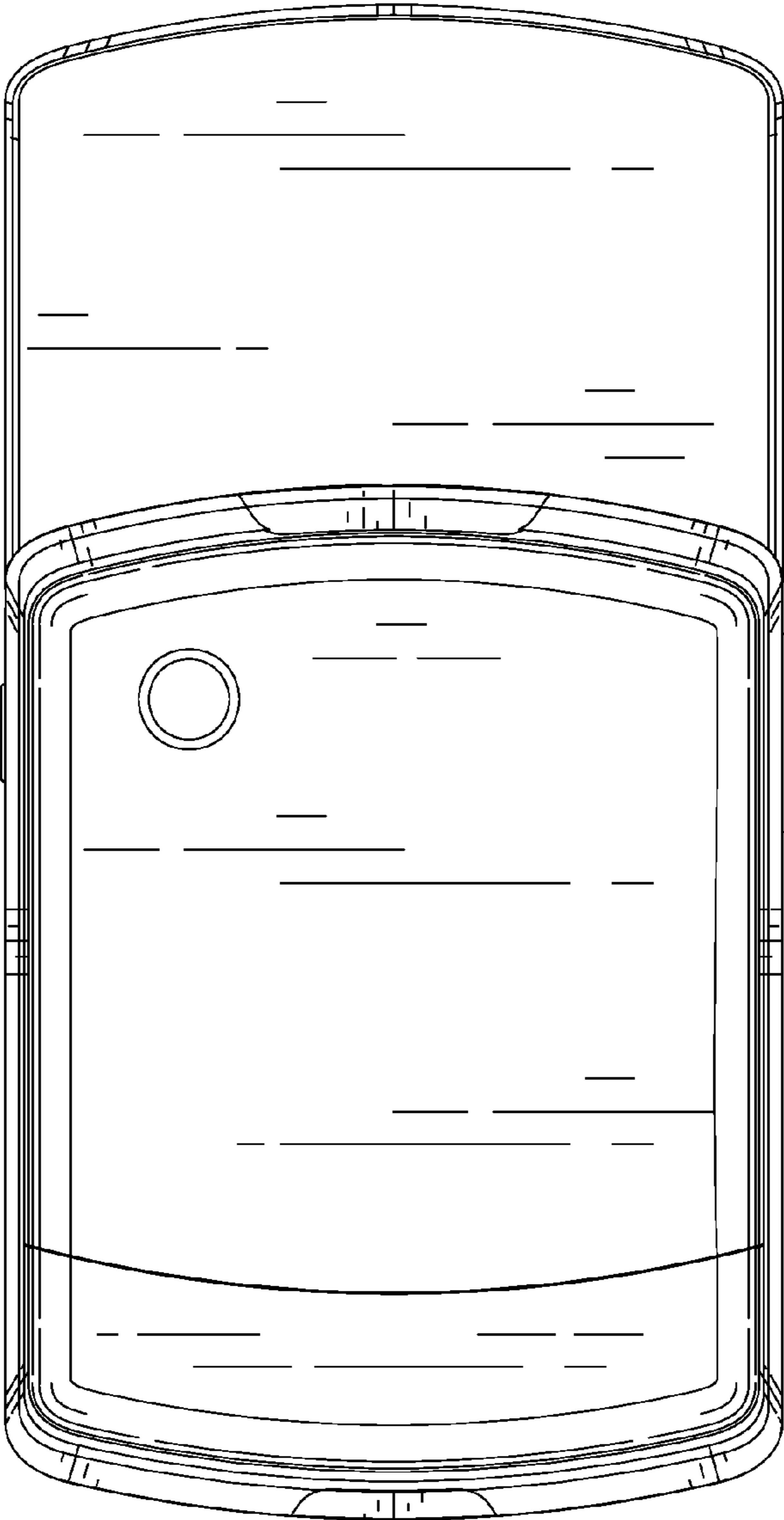


FIG. 3

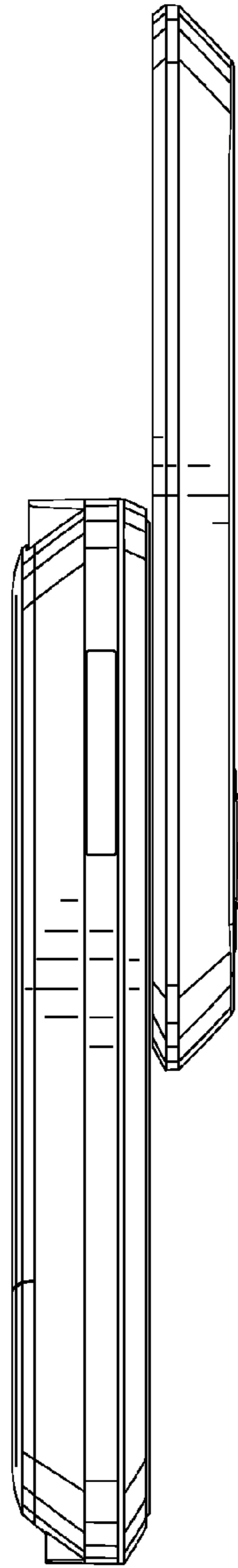


FIG. 4

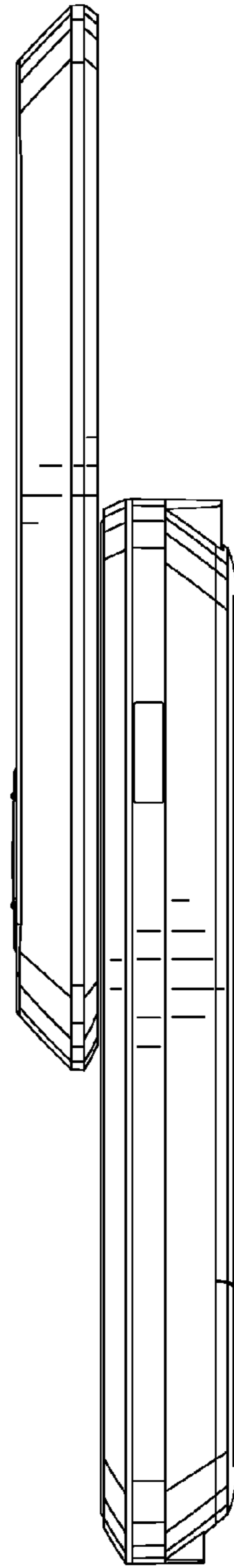


FIG. 5

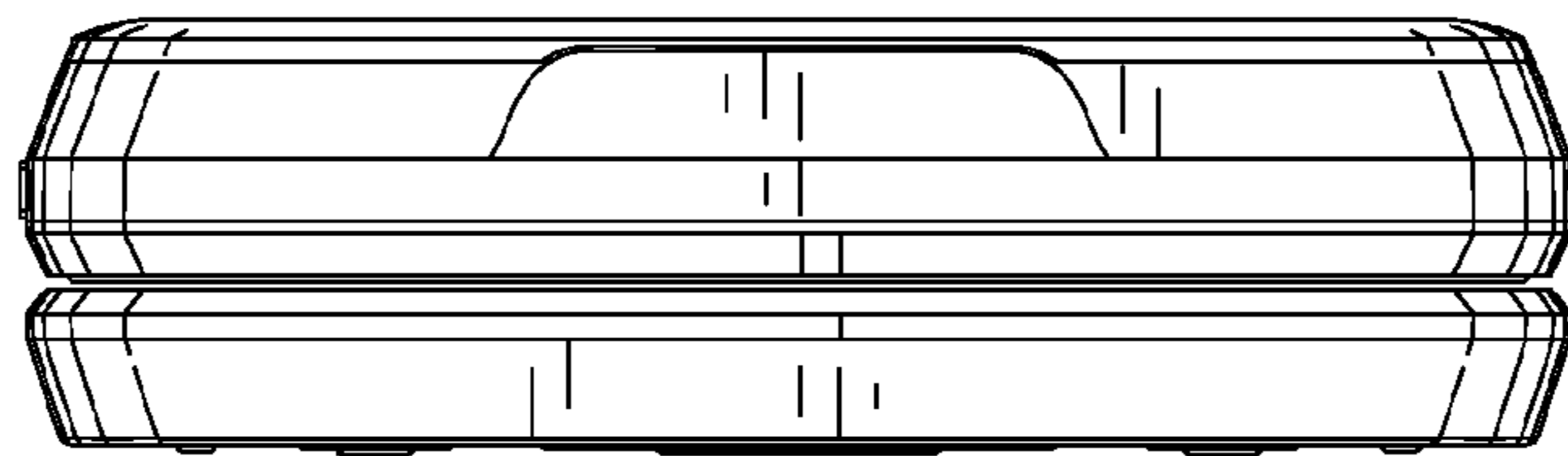


FIG. 6

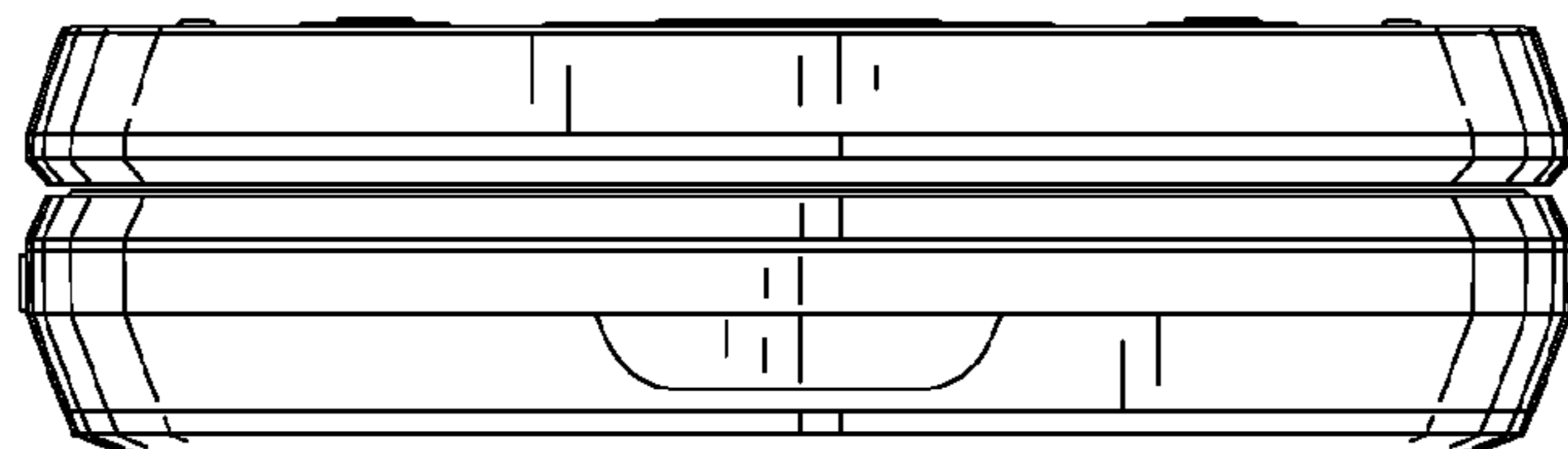


FIG. 7