



US00D609662S

(12) **United States Design Patent**  
**Noreng et al.**

(10) **Patent No.:** **US D609,662 S**  
(45) **Date of Patent:** **\*\* Feb. 9, 2010**

(54) **ENDPOINT FOR VIDEOCONFERENCING**

(75) Inventors: **Thomas Noreng**, Oslo (NO); **Carsten Eriksen**, Abyhoj (DK); **Kristian Kroyer**, Munich (DE); **Simen Andresen**, Eiksmarka (NO); **Gaute Hovdal**, Oslo (NO); **Jorunn Tysso**, Oslo (NO)

(73) Assignee: **Tandberg Telecom AS**, Lysaker (NO)

(\*\*) Term: **14 Years**

(21) Appl. No.: **29/331,638**

(22) Filed: **Jan. 29, 2009**

(51) **LOC (9) Cl.** ..... **14-03**

(52) **U.S. Cl.** ..... **D14/130**

(58) **Field of Classification Search** ..... D14/125-130,  
D14/140-142, 144, 146-151, 158-159, 171,  
D14/188, 225-226, 240, 243, 250-253, 329-331,  
D14/339, 341, 357, 375, 434, 471, 496; 379/88.17,  
379/90.01, 93.17, 387.01, 388.02, 419-420.04,  
379/420.02, 428.01-428.04, 434-436, 440,  
379/446-447, 454-455, 93.23; 381/16, 71.1;  
D13/107-108; 191/12.2 R; 320/108, 110,  
320/113-115; 455/411, 550.1-90.3; 348/14.01-14.06;  
D6/308; D10/65

See application file for complete search history.

(56) **References Cited**

**U.S. PATENT DOCUMENTS**

D305,537 S *	1/1990	Gilmore et al.	.....	D14/329
D309,304 S *	7/1990	Takada et al.	.....	D14/144
D324,036 S *	2/1992	Wakasa	.....	D14/329
5,305,097 A *	4/1994	Sato et al.	.....	348/14.01
D350,743 S *	9/1994	Hicks et al.	.....	D14/130
5,396,269 A *	3/1995	Gotoh et al.	.....	348/14.04
5,412,417 A *	5/1995	Tozuka	.....	348/14.01
5,657,378 A *	8/1997	Haddock et al.	.....	379/93.23
D396,451 S *	7/1998	Wicks	.....	D14/329

(Continued)

**FOREIGN PATENT DOCUMENTS**

WO DM/052738 \* 7/2000

(Continued)

**OTHER PUBLICATIONS**

Tandberg Centrix 1000 MXP, <URL:http://www.videoconferencestore.com/tandberg/tandbergCentrix1000MXP.html>, retrieved from internet on Sep. 11, 2009.\*

(Continued)

*Primary Examiner*—Jeffrey D Asch  
*Assistant Examiner*—Carla Jobe Wright

(74) *Attorney, Agent, or Firm*—Oblon, Spivak, McClelland, Maier & Neustadt, L.L.P.

(57) **CLAIM**

The ornamental design for an endpoint for videoconferencing, as shown and described.

**DESCRIPTION**

FIG. 1 is a top and left front perspective view of an endpoint for videoconferencing, showing the design;

FIG. 2 is a top and right front perspective view thereof;

FIG. 3 is a front view thereof;

FIG. 4 is a rear view thereof;

FIG. 5 is a bottom view thereof;

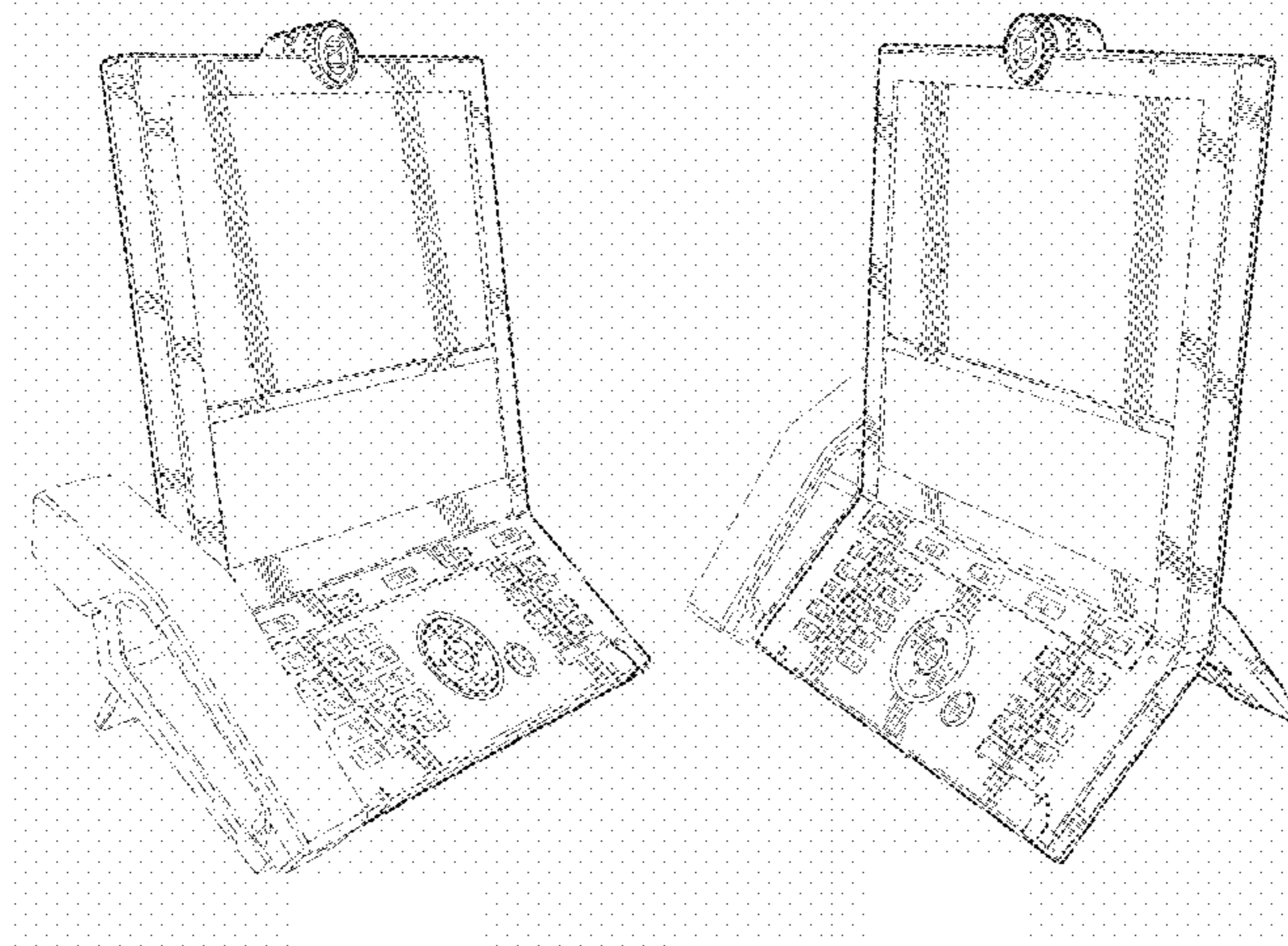
FIG. 6 is a top view thereof;

FIG. 7 is a left side view thereof; and,

FIG. 8 is a right side view thereof.

The broken lines that form the periphery of the unshaded rectangular region on the front of the endpoint for videoconferencing, shown in FIGS. 1-3 and 6, represent a boundary of the claimed design. The broken line showing of the handset, handset cradle, and small features on the rear and bottom of the endpoint for videoconferencing is for illustrative purposes only and forms no part of the claimed design. The broken lines and the unshaded regions that are defined by broken lines form no part of the claimed design.

**1 Claim, 8 Drawing Sheets**



# US D609,662 S

Page 2

---

## U.S. PATENT DOCUMENTS

D402,977 S \* 12/1998 Lytel ..... D14/130  
D402,978 S \* 12/1998 Wang et al. .... D14/130  
D404,393 S \* 1/1999 Russmann ..... D14/130  
D425,053 S \* 5/2000 Clark et al. .... D14/130  
D435,526 S \* 12/2000 Huang et al. .... D14/130  
D452,222 S \* 12/2001 Lee ..... D14/130  
D457,870 S \* 5/2002 Toyoshima et al. .... D14/150  
D463,780 S \* 10/2002 Hung ..... D14/130  
D499,713 S \* 12/2004 Shibata et al. .... D14/151  
D500,482 S \* 1/2005 Shibata et al. .... D14/140.11  
RE38,830 E \* 10/2005 Wang et al. .... D14/130

D511,761 S \* 11/2005 Robinson et al. .... D14/151  
D538,279 S \* 3/2007 Mahan et al. .... D14/329

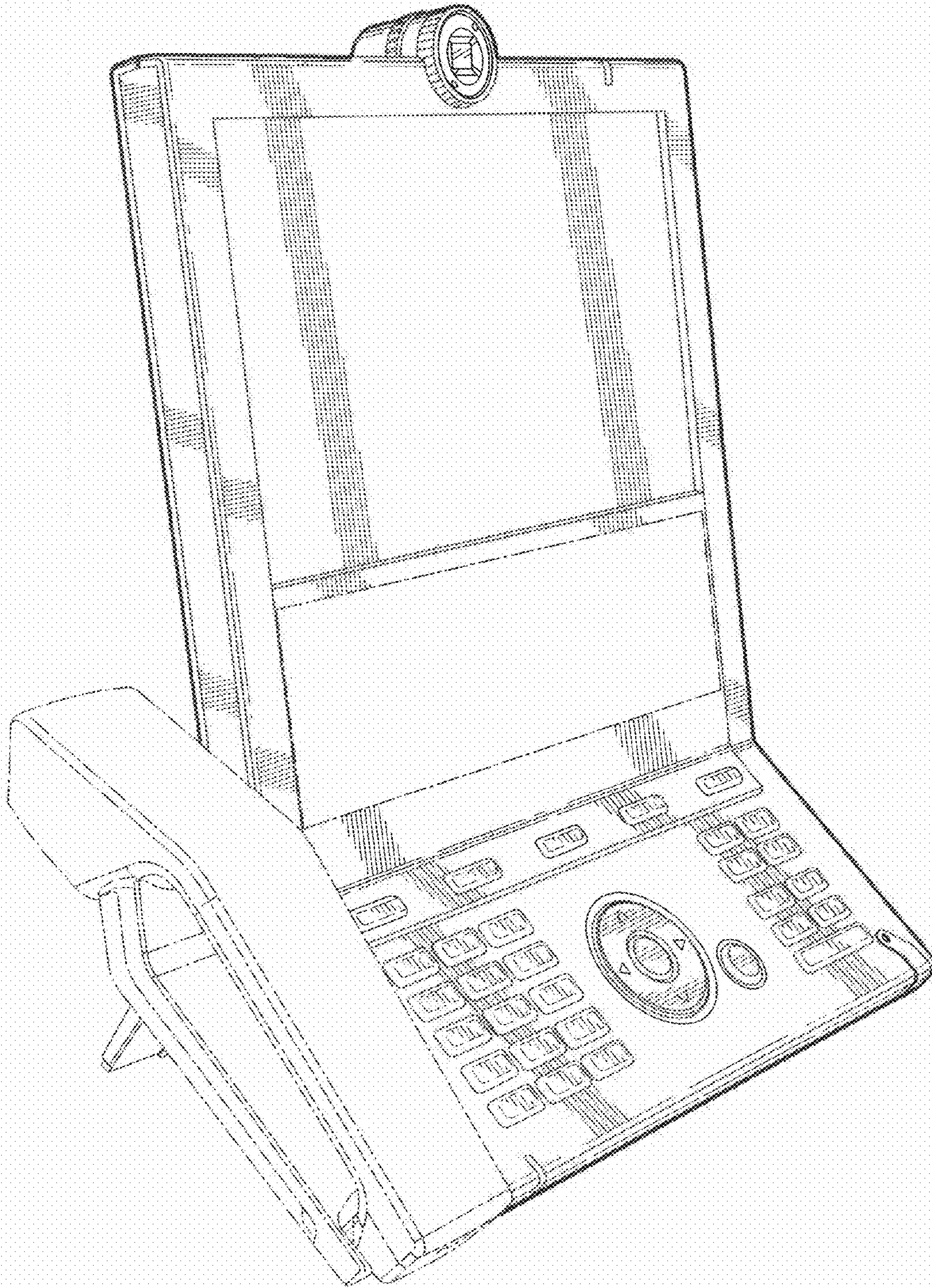
## FOREIGN PATENT DOCUMENTS

WO DM/064420 \* 11/2002

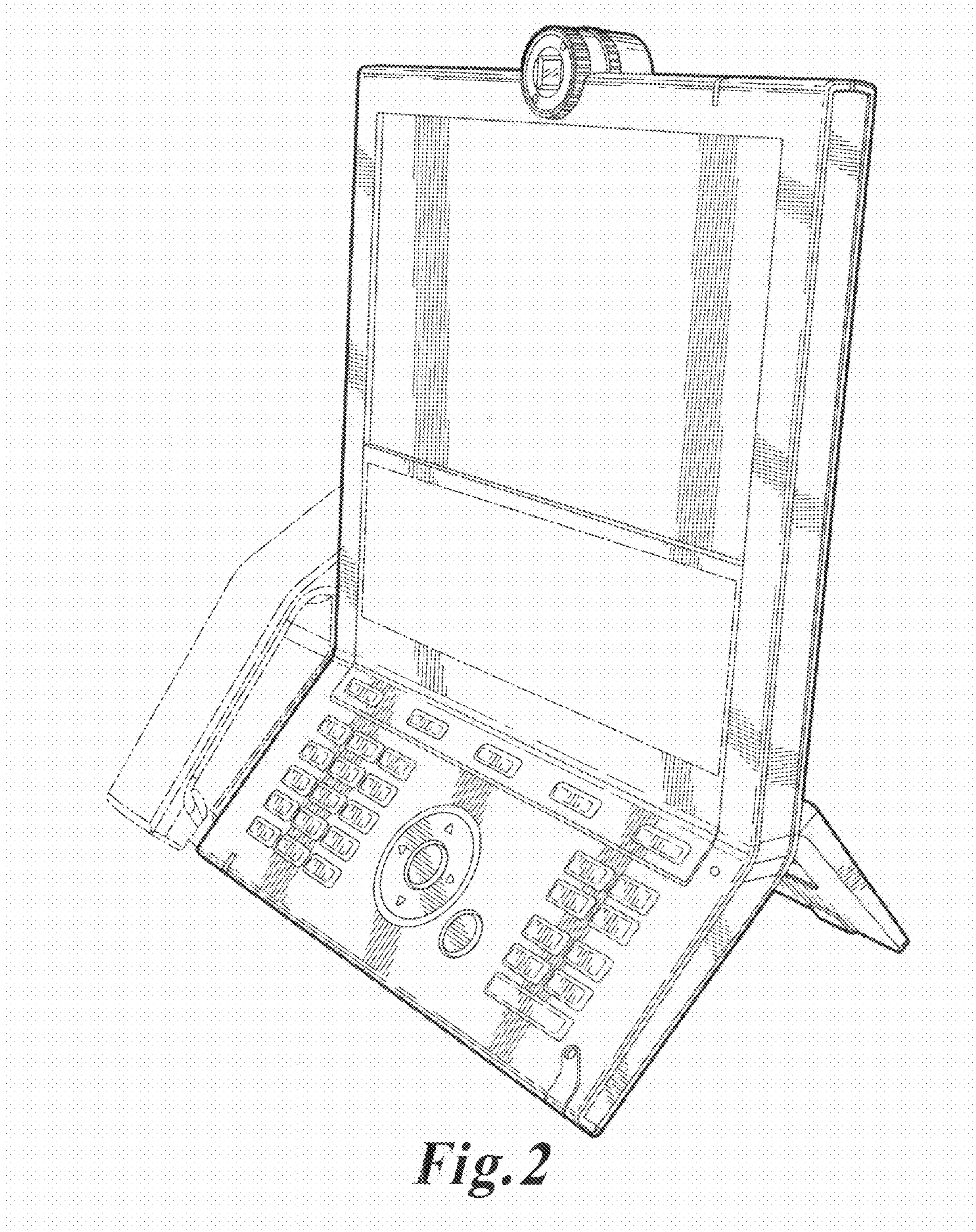
## OTHER PUBLICATIONS

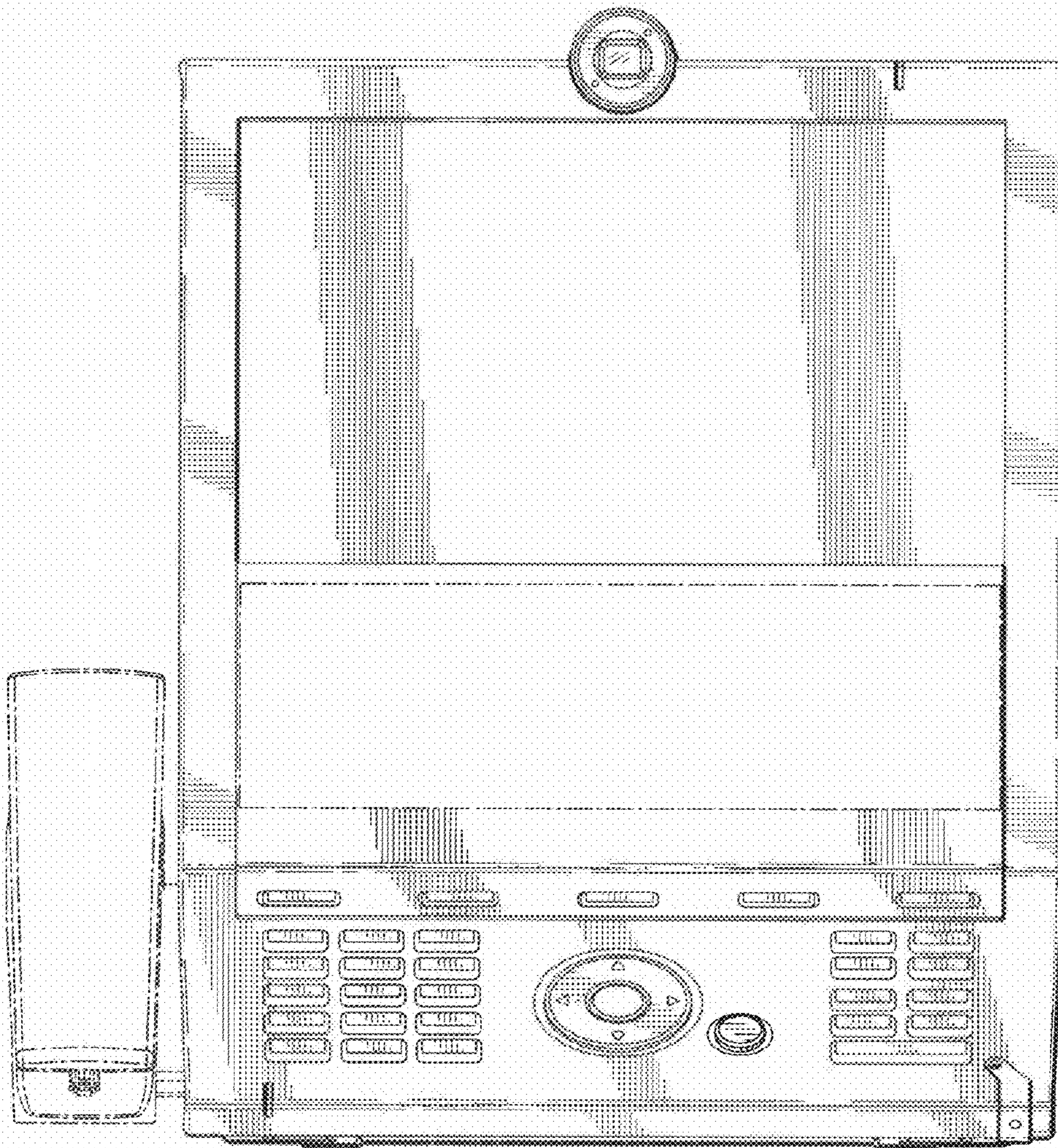
Yealink Network Technology Co Ltd Video Phone, <URL:<http://www.globalsources.com/gsol/I/Video-phone/p/bg/1011198513.htm>>, retrieved from internet on Sep. 11, 2009.\*

\* cited by examiner

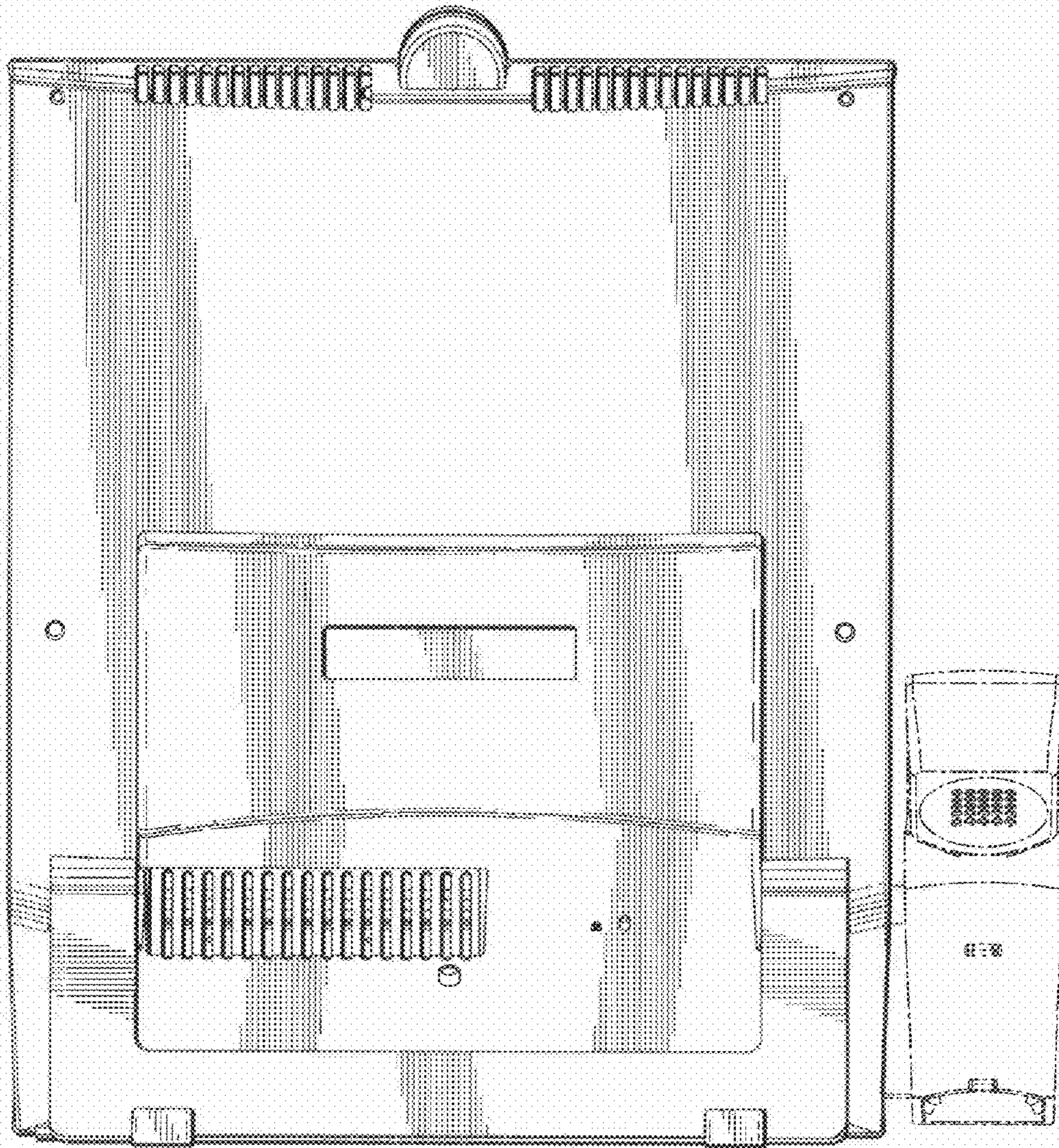


*Fig. 1*

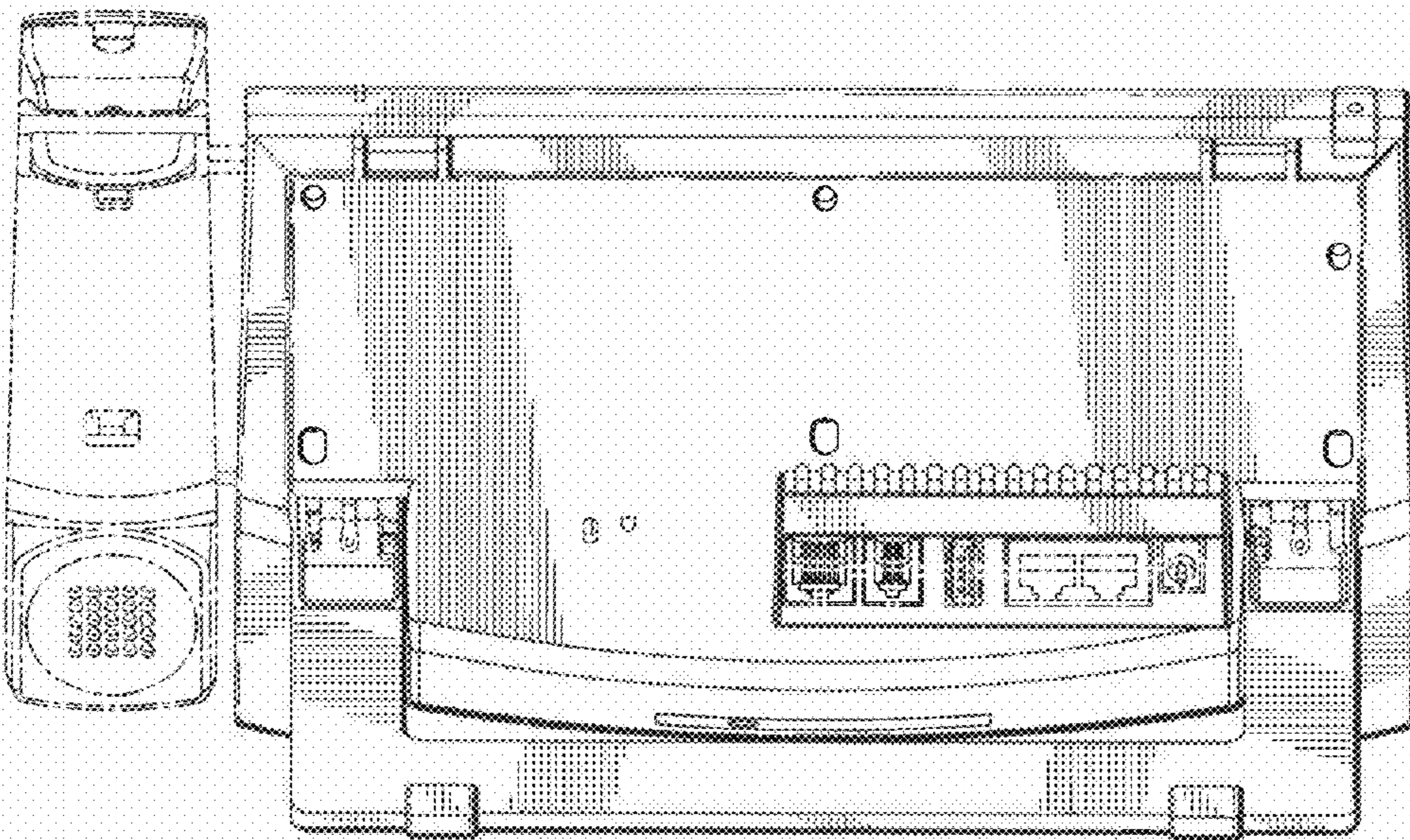




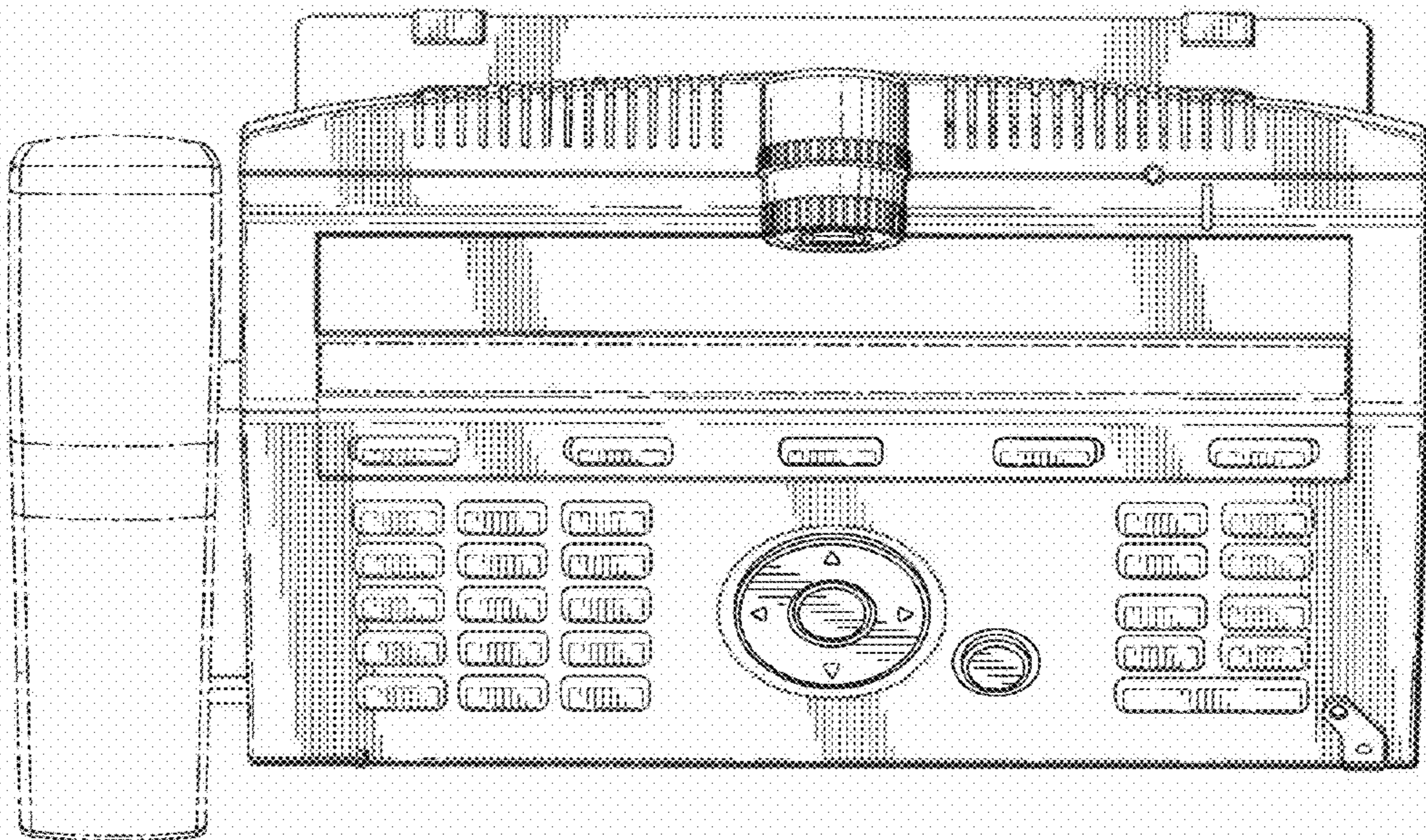
*Fig. 3*



*Fig. 4*

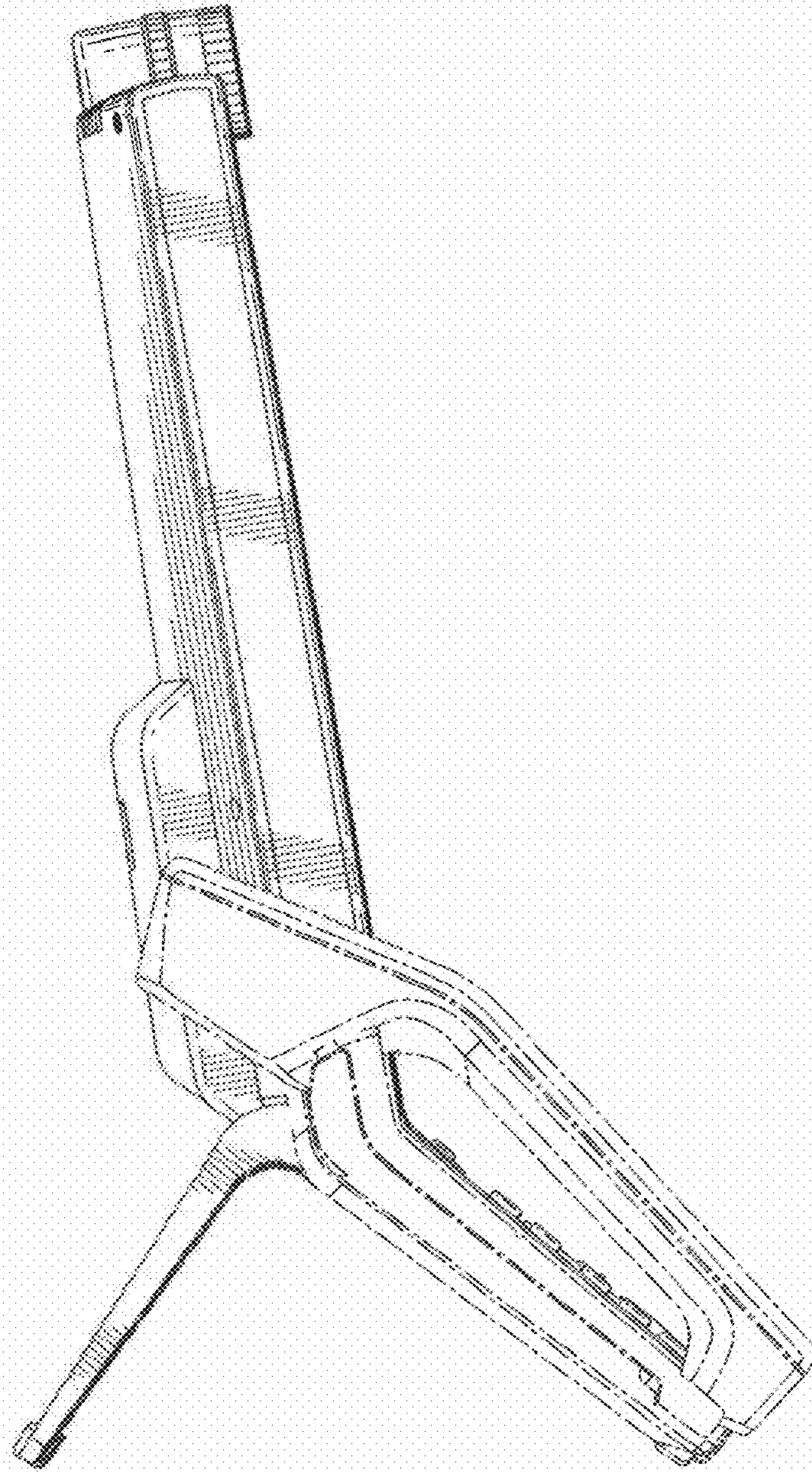


*Fig. 5*

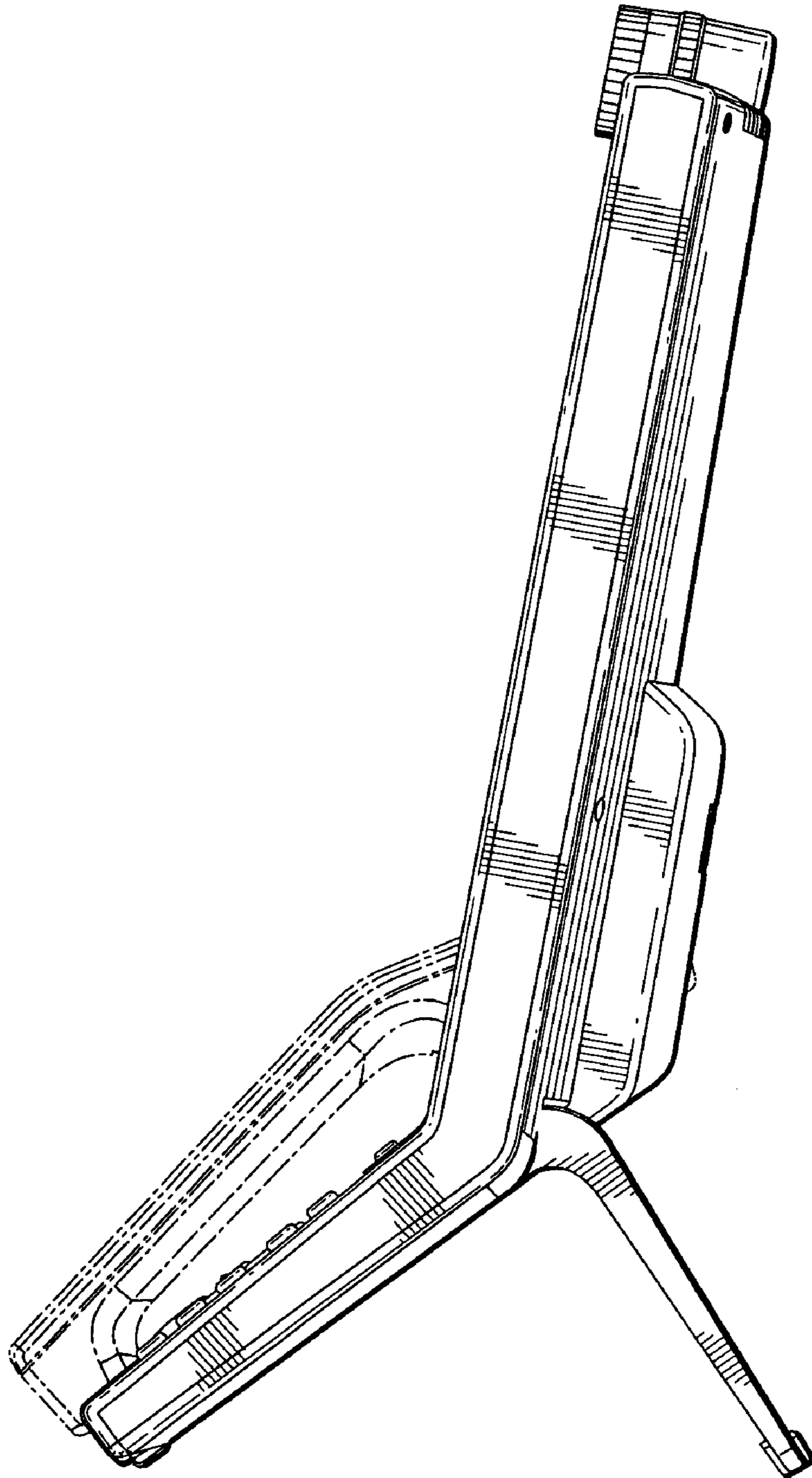


*Fig. 6*





*Fig. 7*



*Fig. 8*