



US00D609659S

(12) **United States Design Patent**
VanDuyn

(10) **Patent No.:** **US D609,659 S**
(45) **Date of Patent:** **** Feb. 9, 2010**

- (54) **TV**
 - (75) **Inventor:** **Luke VanDuyn**, Highlands Ranch, CO (US)
 - (73) **Assignee:** **EchoStar Technologies L.L.C.**, Englewood, CO (US)
 - (**) **Term:** **14 Years**
 - (21) **Appl. No.:** **29/336,715**
 - (22) **Filed:** **May 7, 2009**
 - (51) **LOC (9) Cl.** **14-03**
 - (52) **U.S. Cl.** **D14/126**
 - (58) **Field of Classification Search** D14/125-134, D14/239, 371, 136, 374-377, 440, 450, 448, D14/336, 342; 312/7.2; 348/836, 838, 180, 348/184, 325, 739; 341/12; 248/917-924, 248/465; 345/104, 133, 156, 168, 87, 173; 720/605, 669, 600, 655; 369/99, 197; 455/344, 455/347; D21/329, 515, 577, 622, 333, 433, D21/448, 452, 450, 331; D6/477, 479, 300; 273/148 B; 446/484, 175, 356; D10/15, D10/26
- See application file for complete search history.

(56) **References Cited**
U.S. PATENT DOCUMENTS

D323,324 S *	1/1992	Suda	D14/125
D525,953 S *	8/2006	Anzures	D14/126
D548,206 S *	8/2007	Han	D14/126
D550,173 S *	9/2007	Wang et al.	D14/126
D581,379 S *	11/2008	Chiu	D14/126
D584,281 S *	1/2009	Kim et al.	D14/188
D587,226 S *	2/2009	Funayama	D14/126
D596,596 S *	7/2009	Honda	D14/126
D597,980 S *	8/2009	Vitito	D14/129

D598,406 S * 8/2009 Wang D14/126
OTHER PUBLICATIONS

“Portable DVD Player User Manual,” http://www.consumer.philips.com/consumer/en/sa/consumer/cc/_productid_PET831_98_SA_CONSUMER/Portable-DVD-Player+PET831-98-, retrieved Jul. 16, 2009, 28 pages.
“VA902b 19" Value Series LCD Display,” <http://tom.viewsonic.com/products/desktopdisplays/lcddisplays/valueseries/va902b/>, retrieved Jul. 16, 2009, 2 pages.
* cited by examiner

Primary Examiner—Raphael Barkai
(74) *Attorney, Agent, or Firm*—Seed IP Law Group PLLC

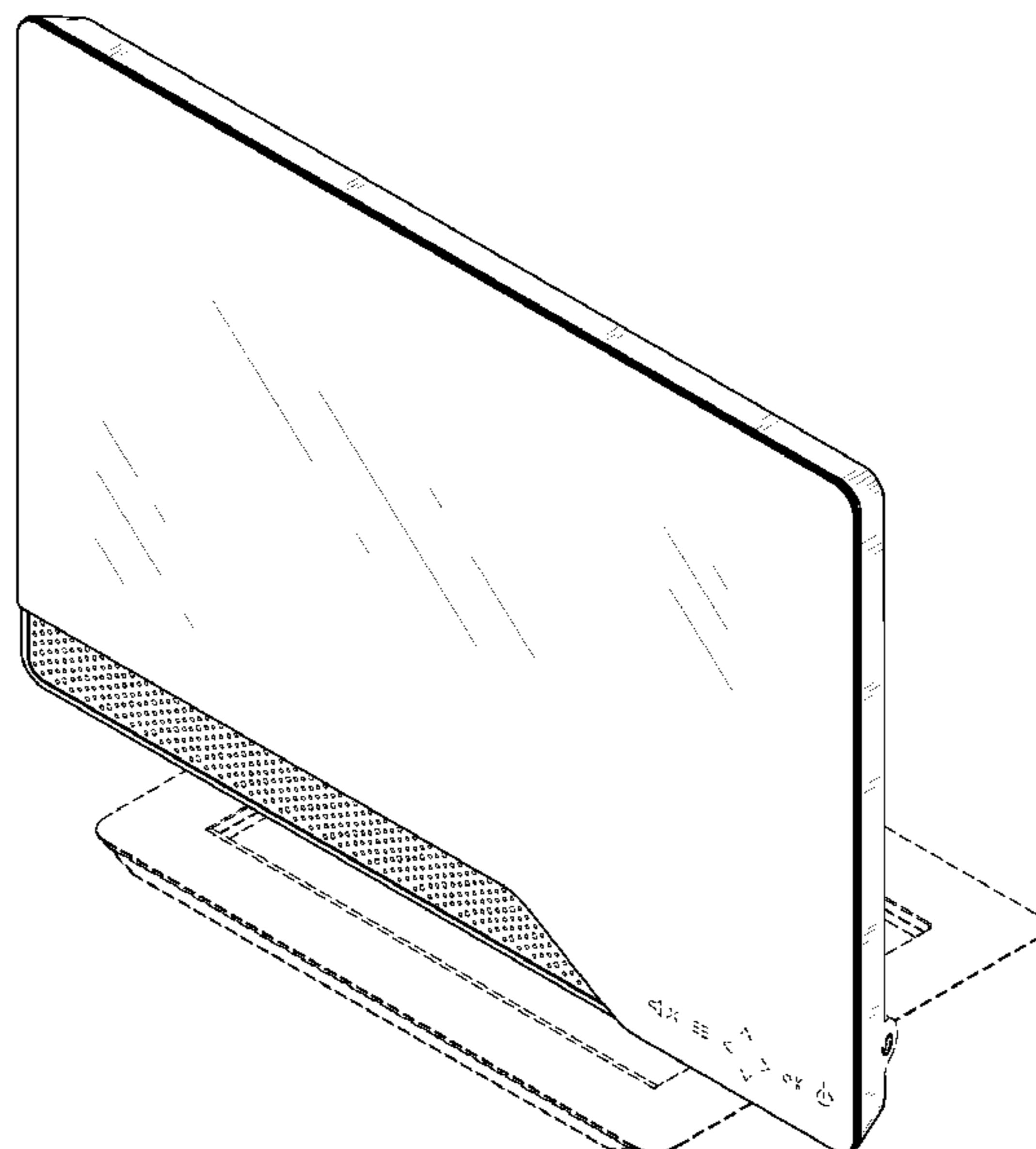
(57) **CLAIM**

The ornamental design for a TV, as shown and described.

DESCRIPTION

FIG. 1 is an isometric view of a TV showing an embodiment of my new design.
FIG. 2 is a front elevational view thereof.
FIG. 3 is a rear elevational view thereof.
FIG. 4 is a top plan view thereof.
FIG. 5 is a bottom plan view thereof.
FIG. 6 is a right side elevational view thereof.
FIG. 7 is a left side elevational view thereof; and,
FIG. 8 is a front elevational view of a TV showing another embodiment of my new design: a mirror-image configuration. Apart from differences arising from the extended portion of the front TV face being relocated from the right-side, as shown in FIGS. 1 and 2, to the left-side, as shown in FIG. 8, all features in the alternate embodiment remain as shown in FIGS. 3-7.
The broken lines in the figures are for illustrative proposes only and form no part of the claimed design.

1 Claim, 8 Drawing Sheets



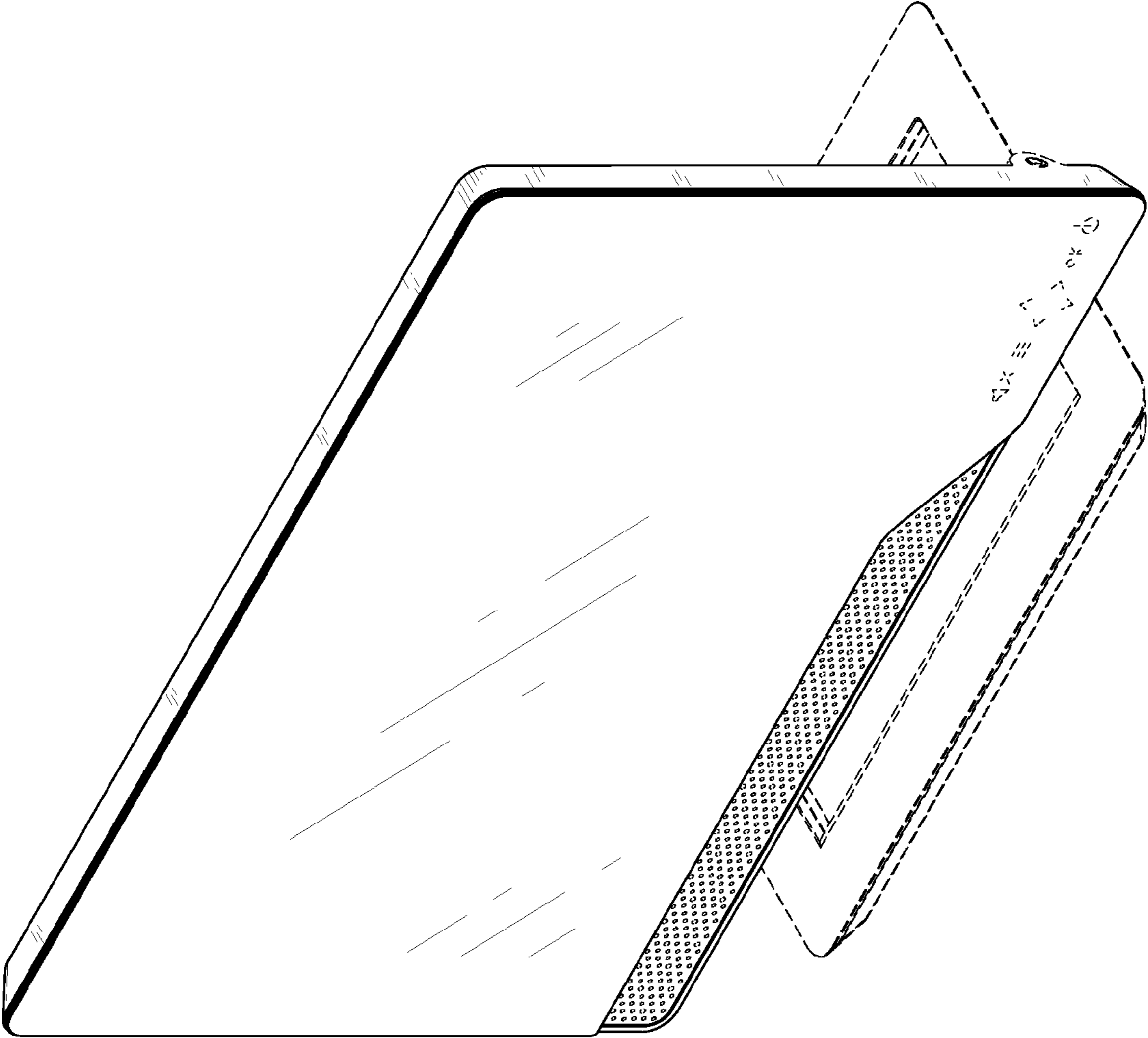


FIG. 1

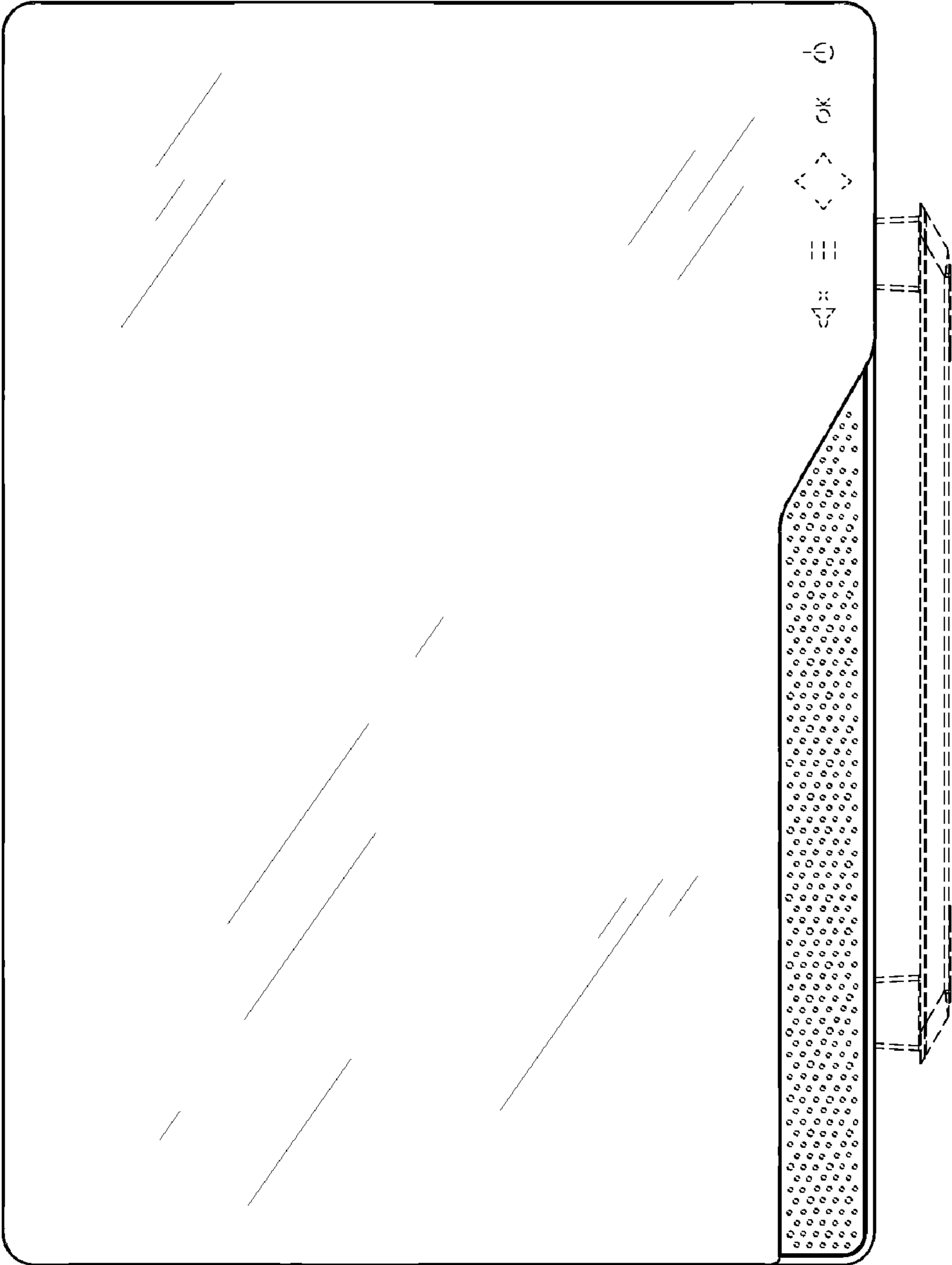


FIG. 2

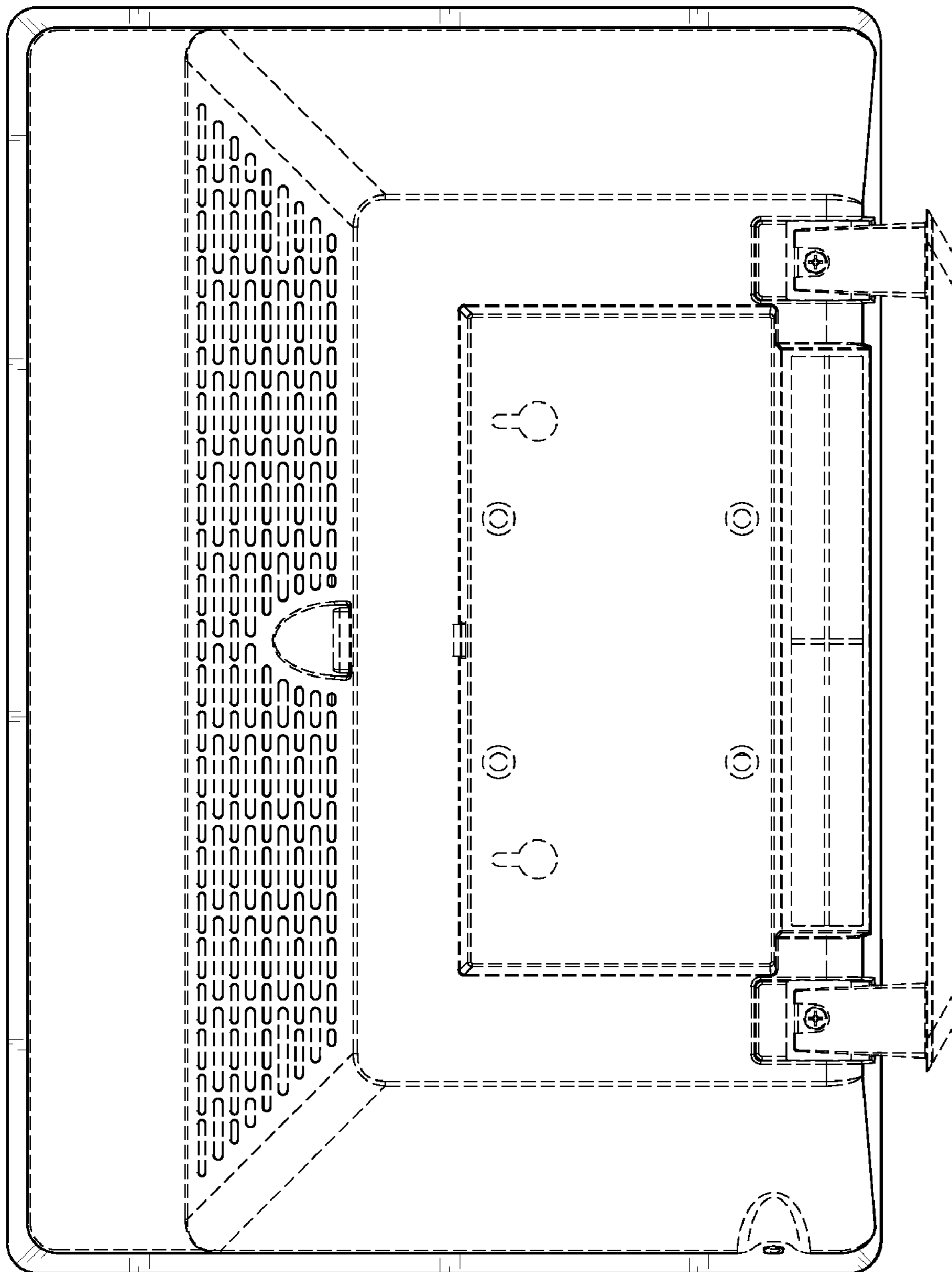


FIG. 3

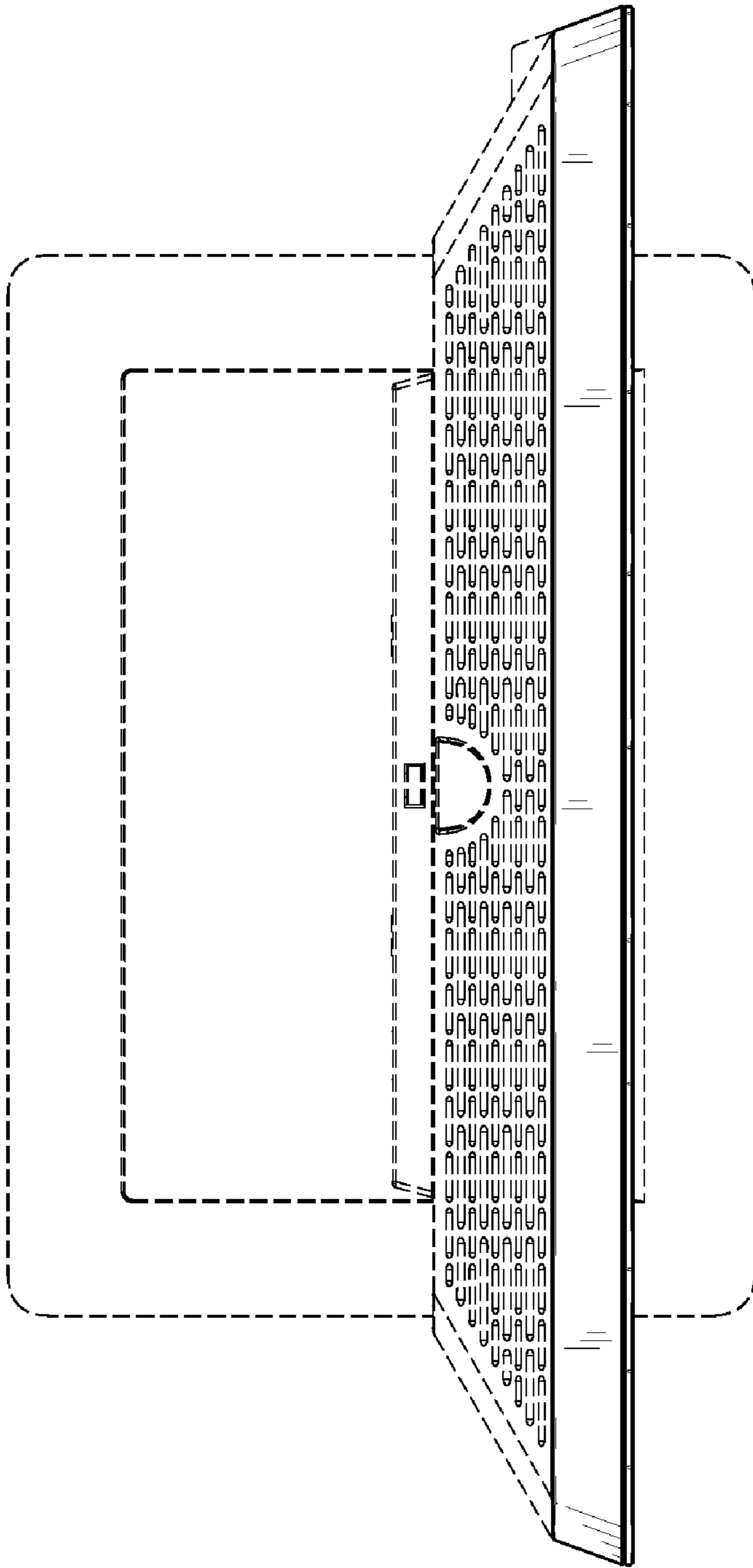


FIG. 4

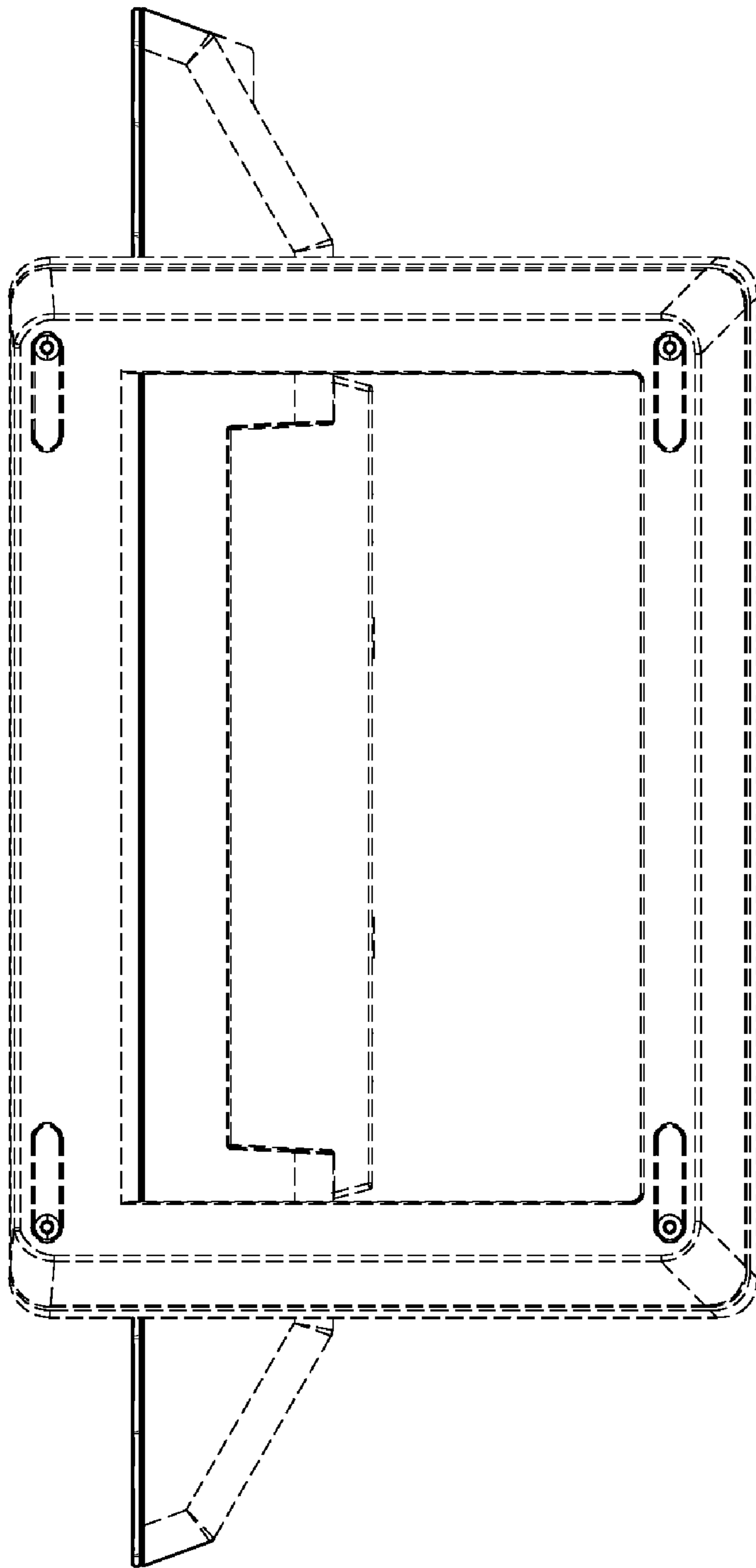


FIG. 5

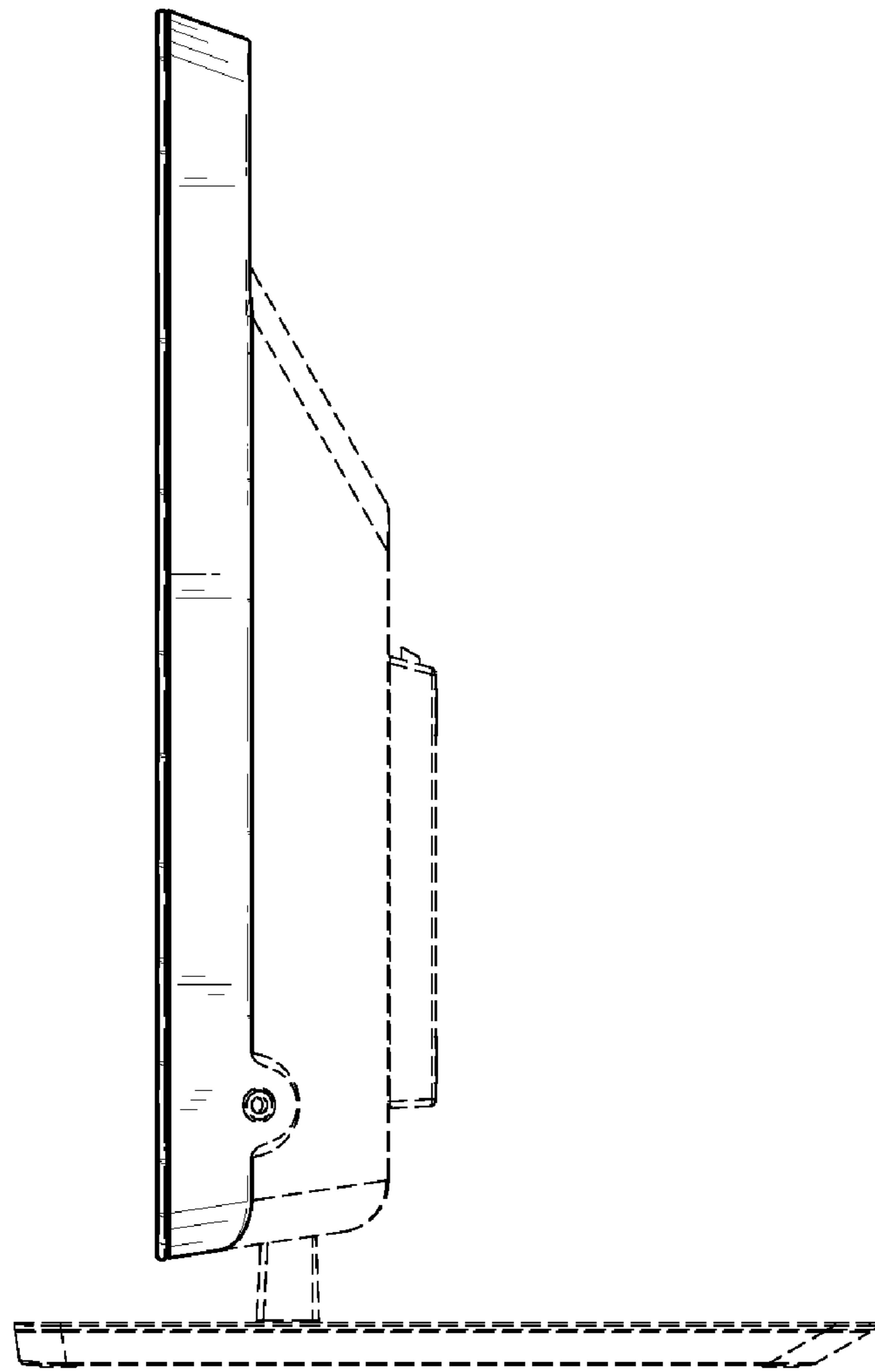


FIG. 6

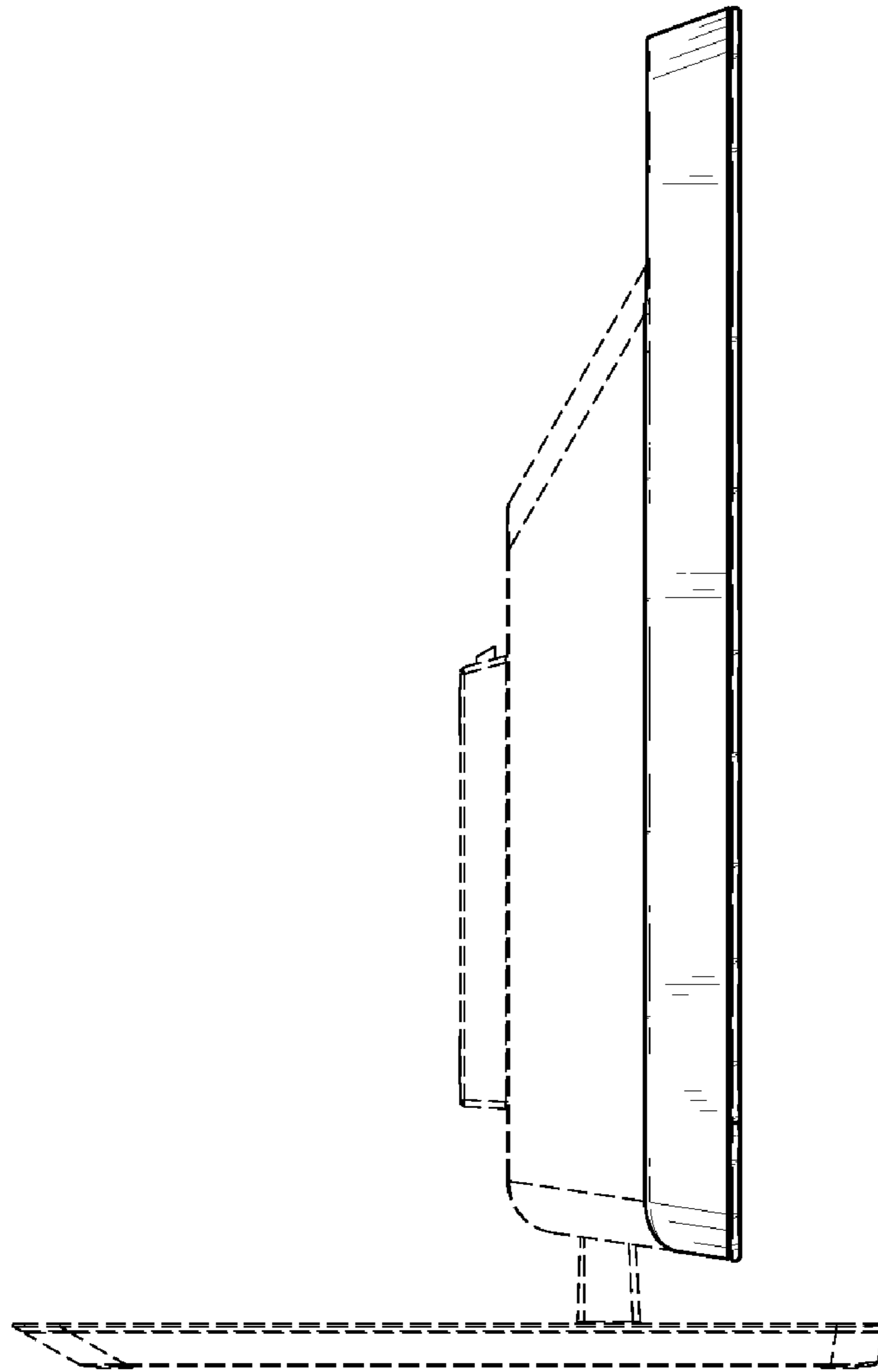


FIG. 7

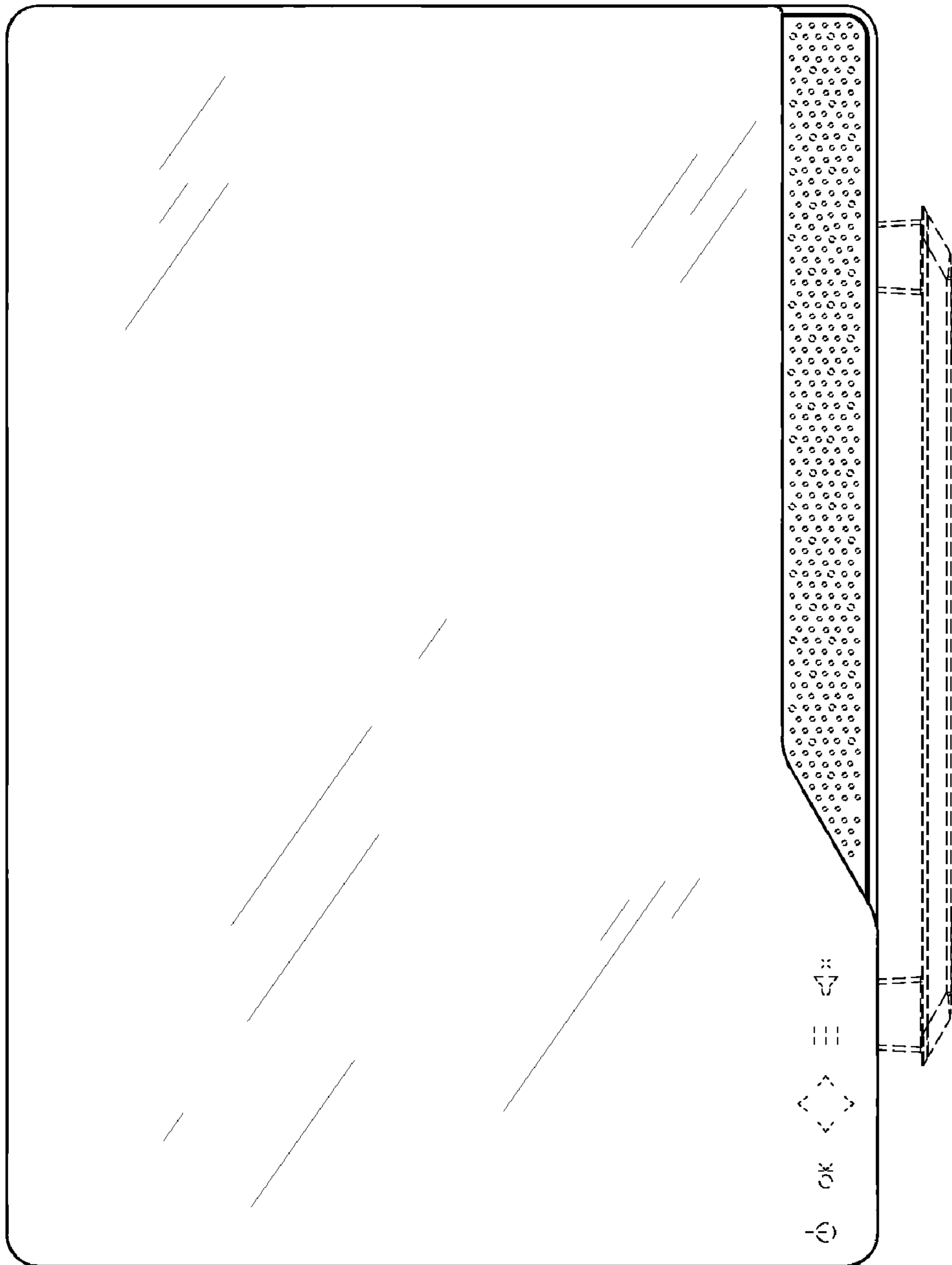


FIG. 8