



US00D609658S

(12) **United States Design Patent**
Kim et al.

(10) **Patent No.:** **US D609,658 S**
(45) **Date of Patent:** **** Feb. 9, 2010**

(54) **LCD MONITOR**

(75) Inventors: **Ki-Soo Kim**, Kyunggi-do (KR);
Tae-Yeon Won, Seoul (KR); **Kyu-Mi Han**, Seoul (KR)

(73) Assignee: **Samsung Electronics Co., Ltd.**,
Kyunggi-do (KR)

(**) Term: **14 Years**

(21) Appl. No.: **29/308,635**

(22) Filed: **Jun. 27, 2008**

(51) **LOC (9) Cl.** **14-03**

(52) **U.S. Cl.** **D14/126**

(58) **Field of Classification Search** D14/125-134,
D14/239, 371, 136, 374-377, 440, 450, 448,
D14/336, 342; 312/7.2; 348/836, 838, 180,
348/184, 325, 739; 341/12; 248/917-924,
248/465; 345/104, 133, 156, 168, 87, 173;
720/605, 669, 600, 655; 369/99, 197; D21/329,
D21/515, 577, 622, 333, 433, 448, 452, 450,
D21/331; D6/477, 479, 300; 273/148 B;
446/484, 175, 356; D10/15, 26
See application file for complete search history.

(56) **References Cited**

U.S. PATENT DOCUMENTS

D474,452 S *	5/2003	Kanatani	D14/126
D494,941 S	8/2004	Kim		
D496,010 S *	9/2004	Honda	D14/128
D499,386 S	12/2004	Yang		
D512,424 S	12/2005	Kim		
D521,511 S	5/2006	Kim et al.		
D521,996 S	5/2006	Kim et al.		
D521,997 S	5/2006	Park et al.		
D522,509 S	6/2006	Park et al.		
D524,313 S	7/2006	Boo et al.		
D527,003 S	8/2006	Kim et al.		
D528,115 S	9/2006	Yoon		
D528,116 S	9/2006	Won et al.		
D529,910 S	10/2006	Ota		
D532,764 S	11/2006	Kim et al.		

D533,848 S	12/2006	Lee et al.		
D534,510 S	1/2007	Kang et al.		
D534,883 S	1/2007	Kang et al.		
D535,267 S	1/2007	Kang et al.		
D536,677 S	2/2007	Kim et al.		
D537,079 S	2/2007	Park		
D538,765 S *	3/2007	Park et al.	D14/128
D539,242 S	3/2007	Lee et al.		
D539,281 S	3/2007	Kim et al.		
D539,767 S	4/2007	Kang et al.		
D540,275 S *	4/2007	Lewis	D14/126
D540,277 S	4/2007	Kim et al.		
D541,236 S	4/2007	Kim et al.		

(Continued)

OTHER PUBLICATIONS

U.S. Appl. No. 29/269,013, Applicant: Jun-Ho Yang et al., filed Nov. 17, 2006 entitled LCD Television Set.

(Continued)

Primary Examiner—Raphael Barkai
(74) *Attorney, Agent, or Firm*—Flynn, Thiel, Boutell & Tanis, P.C.

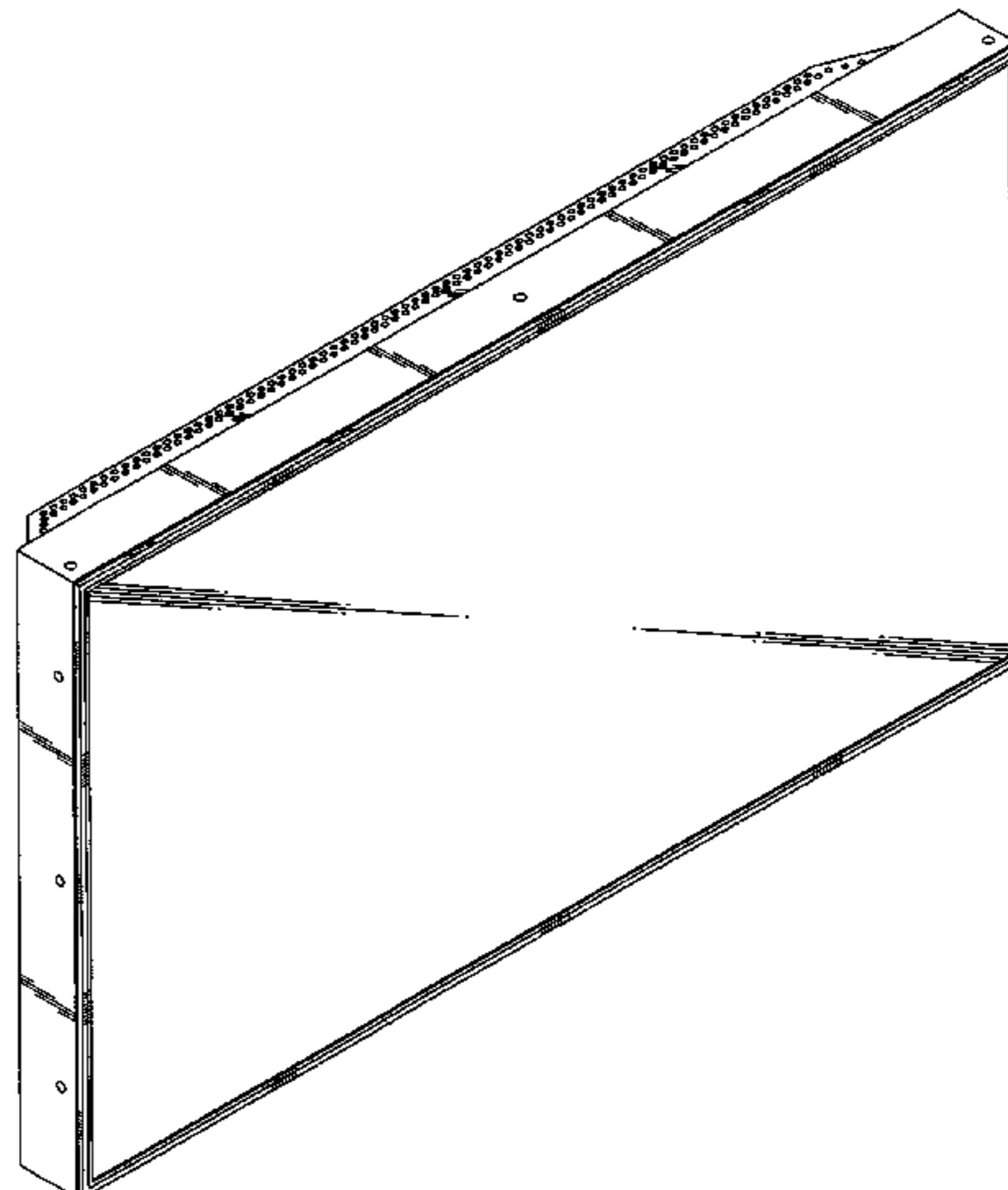
(57) **CLAIM**

The ornamental design for a LCD monitor, as shown and described.

DESCRIPTION

FIG. 1 is a top front perspective view of a LCD monitor showing our new design;
FIG. 2 is a front elevational view thereof;
FIG. 3 is a rear elevational view thereof;
FIG. 4 is a left side elevational view thereof;
FIG. 5 is a right side elevational view thereof;
FIG. 6 is a top plan view thereof; and,
FIG. 7 is a bottom plan view thereof.

1 Claim, 4 Drawing Sheets



U.S. PATENT DOCUMENTS

D541,763 S 5/2007 Kim
 D542,746 S 5/2007 Kim
 D542,747 S 5/2007 Kim et al.
 D543,163 S 5/2007 Yang et al.
 D543,164 S 5/2007 Yang et al.
 D544,849 S 6/2007 Yang et al.
 D545,312 S 6/2007 Kim
 D545,313 S 6/2007 Kim
 D545,314 S 6/2007 Kim
 D545,315 S 6/2007 Kim
 D545,316 S 6/2007 Kim
 D545,776 S 7/2007 Kwon
 D545,820 S 7/2007 Won et al.
 D546,331 S 7/2007 Kim
 D547,276 S 7/2007 Yang et al.
 D547,313 S 7/2007 Kim
 D548,205 S 8/2007 Kim et al.
 D548,206 S 8/2007 Han
 D548,708 S 8/2007 Park et al.
 D550,173 S * 9/2007 Wang et al. D14/126
 D551,186 S 9/2007 Yang et al.
 D551,194 S 9/2007 Kim et al.
 D551,636 S 9/2007 Kang et al.
 D553,108 S 10/2007 Won et al.
 D554,601 S 11/2007 Won et al.
 D556,159 S 11/2007 Park et al.
 D556,160 S 11/2007 Lee et al.
 D556,709 S 12/2007 Kim et al.
 D556,755 S 12/2007 Lee et al.
 D556,756 S 12/2007 Kataoka et al.
 D556,757 S 12/2007 Kim et al.
 D558,201 S 12/2007 Park et al.
 D558,696 S 1/2008 Park et al.
 D561,130 S 2/2008 Won et al.
 D561,134 S 2/2008 Kim et al.
 D561,135 S 2/2008 Won et al.
 D561,136 S 2/2008 Won et al.
 D564,472 S 3/2008 Won et al.

D565,521 S 4/2008 Yang et al.
 D567,198 S 4/2008 Yang et al.
 D567,199 S 4/2008 Kim et al.
 D569,818 S 5/2008 Kim et al.
 D570,841 S 6/2008 Kim et al.
 D572,680 S 7/2008 Lee et al.
 D572,682 S 7/2008 Won et al.
 D573,118 S 7/2008 Yang et al.
 D573,559 S 7/2008 Kim et al.
 D576,622 S 9/2008 Park
 D584,281 S * 1/2009 Kim et al. D14/188

OTHER PUBLICATIONS

U.S. Appl. No. 29/301,658, Applicant: Eui-Seok Kim, et al., filed Mar. 12, 2008 entitled LCD Monitor.
 U.S. Appl. No. 29/286,893, Applicant: Seung-Ho Lee, et al., filed May 22, 2007 entitled LCD Television Set.
 U.S. Appl. No. 29/293,974, Applicant: Eui-Seok Kim, et al., filed Dec. 19, 2008 entitled LCD Monitor.
 U.S. Appl. No. 29/293,973, Applicant: Eui-Seok Kim, et al., filed Dec. 19, 2007 entitled LCD Monitor.
 U.S. Appl. No. 29/291,993, Applicant: Jun-Ho Yang, et al., filed Sep. 25, 2007 entitled PDP Television Receiver.
 U.S. Appl. No. 29/301,676, Applicant: Eui-Seok Kim, et al., filed Mar. 12, 2008 entitled LCD Monitor.
 U.S. Appl. No. 29/307,957, Applicant: Jae-Seung Song, et al., filed May 20, 2008 entitled LCD Monitor.
 U.S. Appl. No. 29/307,943, Applicant: Jun-Ho Yang, et al., filed May 20, 2008 entitled LCD Television Set.
 U.S. Appl. No. 29/307,941, Applicant: Jun-Ho Yang, et al., filed May 20, 2008 entitled LCD Television Set.
 U.S. Appl. No. 29/310,075, Applicant: Kyu-Mi Han, filed Jul. 24, 2008 entitled LCD Monitor.
 U.S. Appl. No. 29/308,894, Applicant: Eui-Seok Kim, et al., filed Jul. 14, 2008 entitled LCD Monitor.
 U.S. Appl. No. 29/308,634, Applicant: Kyu-Mi Han, et al., filed Jun. 27, 2008 entitled Television Set.

* cited by examiner

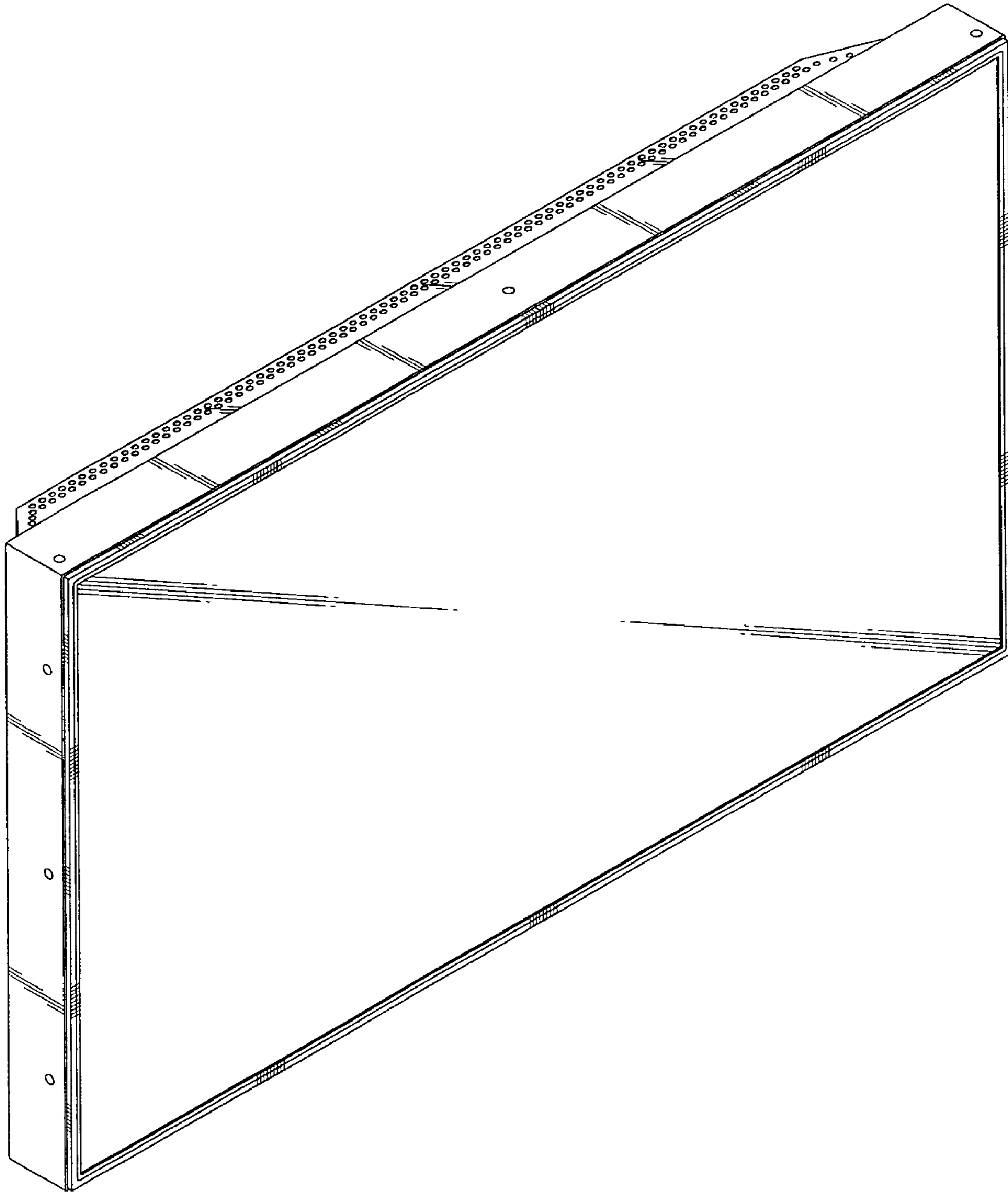


FIG. 1

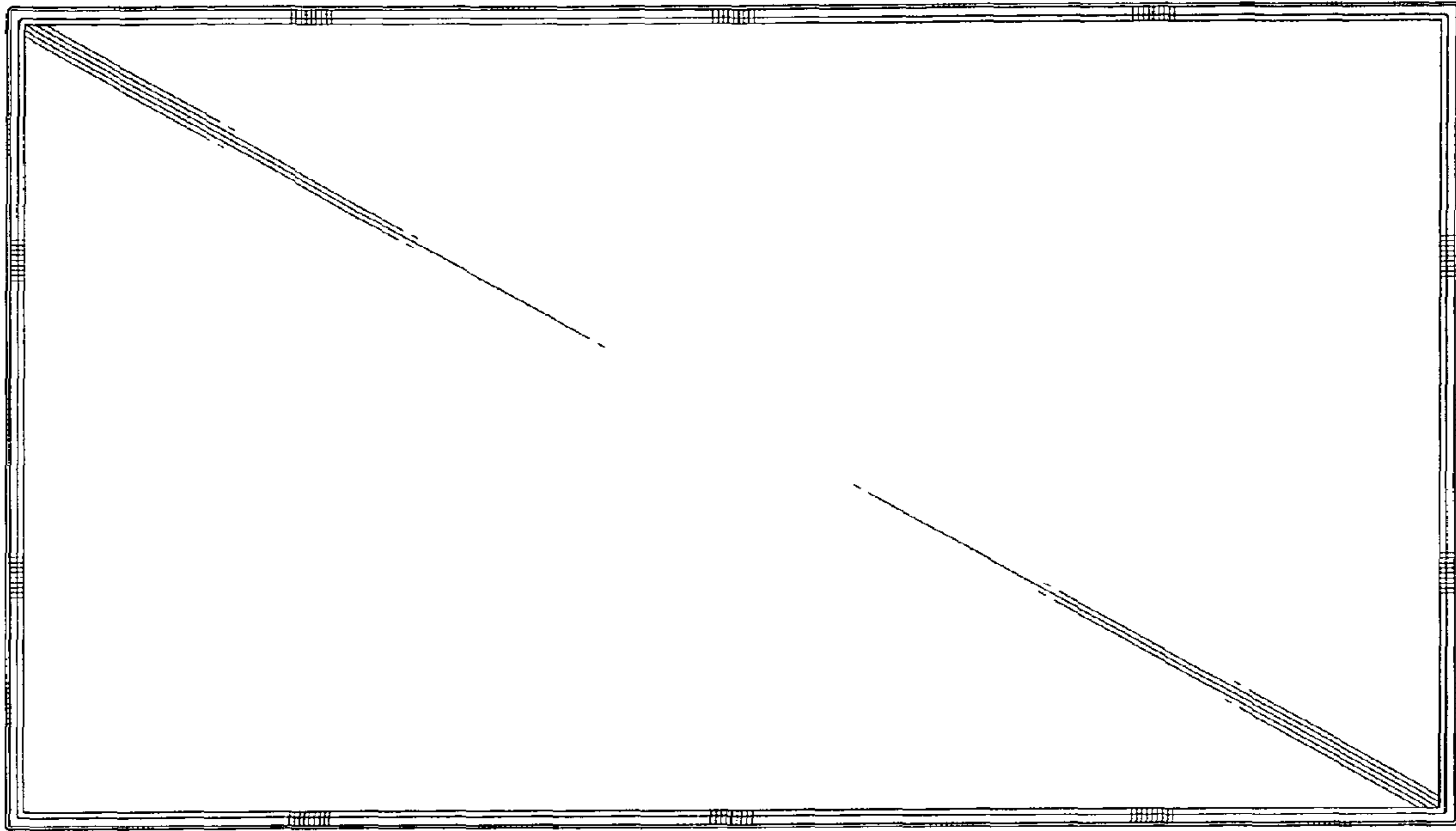


FIG. 2

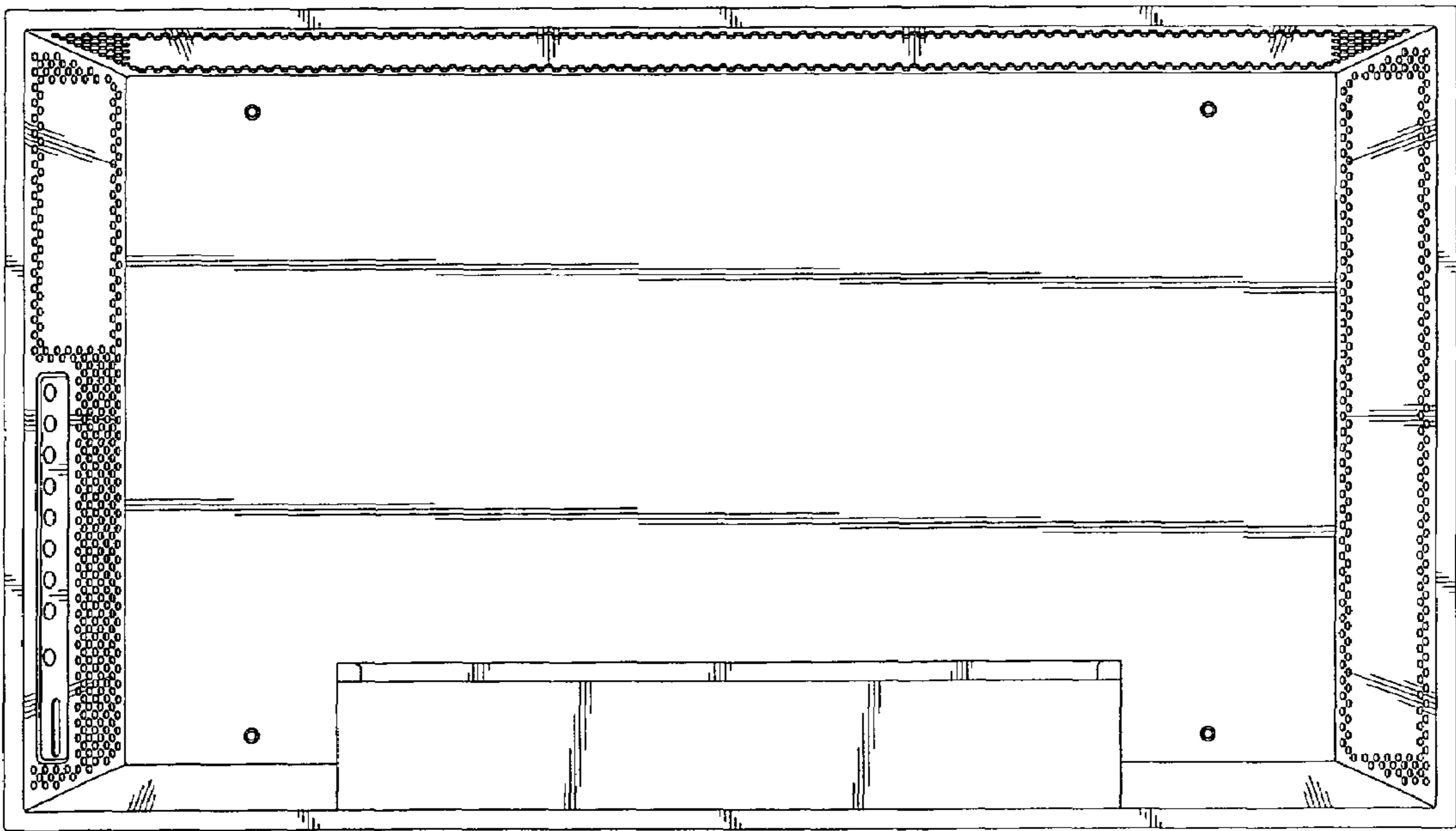


FIG. 3

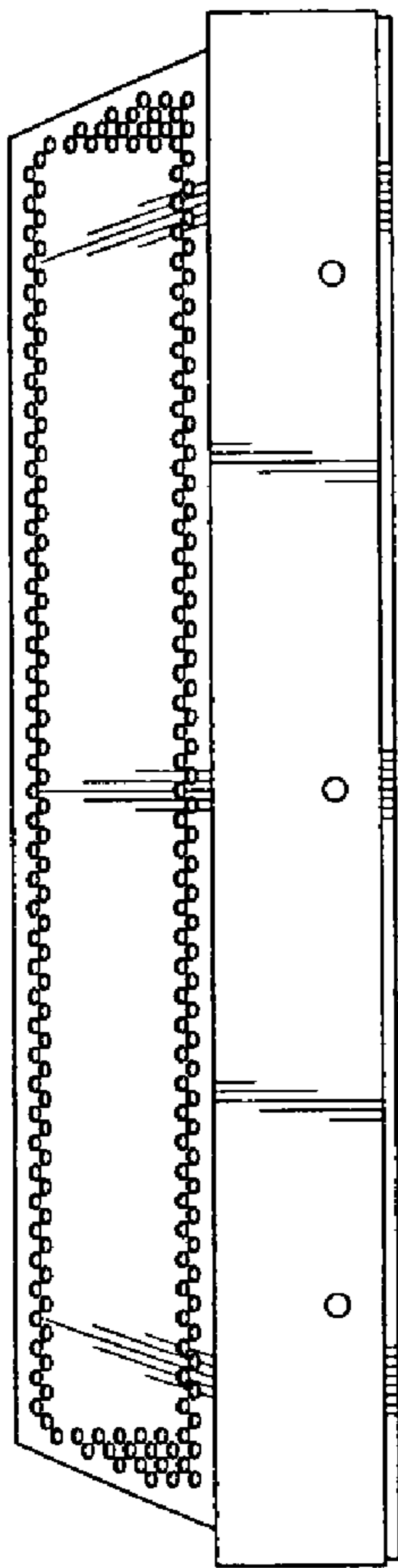


FIG. 4

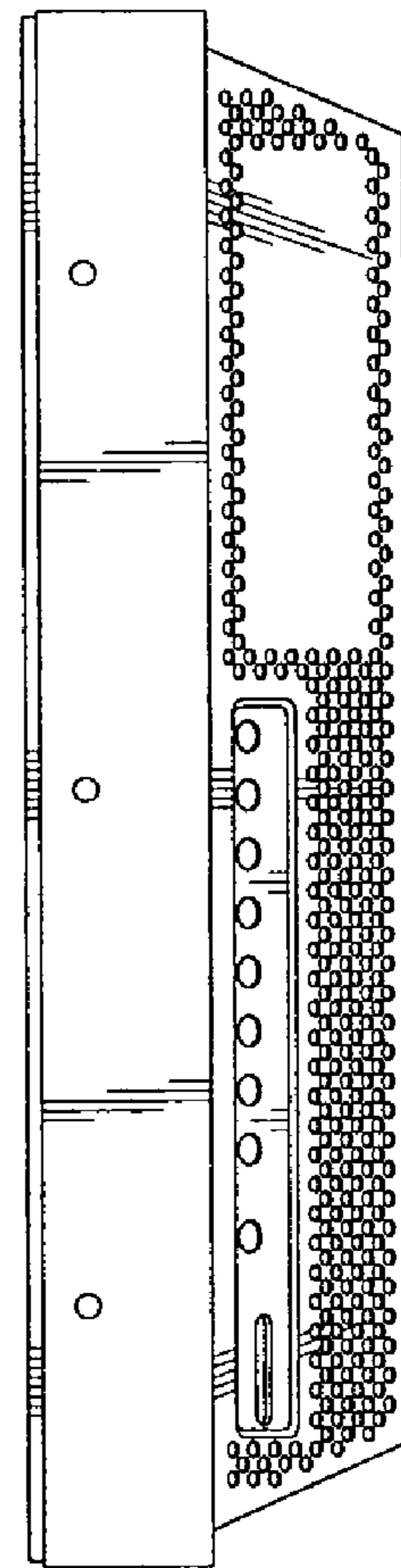


FIG. 5

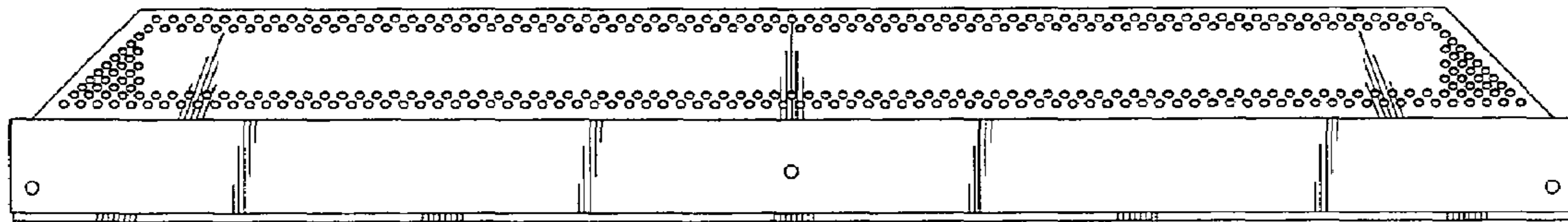


FIG. 6

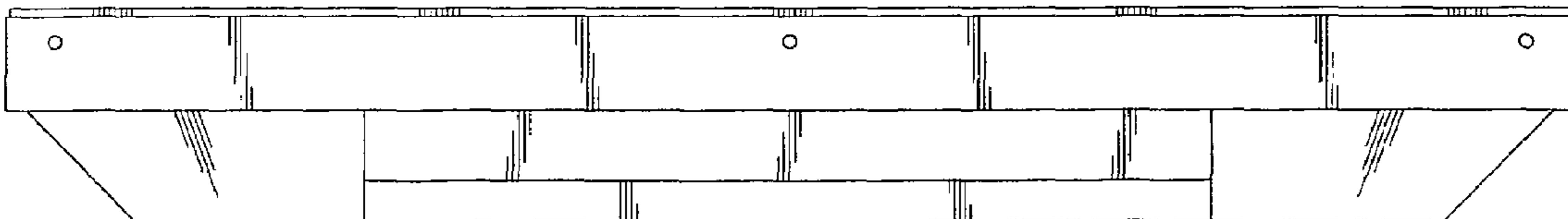


FIG. 7