



US00D609654S

(12) **United States Design Patent**
Hsieh

(10) **Patent No.:** **US D609,654 S**

(45) **Date of Patent:** **** Feb. 9, 2010**

(54) **LED PACKAGE**

(75) Inventor: **Chung Chuan Hsieh**, Taipei (TW)

(73) Assignee: **Everlight Electronic Co., Ltd.**, Taipei (TW)

(**) Term: **14 Years**

(21) Appl. No.: **29/335,029**

(22) Filed: **Apr. 7, 2009**

(30) **Foreign Application Priority Data**

Jan. 6, 2009 (TW) 98300019

(51) **LOC (9) Cl.** **13-03**

(52) **U.S. Cl.** **D13/180**

(58) **Field of Classification Search** D13/180;
D26/2; 257/79, 80, 81, 88, 89, 95, 98, 99,
257/100, E33.058; 313/483, 498, 500; 362/555,
362/800

See application file for complete search history.

(56) **References Cited**

U.S. PATENT DOCUMENTS

D500,294 S * 12/2004 Ishida D13/180
D512,693 S * 12/2005 Kim et al. D13/180
7,242,035 B2 * 7/2007 Kim et al. 257/99

D576,114 S * 9/2008 Choi et al. D13/180
D598,872 S * 8/2009 In et al. D13/180
2002/0149314 A1 * 10/2002 Takahashi et al. 313/500
2006/0023451 A1 * 2/2006 Han et al. 362/249

* cited by examiner

Primary Examiner—Selina Sikder

(74) *Attorney, Agent, or Firm*—Moore & Van Allen PLLC; W. Kevin Ransom

(57) **CLAIM**

The ornamental design for the led package, as shown and as described.

DESCRIPTION

FIG. 1 is a perspective view showing the led package of my new design;

FIG. 2 is another perspective view showing the led package of my new design;

FIG. 3 is a front view thereof;

FIG. 4 is a rear view thereof;

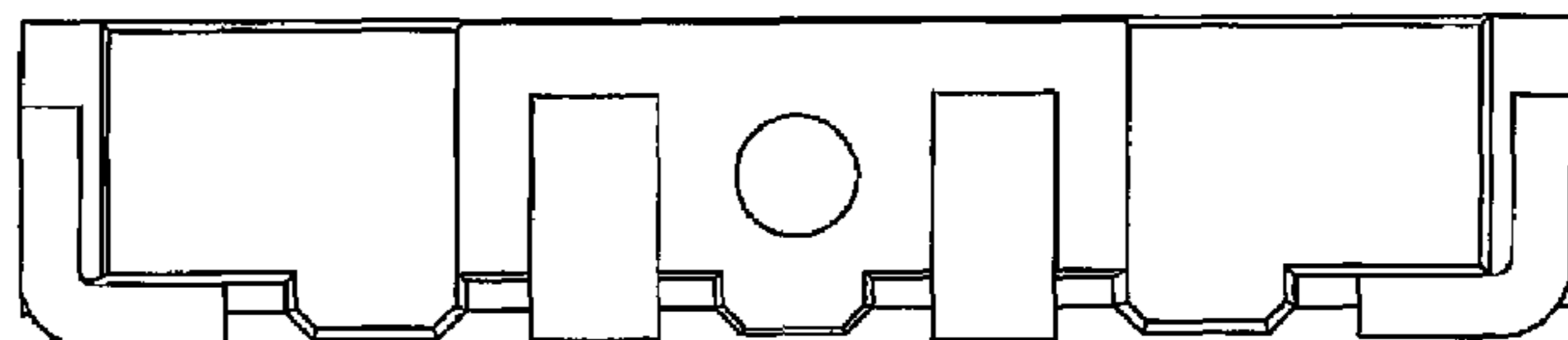
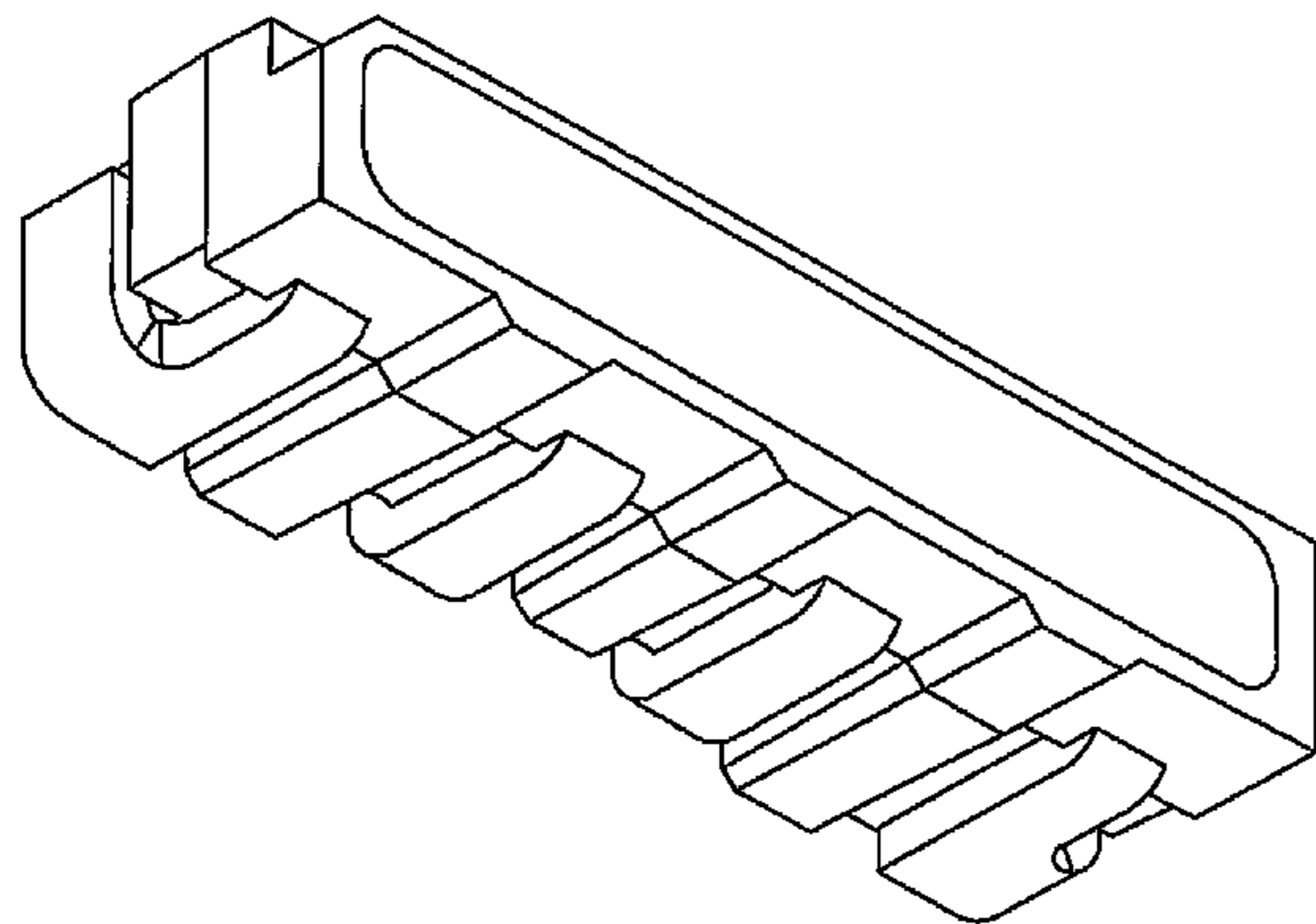
FIG. 5 is a left side view thereof;

FIG. 6 is a right side view thereof;

FIG. 7 is a top view thereof; and,

FIG. 8 is a bottom view thereof.

1 Claim, 4 Drawing Sheets



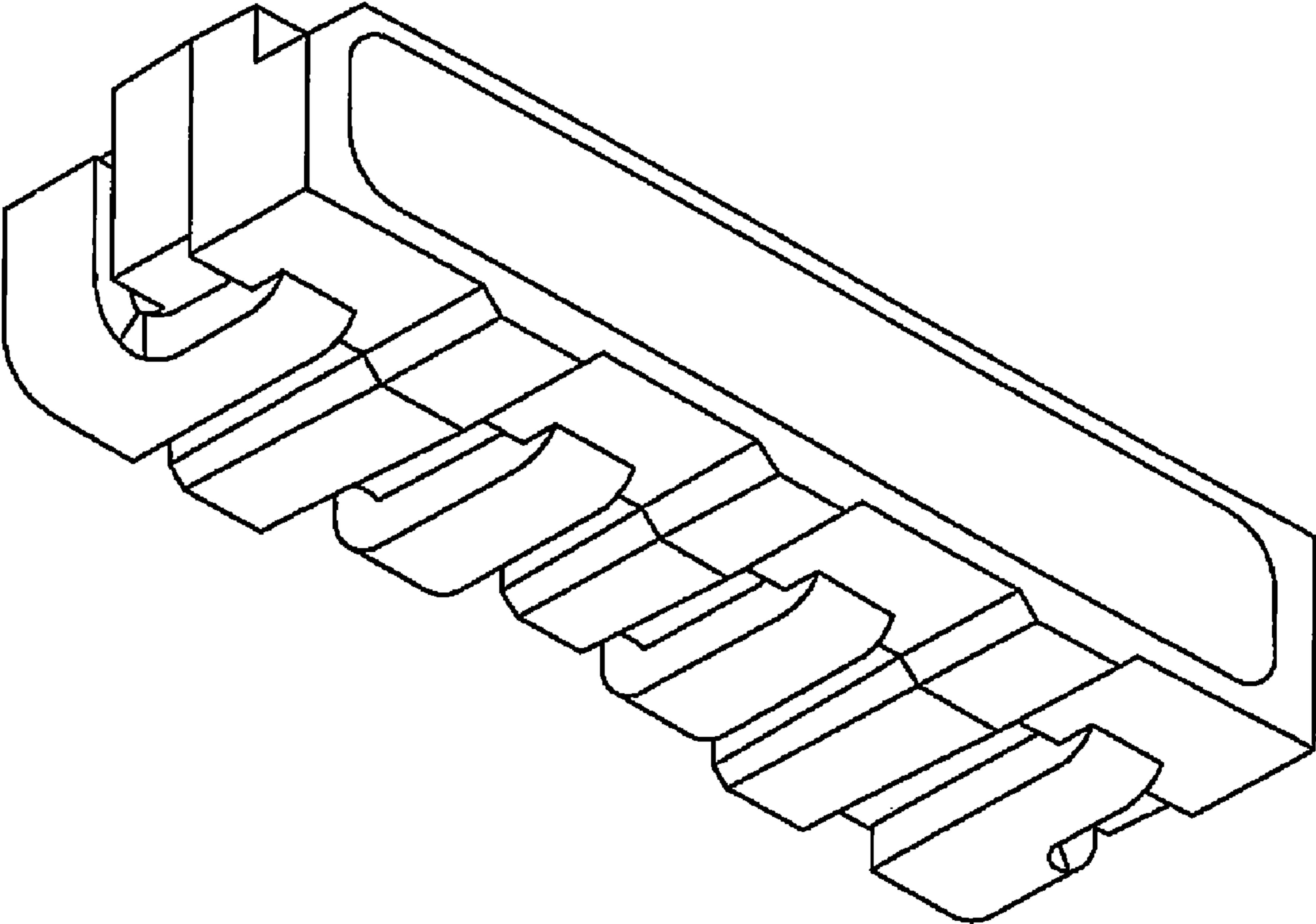


Fig. 1

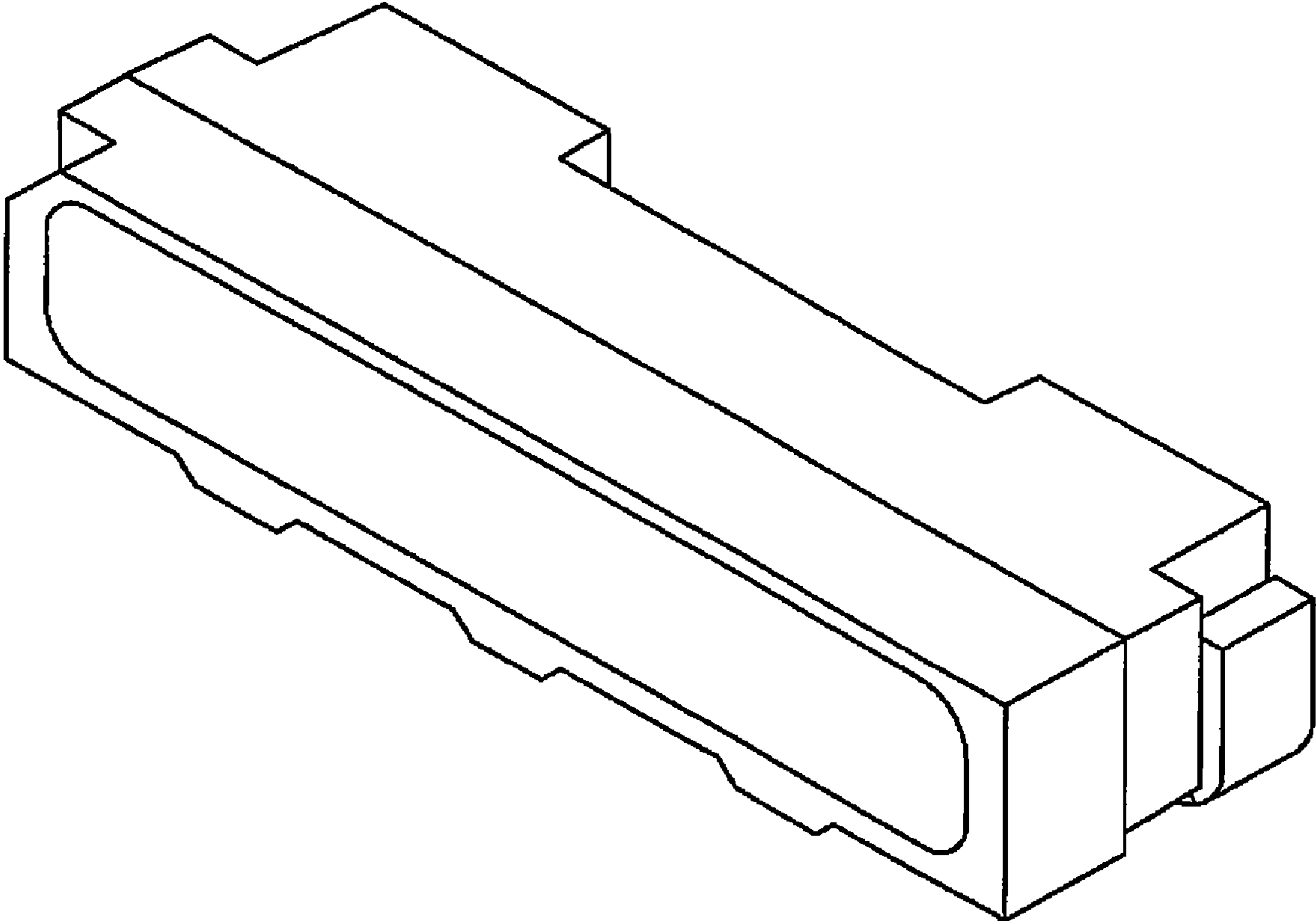


Fig. 2

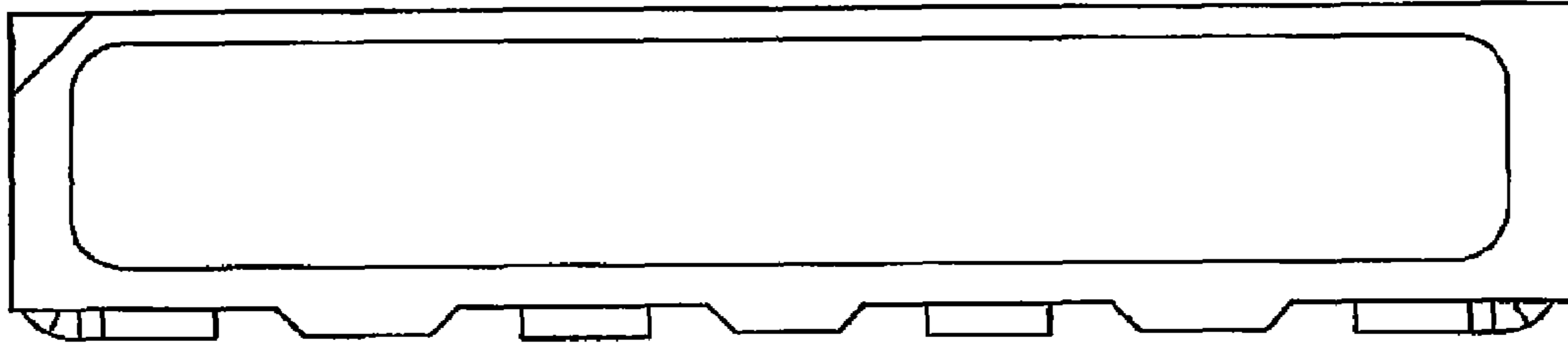


Fig. 3

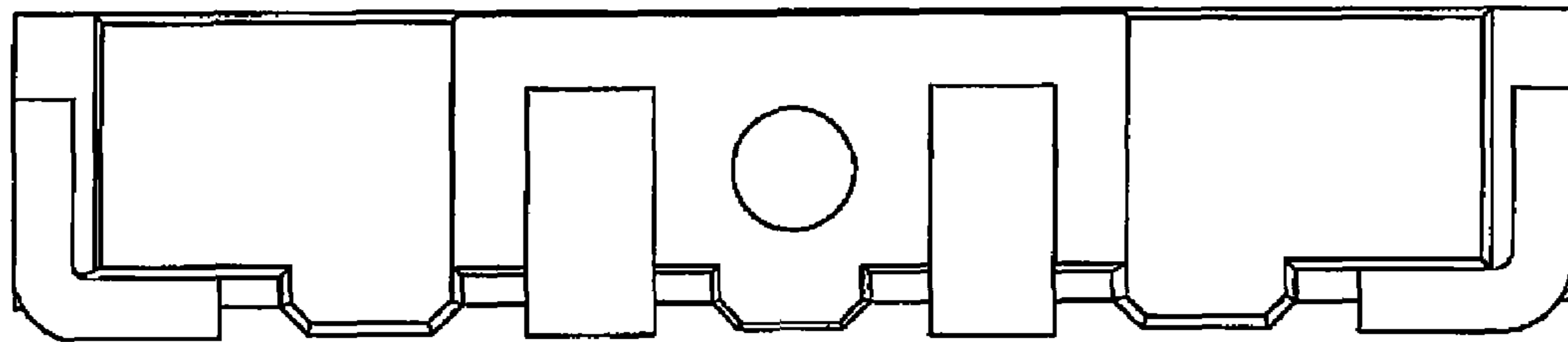


Fig. 4

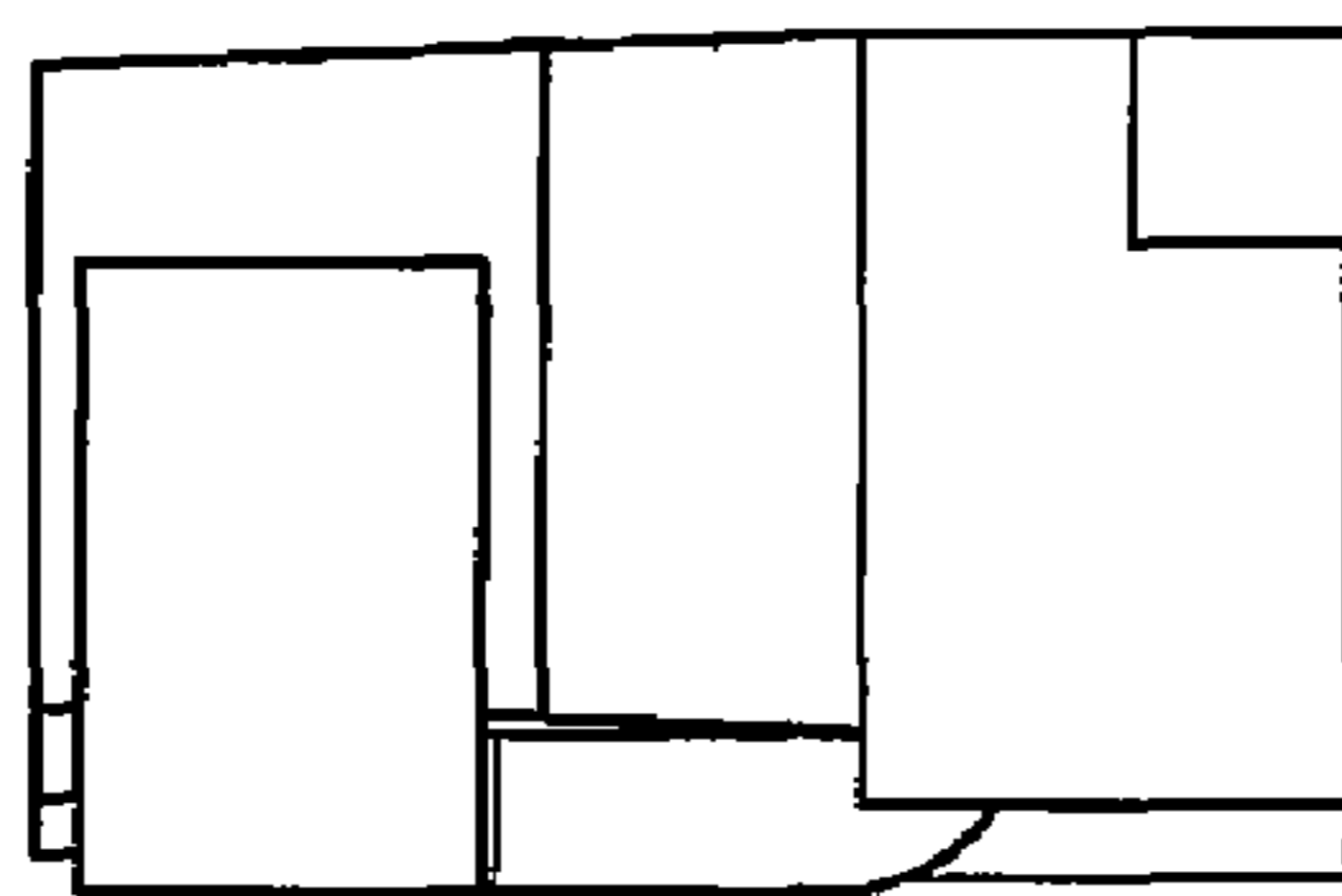


Fig. 5

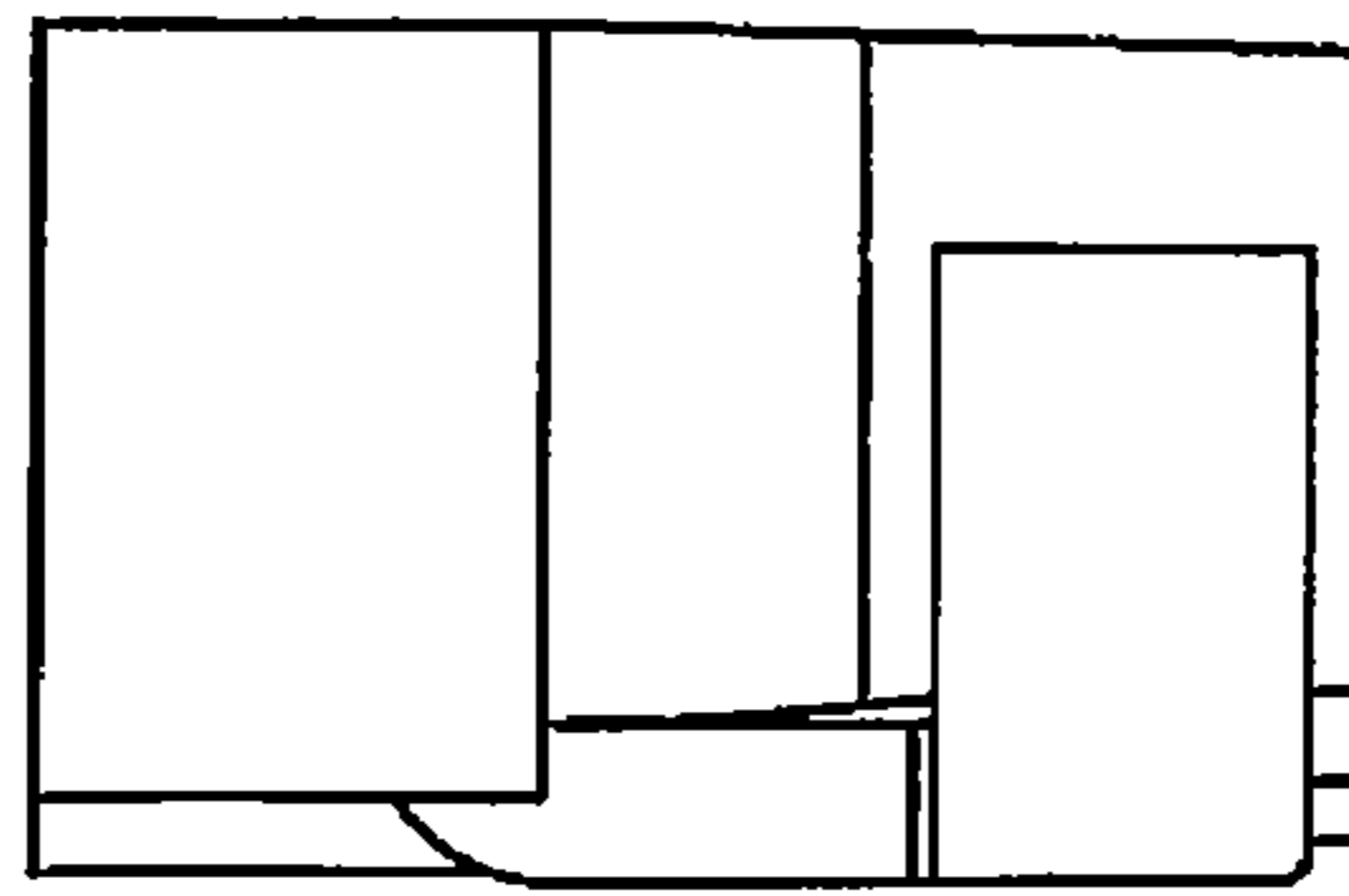


Fig. 6

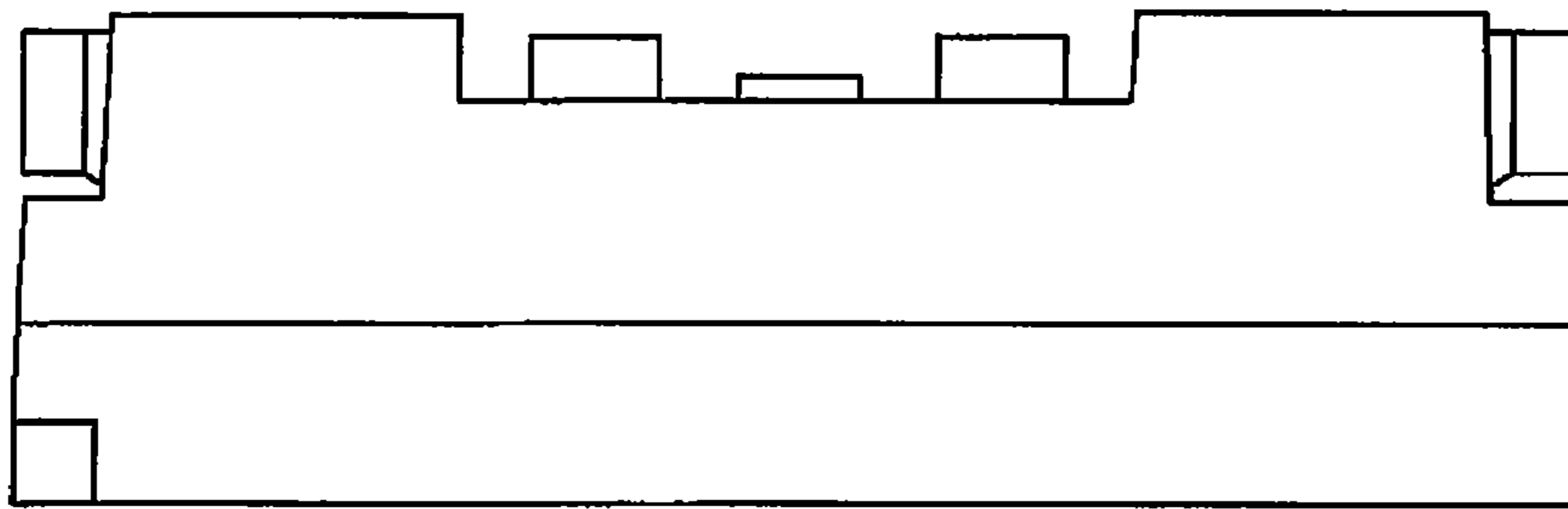


Fig. 7

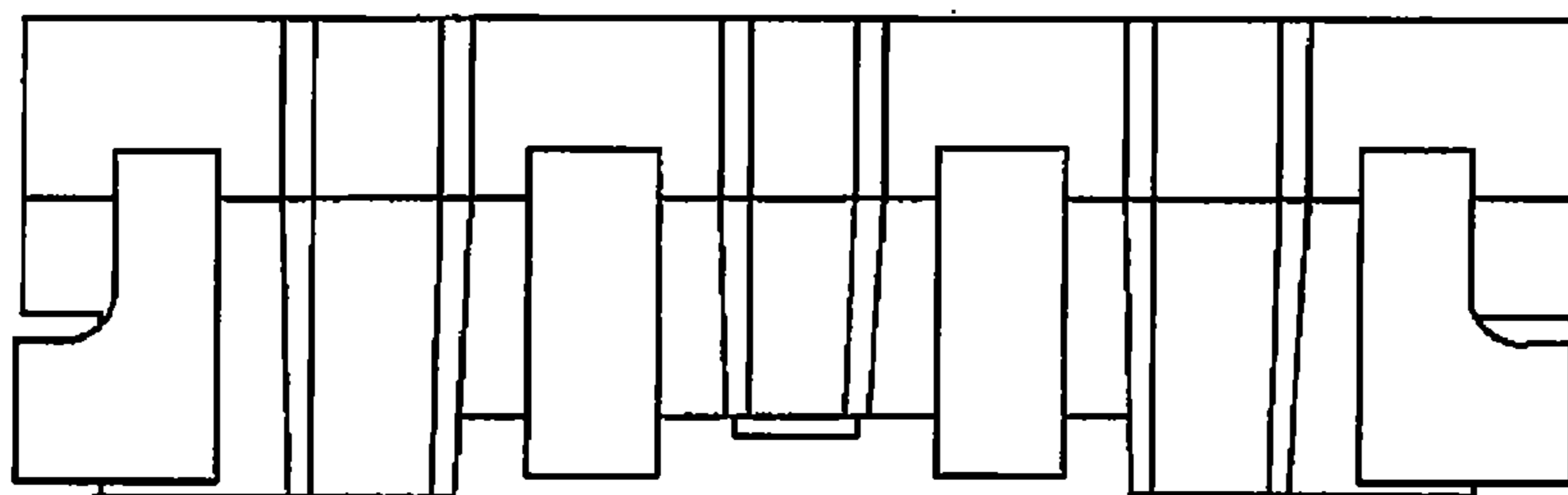


Fig. 8