



US00D609653S

(12) **United States Design Patent**  
**Watanabe et al.**

(10) **Patent No.:** **US D609,653 S**

(45) **Date of Patent:** **\*\* Feb. 9, 2010**

(54) **LIGHT RECEIVING AND EMITTING DEVICE**

2009/0020778 A1\* 1/2009 Noichi ..... 257/99  
2009/0065796 A1\* 3/2009 Watanabe ..... 257/99

(75) Inventors: **Tamitoshi Watanabe**, Kitakyushu (JP);  
**Yasunori Nagahata**, Kitakyushu (JP)

**FOREIGN PATENT DOCUMENTS**

(73) Assignee: **Kabushiki Kaisha Toshiba** (JP)

JP 712549 9/1987  
JP 712549-1 9/1987  
JP 712549-2 11/1997  
KR 30-0344867 2/2004  
KR 30-0364191-02 10/2004

(\*\*) Term: **14 Years**

\* cited by examiner

(21) Appl. No.: **29/332,721**

*Primary Examiner*—Selina Sikder

(22) Filed: **Feb. 24, 2009**

(74) *Attorney, Agent, or Firm*—Banner & Witcoff, Ltd.

(30) **Foreign Application Priority Data**

Oct. 7, 2008 (JP) ..... 2008-025784  
Oct. 7, 2008 (JP) ..... 2008-025785

(57) **CLAIM**

(51) **LOC (9) Cl.** ..... **13-03**

The ornamental design for a light receiving and emitting device, as shown and described.

(52) **U.S. Cl.** ..... **D13/180**

**DESCRIPTION**

(58) **Field of Classification Search** ..... D13/180;  
D26/2; 257/79, 80, 81, 88, 89, 95, 98, 99,  
257/100; 313/483, 498, 500; 362/555, 800  
See application file for complete search history.

FIG. 1 is a front, top and left side perspective view of a light receiving and emitting device, showing our new design;

FIG. 2 is a front elevational view thereof; the opposite side being identical thereof;

FIG. 3 is a top plan view thereof;

FIG. 4 is a bottom plan view thereof; and,

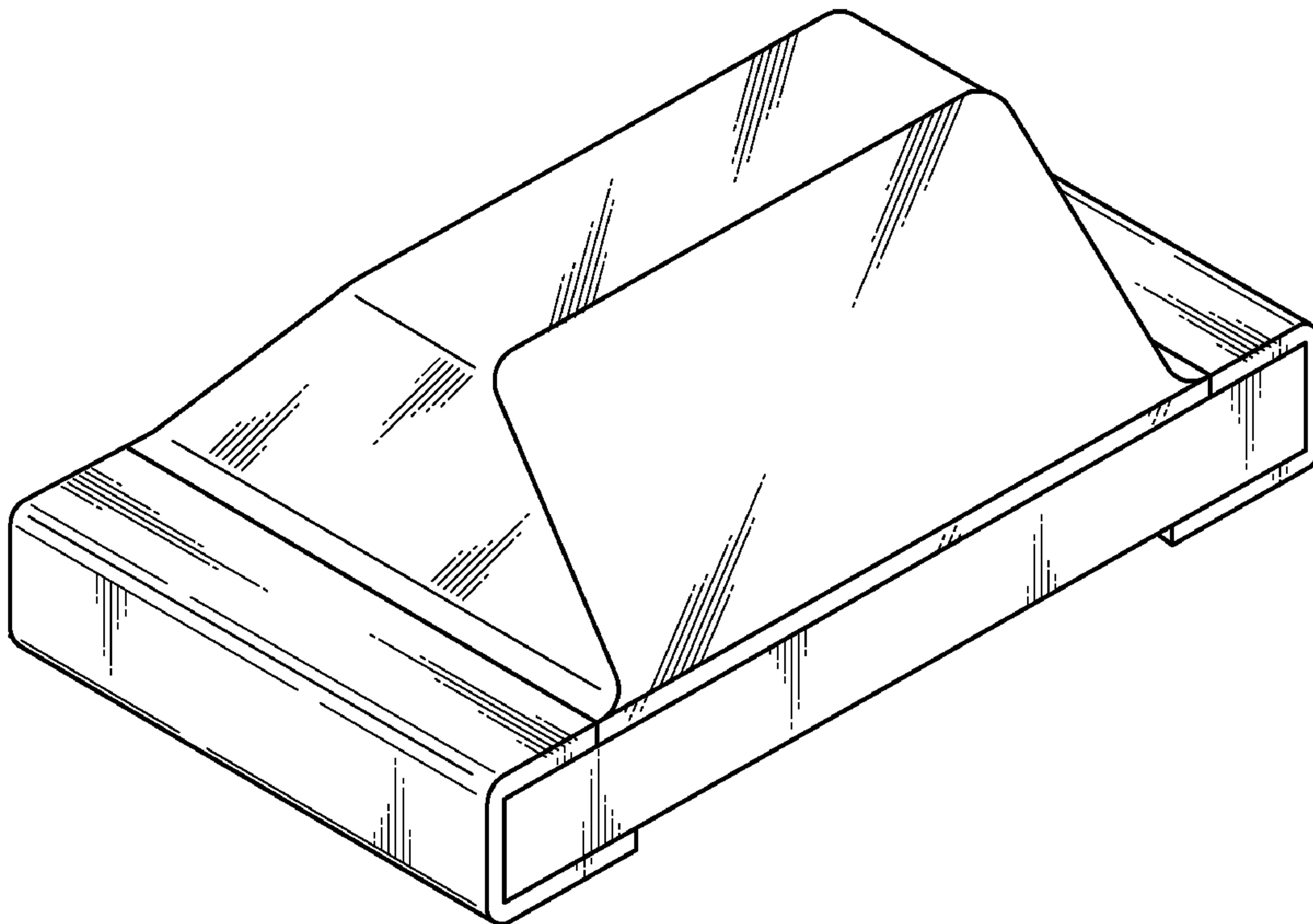
FIG. 5 is a right side elevational view thereof; the opposite side being identical thereof.

(56) **References Cited**

**U.S. PATENT DOCUMENTS**

6,624,491 B2\* 9/2003 Waitl et al. .... 257/434  
D520,466 S \* 5/2006 Kamiya et al. .... D13/180  
7,491,977 B2\* 2/2009 Fukasawa ..... 257/98  
2006/0186431 A1\* 8/2006 Miki et al. .... 257/100

**1 Claim, 3 Drawing Sheets**



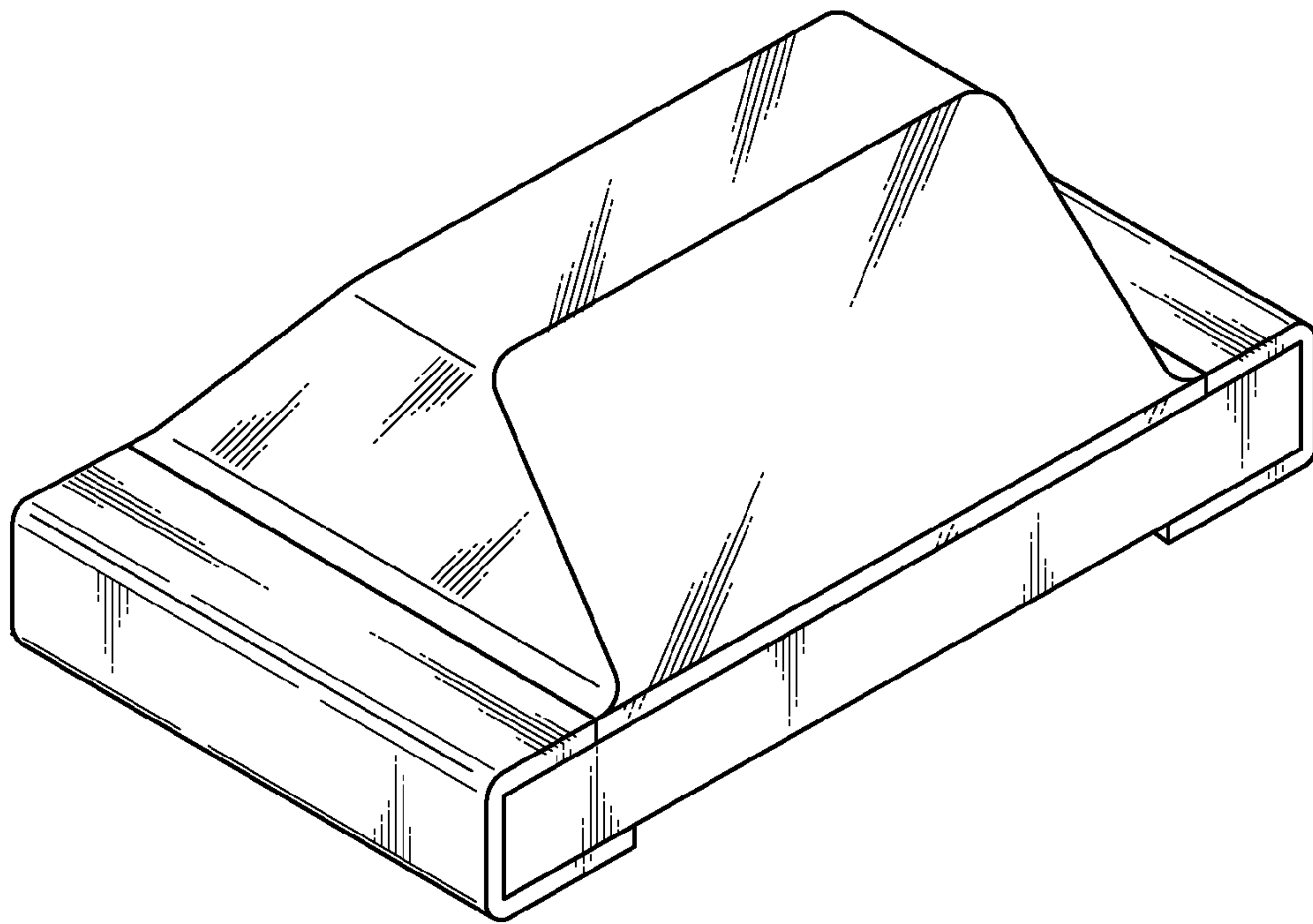


FIG. 1

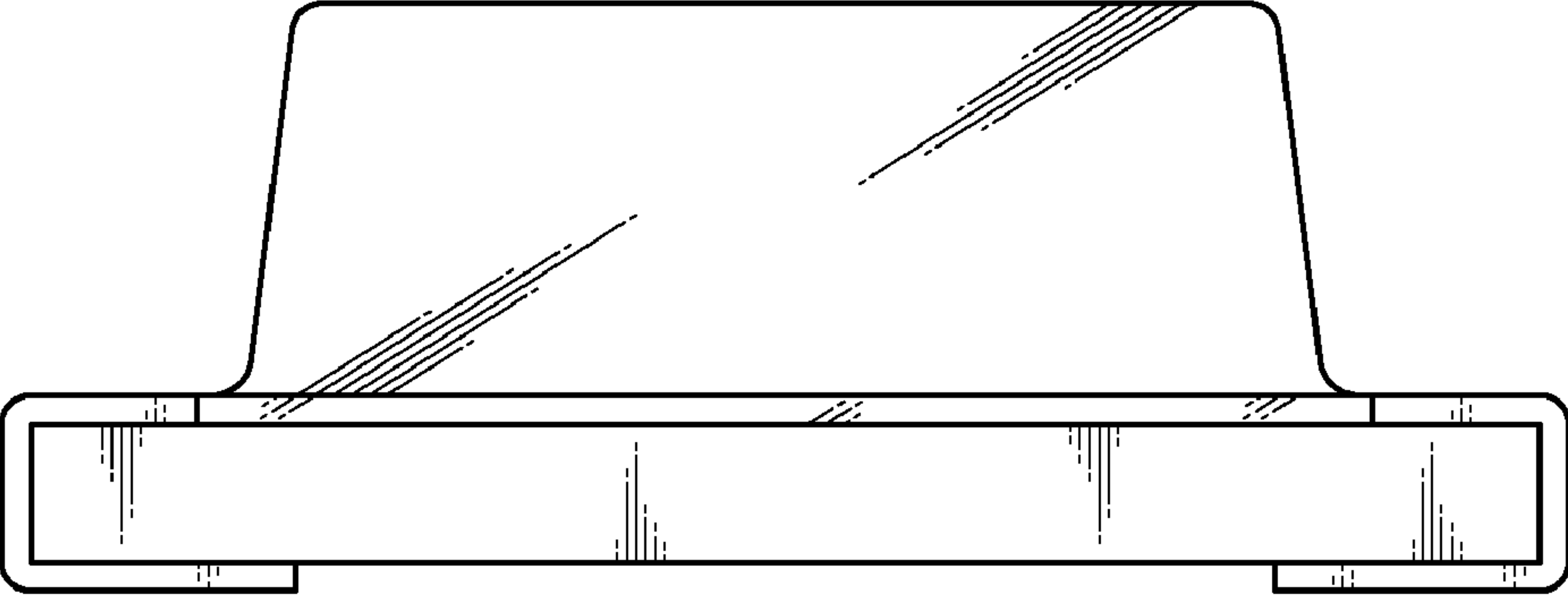


FIG. 2

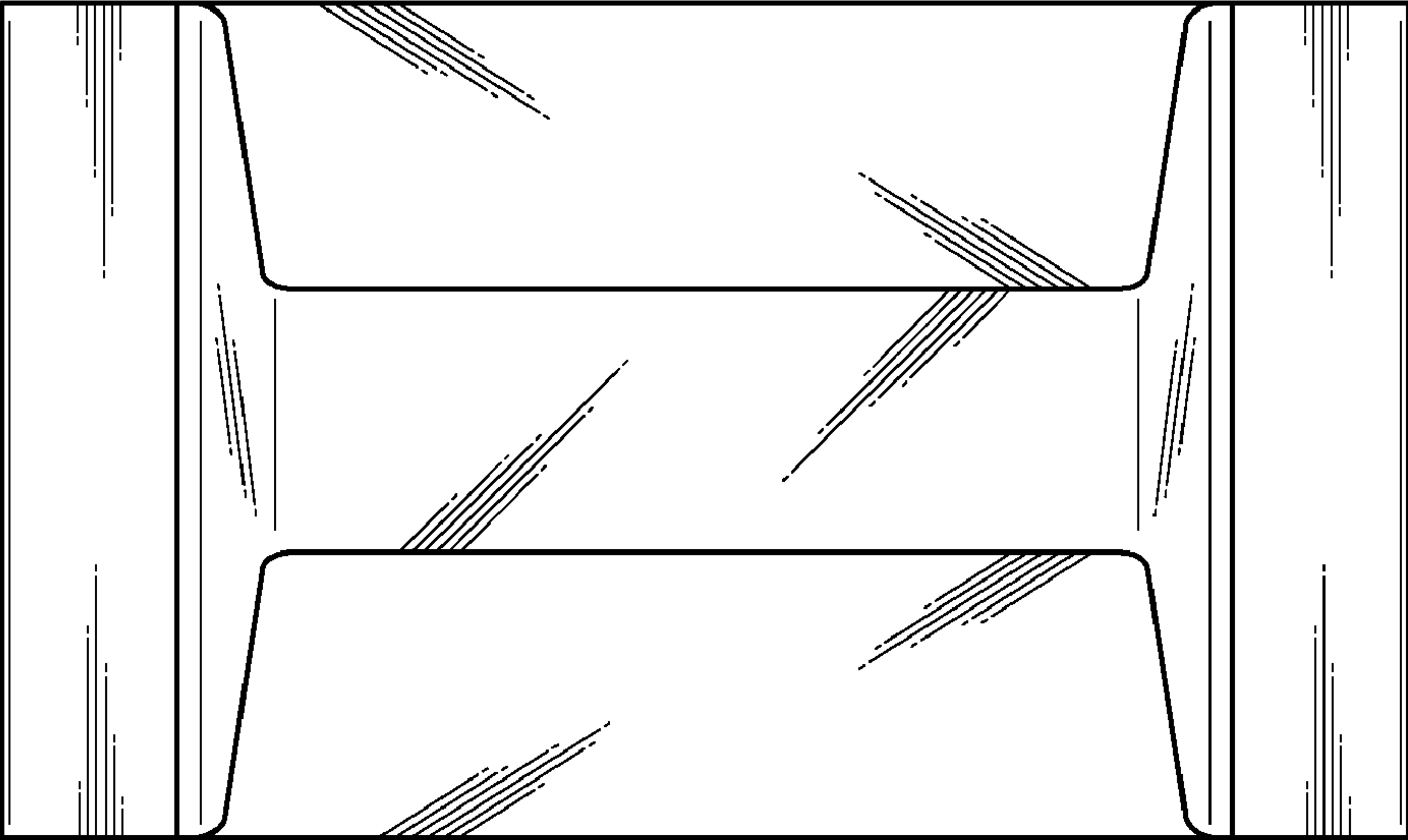


FIG. 3

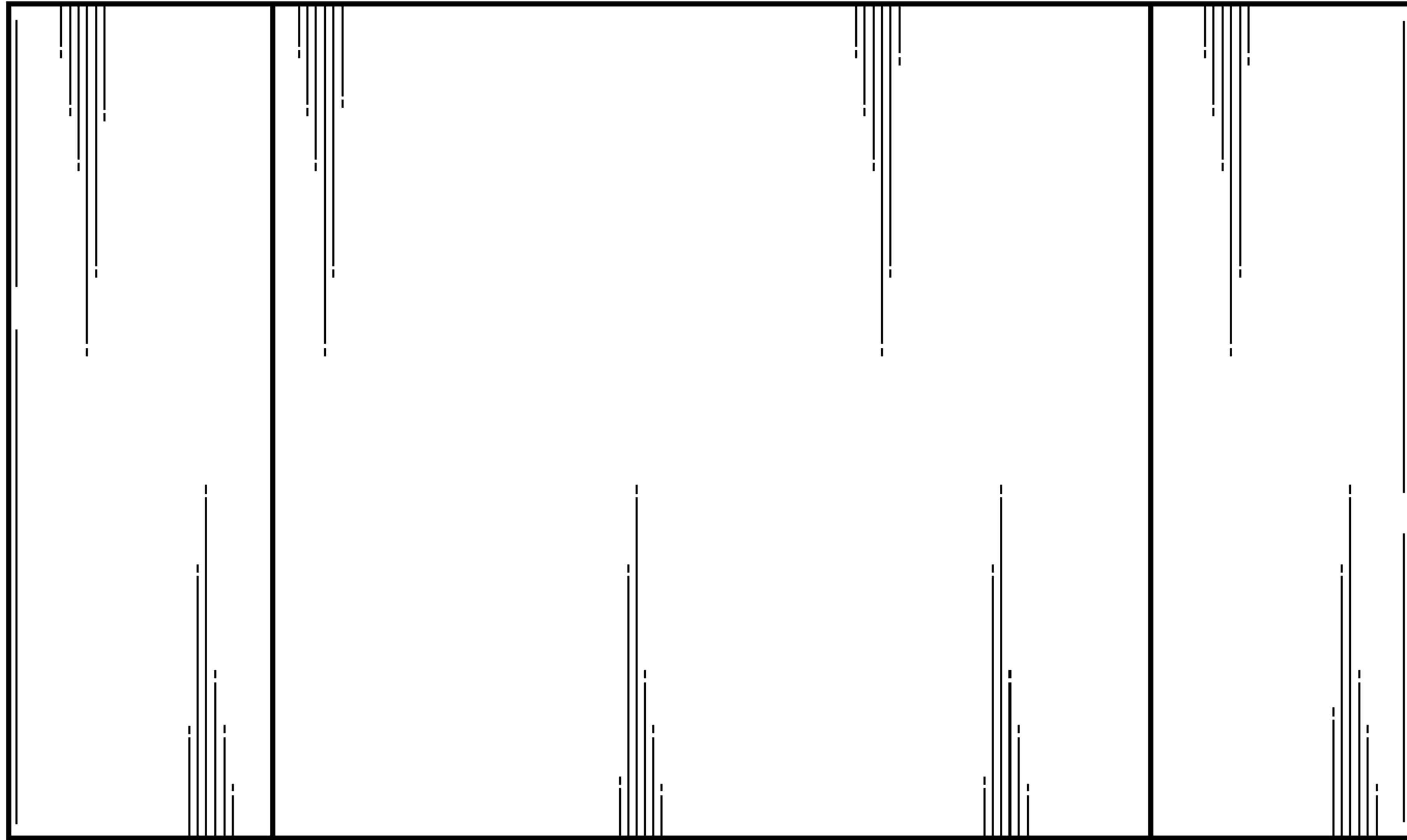


FIG. 4

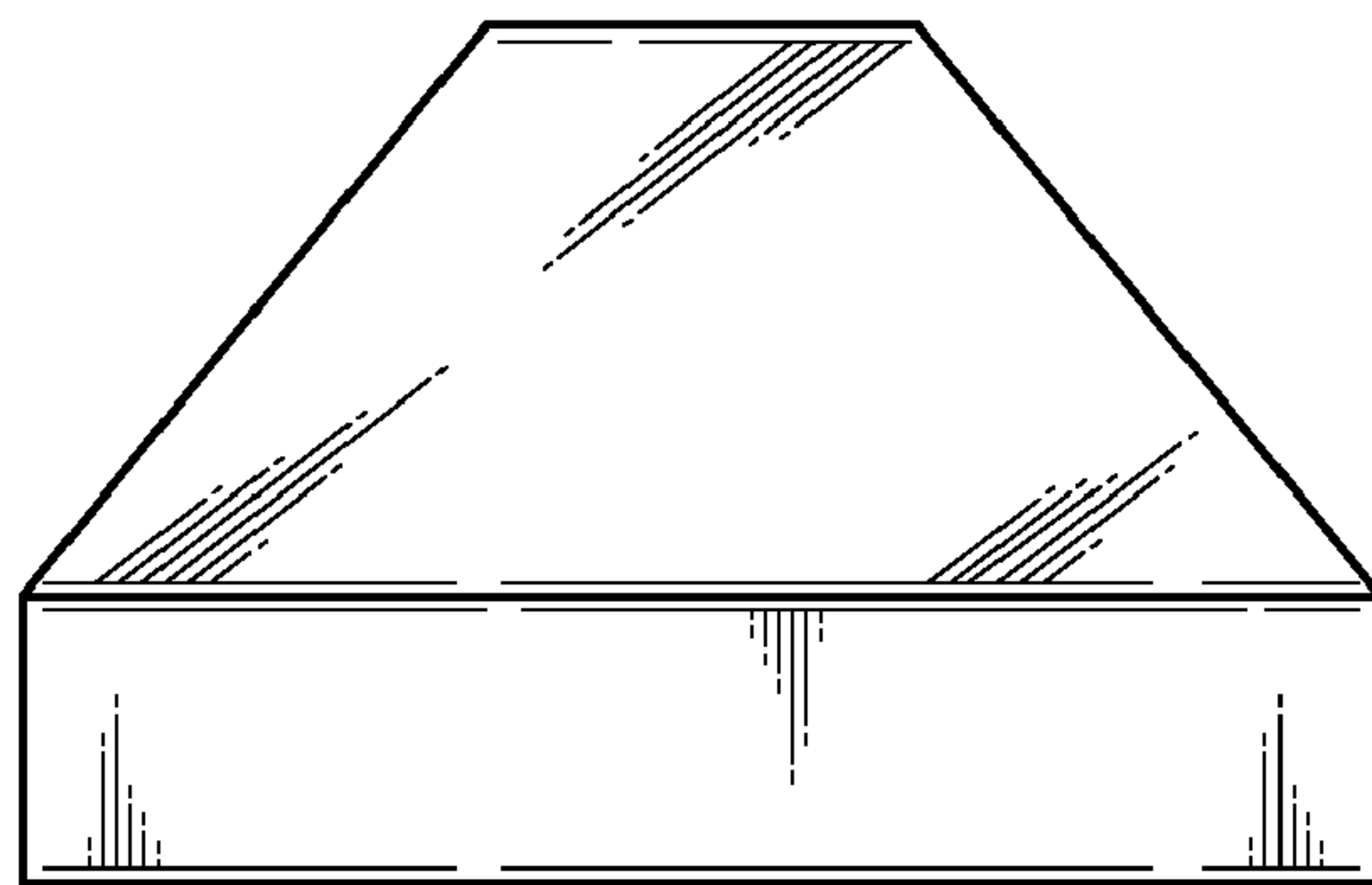


FIG. 5