



US00D609650S

(12) **United States Design Patent**  
**Chou et al.**

(10) **Patent No.:** **US D609,650 S**

(45) **Date of Patent:** **\*\* \*Feb. 9, 2010**

(54) **DIMMER SWITCH**

(75) Inventors: **Cheng-Lung (John) Chou**, Great Neck, NY (US); **Alfred J. Lombardi**, Syosset, NY (US); **Andrew E. Rawlins**, Reston, VA (US); **Selin Glickman**, Woodbury, NY (US)

(73) Assignee: **Leviton Manufacturing Co., Inc.**, Little Neck, NY (US)

(\*) Notice: This patent is subject to a terminal disclaimer.

(\*\*) Term: **14 Years**

(21) Appl. No.: **29/320,584**

(22) Filed: **Jun. 30, 2008**

**Related U.S. Application Data**

(63) Continuation-in-part of application No. 29/289,425, filed on Jul. 18, 2007, now Pat. No. Des. 576,565.

(51) **LOC (9) Cl.** ..... **13-03**

(52) **U.S. Cl.** ..... **D13/169**

(58) **Field of Classification Search** ..... D13/169;  
174/66; 200/5 R, 1 B, 433, 525, 553, 315,  
200/329, 335, 332, 339; 338/176; 315/291-296  
See application file for complete search history.

(56) **References Cited**

**U.S. PATENT DOCUMENTS**

4,489,297 A	12/1984	Haydon et al.
4,669,804 A	6/1987	Munroe
4,924,151 A	5/1990	D'Aleo et al.
5,038,081 A	8/1991	Maiale, Jr. et al.
5,059,871 A	10/1991	Pearlman et al.
5,101,141 A	3/1992	Warner et al.
D331,743 S	12/1992	Fujiyoshi
5,191,265 A	3/1993	D'Aleo et al.
5,225,765 A	7/1993	Callahan et al.
5,248,919 A	9/1993	Hanna et al.
5,319,301 A	6/1994	Callahan et al.

D353,798 S	12/1994	Bryde et al.
5,430,356 A	7/1995	Ference et al.
5,510,679 A	4/1996	Maiale, Jr. et al.
5,530,322 A	6/1996	Ference et al.
5,662,213 A	9/1997	Kattler et al.
D391,924 S	3/1998	Mayo et al.
5,895,888 A	4/1999	Arenas et al.
5,909,087 A	6/1999	Bryde et al.
5,950,812 A	9/1999	Tanacan et al.

(Continued)

*Primary Examiner*—Selina Sikder

(74) *Attorney, Agent, or Firm*—Carter, DeLuca, Farrell & Schmidt, LLP

(57) **CLAIM**

The ornamental design for a dimmer switch, as shown and described.

**DESCRIPTION**

FIG. 1 is a front left perspective view illustrating our new design for a dimmer switch with the broken lines showing, for illustrative purposes only, a back plate and a housing that is not part of the claimed design;

FIG. 2 is a front view thereof with the dashed lines showing the back plate;

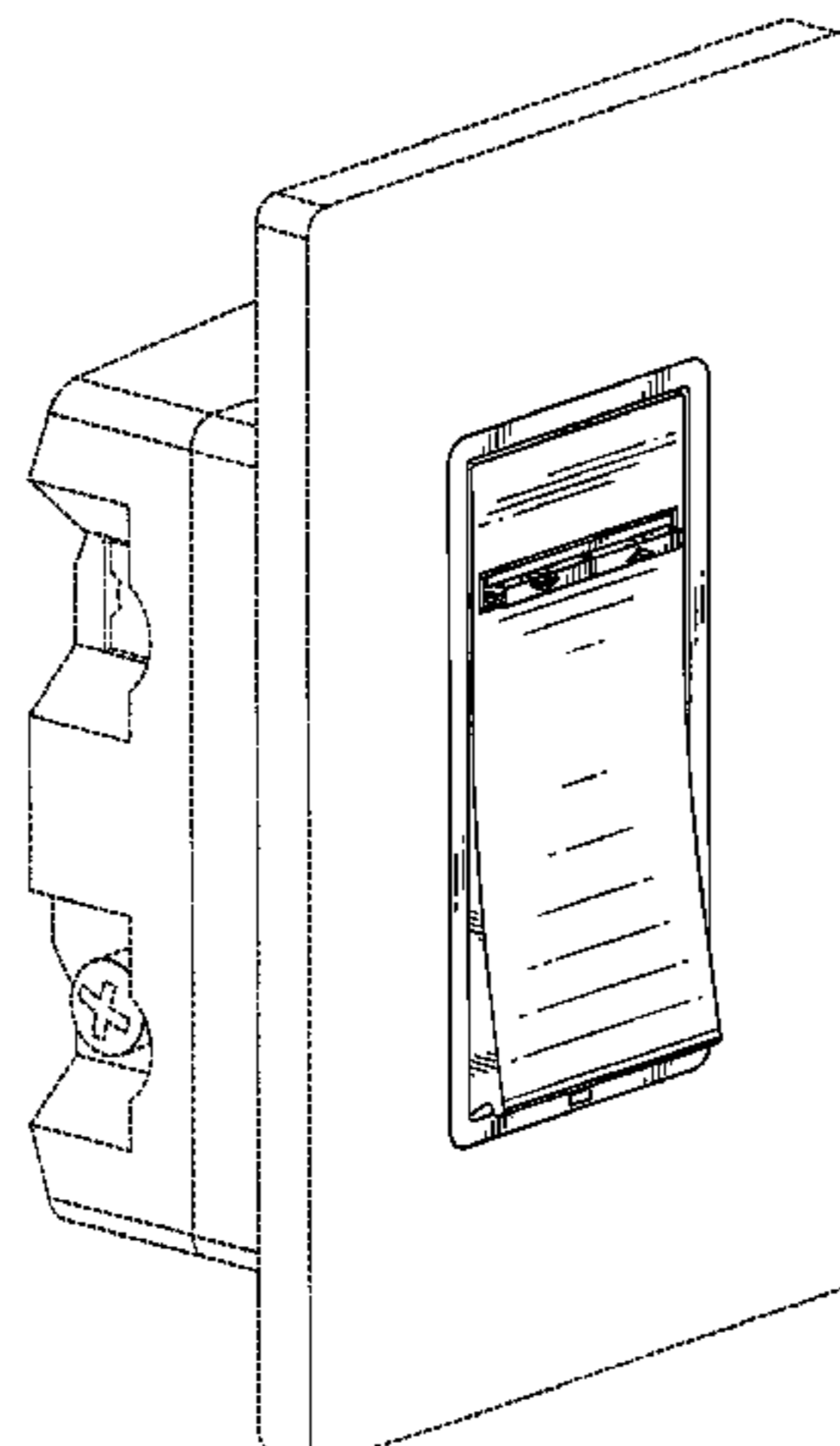
FIG. 3 is a left side view thereof with the broken lines showing the back plate and the housing;

FIG. 4 is a right side view thereof with the broken lines showing the back plate and the housing;

FIG. 5 is a top view thereof with the broken lines showing the back plate and the housing; and,

FIG. 6 is a bottom view thereof with the broken lines showing the back plate and the housing.

**1 Claim, 4 Drawing Sheets**



# US D609,650 S

Page 2

U.S. PATENT DOCUMENTS							
6,046,550	A	4/2000	Ference et al.	7,071,634	B2	7/2006	Johnson et al.
6,091,205	A	7/2000	Newman, Jr. et al.	D526,624	S	8/2006	Merritt et al.
6,178,681	B1	1/2001	Caloia et al.	D534,873	S	1/2007	Merritt et al.
D439,220	S	3/2001	Mayo et al.	D534,875	S	1/2007	Wu
6,211,626	B1	4/2001	Lys et al.	D535,627	S	1/2007	Merritt et al.
6,297,724	B1	10/2001	Bryans et al.	7,164,238	B2	1/2007	Kazanov et al.
6,340,868	B1	1/2002	Lys et al.	7,166,970	B2	1/2007	Johnson et al.
6,347,028	B1	2/2002	Hausman, Jr. et al.	7,170,018	B2	1/2007	Ilkhanov
6,369,524	B1	4/2002	Sid	D542,230	S	5/2007	Merritt et al.
6,380,692	B1	4/2002	Newman, Jr. et al.	D543,159	S	5/2007	Merritt et al.
6,421,941	B1*	7/2002	Finke et al. .... 40/611.05	7,247,793	B2*	7/2007	Hinkson et al. .... 174/66
6,459,919	B1	10/2002	Lys et al.	D553,102	S	10/2007	Merritt
6,469,457	B2	10/2002	Callahan	D576,565	S*	9/2008	Chou et al. .... D13/169
6,507,158	B1	1/2003	Wang	D576,566	S*	9/2008	Wu et al. .... D13/169
6,528,957	B1	3/2003	Luchaco	2003/0076281	A1	4/2003	Morgan et al.
6,761,470	B2	7/2004	Sid	2003/0226682	A1	12/2003	Tufano et al.
D498,213	S	11/2004	Savicki, Jr. et al.	2003/0226684	A1	12/2003	Schmieta et al.
6,891,117	B1	5/2005	Gouhl et al.	2004/0002792	A1	1/2004	Hoffknecht
6,917,167	B2	7/2005	Courtney et al.	2004/0212324	A1	10/2004	Callahan
D517,999	S	3/2006	Merritt et al.	2005/0125083	A1	6/2005	Kiko
D518,000	S	3/2006	Merritt et al.	2005/0248300	A1	11/2005	Walko et al.
D519,466	S	4/2006	Merritt et al.	2006/0125649	A1	6/2006	Ostrovsky et al.
7,038,910	B1	5/2006	Hodge et al.	2006/0279236	A1	12/2006	Johnson et al.
D523,824	S	6/2006	Lombardi et al.	2007/0126366	A1	6/2007	Frid
				2007/0193863	A1	8/2007	Wu

\* cited by examiner

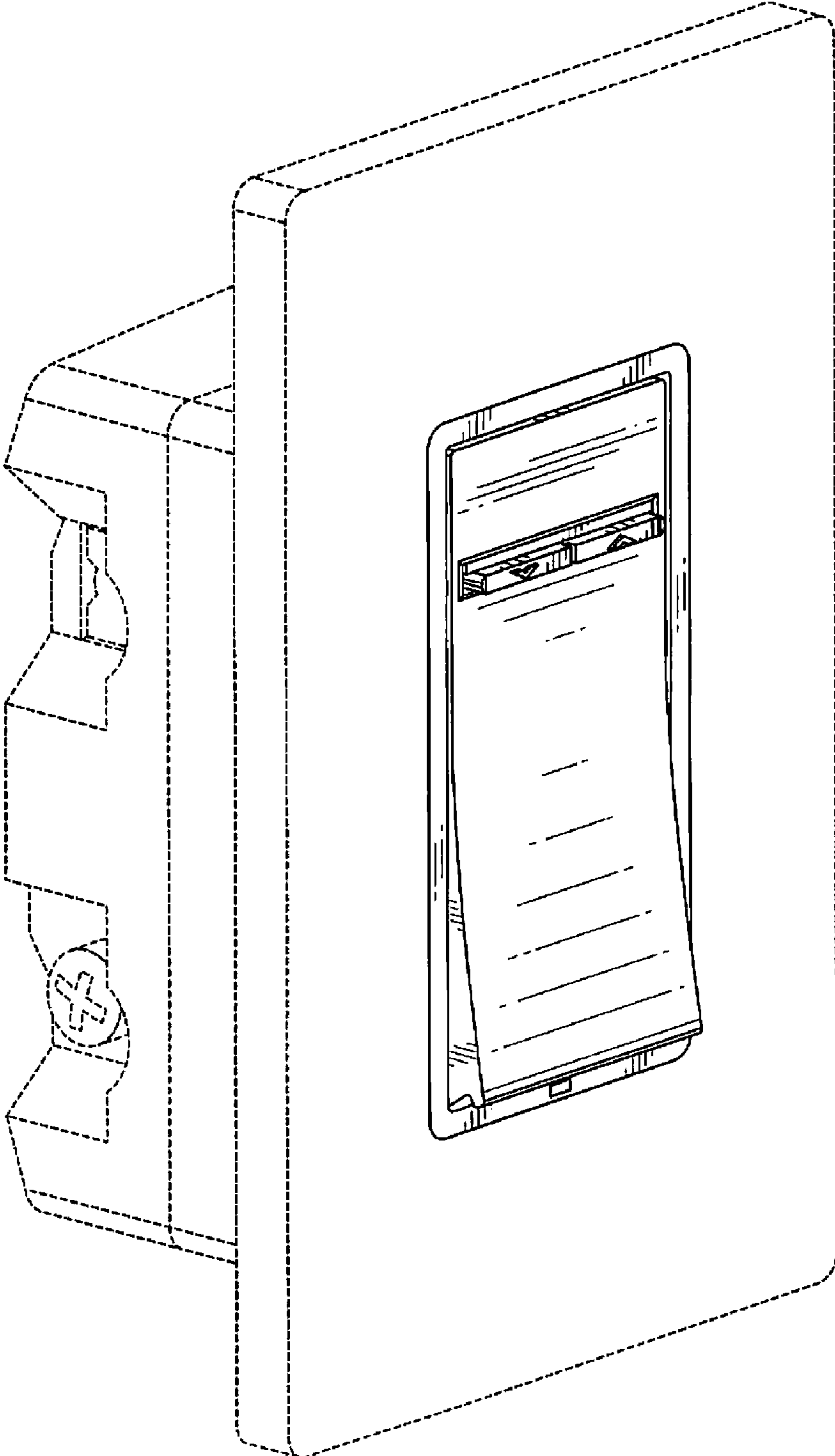


FIG. 1

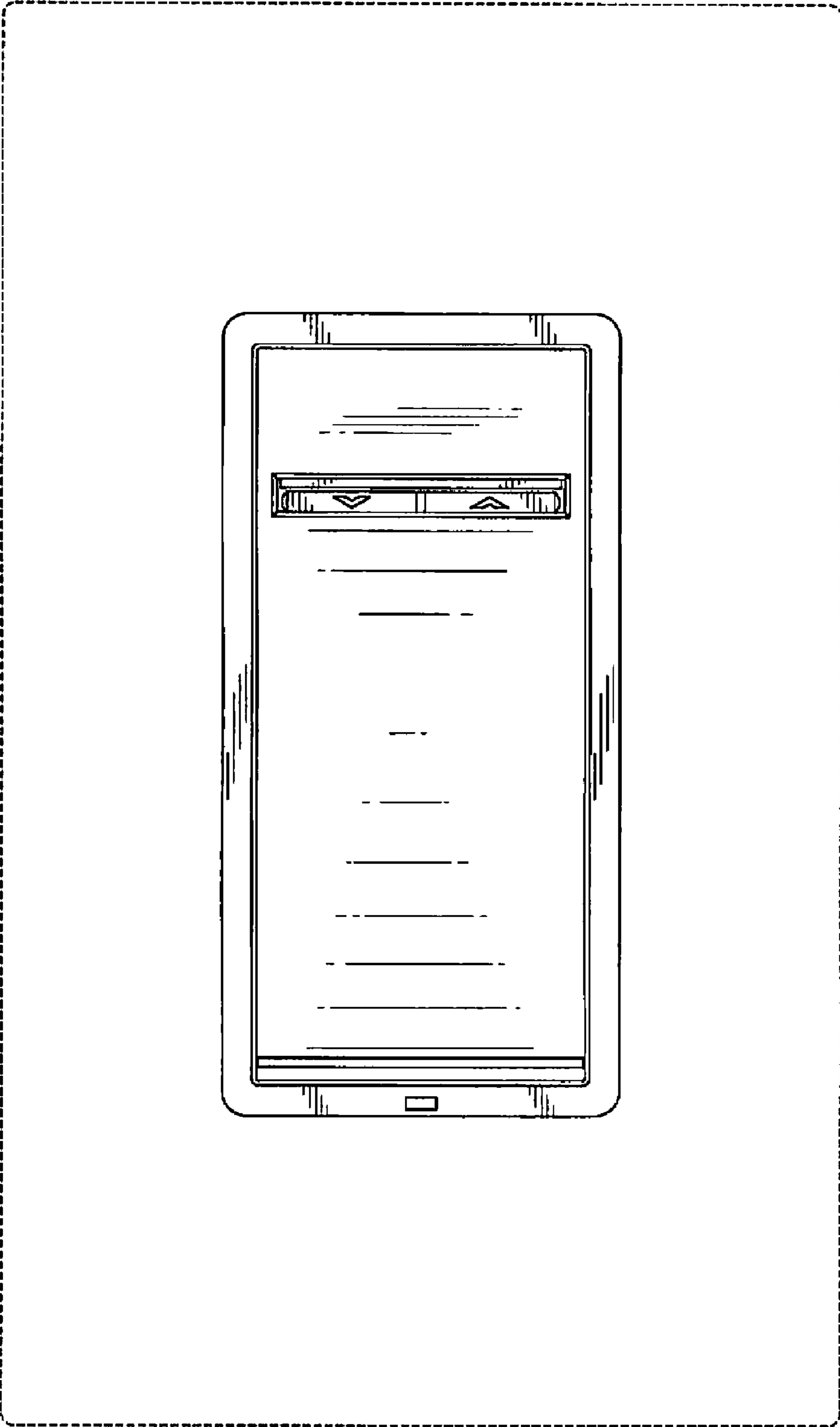


FIG. 2

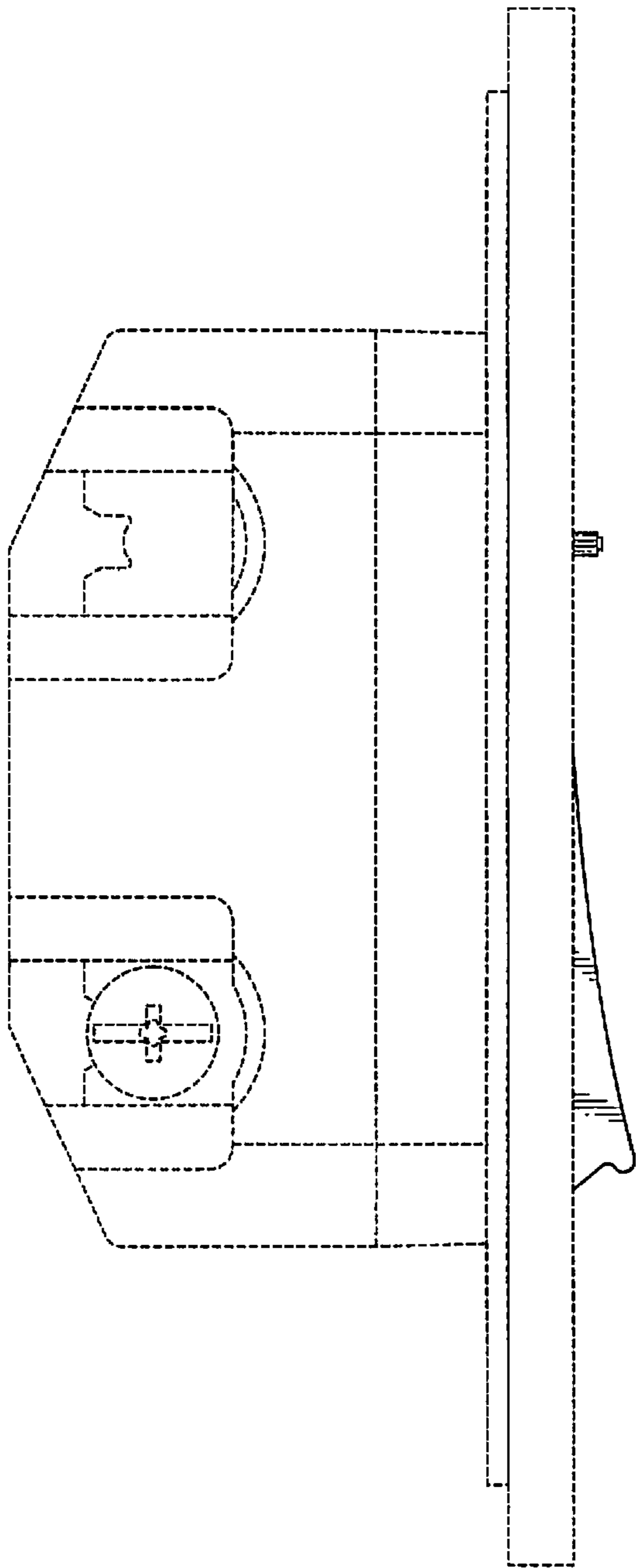


FIG. 3

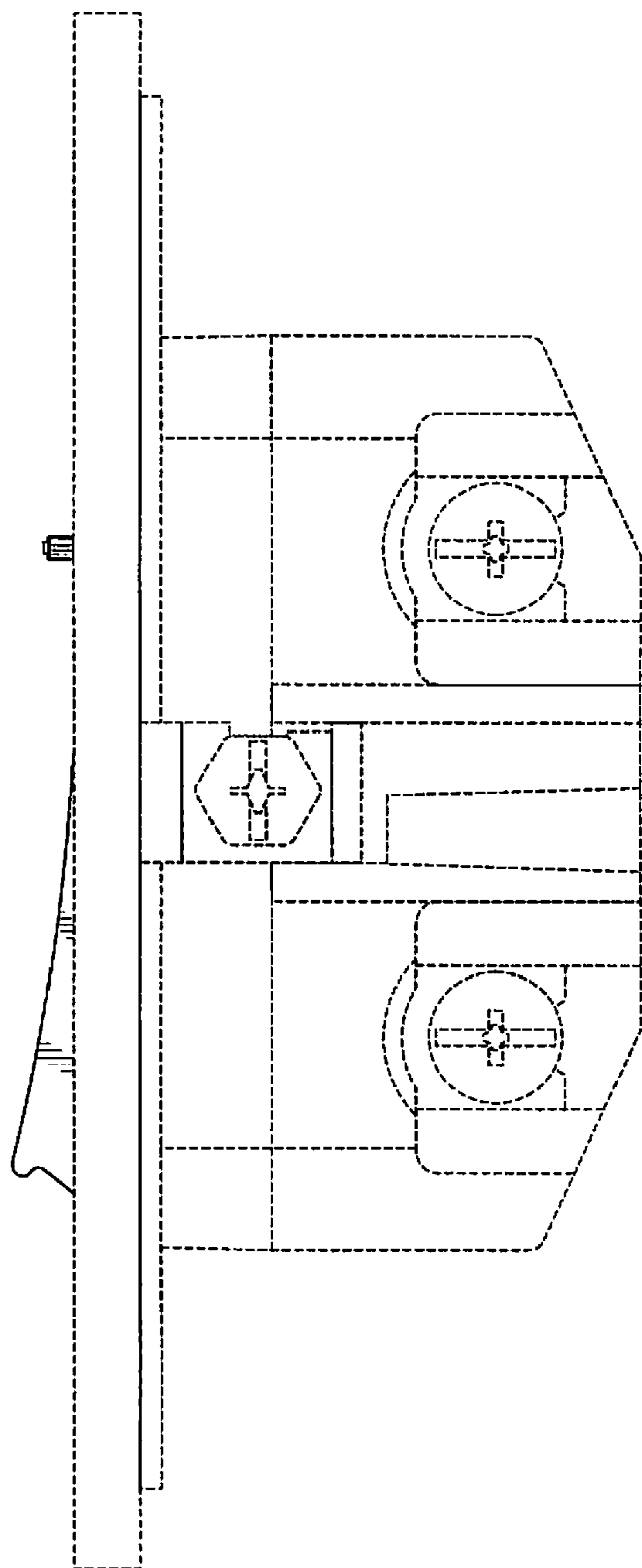


FIG. 4

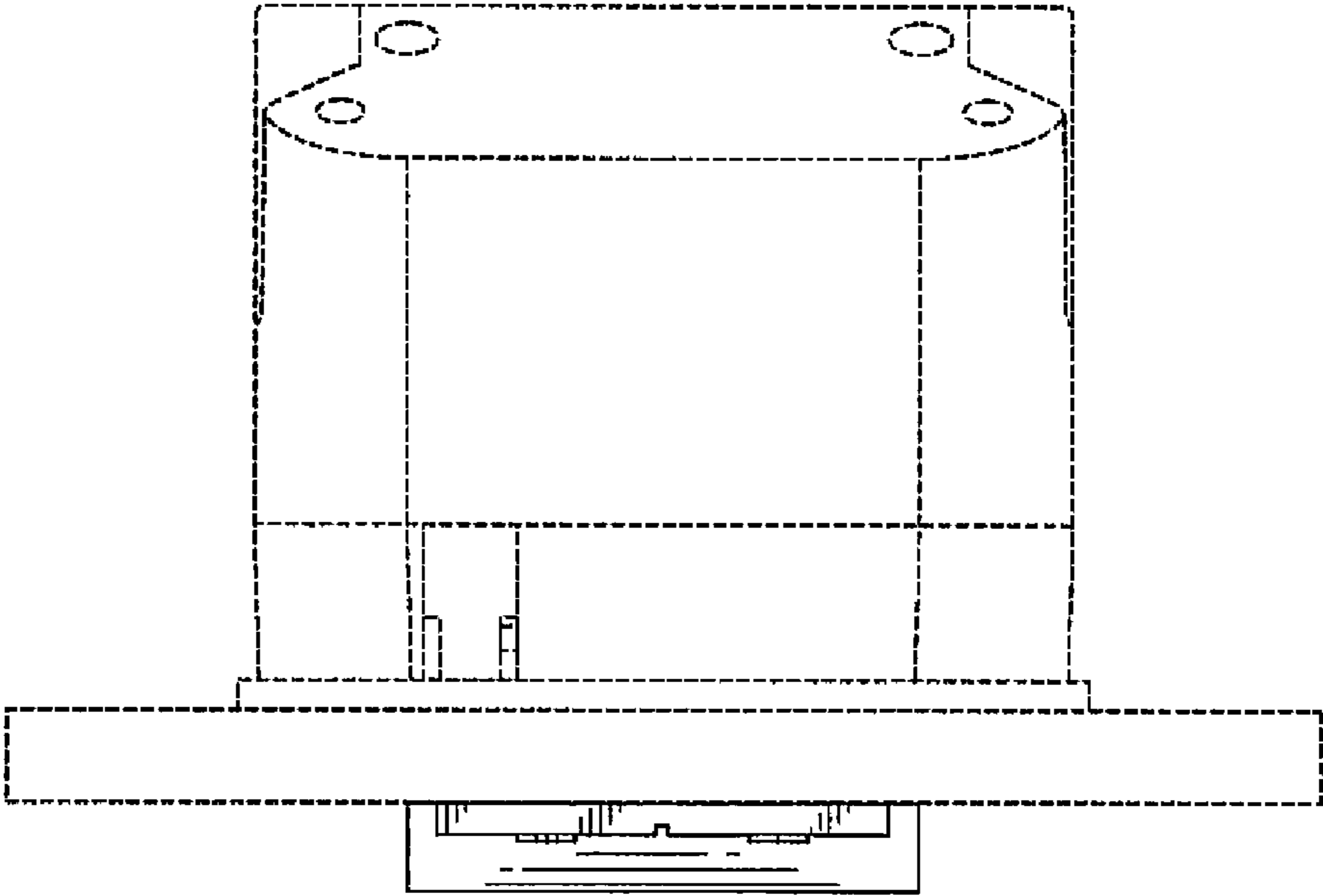


FIG. 5

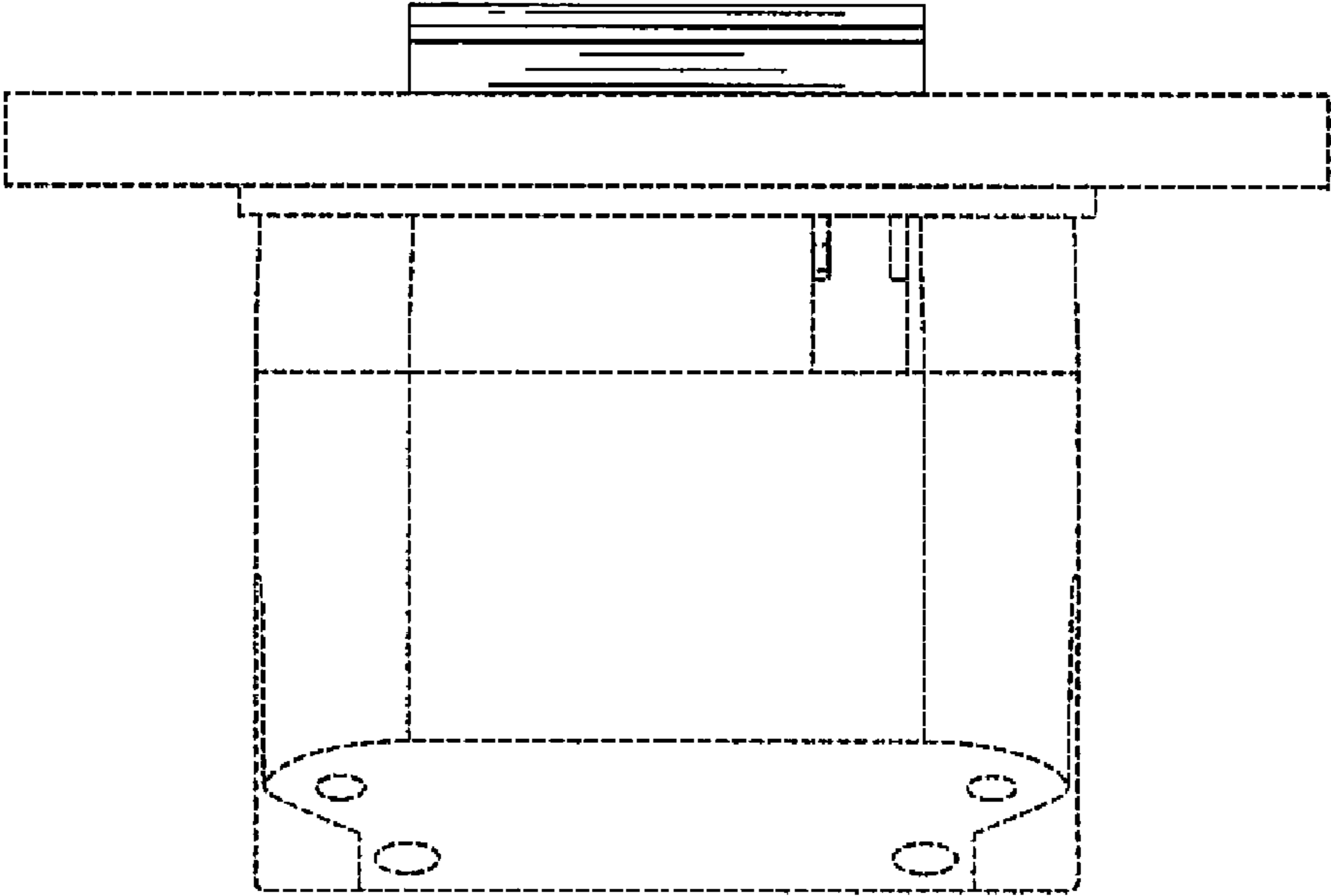


FIG. 6