



US00D609647S

(12) **United States Design Patent**
Oka et al.

(10) **Patent No.:** **US D609,647 S**

(45) **Date of Patent:** **** Feb. 9, 2010**

(54) **HOUSING FOR AN ELECTRICAL CONNECTOR**

(75) Inventors: **Toshihiro Oka**, Tokyo (JP); **Yoshifumi Nakabora**, Tokyo (JP); **Takashi Yanagisawa**, Toyota (JP); **Kazuhisa Shitanaka**, Toyota (JP)

(73) Assignees: **Japan Aviation Electronics Industry, Limited**, Tokyo (JP); **Toyota Jidosha Kabushiki Kaisha**, Toyota-shi, Aichi-ken (JP)

(**) Term: **14 Years**

(21) Appl. No.: **29/312,230**

(22) Filed: **Oct. 7, 2008**

(30) **Foreign Application Priority Data**
May 19, 2008 (JP) 2008-012444

(51) **LOC (9) Cl.** **13-03**
(52) **U.S. Cl.** **D13/147**
(58) **Field of Classification Search** D13/133,
D13/146-147, 154, 184, 199; 439/352-354,
439/357-358, 372, 594, 598, 607-610, 660,
439/680, 682
See application file for complete search history.

(56) **References Cited**
U.S. PATENT DOCUMENTS

D317,148 S * 5/1991 Kozono et al. D13/146
D330,539 S * 10/1992 Yamanashi D13/147

6,533,601 B2 * 3/2003 Raudenbush et al. 439/352
D479,199 S * 9/2003 Jones et al. D13/147
D563,874 S * 3/2008 Hayashi D13/147
2002/0111059 A1 * 8/2002 Raudenbush et al. 439/352

* cited by examiner

Primary Examiner—Daniel D Bui
(74) *Attorney, Agent, or Firm*—Collard & Roe, P.C.

(57) **CLAIM**

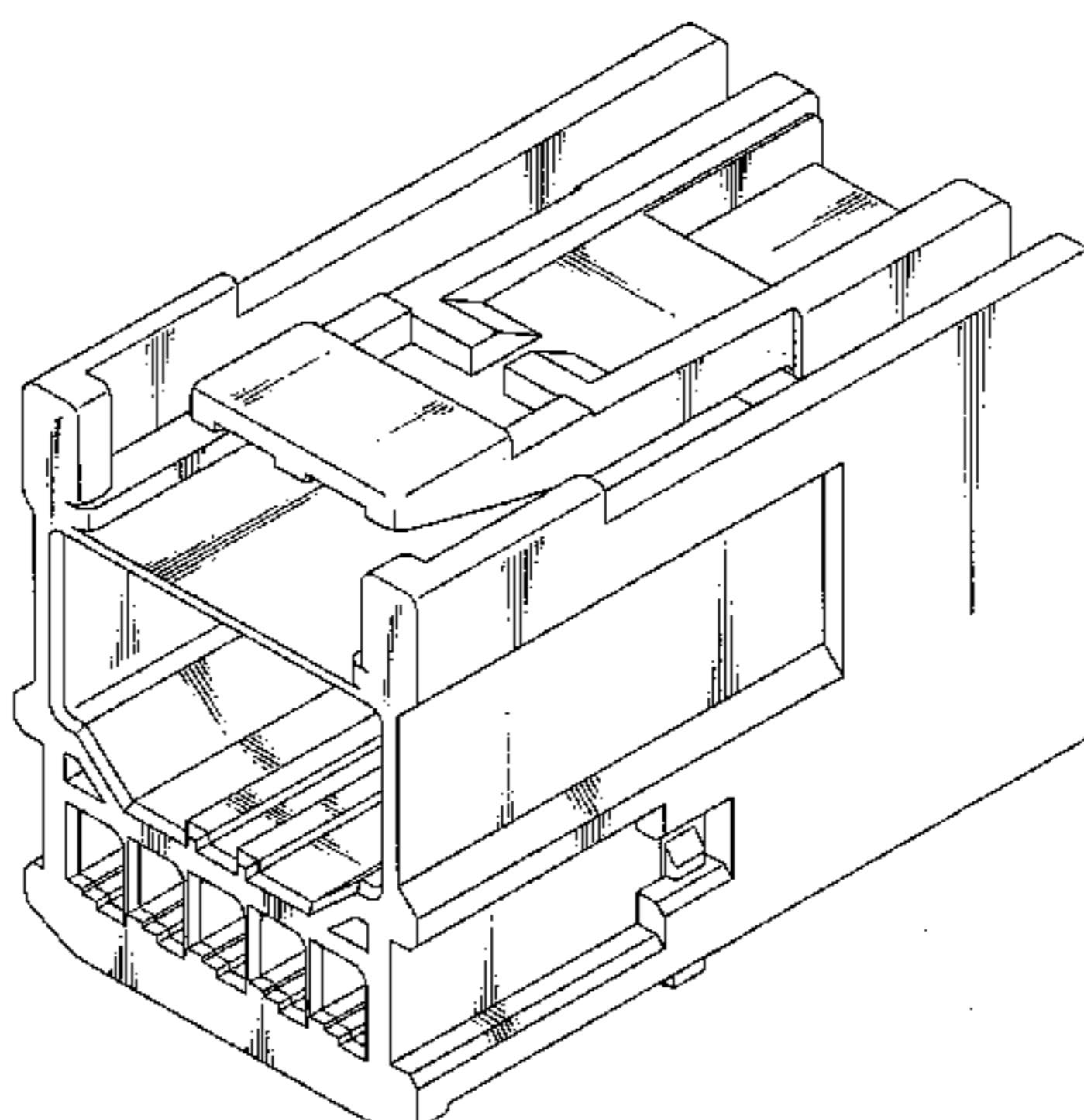
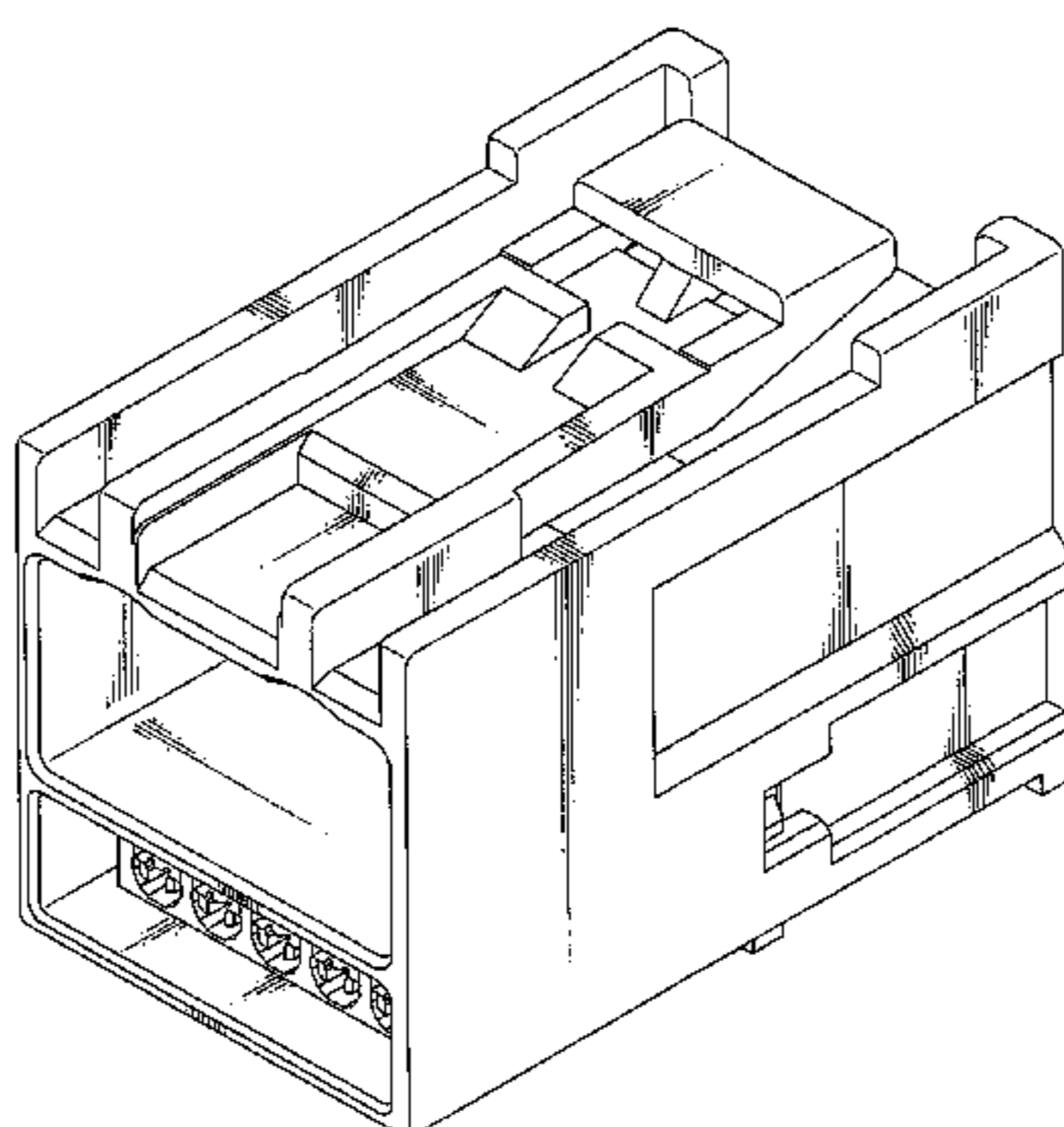
The ornamental design for a housing for an electrical connector, as shown and described.

DESCRIPTION

FIG. 1 is a front elevational view of a housing for an electrical connector, showing our design;
FIG. 2 is a top plan view thereof;
FIG. 3 is a rear elevational view thereof;
FIG. 4 is a bottom plan view thereof;
FIG. 5 is a left side elevational view thereof;
FIG. 6 is a right side elevational view thereof;
FIG. 7 is a front, right, and top-side perspective view thereof;
FIG. 8 is a rear, left, and top-side perspective view thereof; and,
FIG. 9 is a front, left, and bottom-side perspective view thereof.

The broken line portion of the figure drawings is included to show unclaimed subject matter only and forms no part of the claimed design.

1 Claim, 9 Drawing Sheets



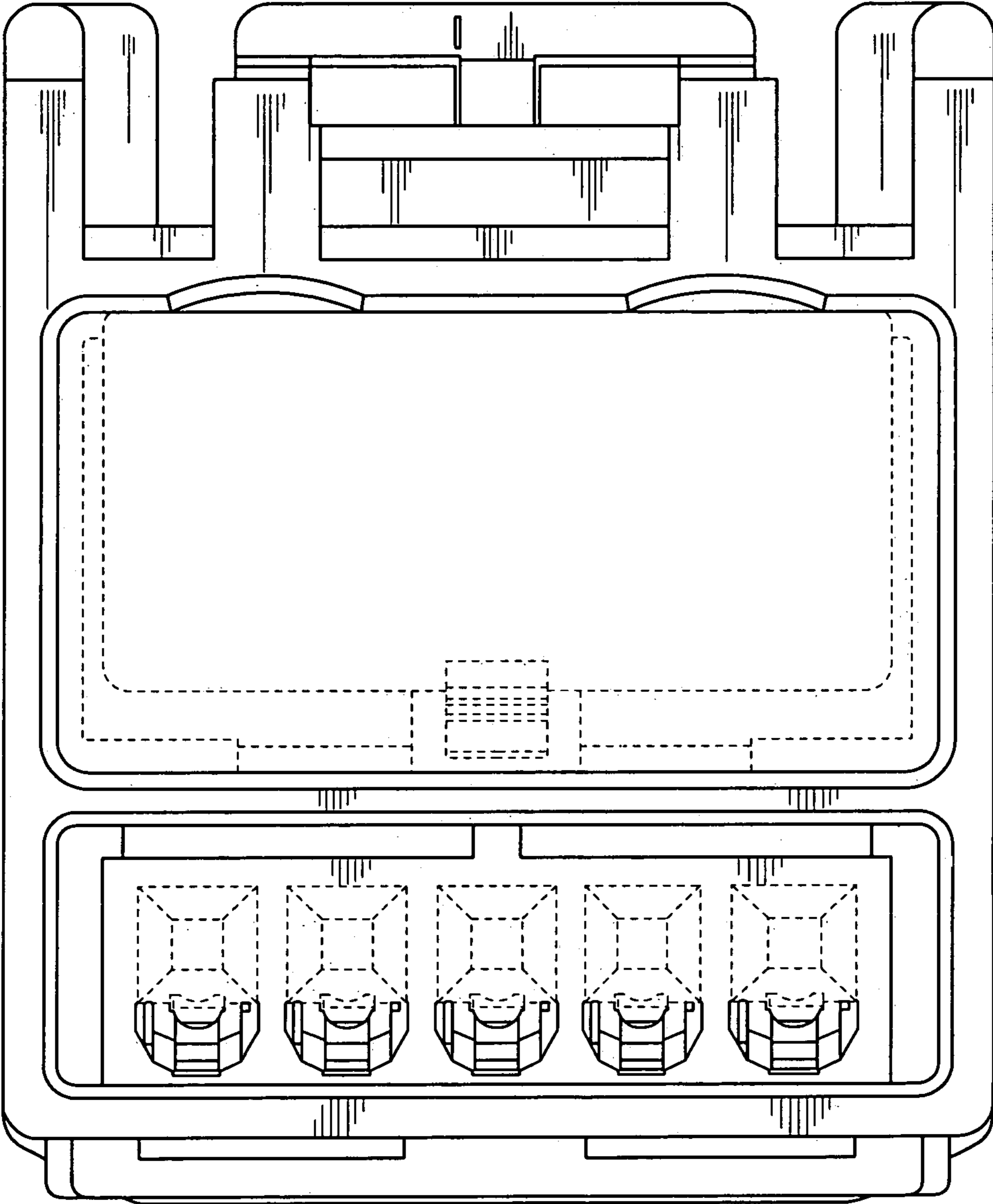


FIG. 1

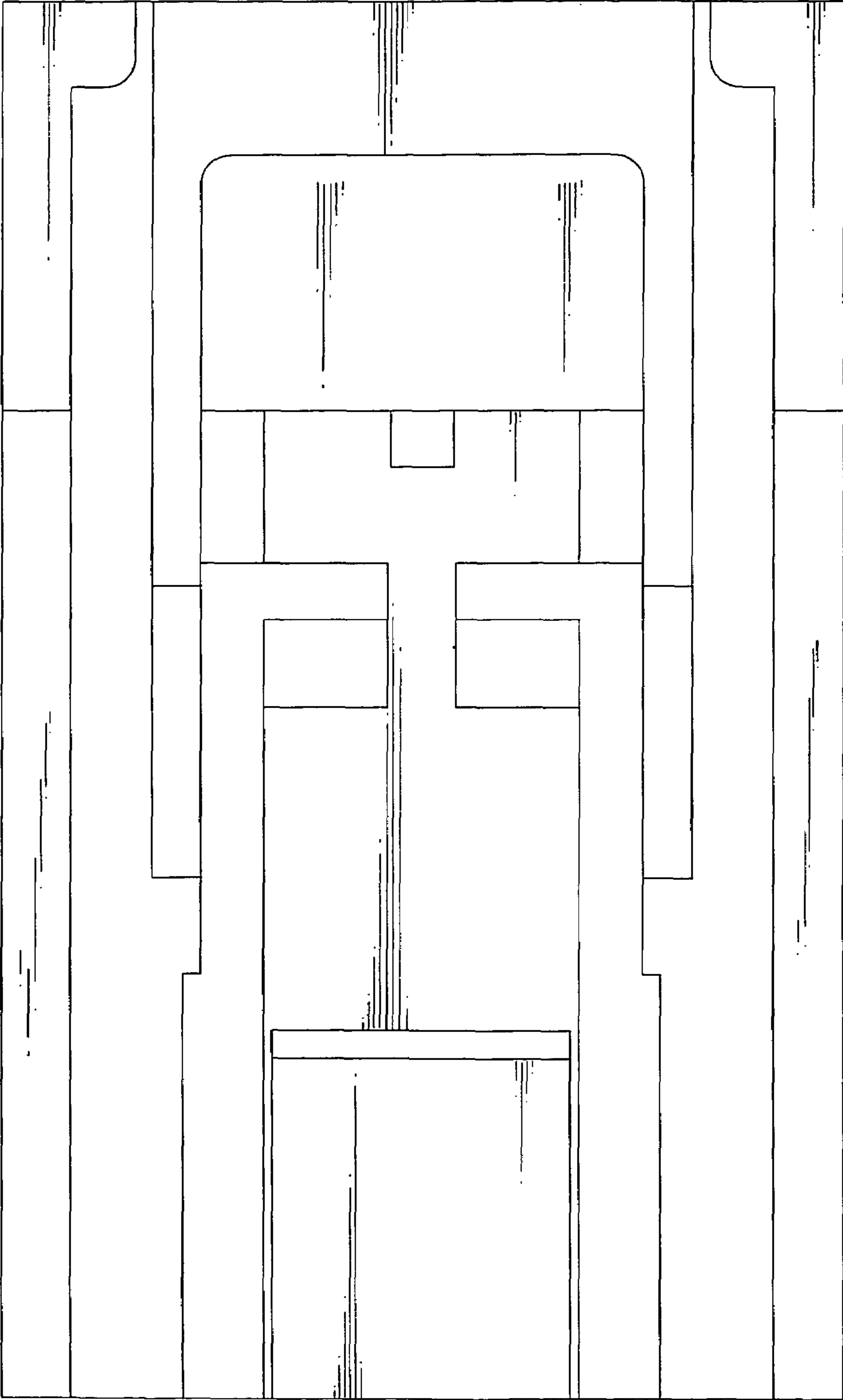


FIG. 2

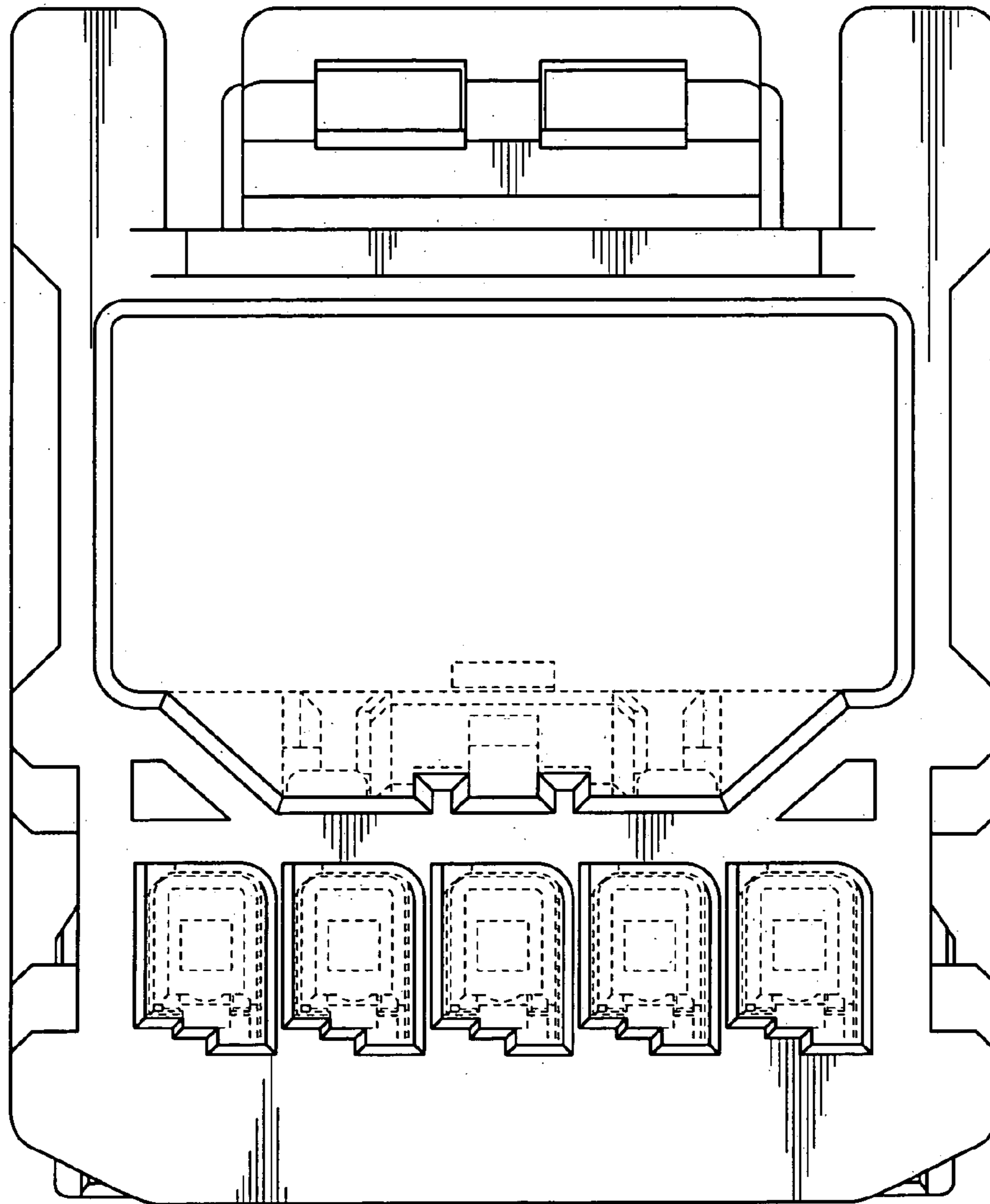


FIG. 3

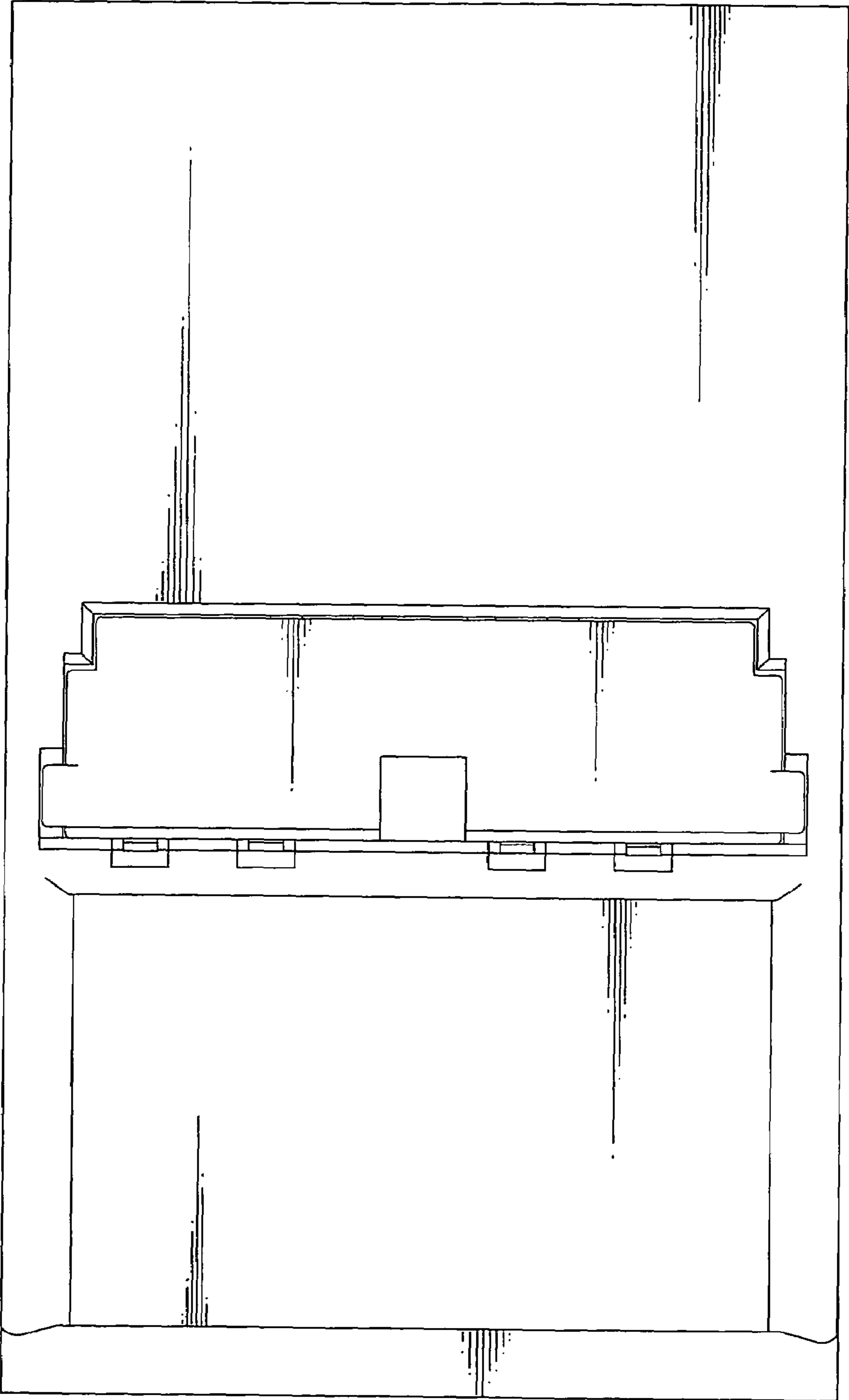


FIG. 4

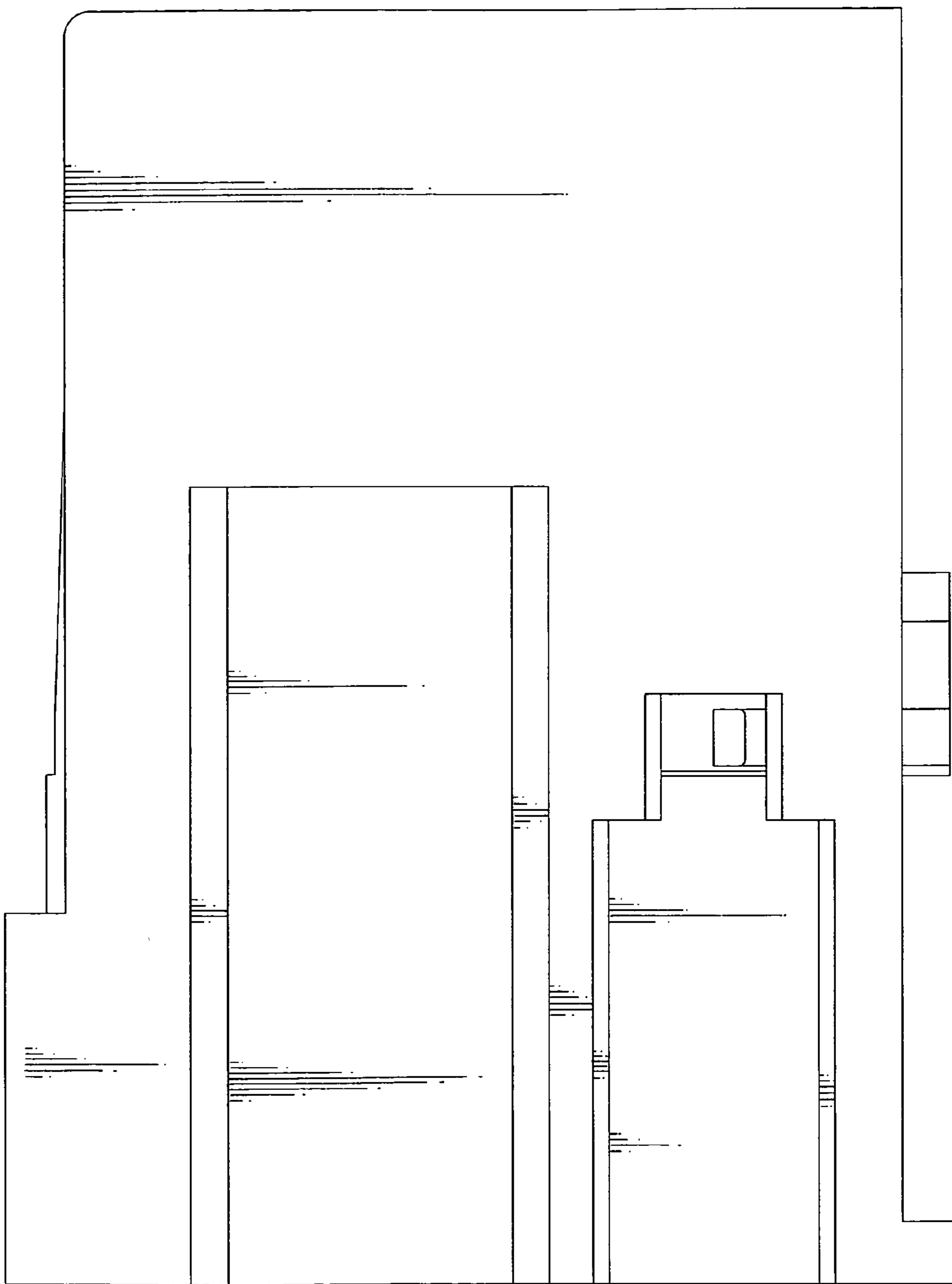


FIG. 5

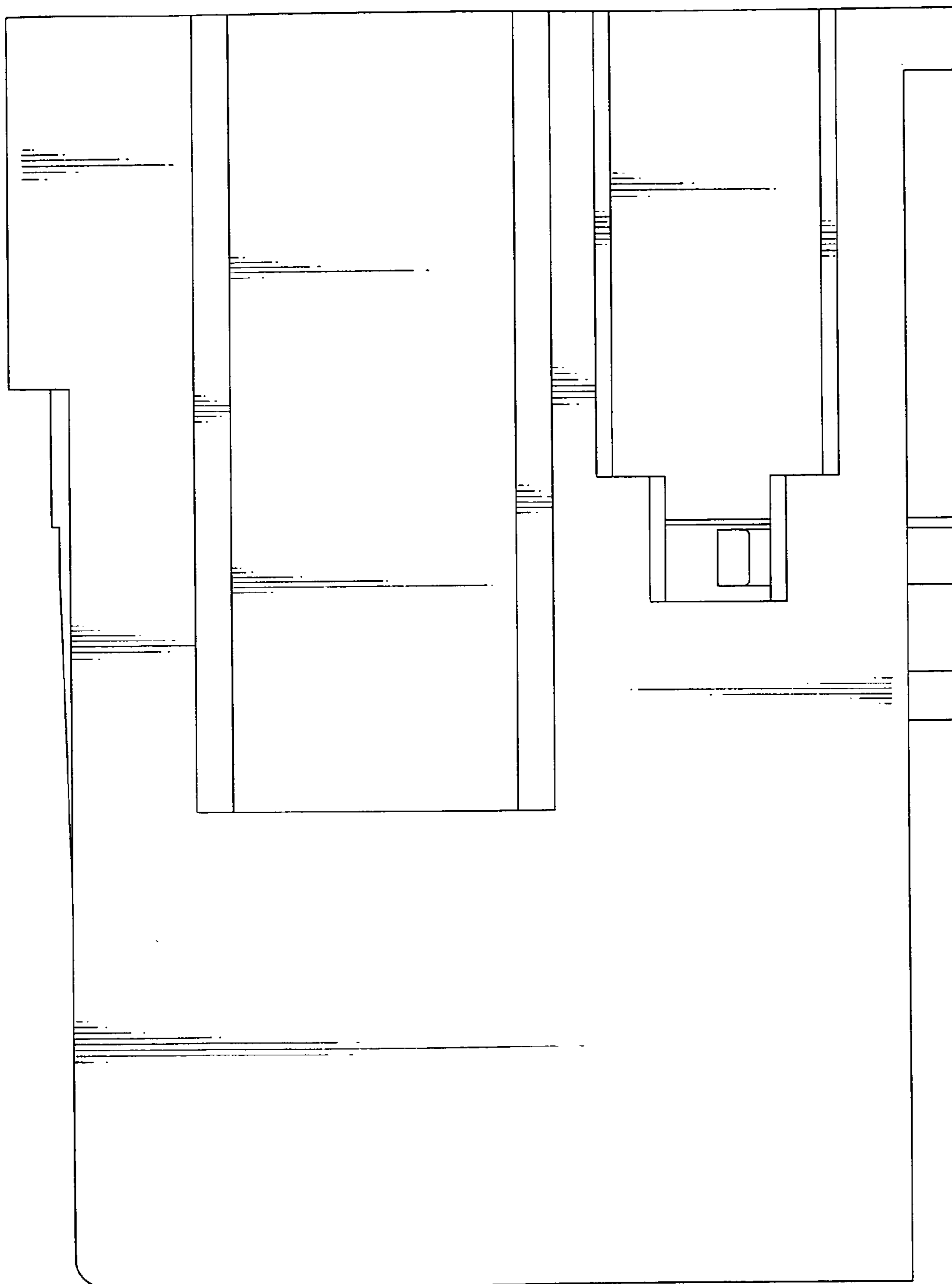


FIG. 6

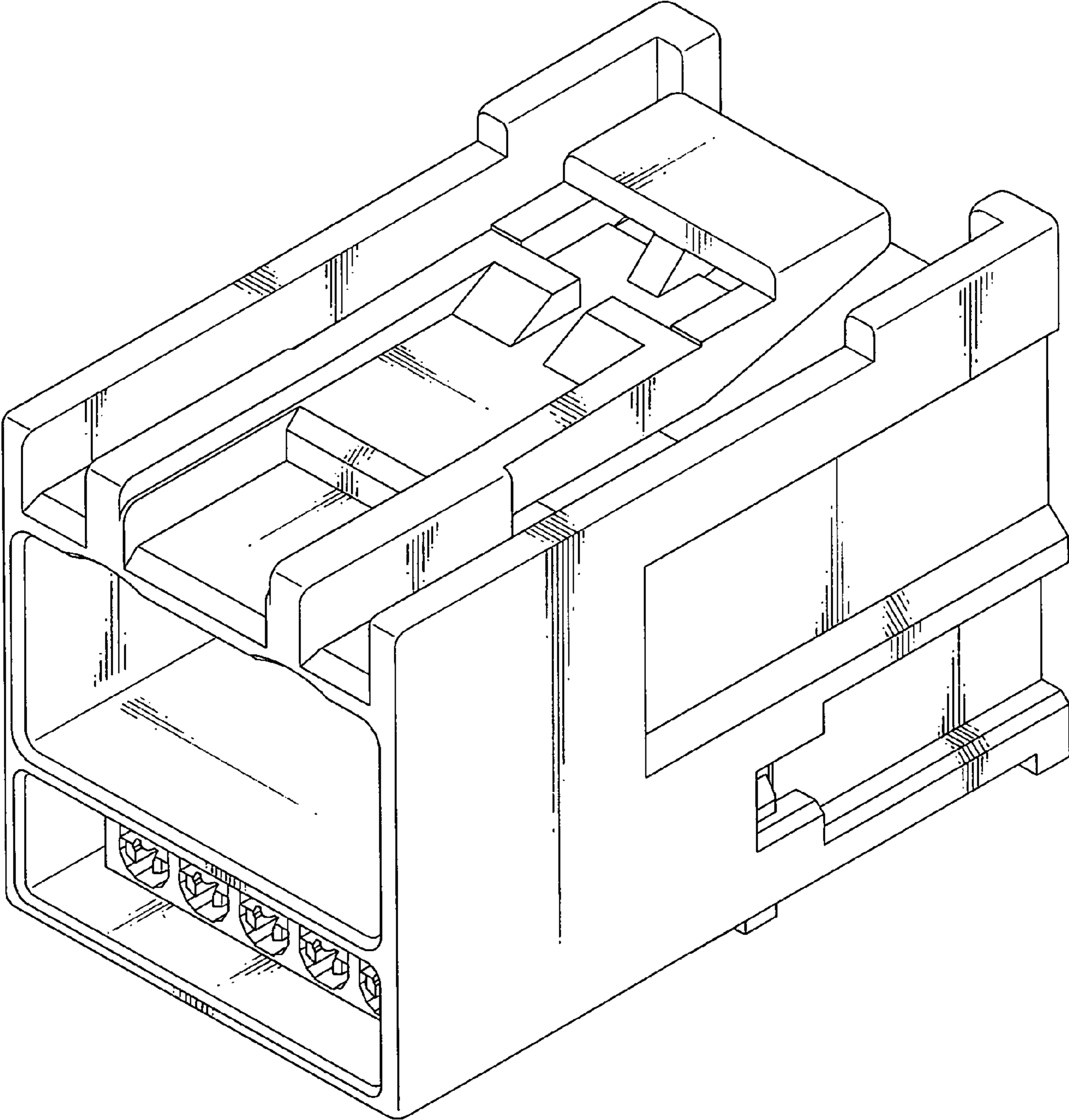


FIG. 7

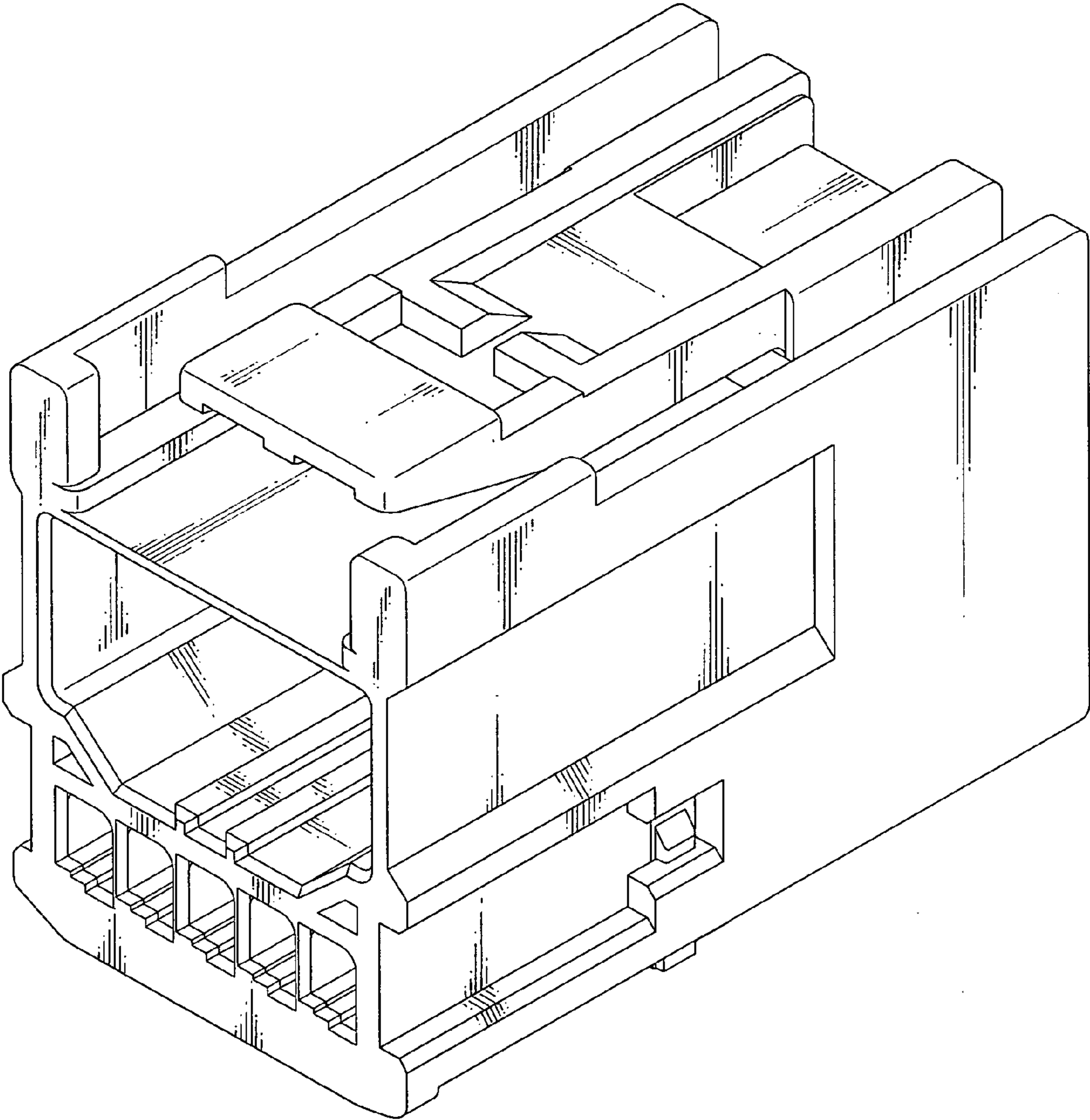


FIG. 8

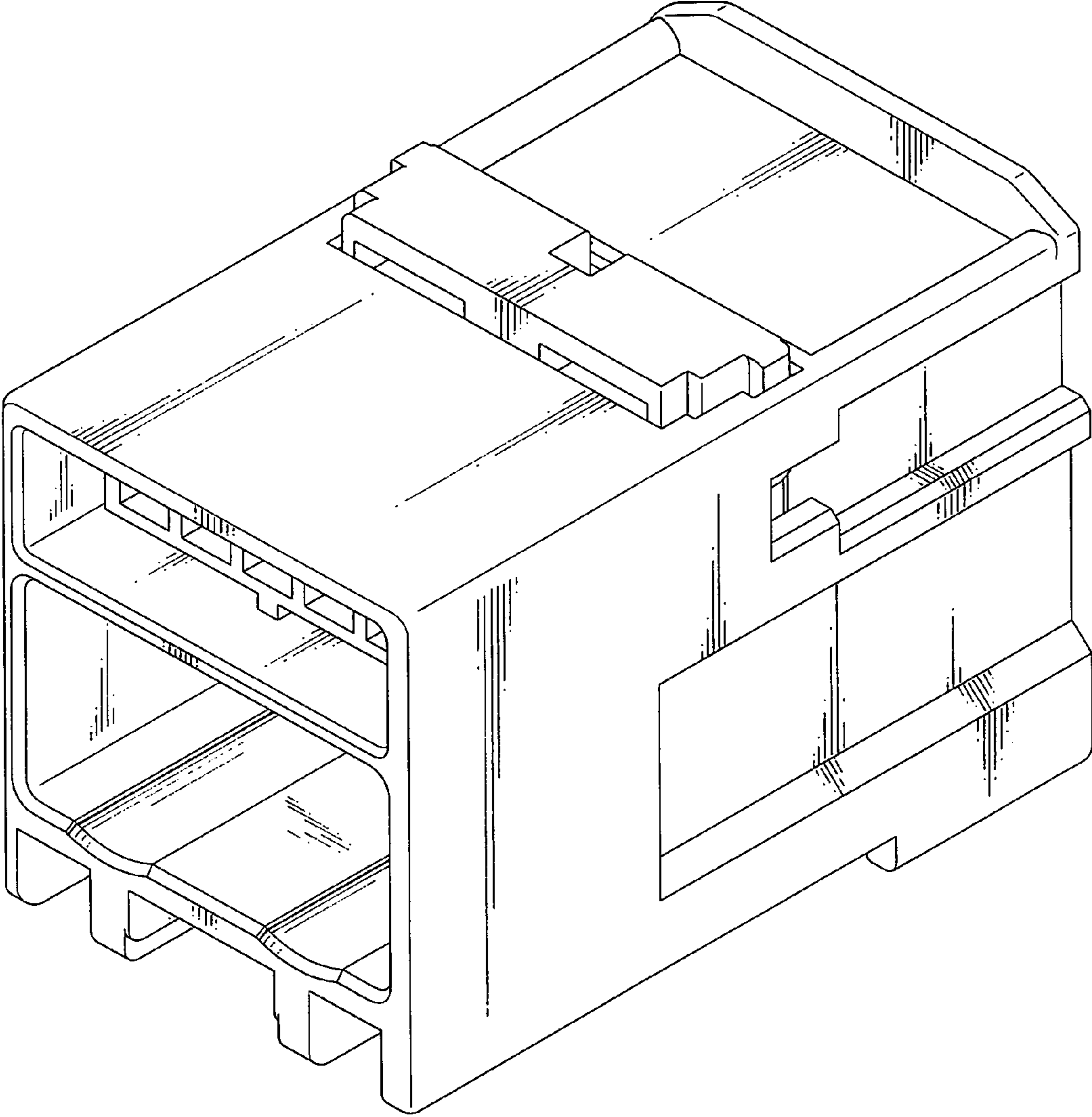


FIG. 9