



US00D609644S

(12) **United States Design Patent**
Lin

(10) **Patent No.:** **US D609,644 S**

(45) **Date of Patent:** **** Feb. 9, 2010**

(54) **PIGGYBACK DUAL CAR CHARGER**

(75) Inventor: **Tso Wei Lin**, Arcadia, CA (US)

(73) Assignee: **Beyond Electronics Inc.**, Irwindale, CA (US)

(**) Term: **14 Years**

(21) Appl. No.: **29/313,950**

(22) Filed: **Feb. 20, 2009**

(51) **LOC (9) Cl.** **13-03**

(52) **U.S. Cl.** **D13/144**

(58) **Field of Classification Search** D13/102-103, D13/107-110, 118-119, 133, 144, 184; D14/251, D14/253, 432, 434, 184; 439/300, 620, 638, 439/668-669, 675, 825; 320/107-115; 363/146
See application file for complete search history.

(56) **References Cited**

U.S. PATENT DOCUMENTS

D433,379 S *	11/2000	Jokinen	D13/107
D456,007 S *	4/2002	Kuo	D13/110
D479,196 S *	9/2003	Shih	D13/144
D481,358 S *	10/2003	Hsiao	D13/144
D489,326 S *	5/2004	Nazar	D13/110
D490,058 S *	5/2004	Mkhitarian	D13/144
D496,904 S *	10/2004	Nazar	D13/110
D519,994 S *	5/2006	Kettula et al.	D14/248
D521,487 S *	5/2006	Dayan	D14/155
D522,457 S *	6/2006	Riede	D13/144
D524,285 S *	7/2006	Dayan	D14/155
D528,078 S *	9/2006	Krieger et al.	D13/144
D530,280 S *	10/2006	Krieger et al.	D13/144
D538,775 S *	3/2007	Dayan	D14/155
D541,254 S *	4/2007	Dayan	D14/155

D541,742 S *	5/2007	Hussaini et al.	D13/110
D548,719 S *	8/2007	Dayan	D14/155
D554,059 S *	10/2007	Hsu	D13/110
D585,824 S *	2/2009	Ebodi	D13/108

* cited by examiner

Primary Examiner—Rosemary K Tarcza

(74) *Attorney, Agent, or Firm*—Thomas I. Rozsa

(57) **CLAIM**

The ornamental design for a piggyback dual car charger, as shown and described.

DESCRIPTION

FIG. 1 is a side perspective view of a first embodiment of the piggyback dual car charger, showing my design;

FIG. 2 is a left side view;

FIG. 3 is a right side view;

FIG. 4 is a top view;

FIG. 5 is a bottom view;

FIG. 6 is a front view;

FIG. 7 is rear view;

FIG. 8 is a side perspective view of the second embodiment of the piggyback dual car charger, showing my design;

FIG. 9 is a left side view;

FIG. 10 is a right side view;

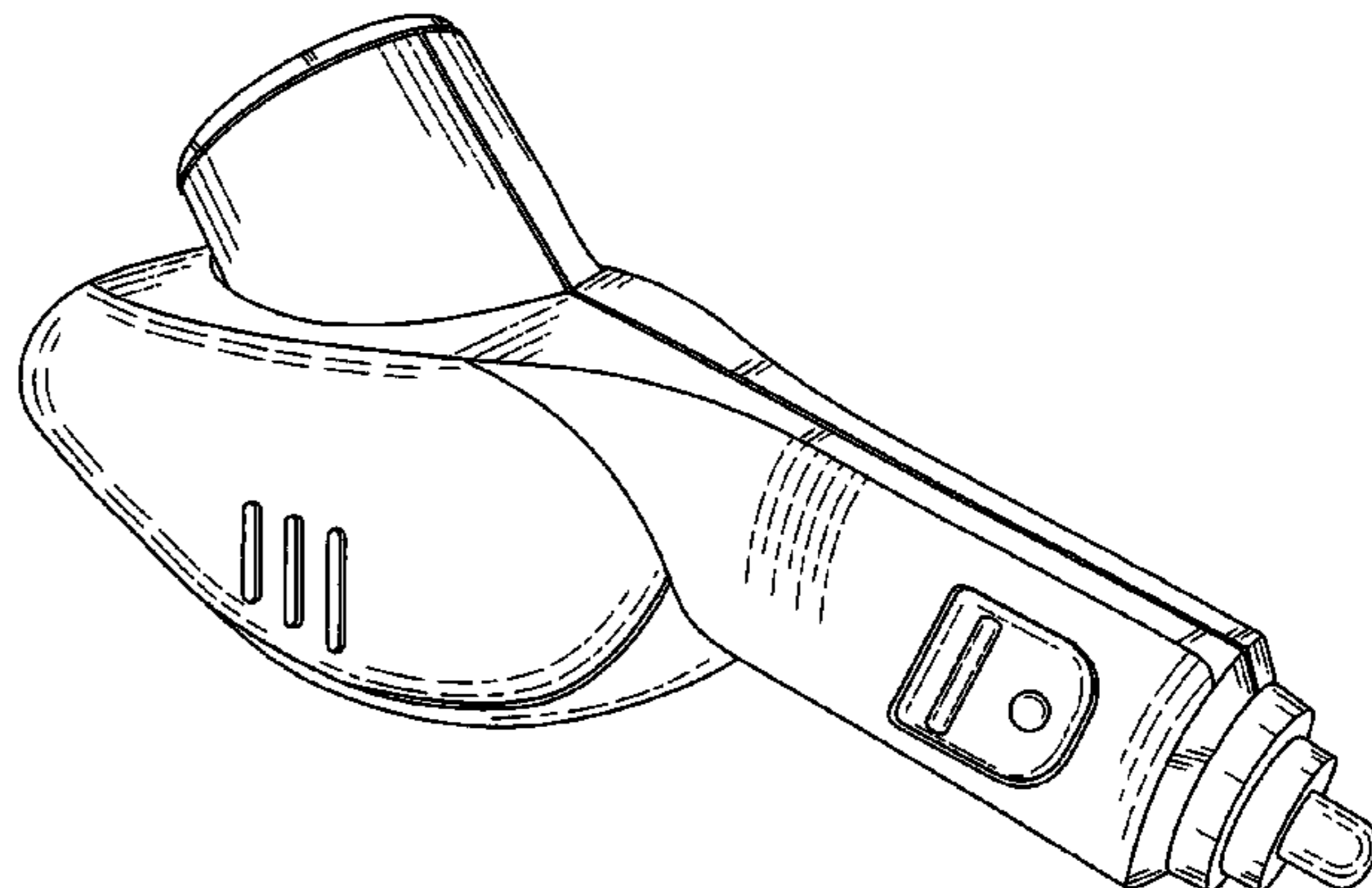
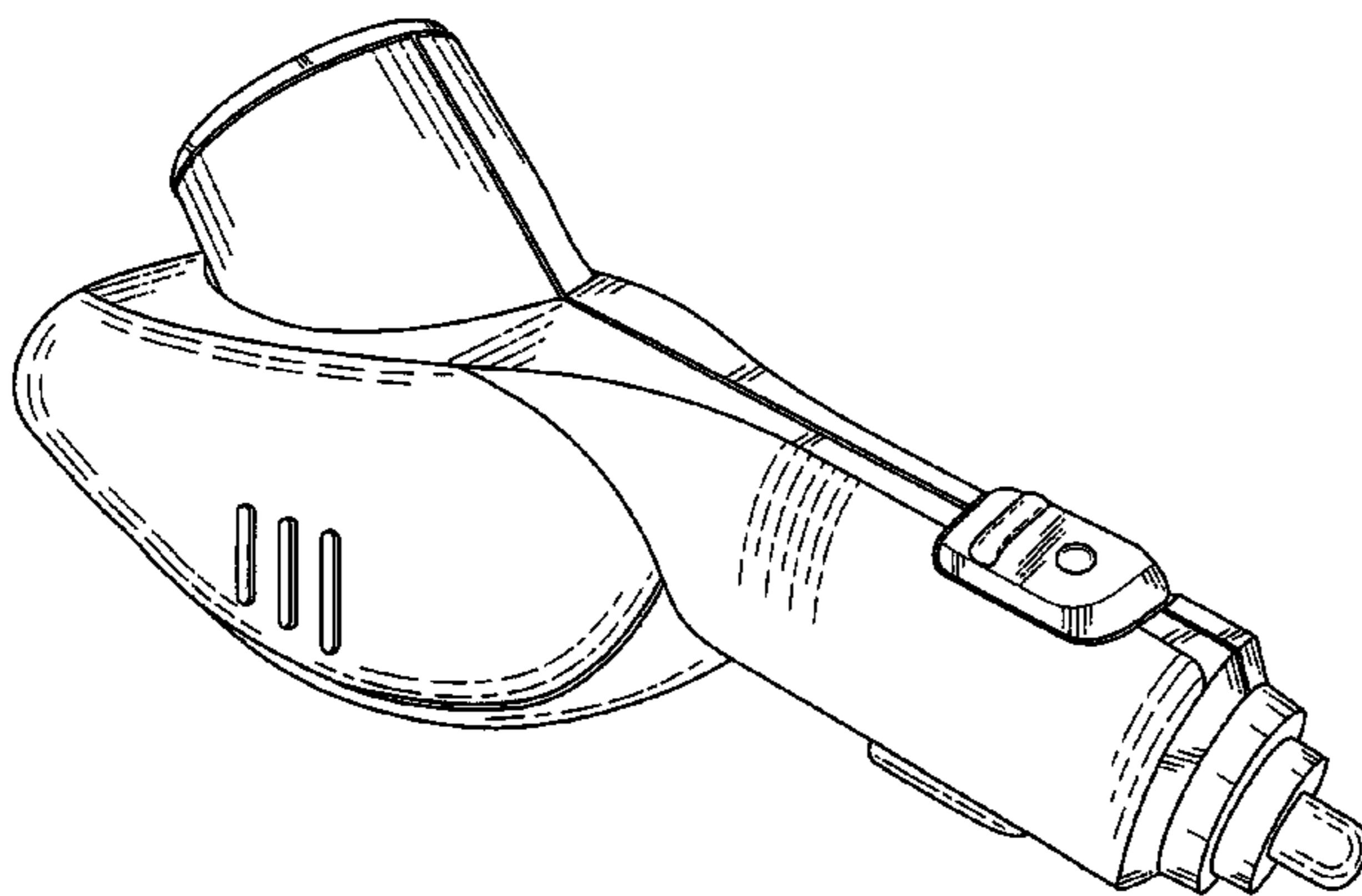
FIG. 11 is a top view;

FIG. 12 is a bottom view;

FIG. 13 is a front view; and,

FIG. 14 is rear view.

1 Claim, 12 Drawing Sheets



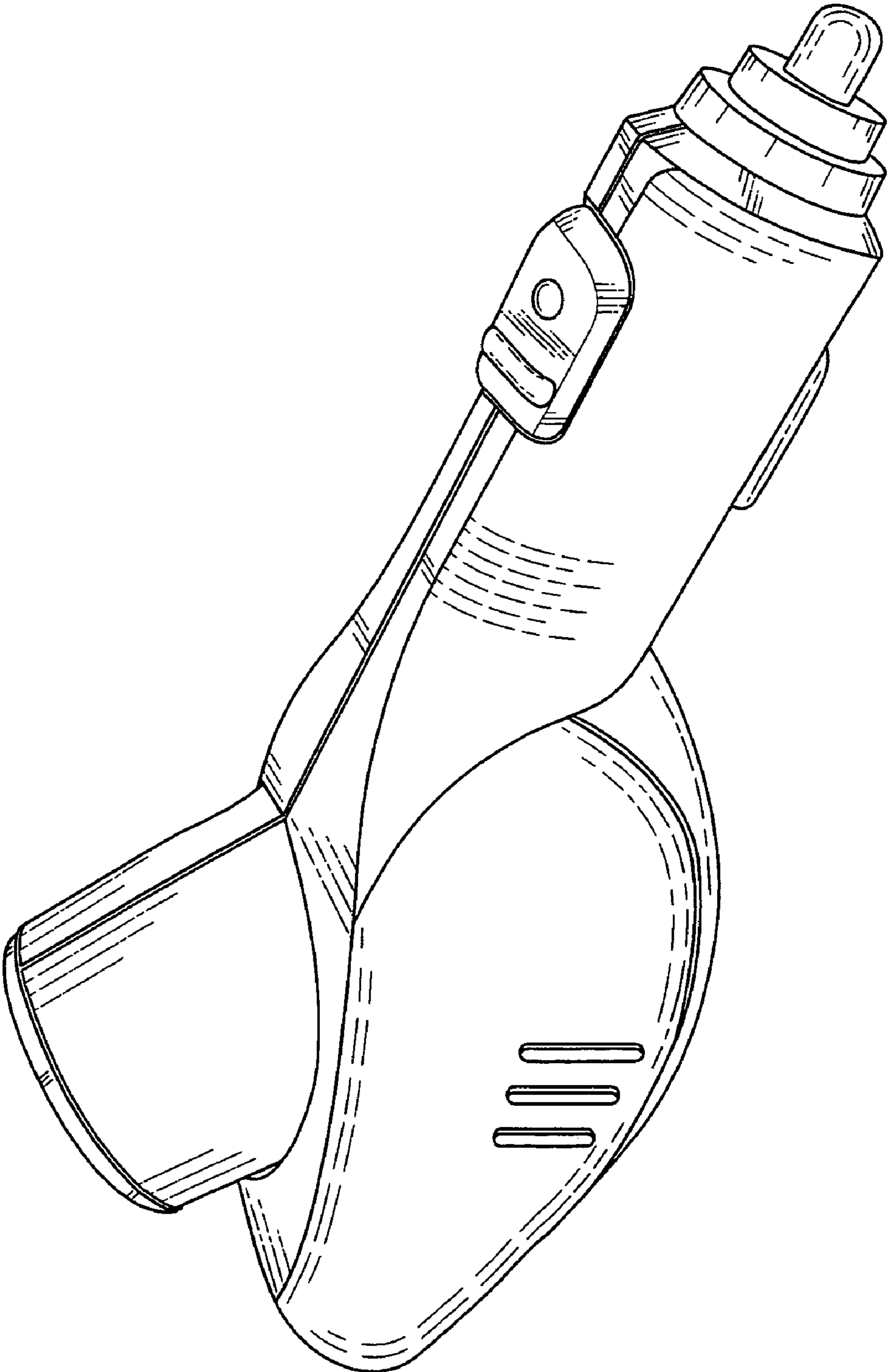


FIG. 1

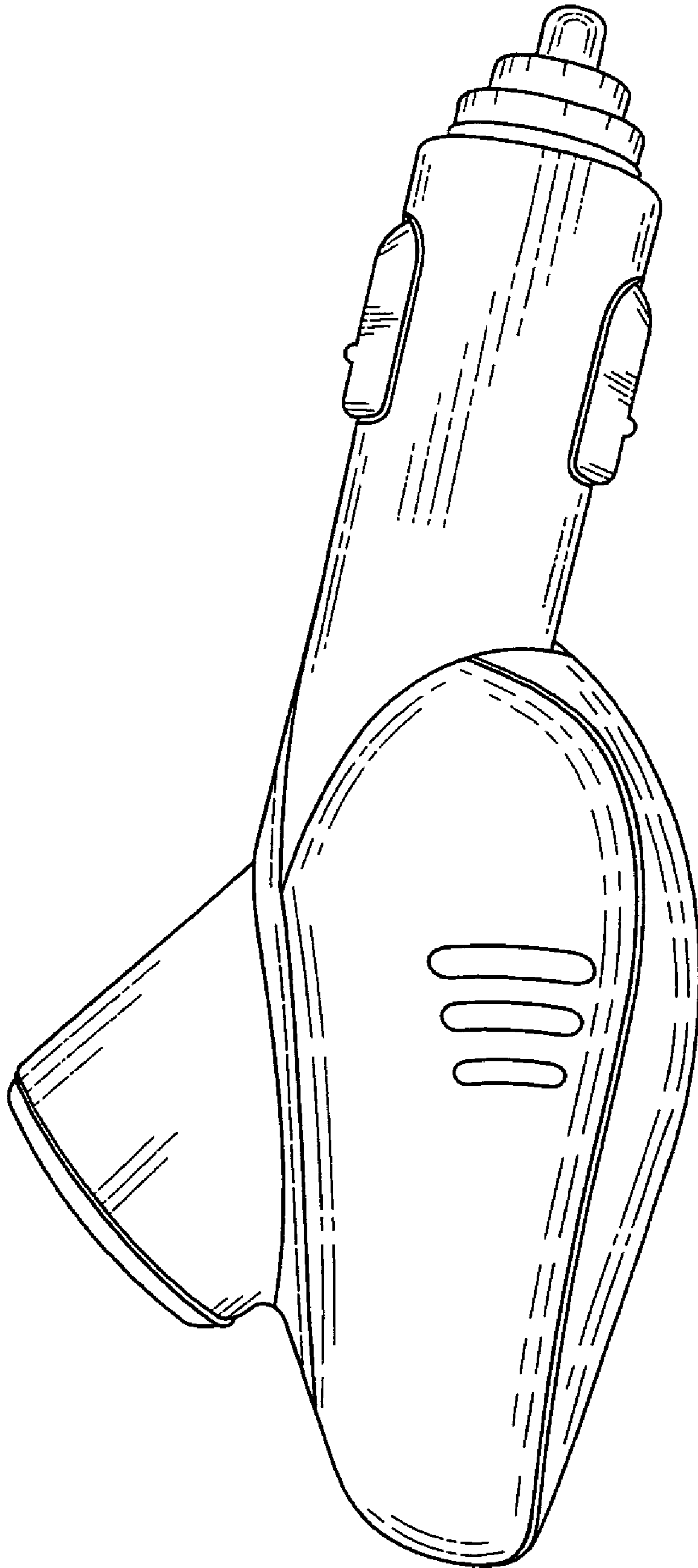


FIG. 2

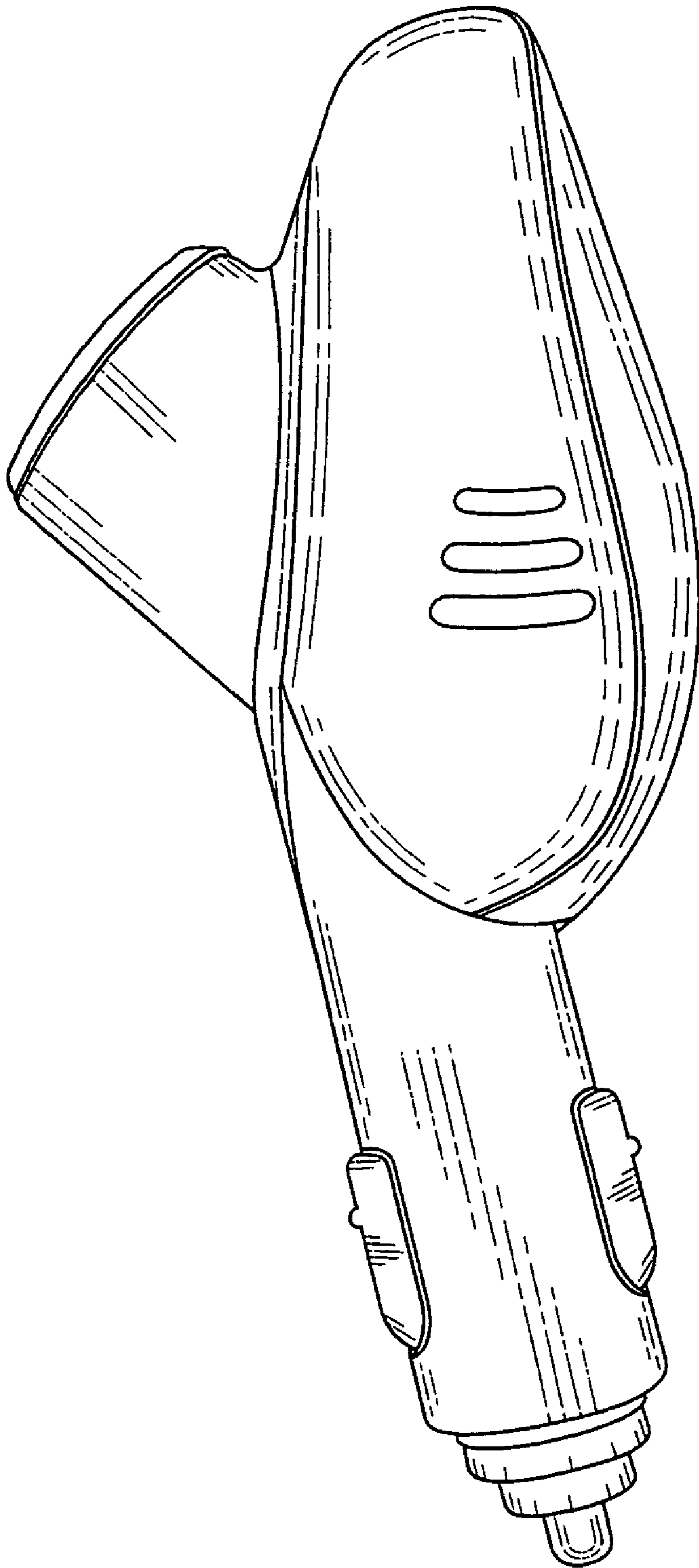


FIG. 3

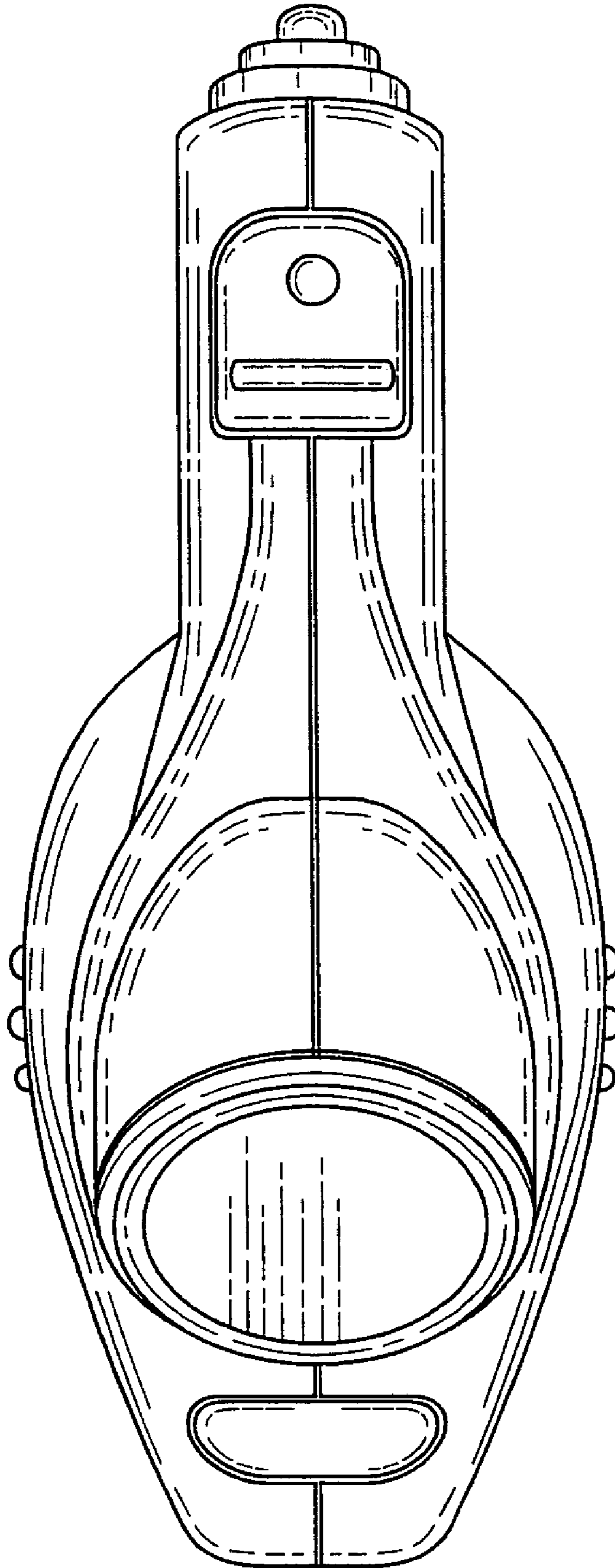


FIG. 4

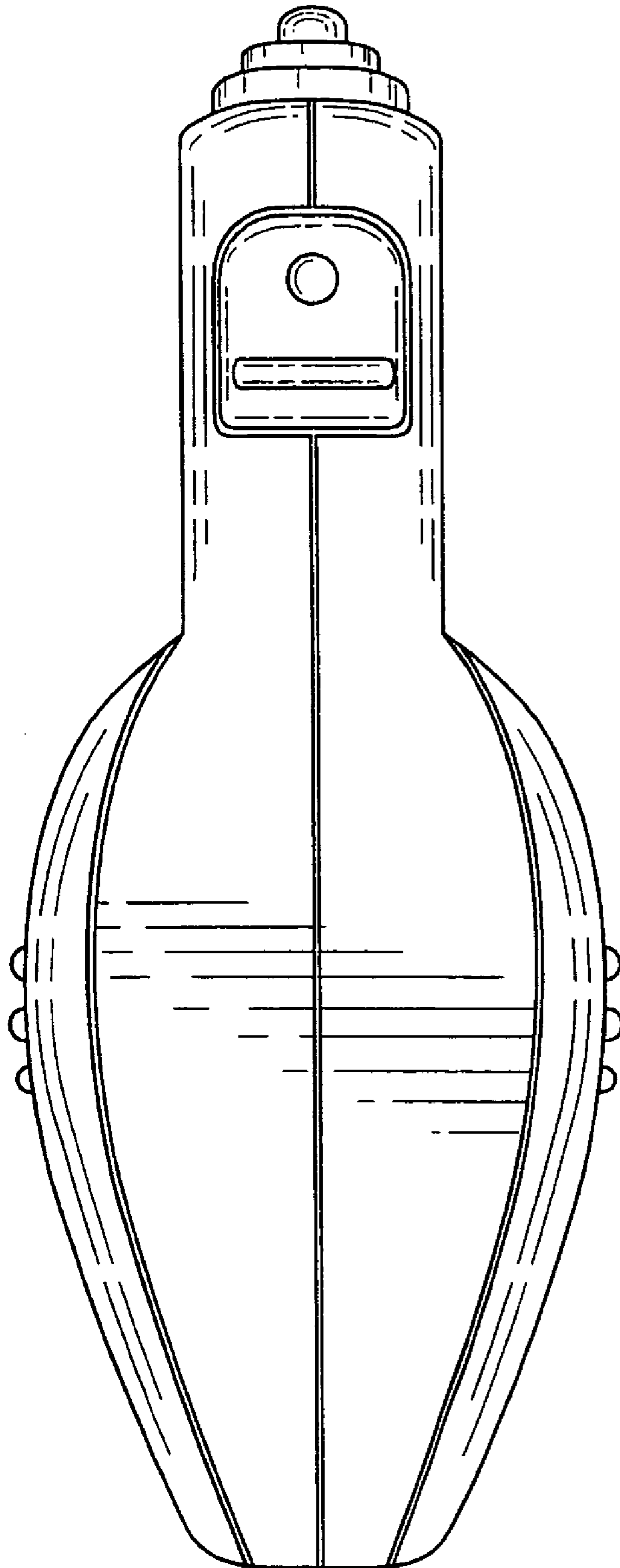


FIG. 5

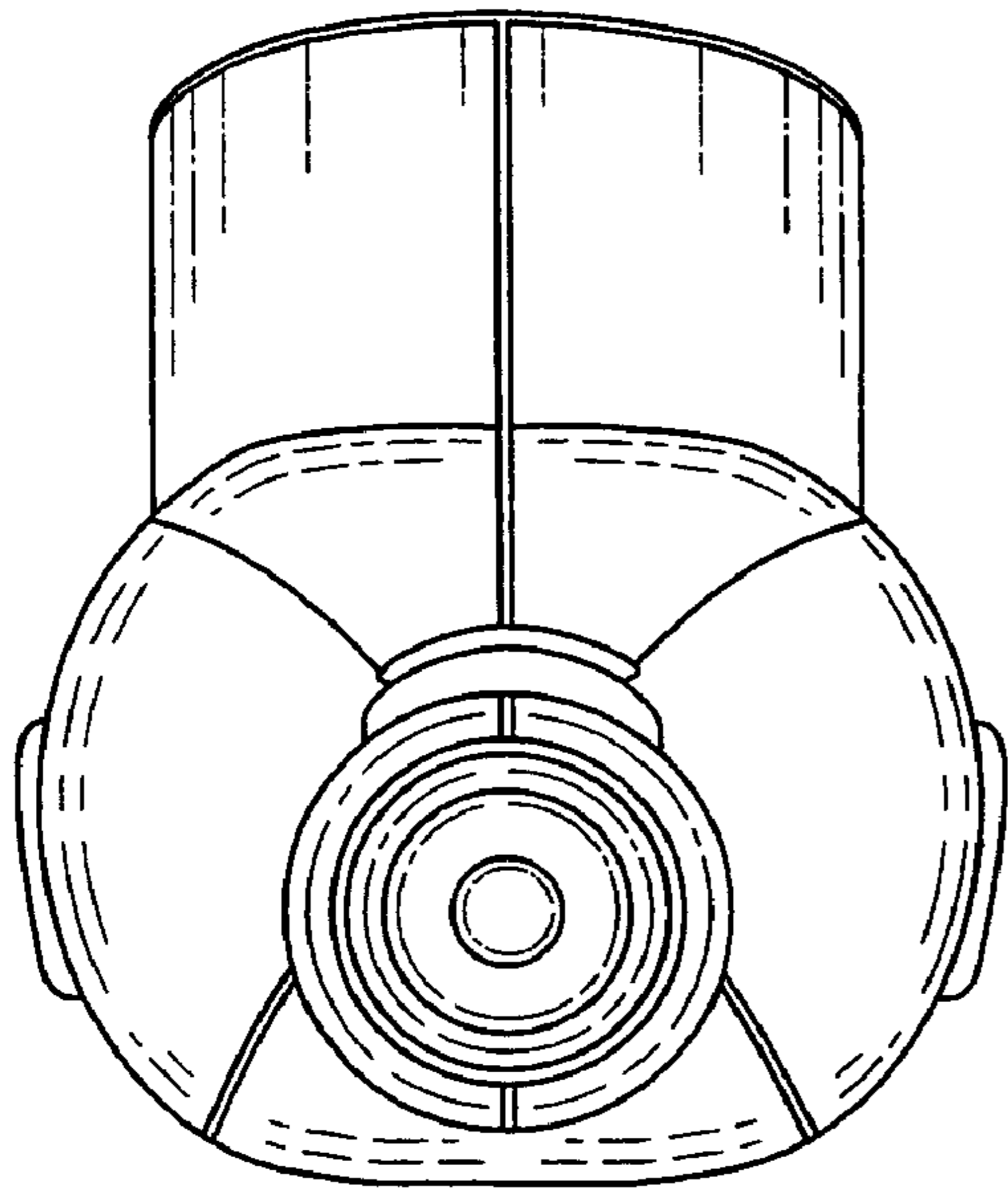


FIG. 6

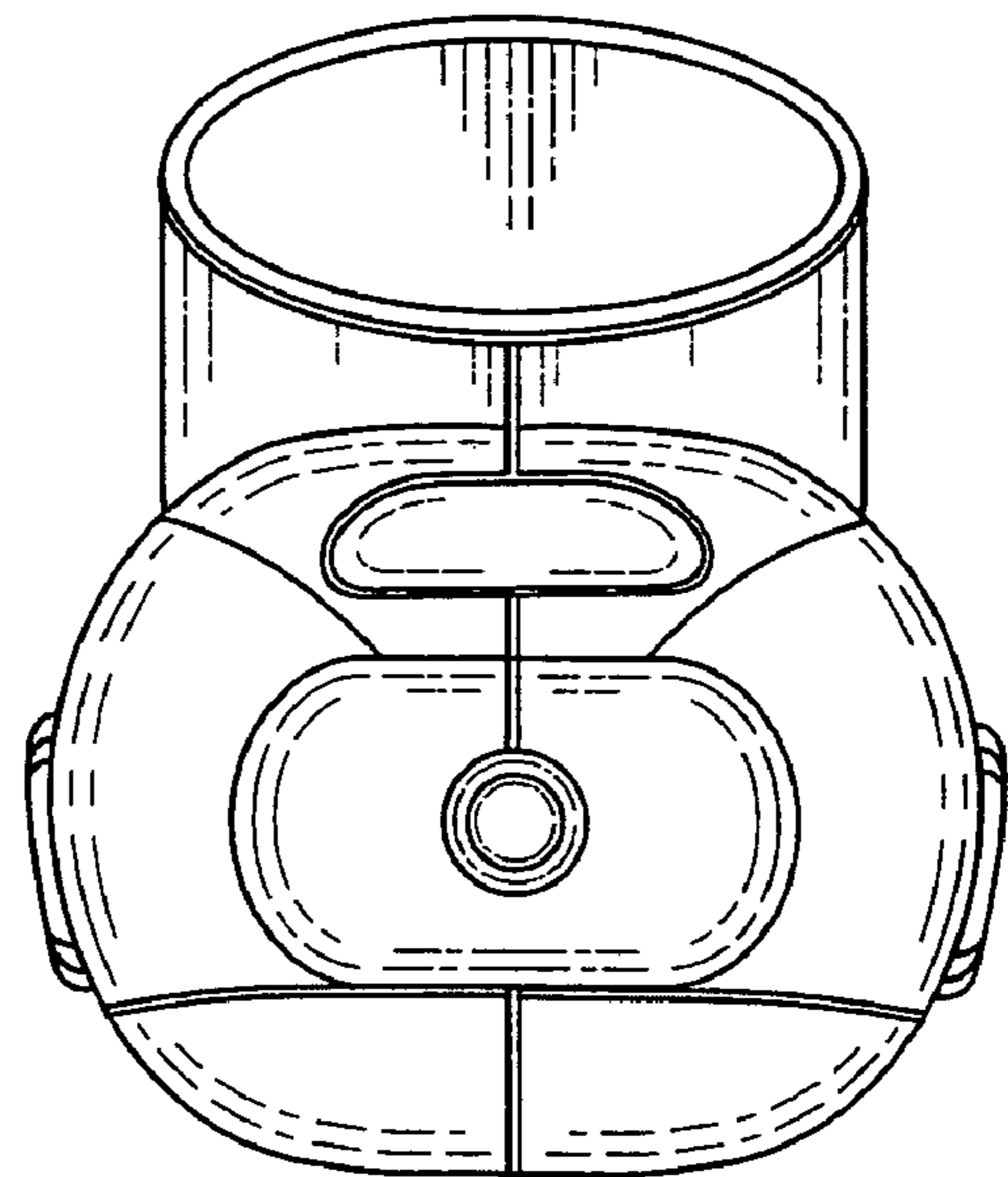


FIG. 7

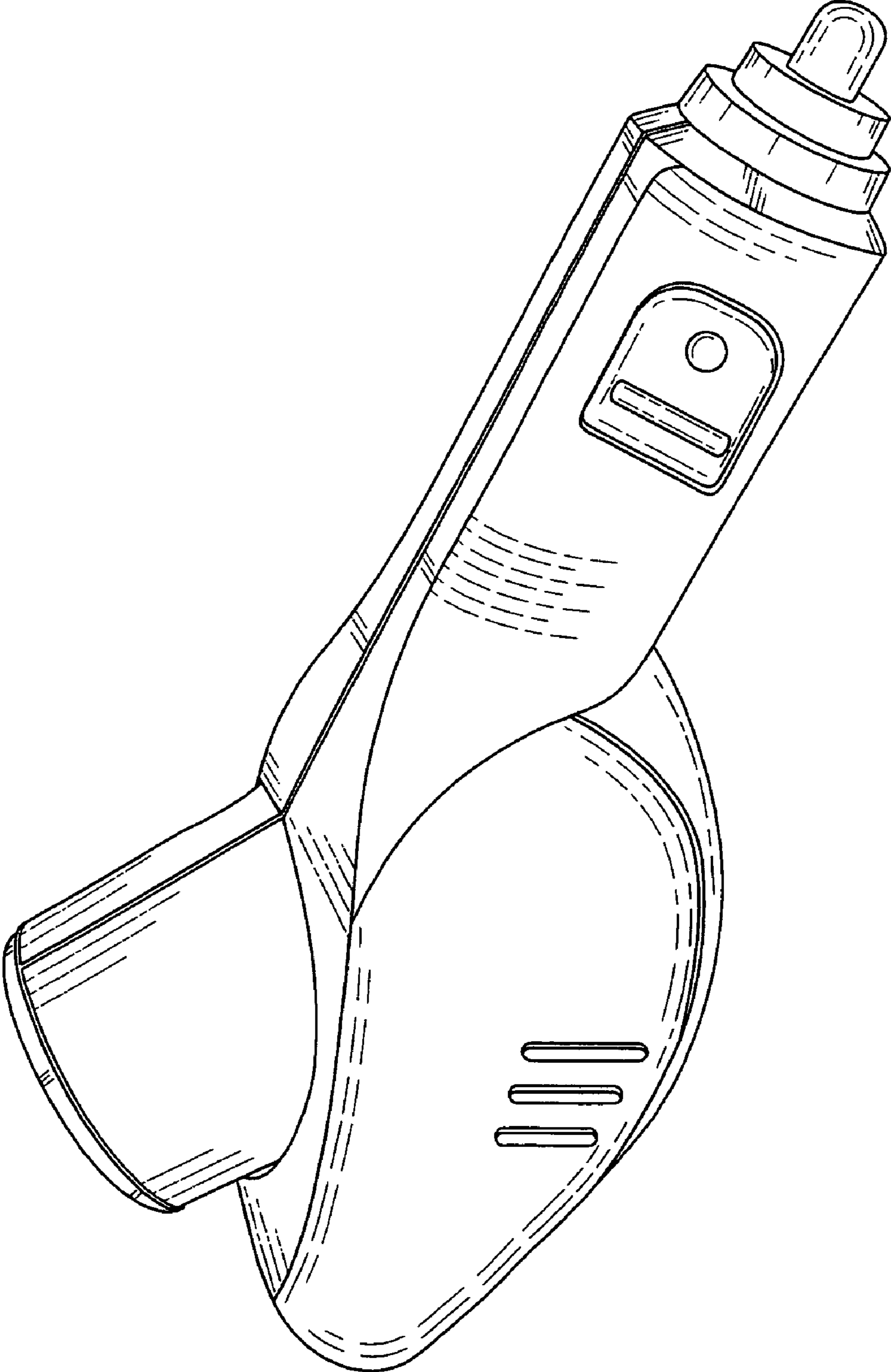


FIG. 8

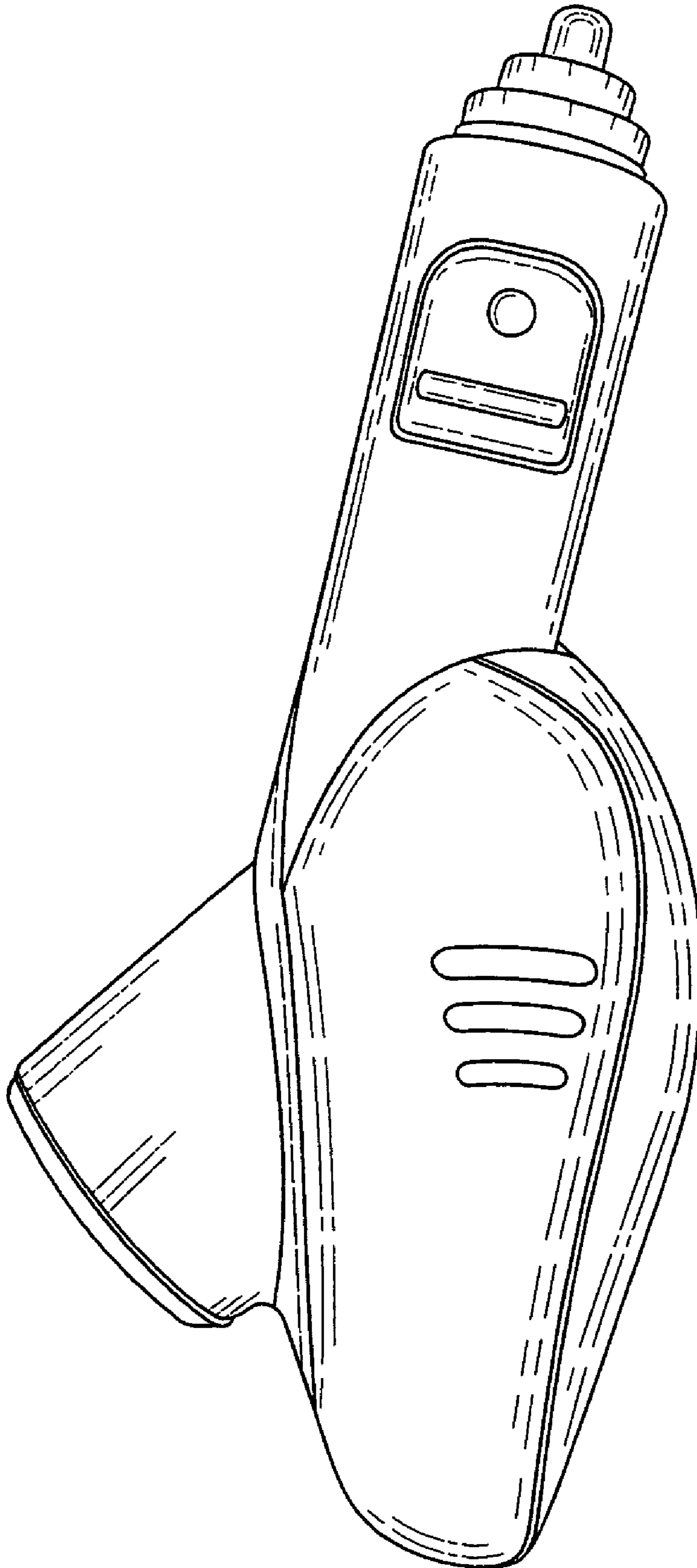


FIG. 9

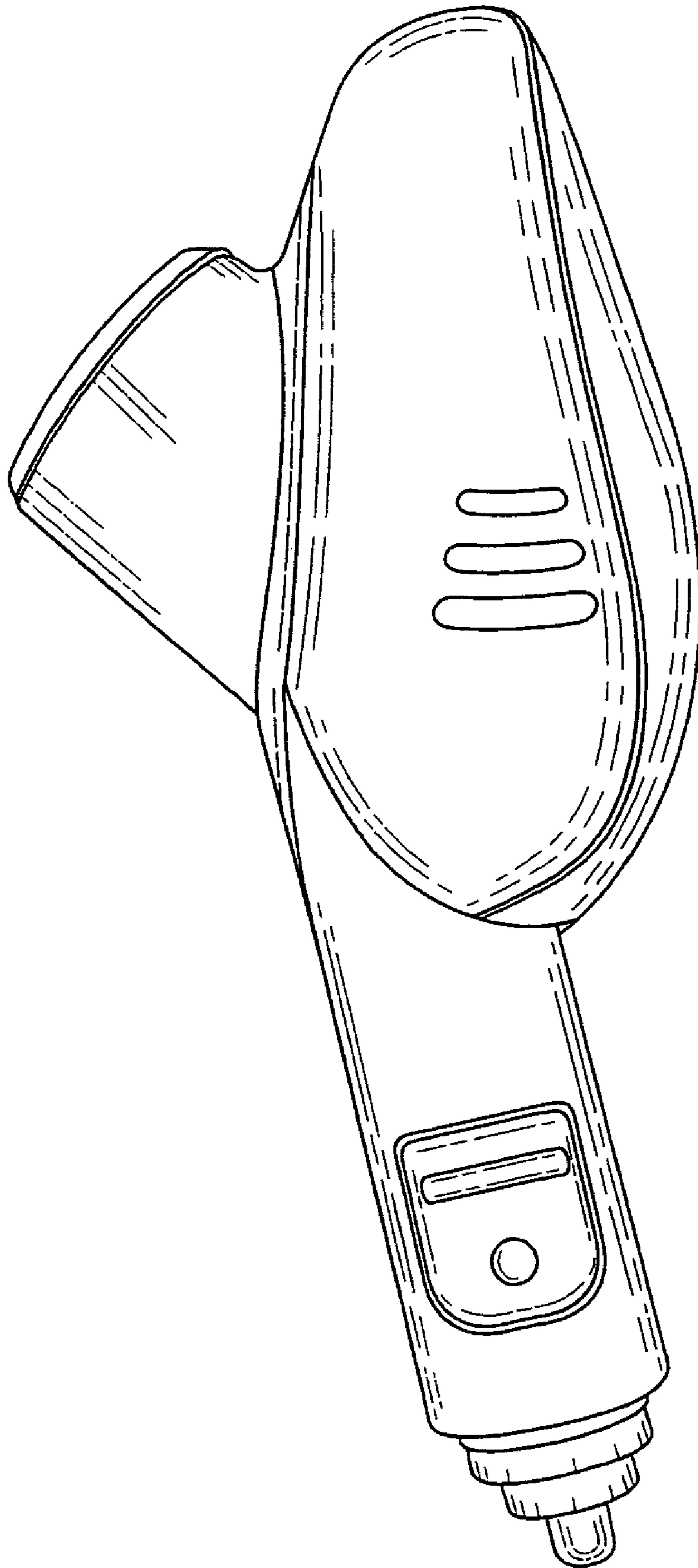


FIG. 10

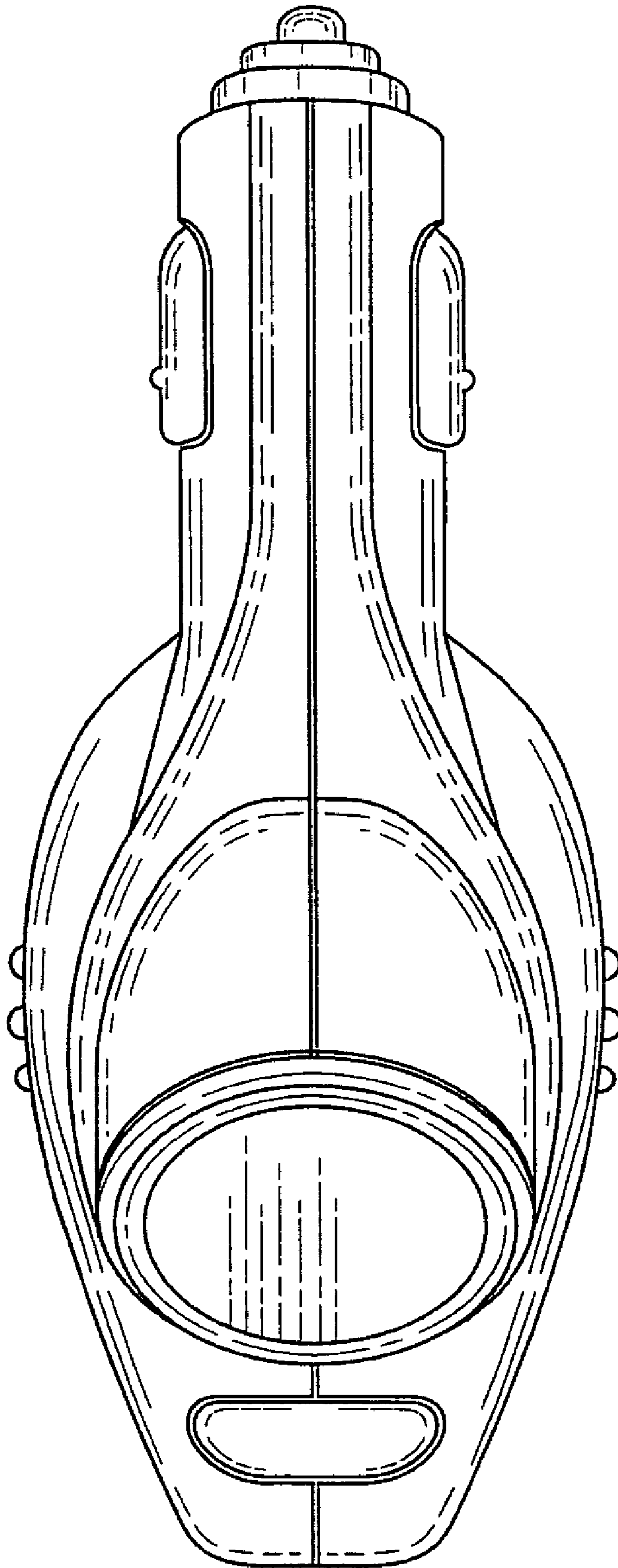


FIG. 11

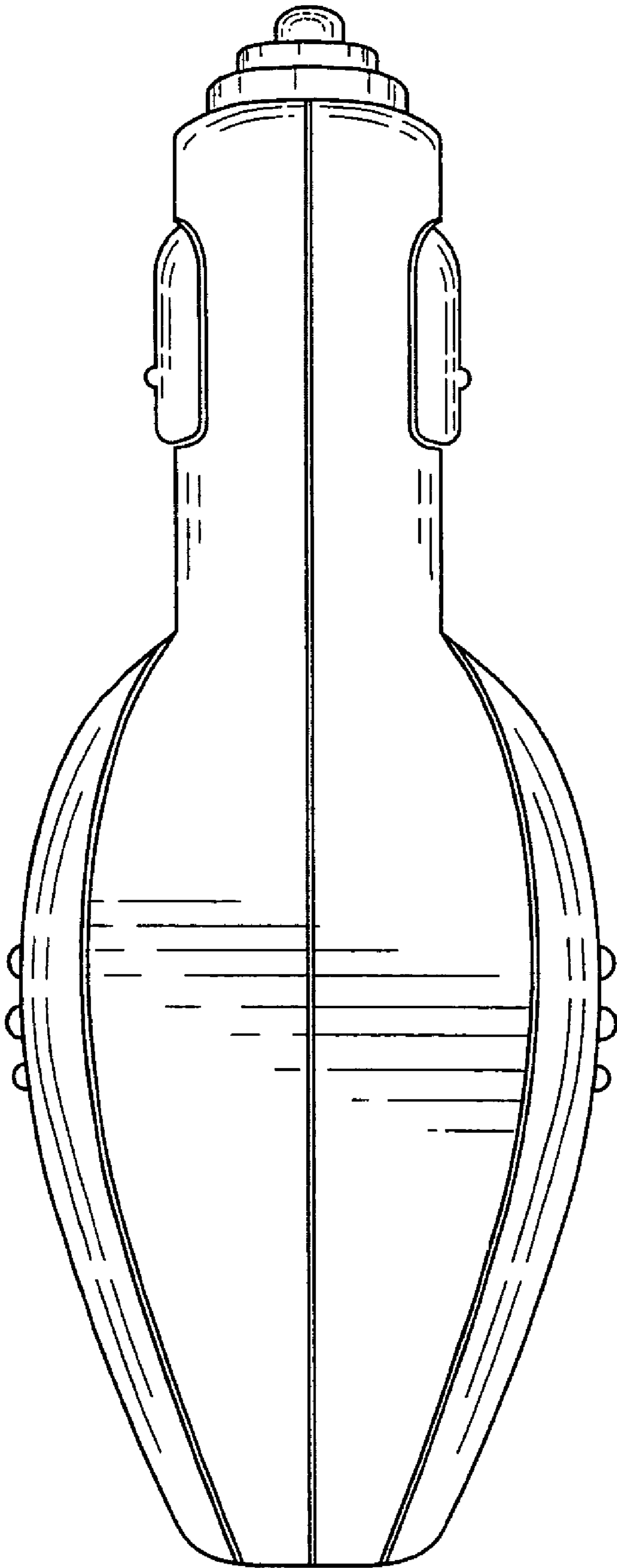


FIG. 12

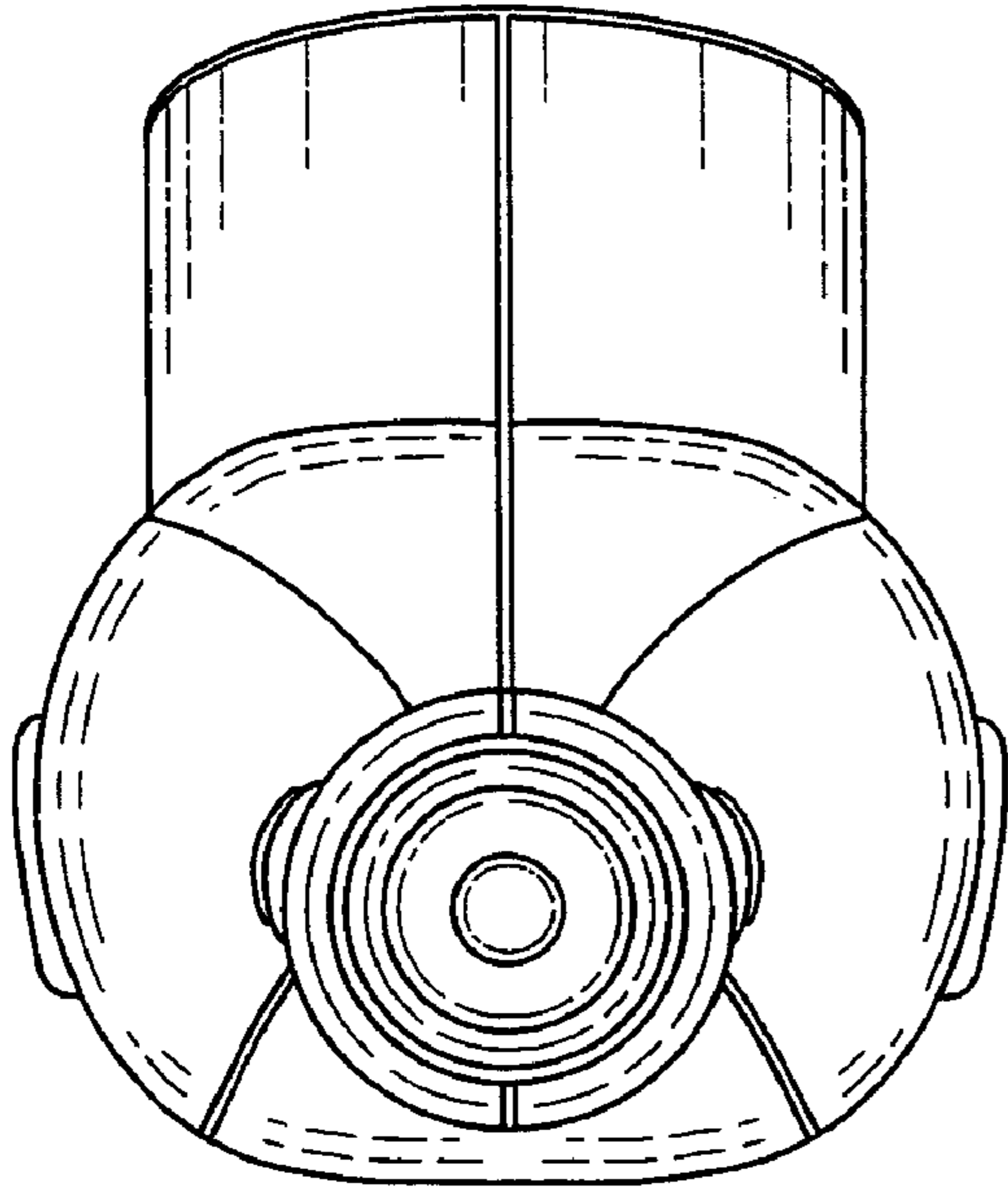


FIG. 13

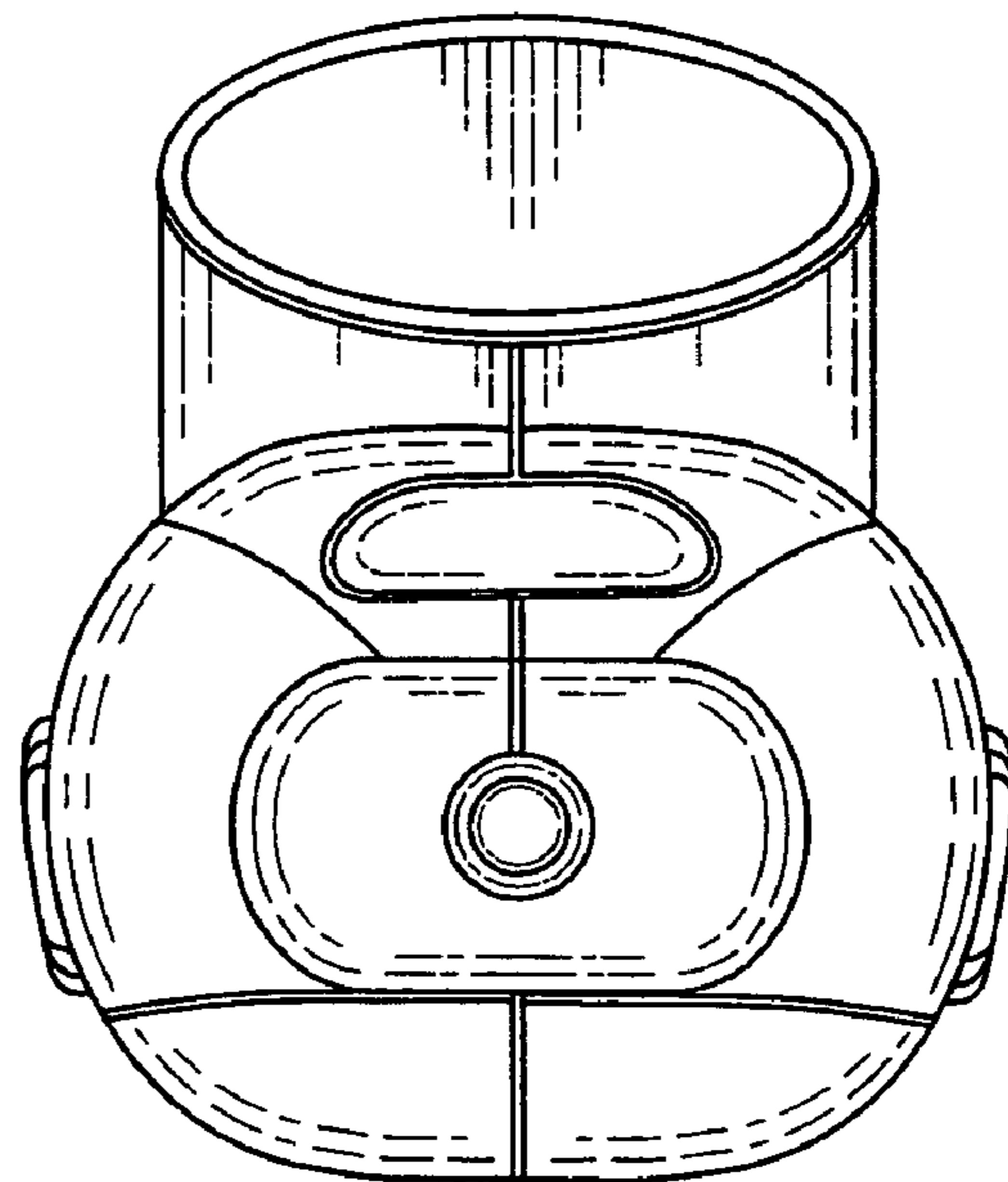


FIG. 14