



US00D609642S

(12) **United States Design Patent**  
**Gandolfi et al.**

(10) **Patent No.:** **US D609,642 S**

(45) **Date of Patent:** **\*\* \*Feb. 9, 2010**

(54) **ELECTRICAL ADAPTOR**

D561,694 S \* 2/2008 Lam et al. .... D13/137.1

(76) Inventors: **Paul R. Gandolfi**, 34953 Blanton Rd.,  
Dade City, FL (US) 33523; **Kerrie L. Campbell**, 8115 Kerry La., Chevy  
Chase, MD (US) 20815; **Peter A. Czerner**, 2910 Hammock Vista Ct., Plant  
City, FL (US) 33566; **Frank S Brugner**,  
2074 Envoy Ct., Clearwater, FL (US)  
33764; **Douglas B Tilghman**, 11244  
Blacksmith Dr., Tampa, FL (US) 33626

\* cited by examiner

*Primary Examiner*—Rosemary K Tarcza  
(74) *Attorney, Agent, or Firm*—Frijouf, Rust & Pyle P.A.

(57) **CLAIM**

The ornamental design for a electrical adaptor, as shown and described.

**DESCRIPTION**

FIG. 1 is an isometric front view of a first embodiment of my new design for an electrical adaptor;

FIG. 2 is an isometric rear view thereof;

FIG. 3 is a front view thereof;

FIG. 4 is a rear view thereof;

FIG. 5 is a left side view of FIG. 3;

FIG. 6 is a right side view of FIG. 3;

FIG. 7 is a top view of FIG. 3;

FIG. 8 is a bottom view of FIG. 3;

FIG. 9 is an isometric front view of a second embodiment of my new design for an electrical adaptor;

FIG. 10 is an isometric rear view thereof;

FIG. 11 is a front view thereof;

FIG. 12 is a rear view thereof;

FIG. 13 is a left side view of FIG. 11;

FIG. 14 is a right side view of FIG. 11;

FIG. 15 is a top view of FIG. 11; and,

FIG. 16 is a bottom view of FIG. 11.

(\*\*) Term: **14 Years**

(21) Appl. No.: **29/312,580**

(22) Filed: **Oct. 31, 2008**

(51) **LOC (9) Cl.** ..... **13-03**

(52) **U.S. Cl.** ..... **D13/137.2**

(58) **Field of Classification Search** .. D13/137.1–139.8,  
D13/184; D14/433; 174/53–58, 66; 439/105–107,  
439/535, 650–655, 692

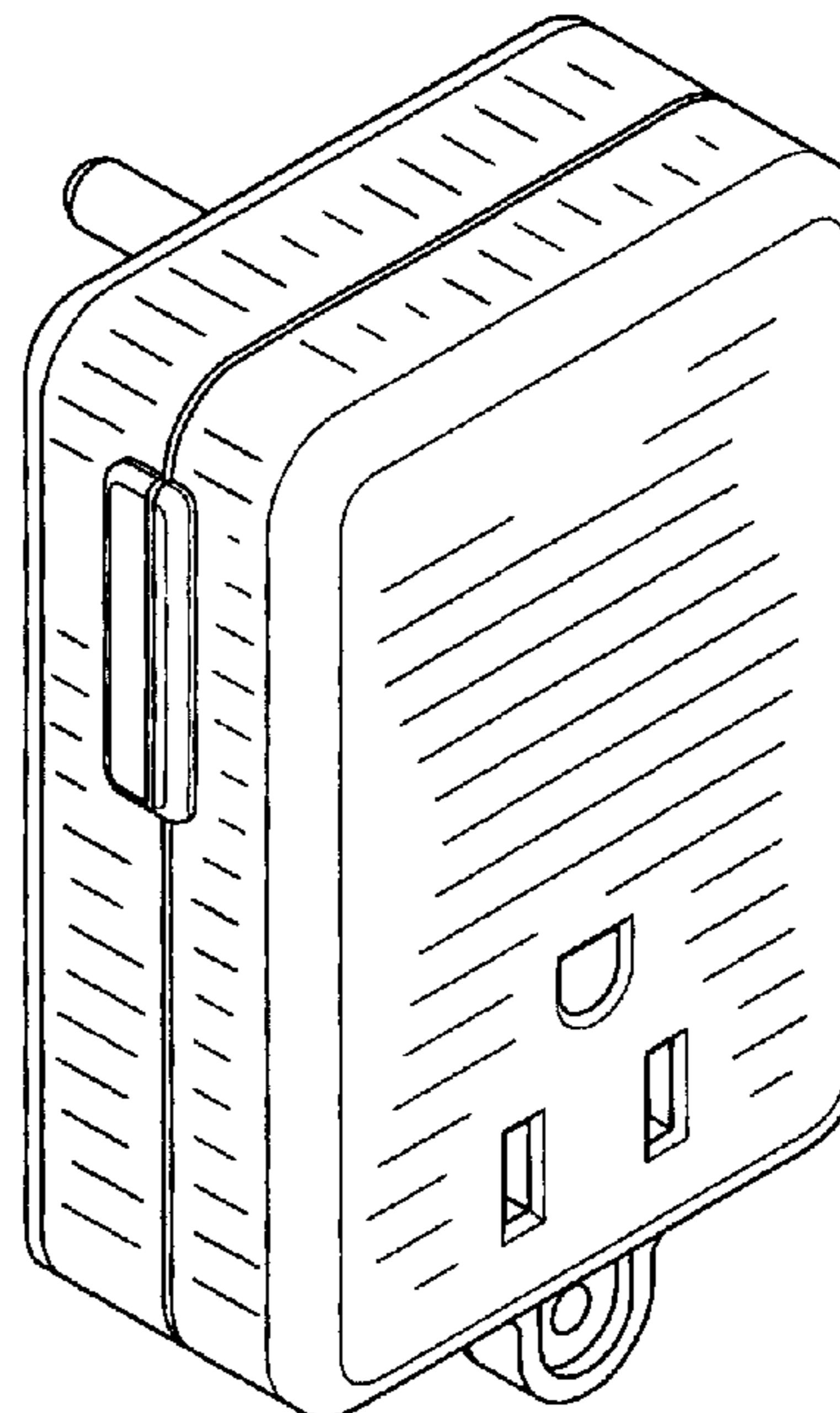
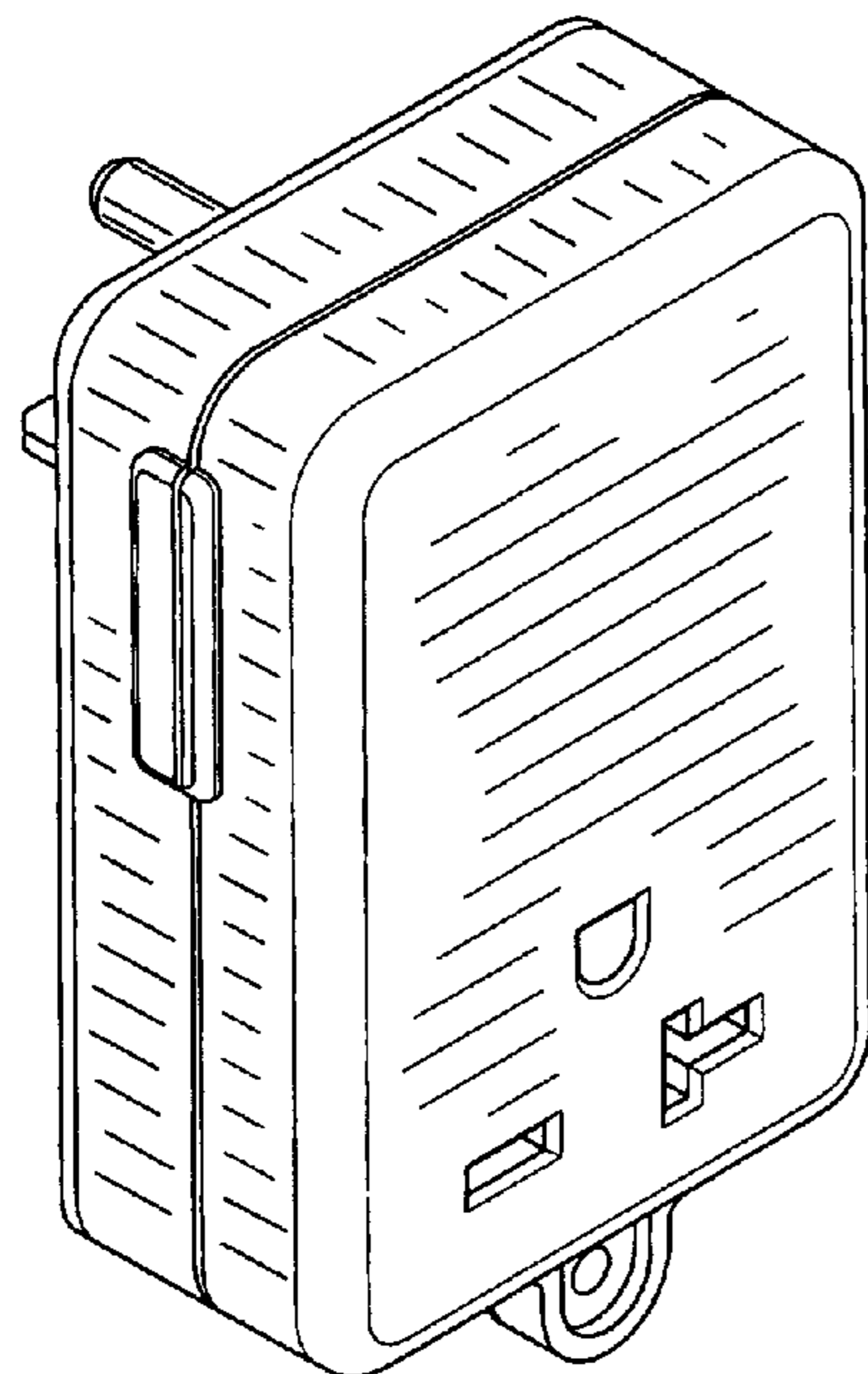
See application file for complete search history.

(56) **References Cited**

**U.S. PATENT DOCUMENTS**

1,568,156	A	*	1/1926	Herskovitz	.....	439/652
D315,893	S	*	4/1991	Cheng	.....	D13/165
D342,581	S	*	12/1993	Reynolds	.....	D26/26
D382,251	S	*	8/1997	Tsui	.....	D13/137.1
D436,345	S	*	1/2001	Lentine	.....	D13/137.2
D450,036	S	*	11/2001	Okamoto	.....	D13/137.2
D547,271	S	*	7/2007	Ng et al.	.....	D13/137.1

**1 Claim, 8 Drawing Sheets**



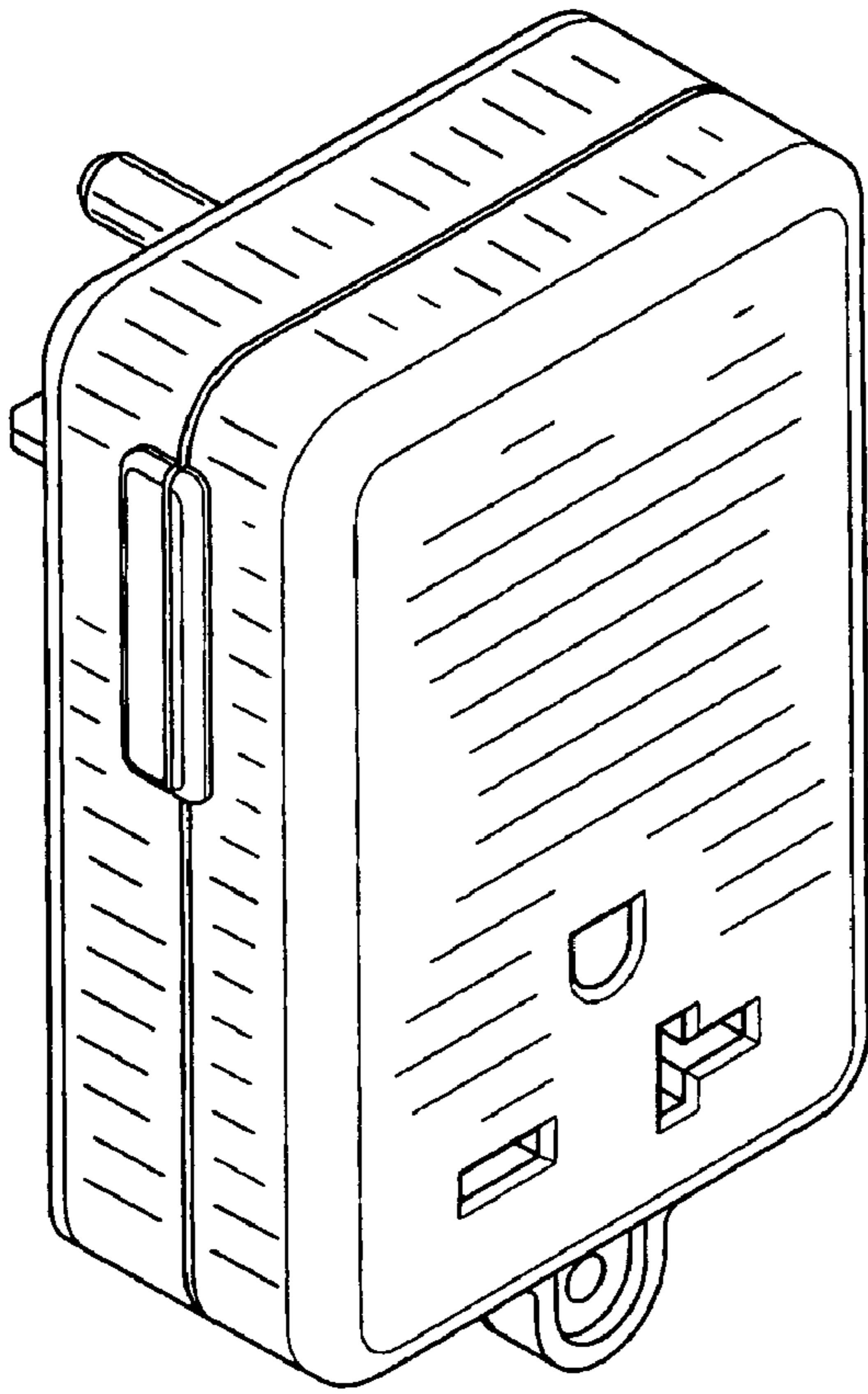


FIG. 1

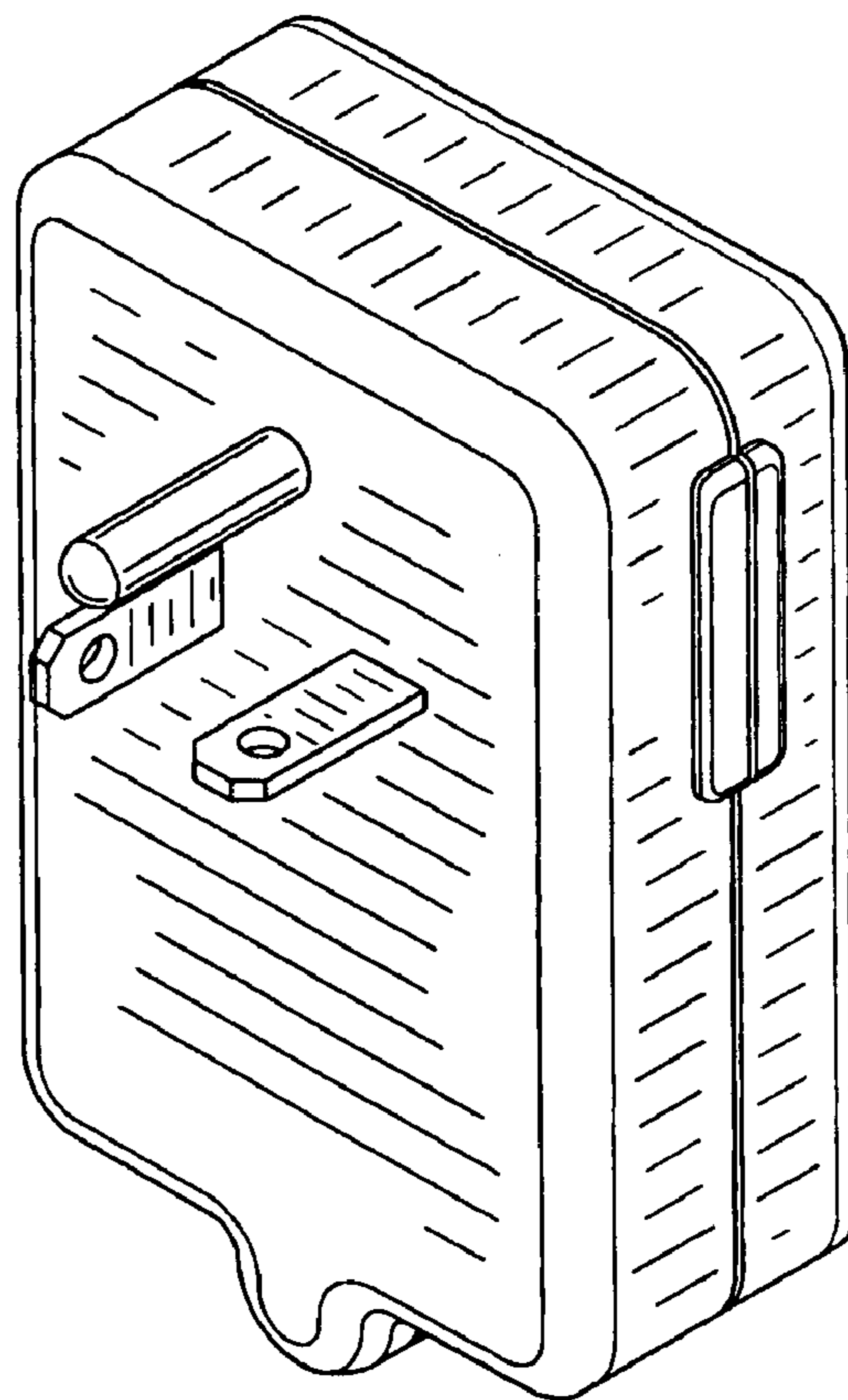


FIG. 2

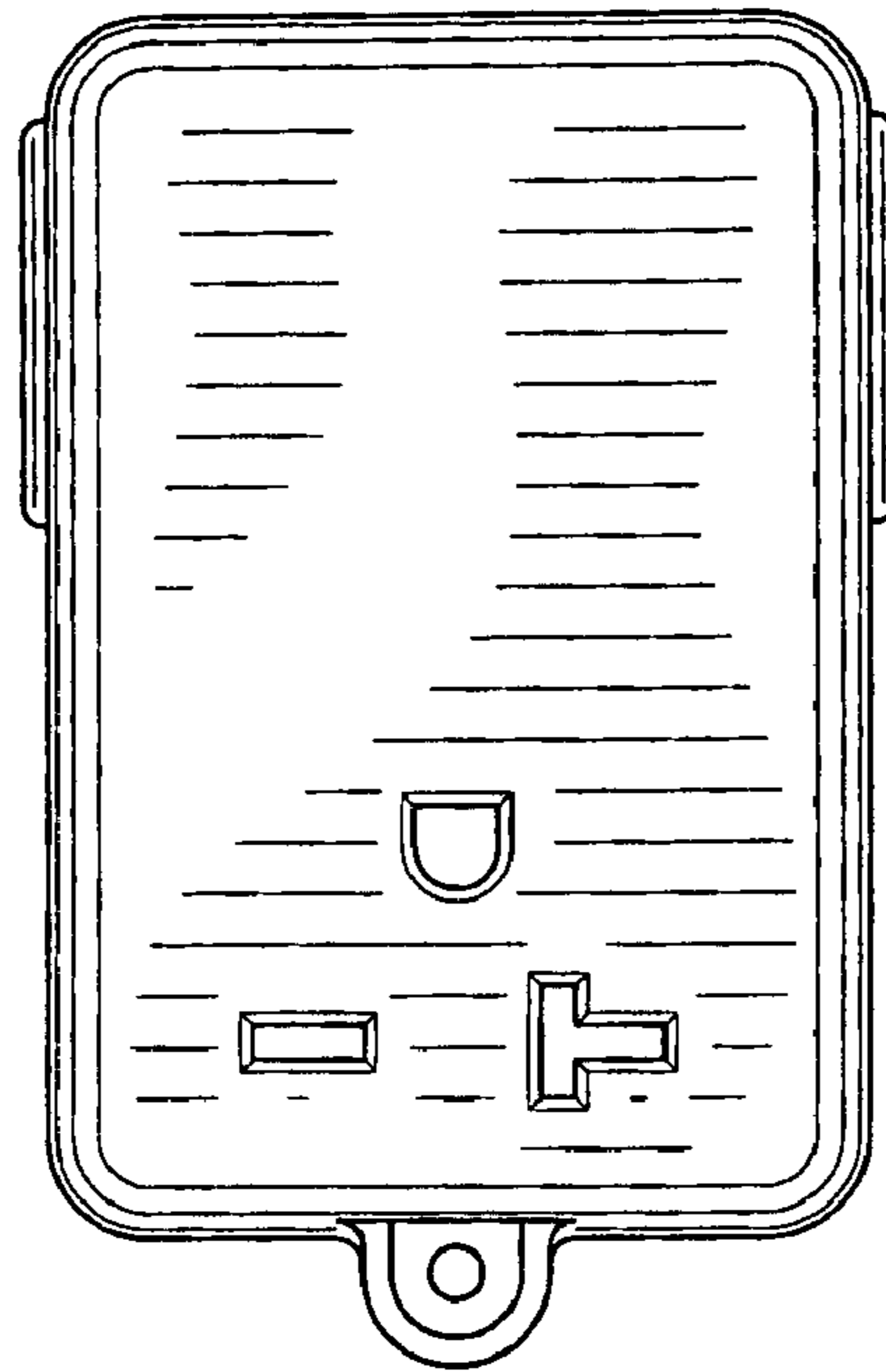


FIG. 3

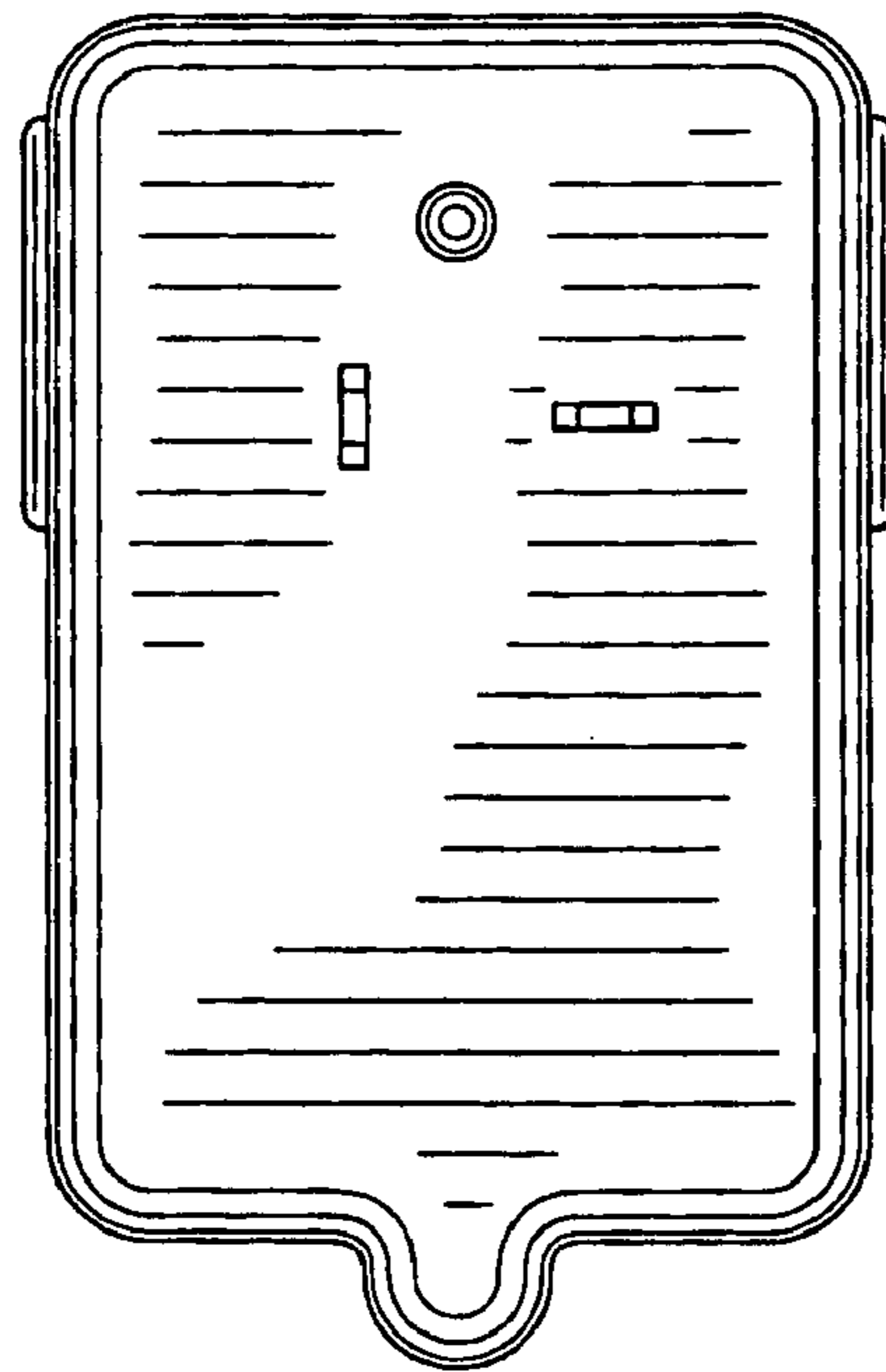


FIG. 4

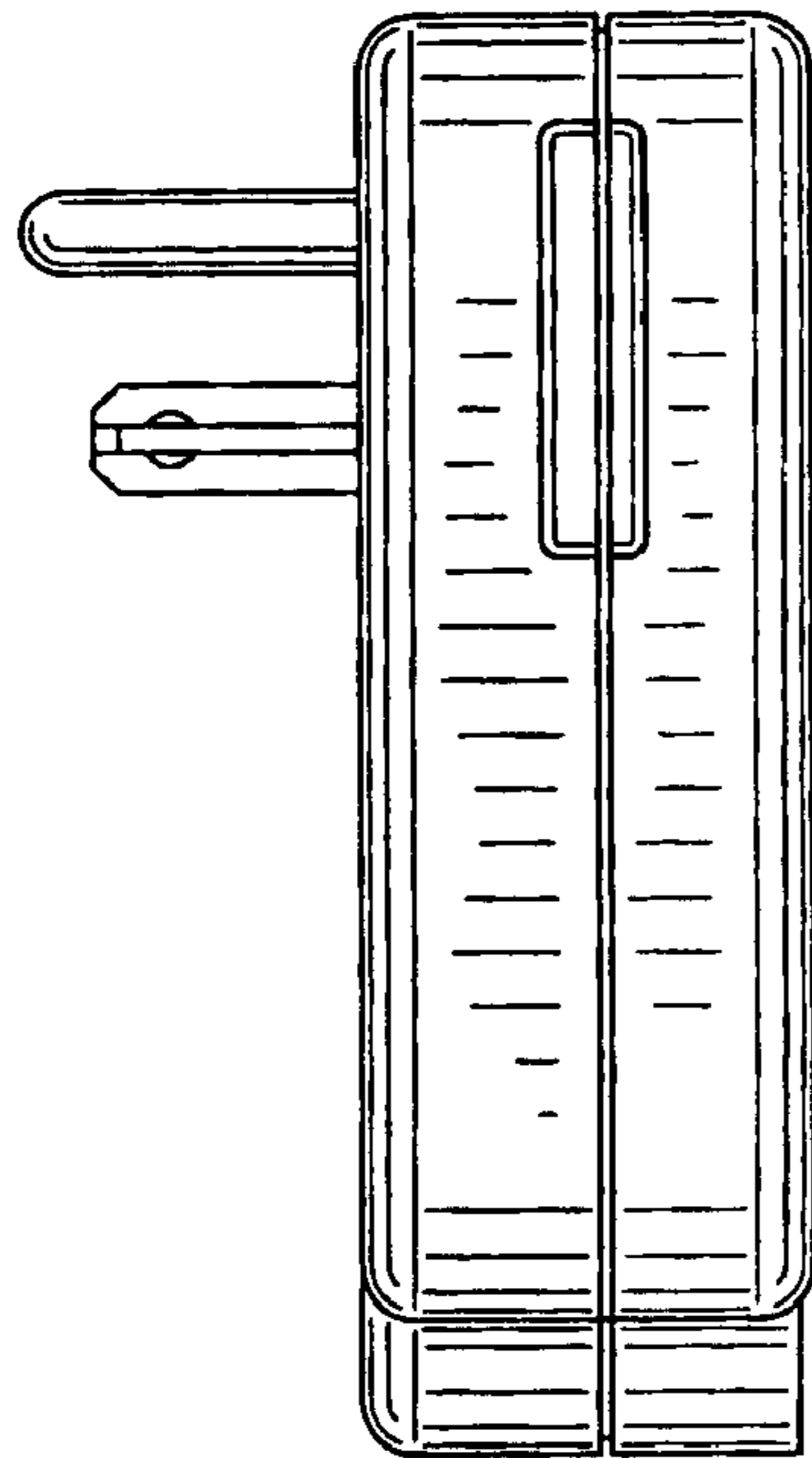


FIG. 5

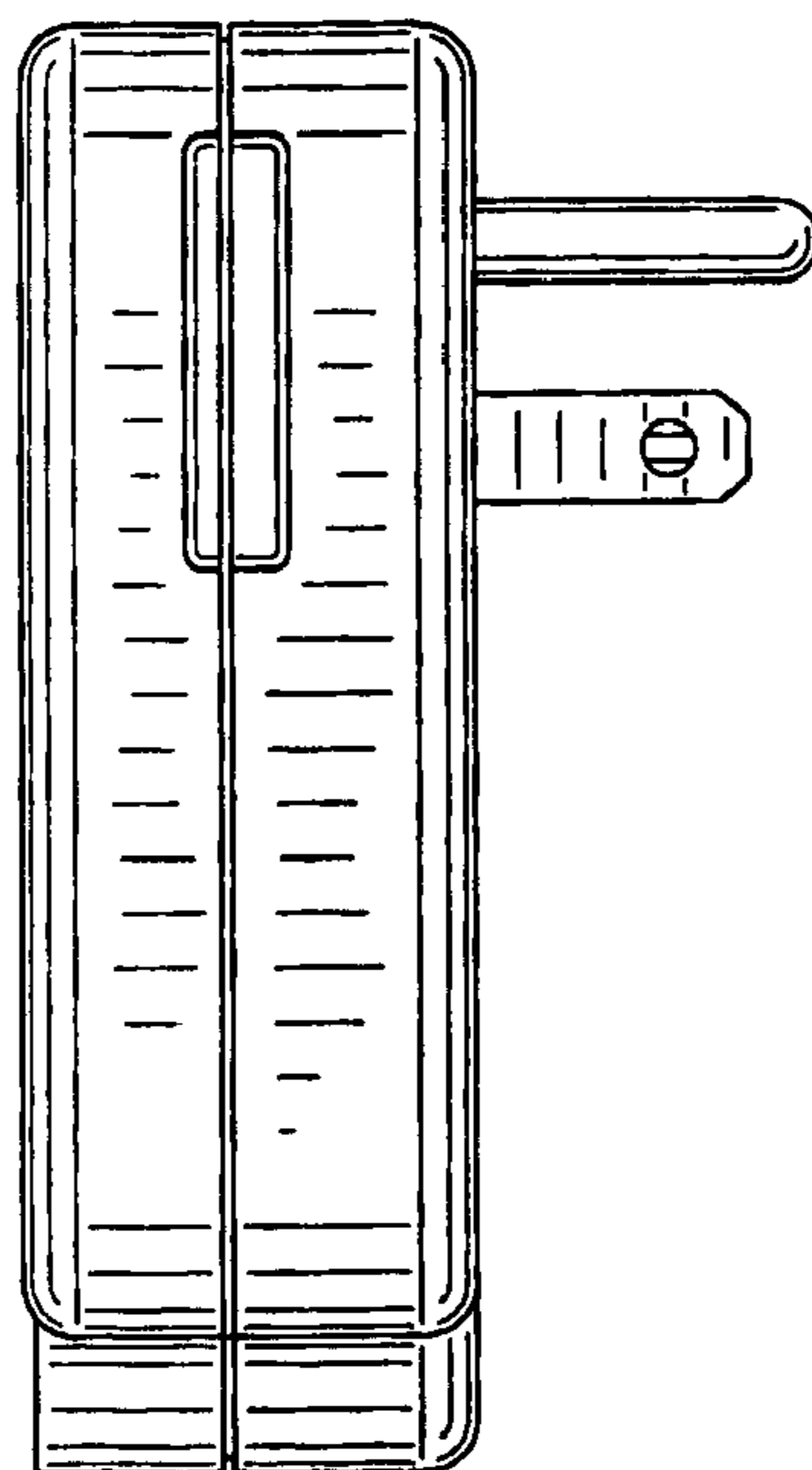


FIG. 6

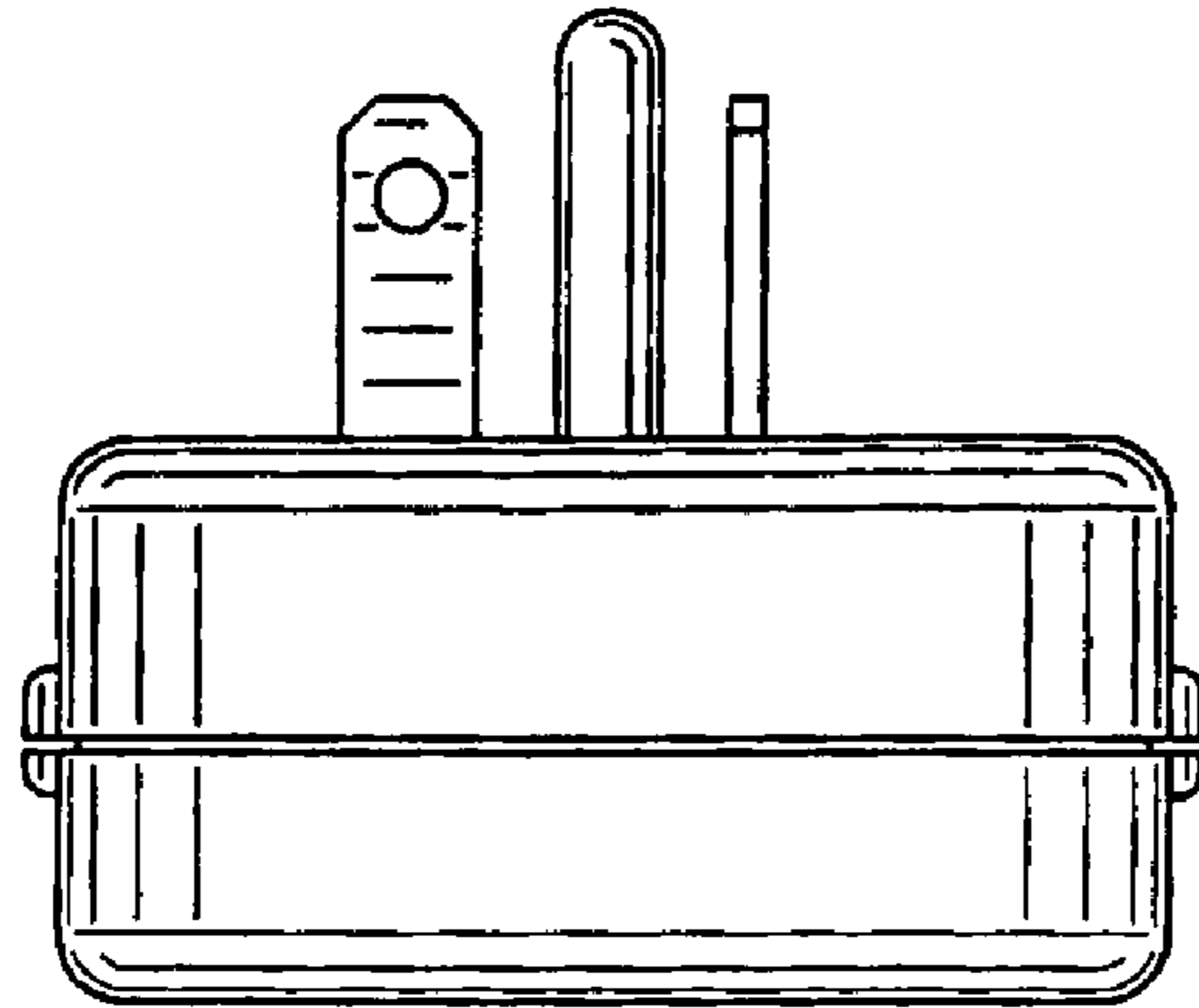


FIG. 7

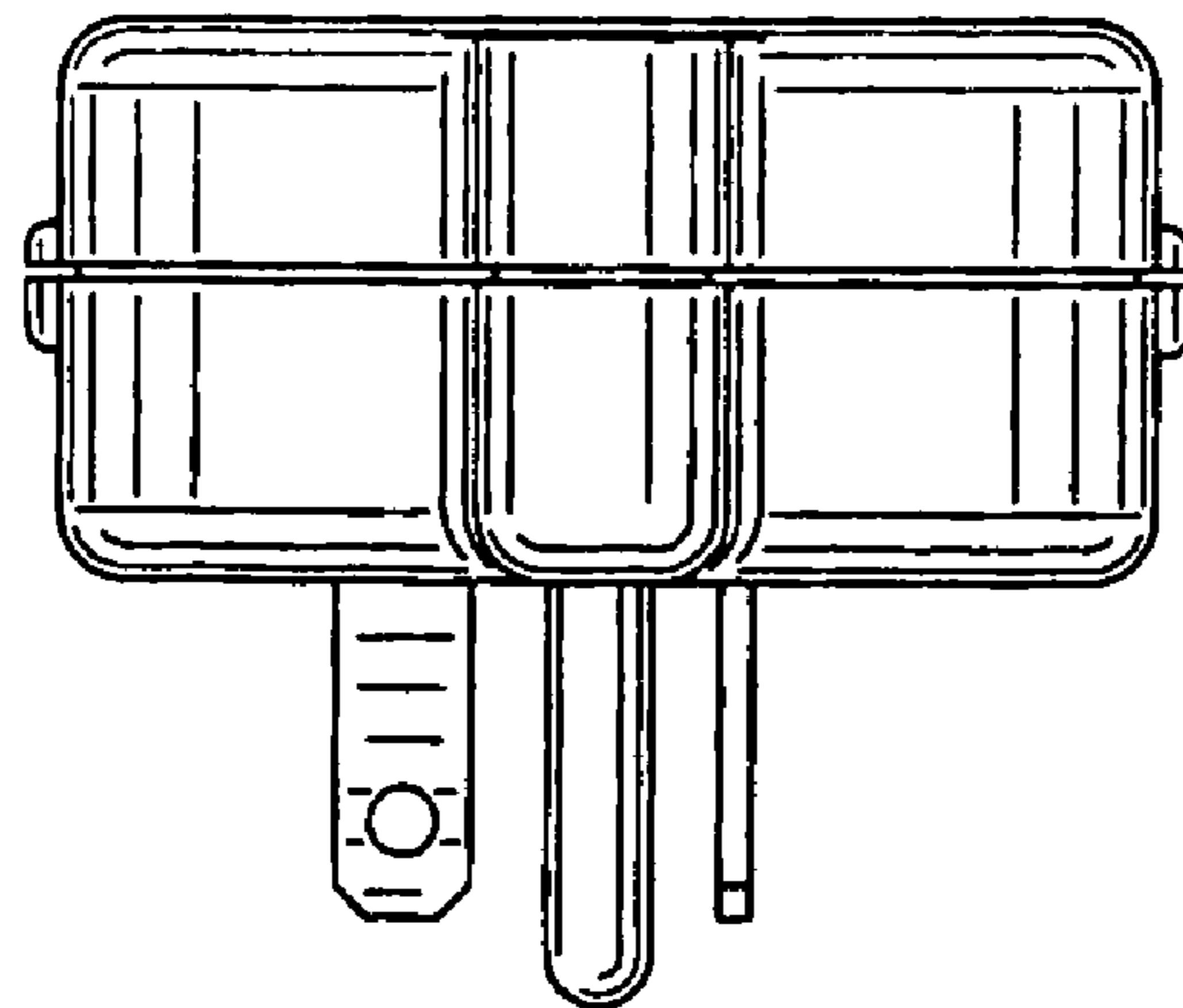


FIG. 8



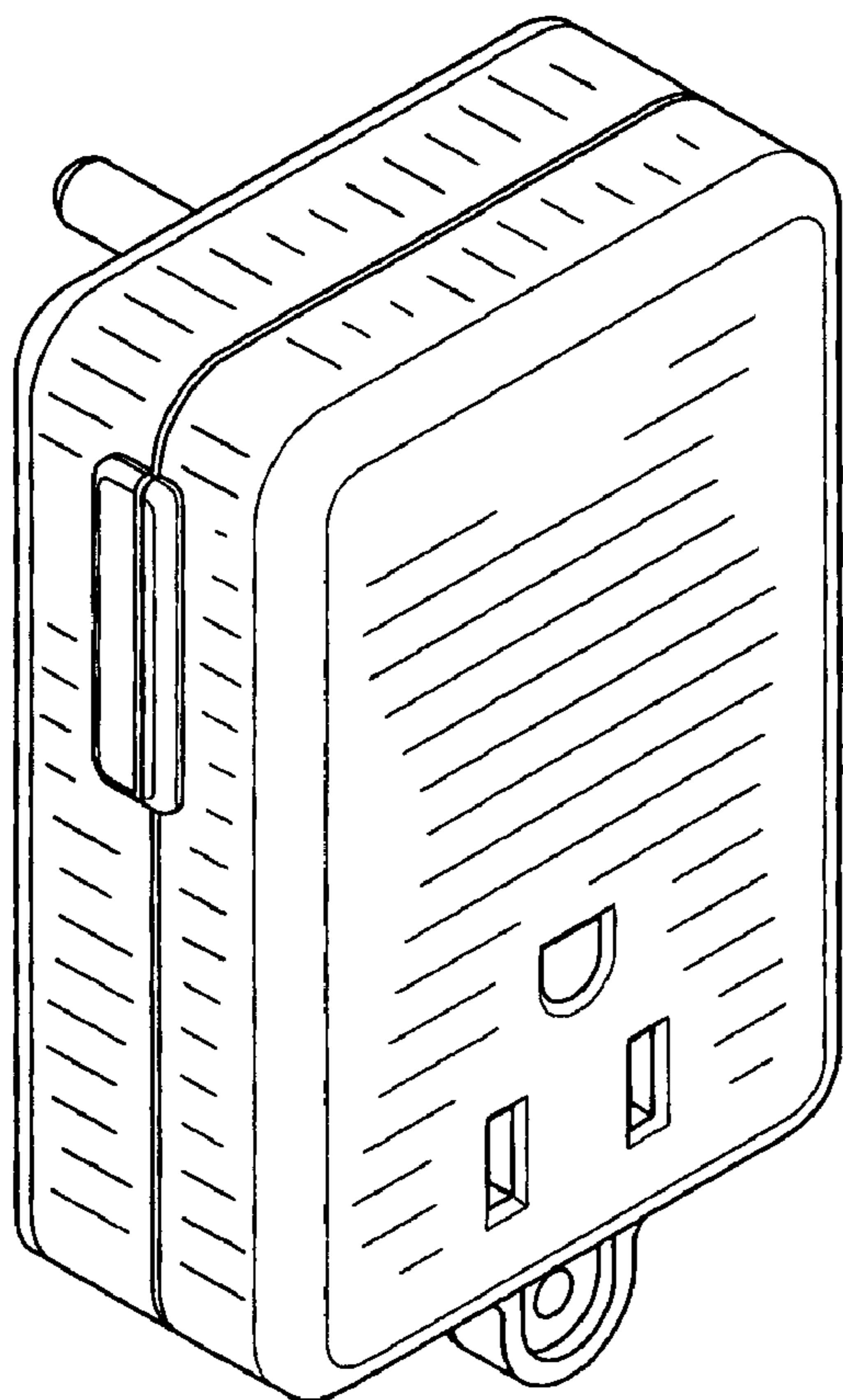


FIG. 9

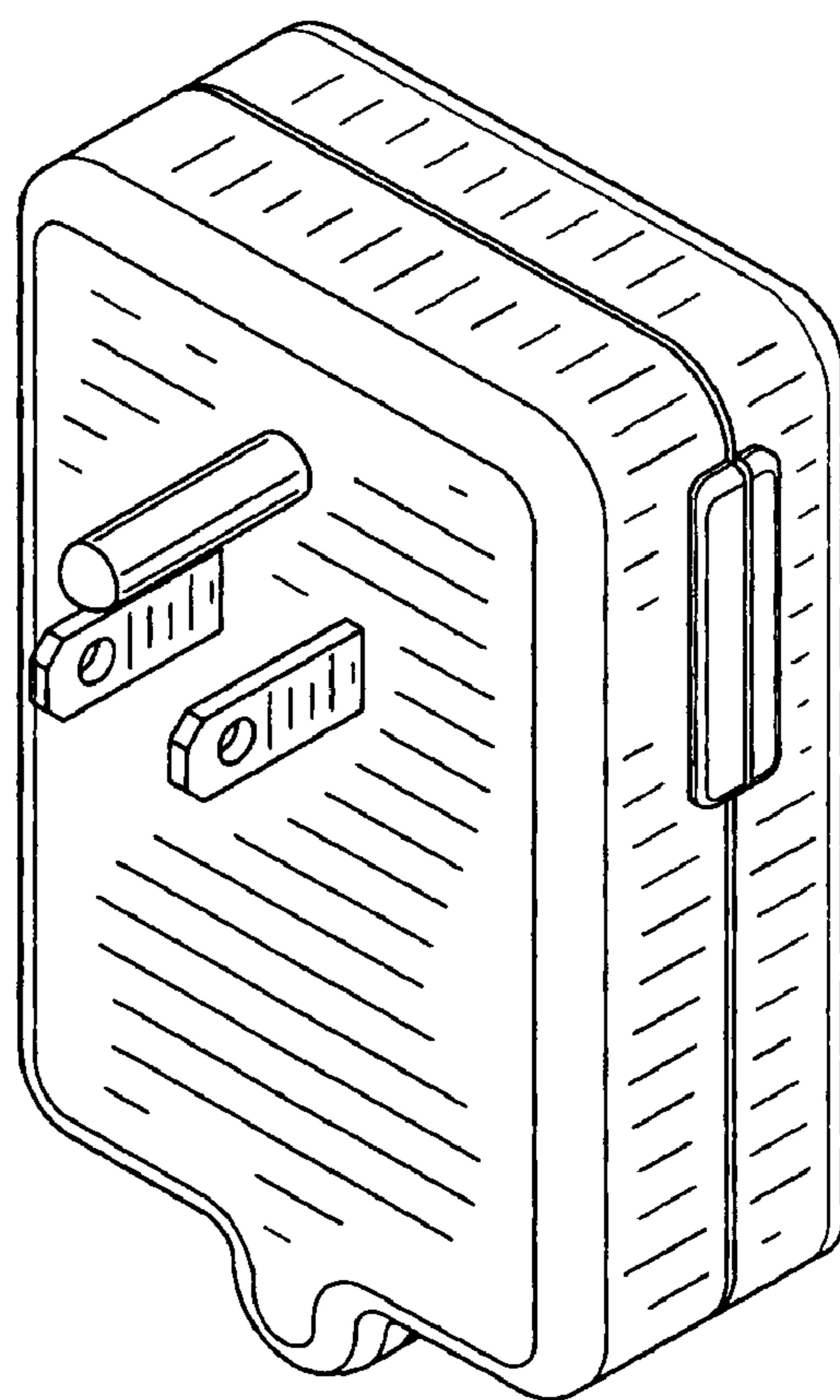


FIG. 10

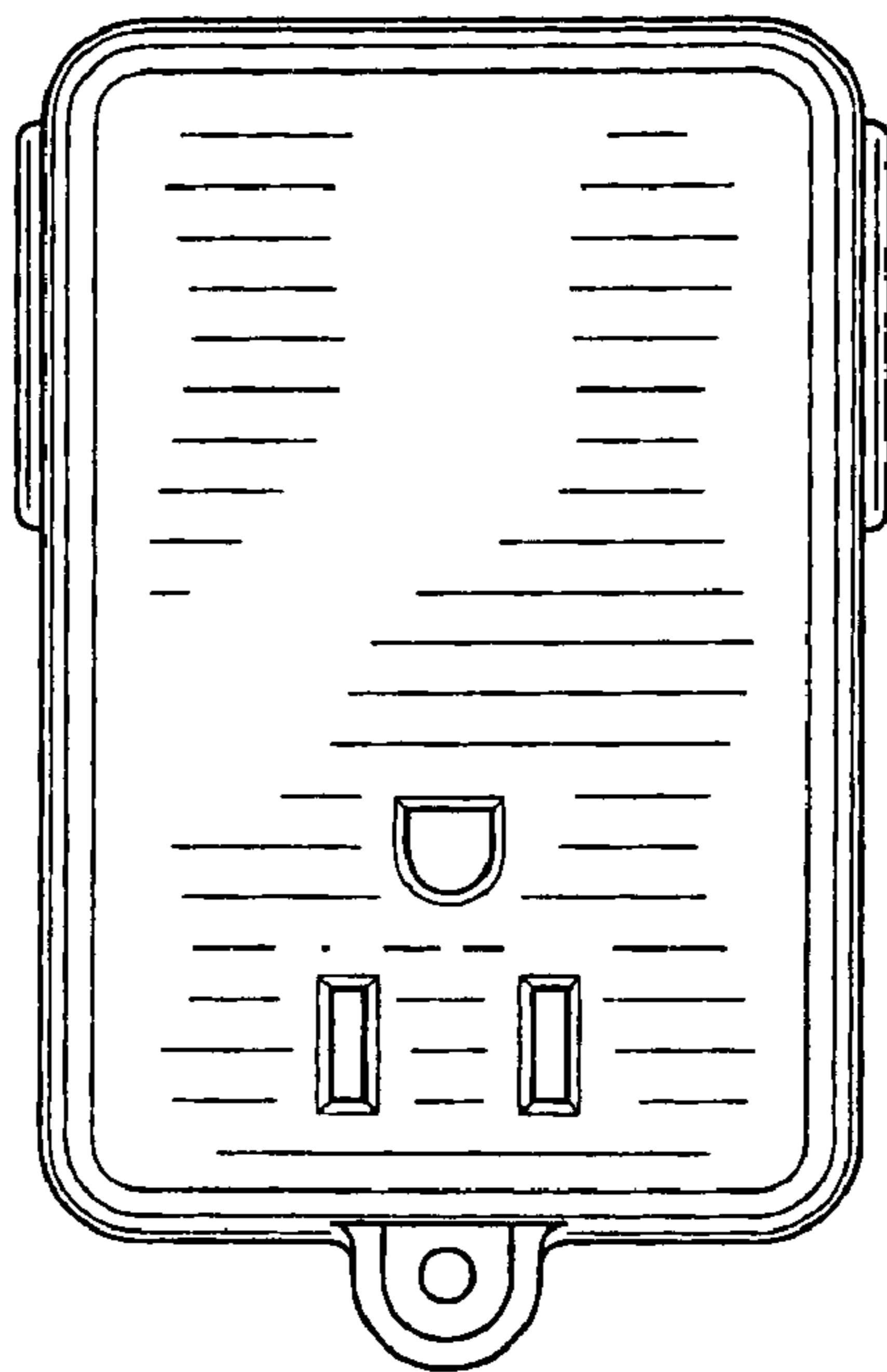


FIG. 11

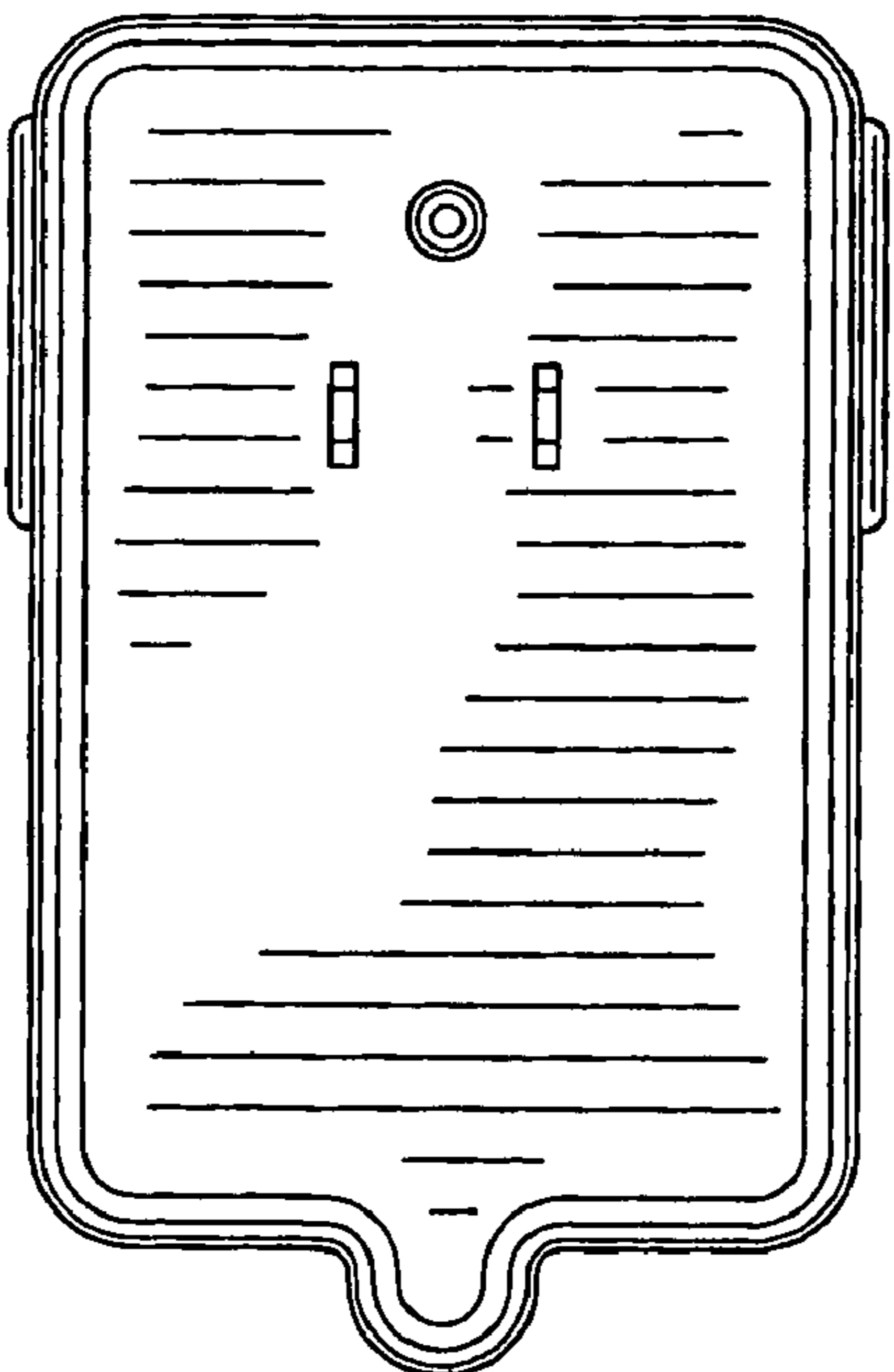


FIG. 12

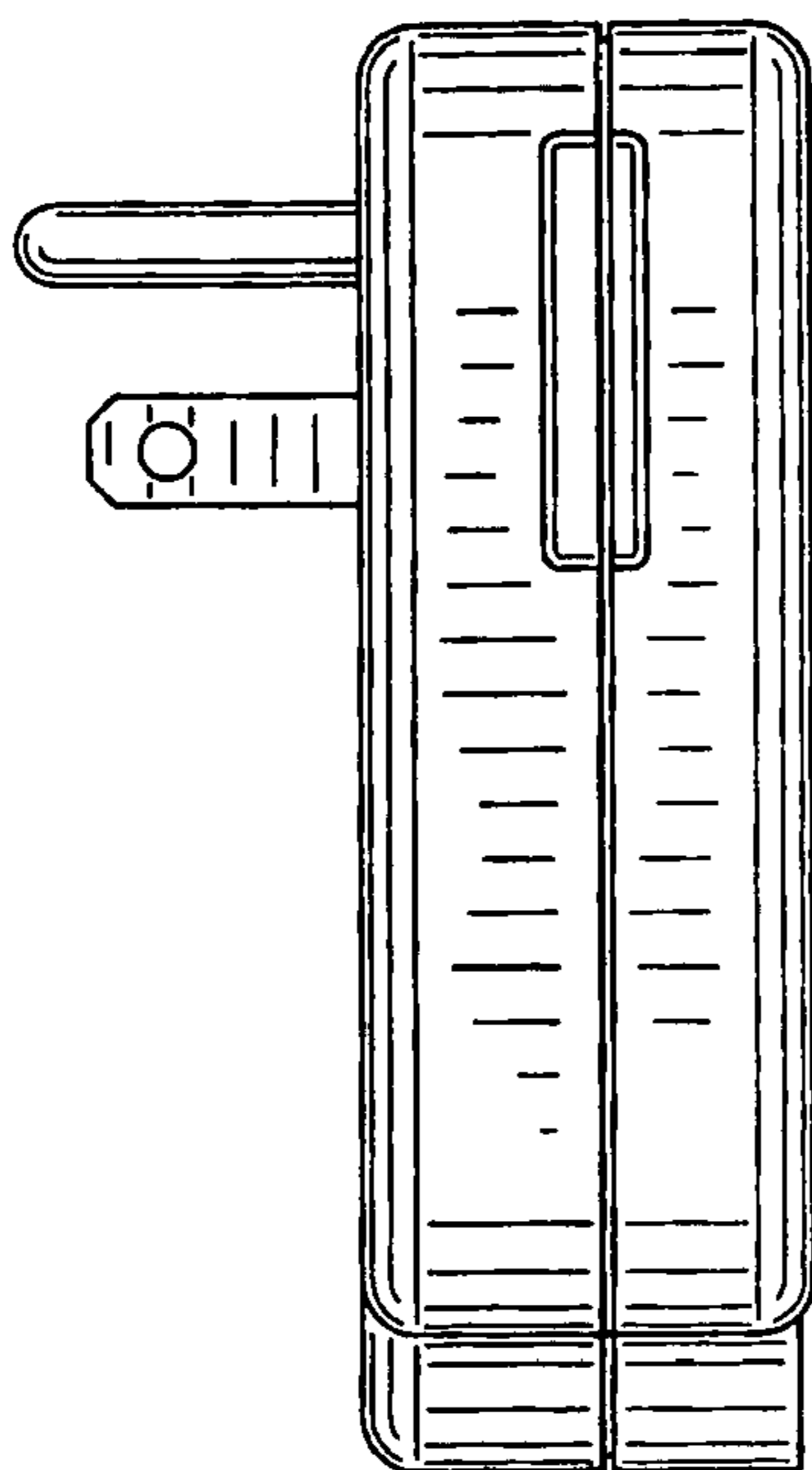


FIG. 13

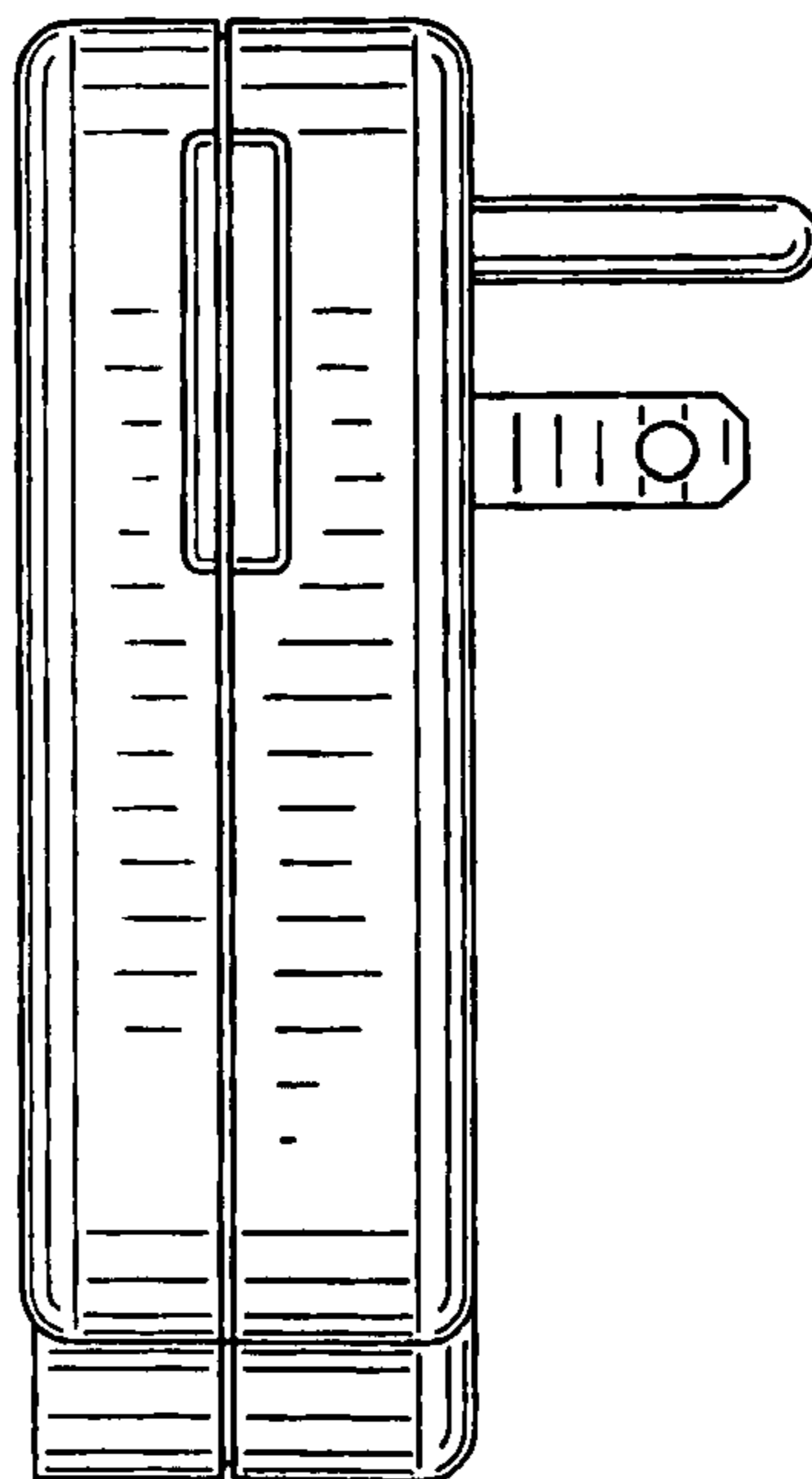


FIG. 14



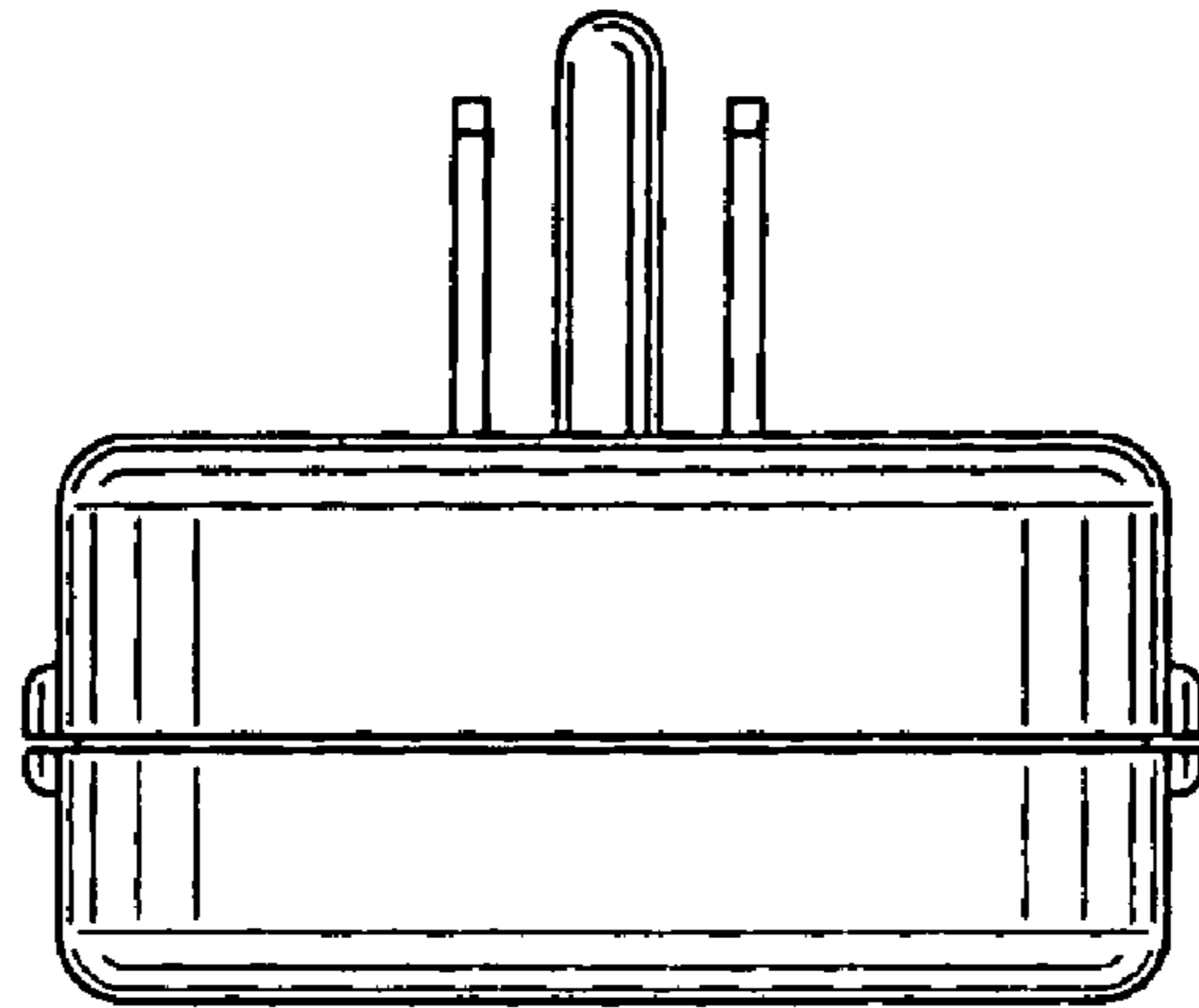


FIG. 15

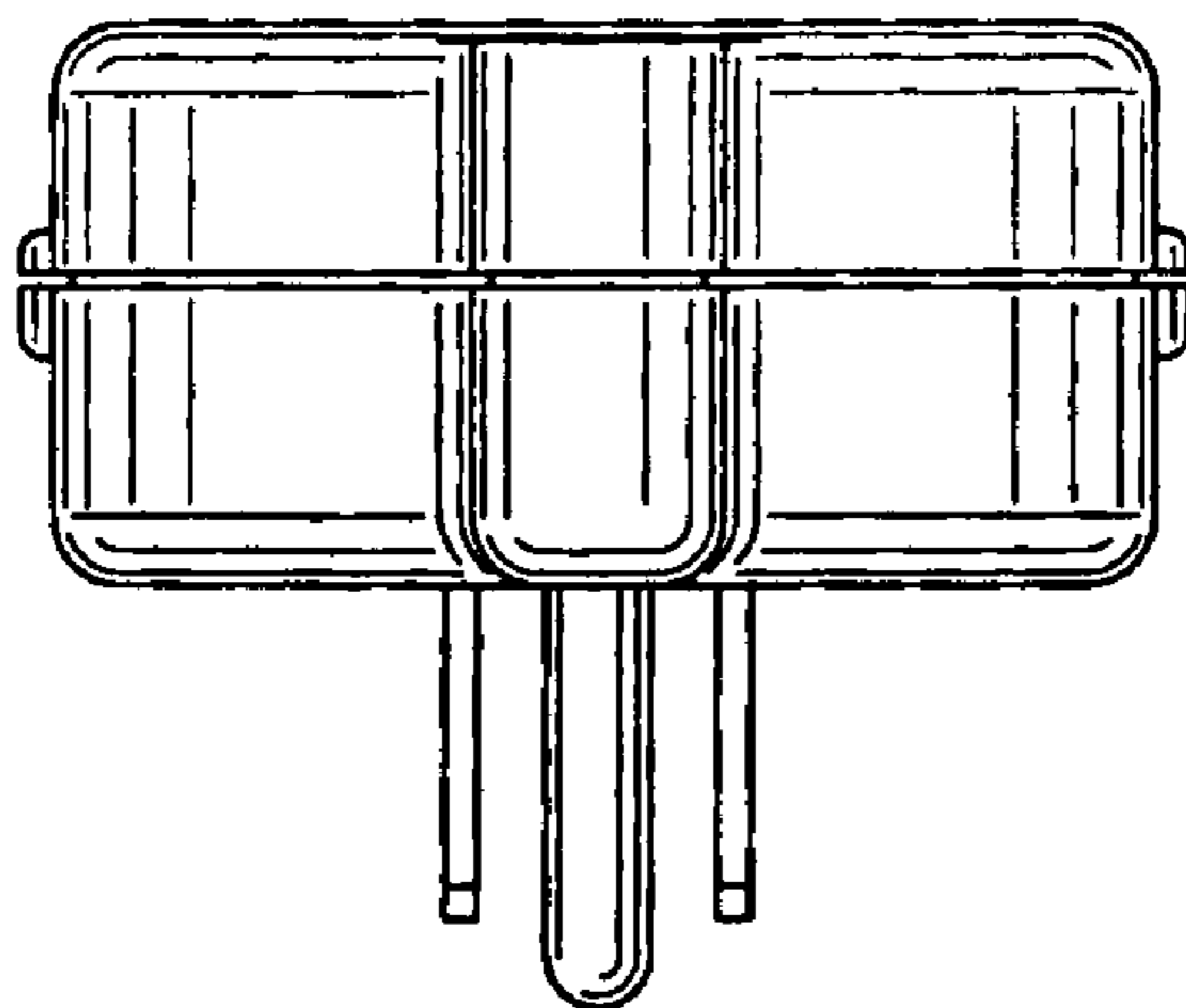


FIG. 16