



US00D609640S

(12) **United States Design Patent**
Huang et al.

(10) **Patent No.:** **US D609,640 S**

(45) **Date of Patent:** **** Feb. 9, 2010**

(54) **BATTERY CONNECTOR**

(75) Inventors: **Sheng Yuan Huang**, Tu-Cheng (TW);
Chung Yu Chen, Tu-Cheng (TW)

(73) Assignee: **Cheng Uei Precision Industry**, Taipei
Hsien (TW)

(**) Term: **14 Years**

(21) Appl. No.: **29/311,718**

(22) Filed: **Jun. 4, 2009**

(51) **LOC (9) Cl.** **13-03**

(52) **U.S. Cl.** **D13/120**

(58) **Field of Classification Search** D13/118–121,
D13/133, 146–147, 184, 199; 439/83, 108,
439/166, 500, 577, 630, 660, 680, 700, 773.1,
439/862

See application file for complete search history.

(56) **References Cited**

U.S. PATENT DOCUMENTS

6,361,359	B1 *	3/2002	Du et al.	439/500
D486,448	S *	2/2004	Watanabe et al.	D13/120
D557,212	S *	12/2007	Huang et al.	D13/120
D558,671	S *	1/2008	Chen	D13/120
D559,180	S *	1/2008	Lai et al.	D13/120
D559,181	S *	1/2008	Yan	D13/120

D561,098	S *	2/2008	Kobayashi	D13/120
D561,100	S *	2/2008	Hsu et al.	D13/120
D562,251	S *	2/2008	Ma et al.	D13/147
D563,322	S *	3/2008	Ma	D13/146
D571,724	S *	6/2008	Chen et al.	D13/120
D591,676	S *	5/2009	Hung	D13/120
D593,490	S *	6/2009	Hung	D13/120

* cited by examiner

Primary Examiner—Rosemary K Tarcza

(74) *Attorney, Agent, or Firm*—Rosenberg, Klein & Lee

(57) **CLAIM**

The ornamental design for a battery connector, as shown and described.

DESCRIPTION

FIG. 1 is a perspective view of a battery connector showing our new design;

FIG. 2 is a front elevational view thereof;

FIG. 3 is a rear elevational view thereof;

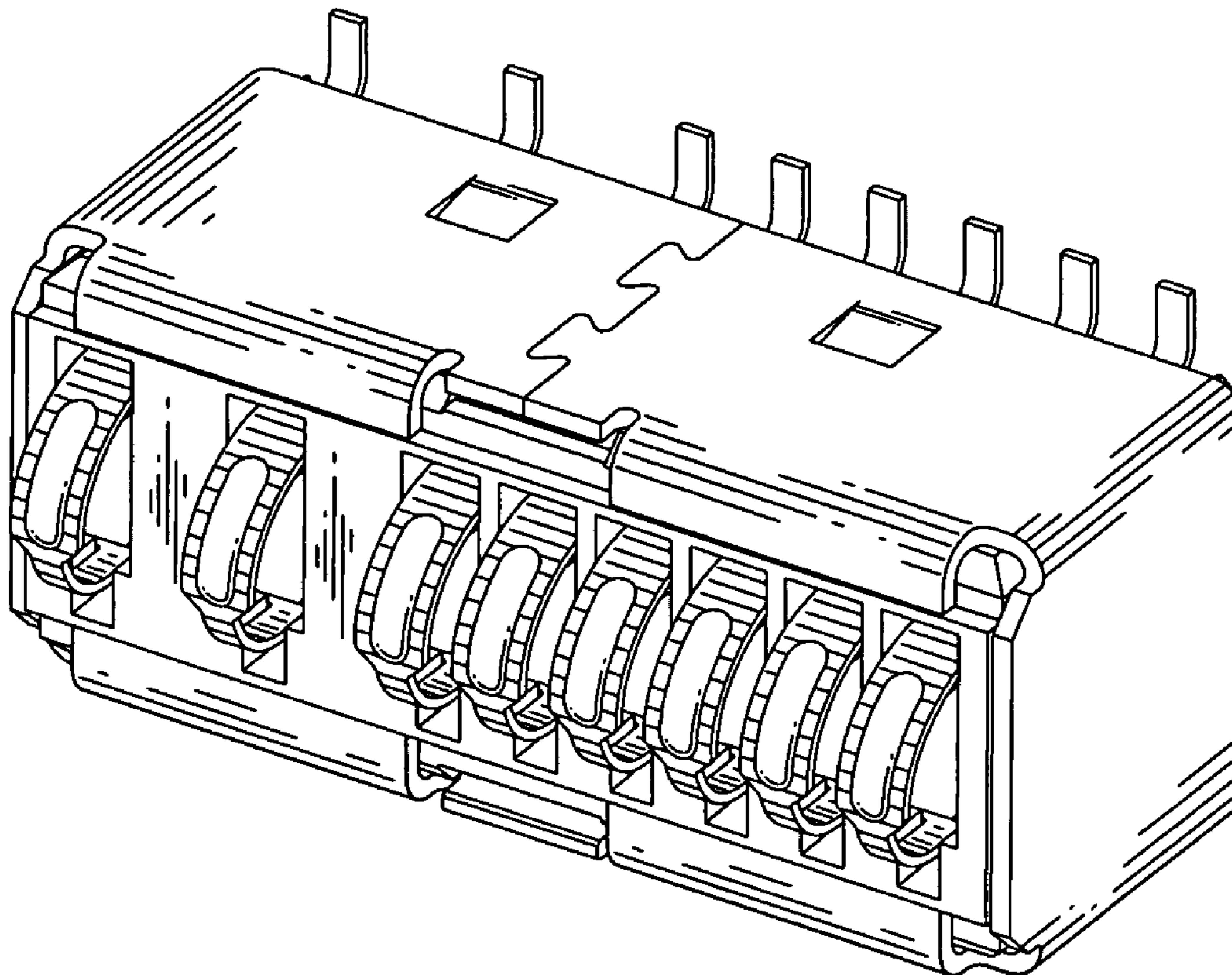
FIG. 4 is a left side elevational view thereof;

FIG. 5 is a right side elevational view thereof;

FIG. 6 is a top plan view thereof; and,

FIG. 7 is a bottom plan view thereof.

1 Claim, 7 Drawing Sheets



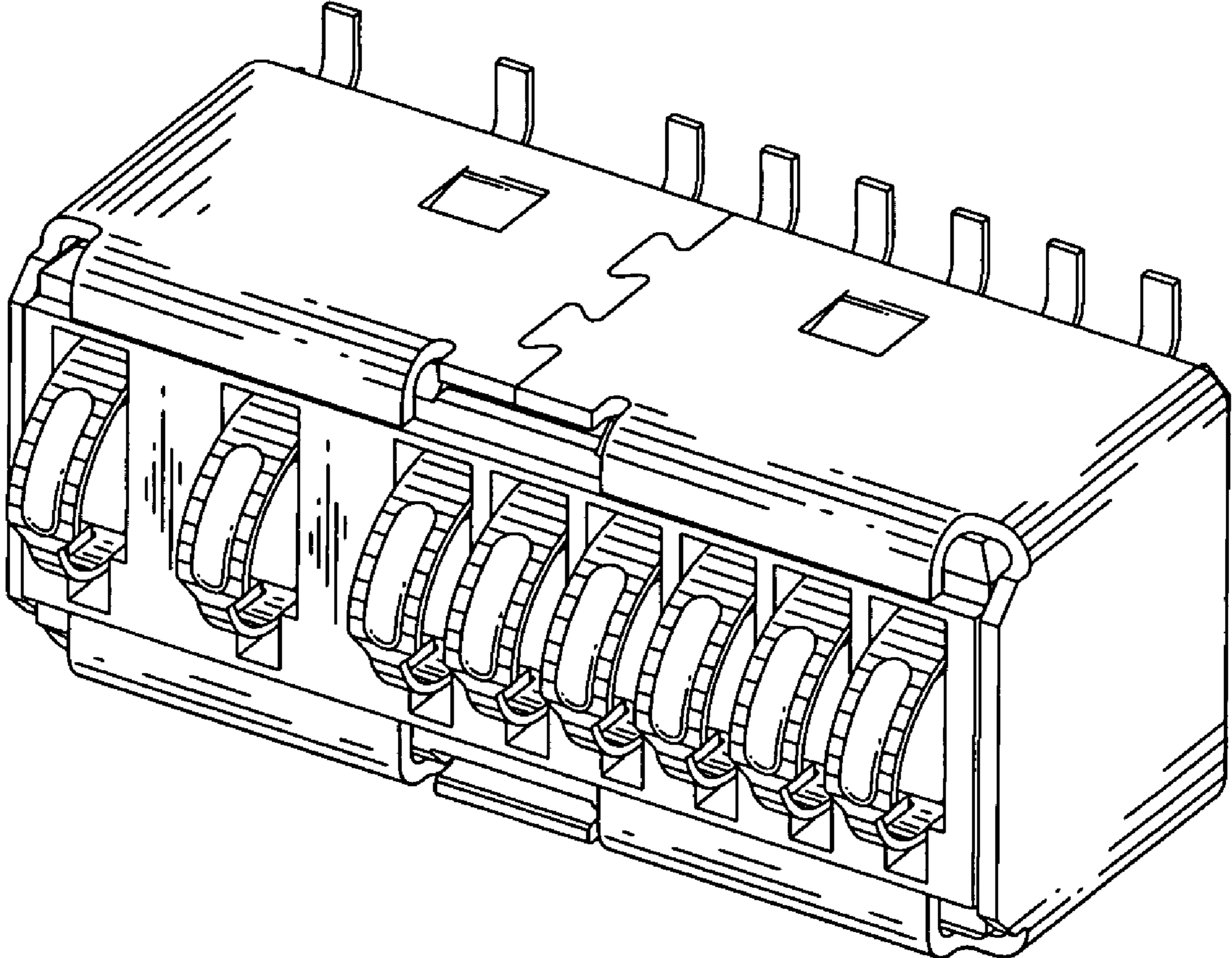


FIG. 1

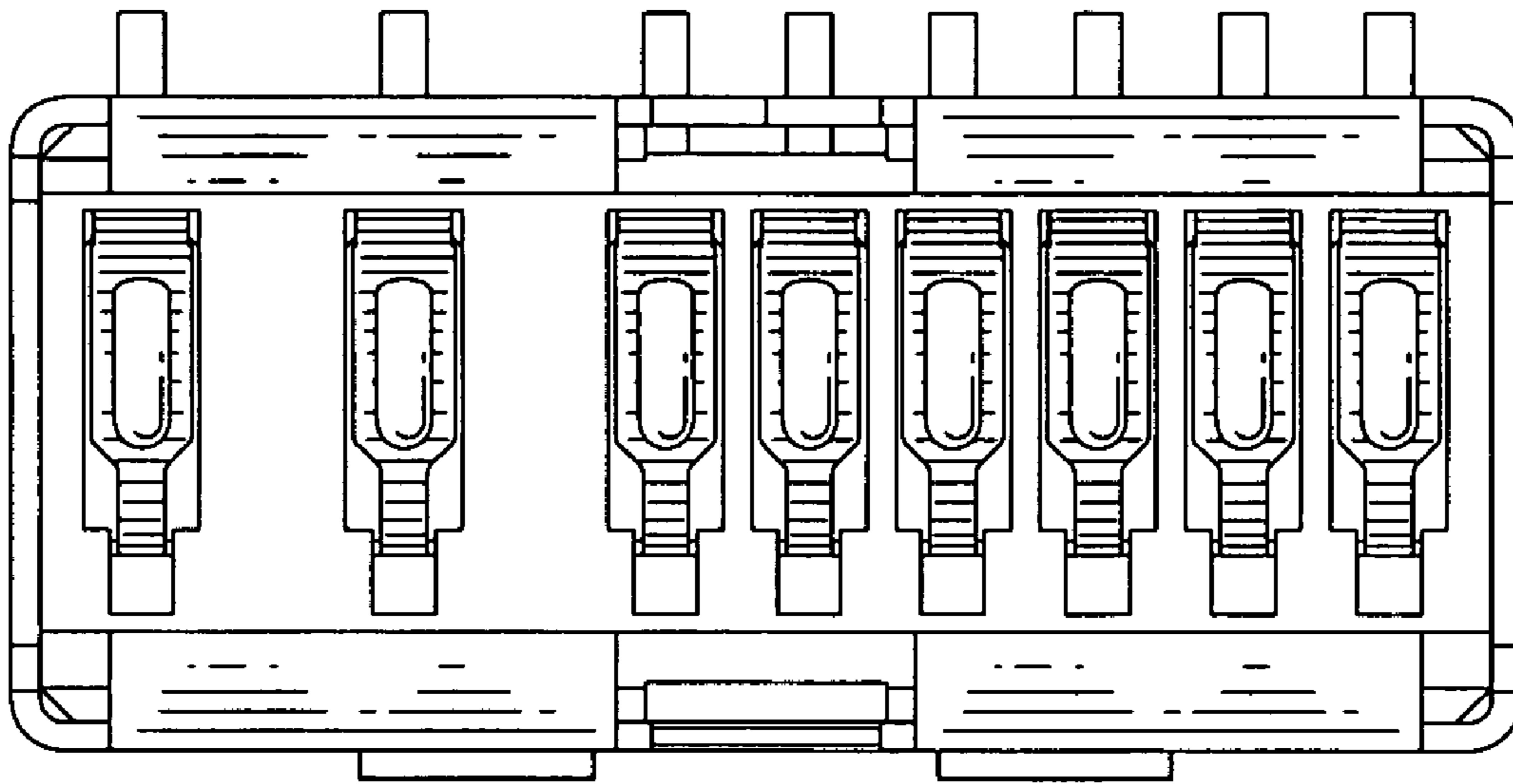


FIG. 2

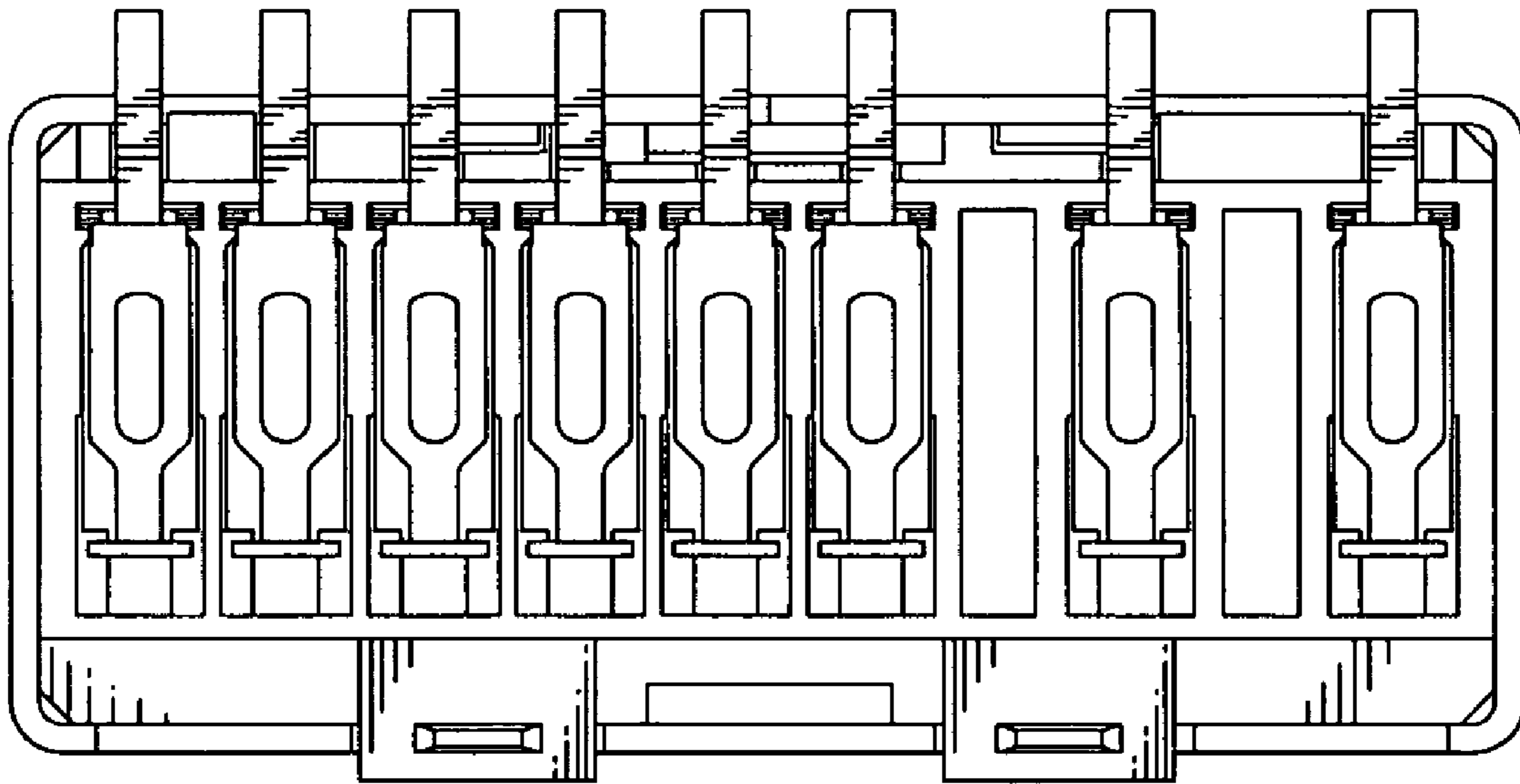


FIG. 3

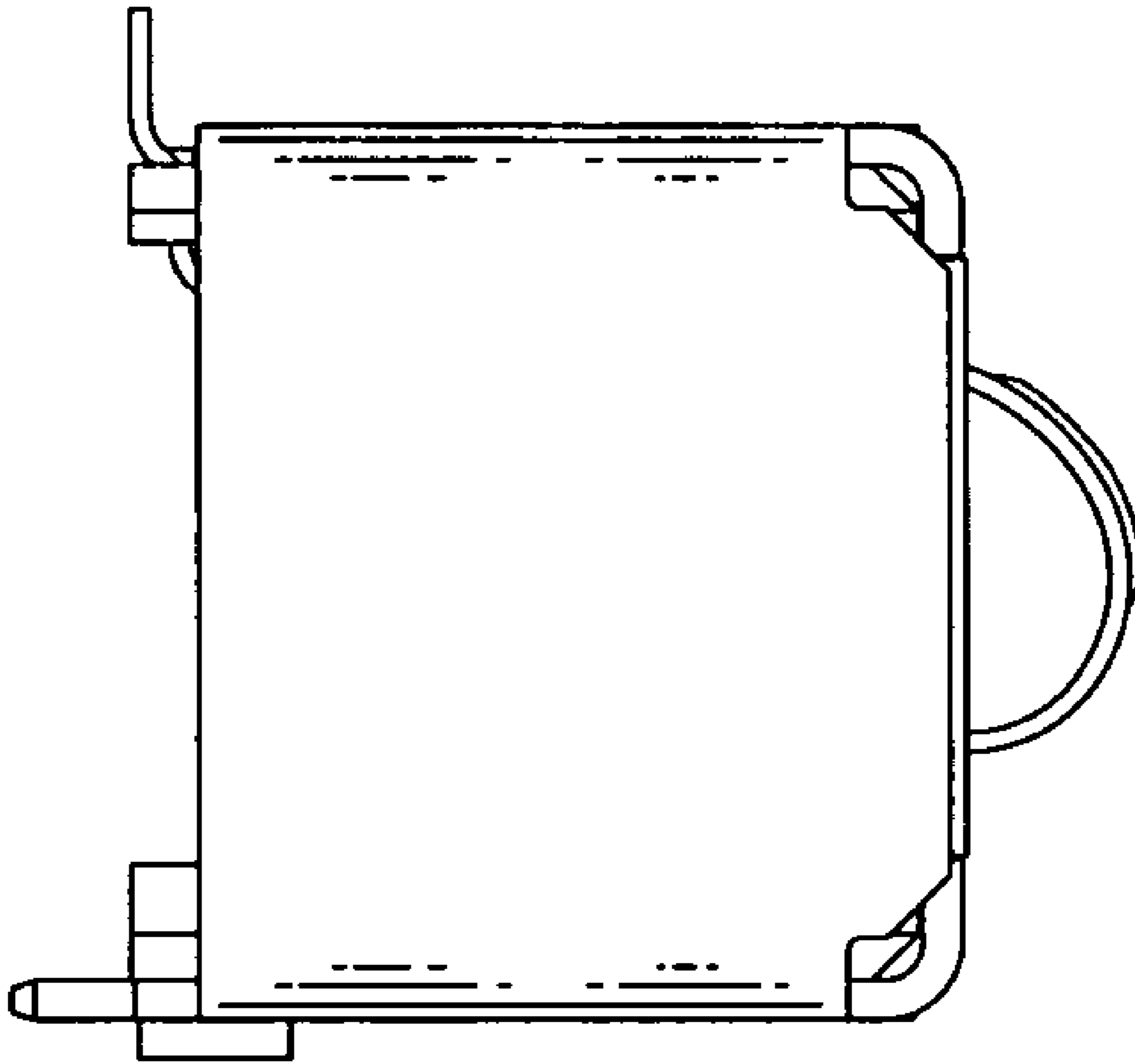


FIG. 4

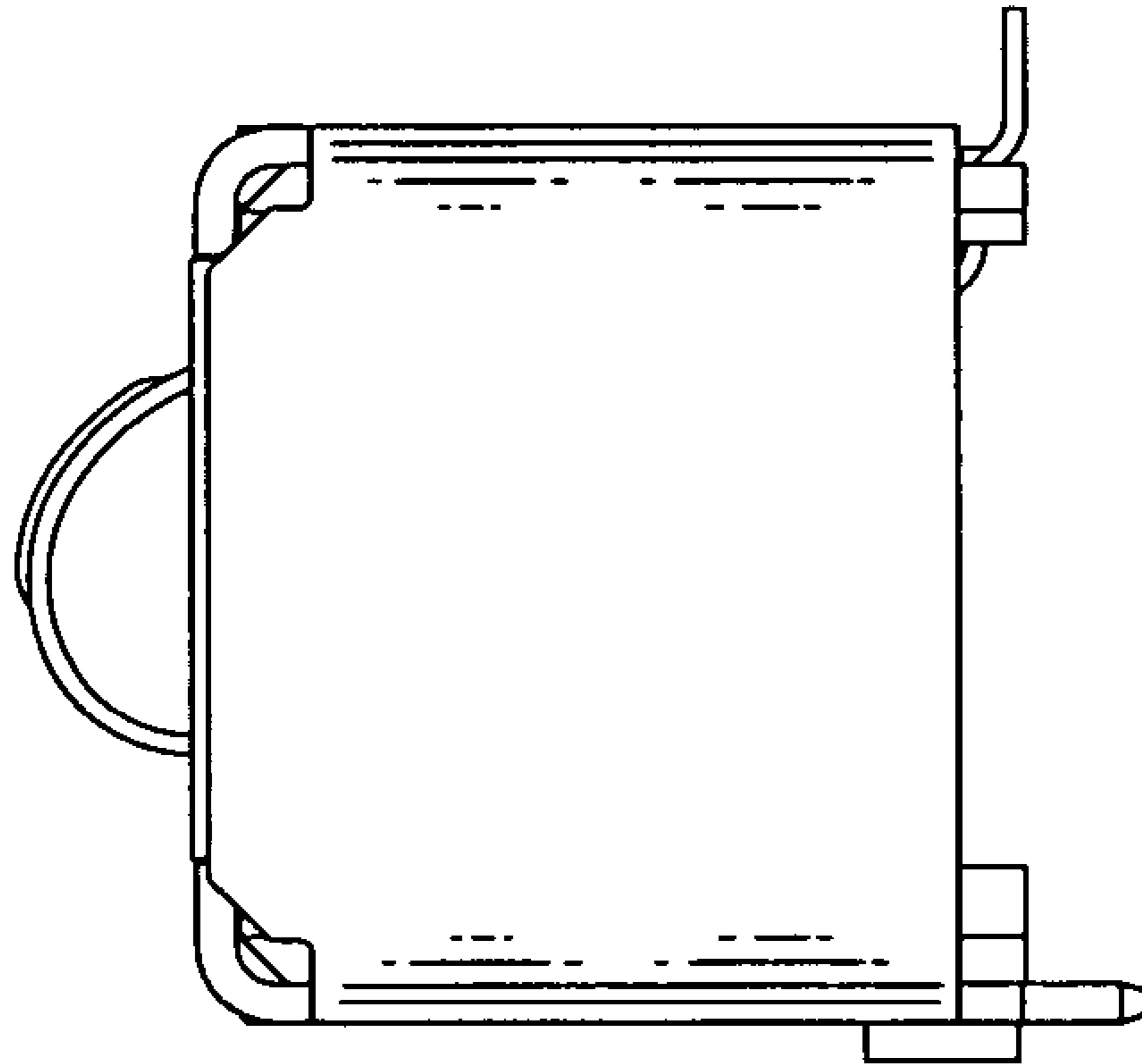


FIG. 5

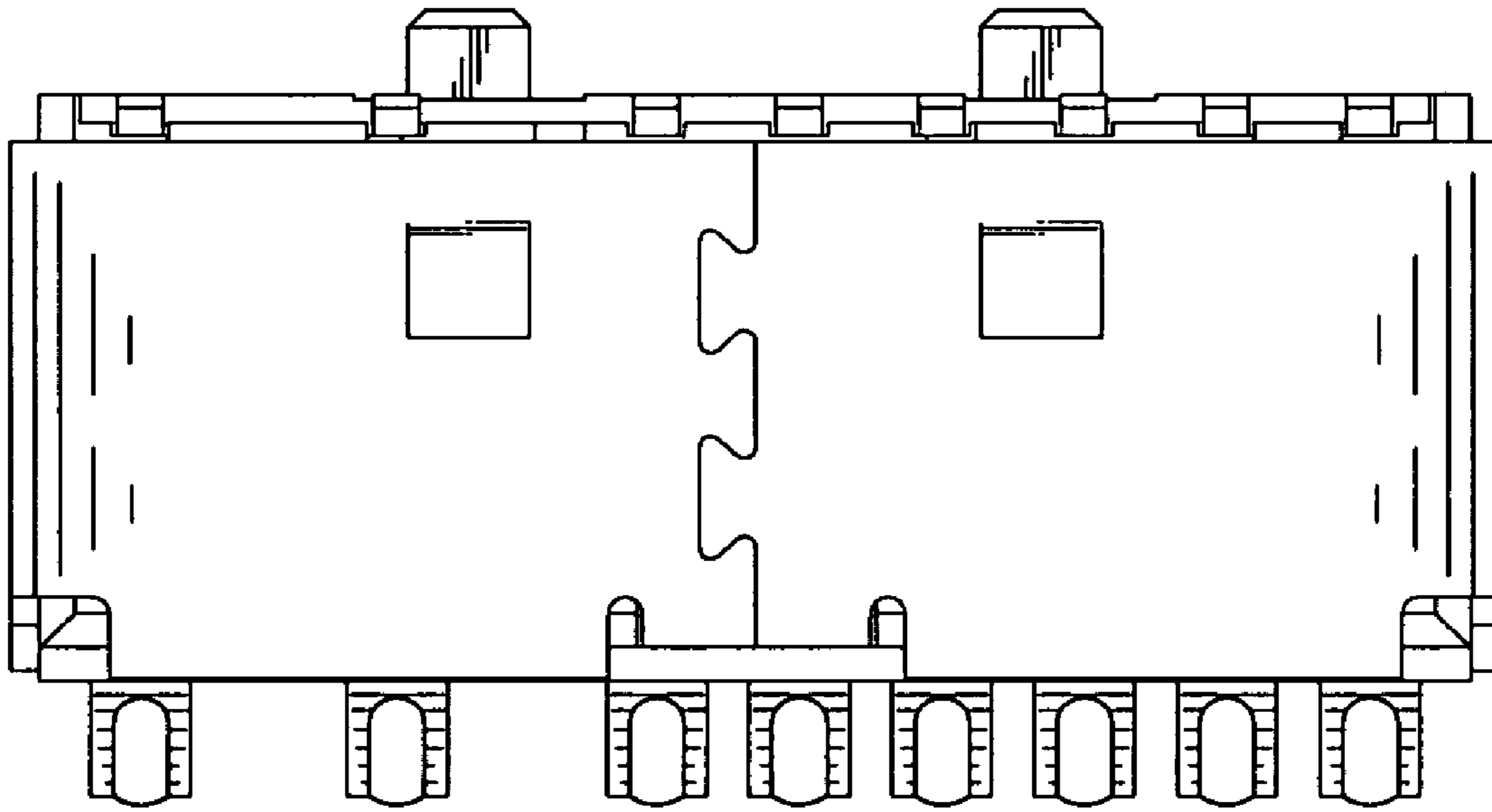


FIG. 6

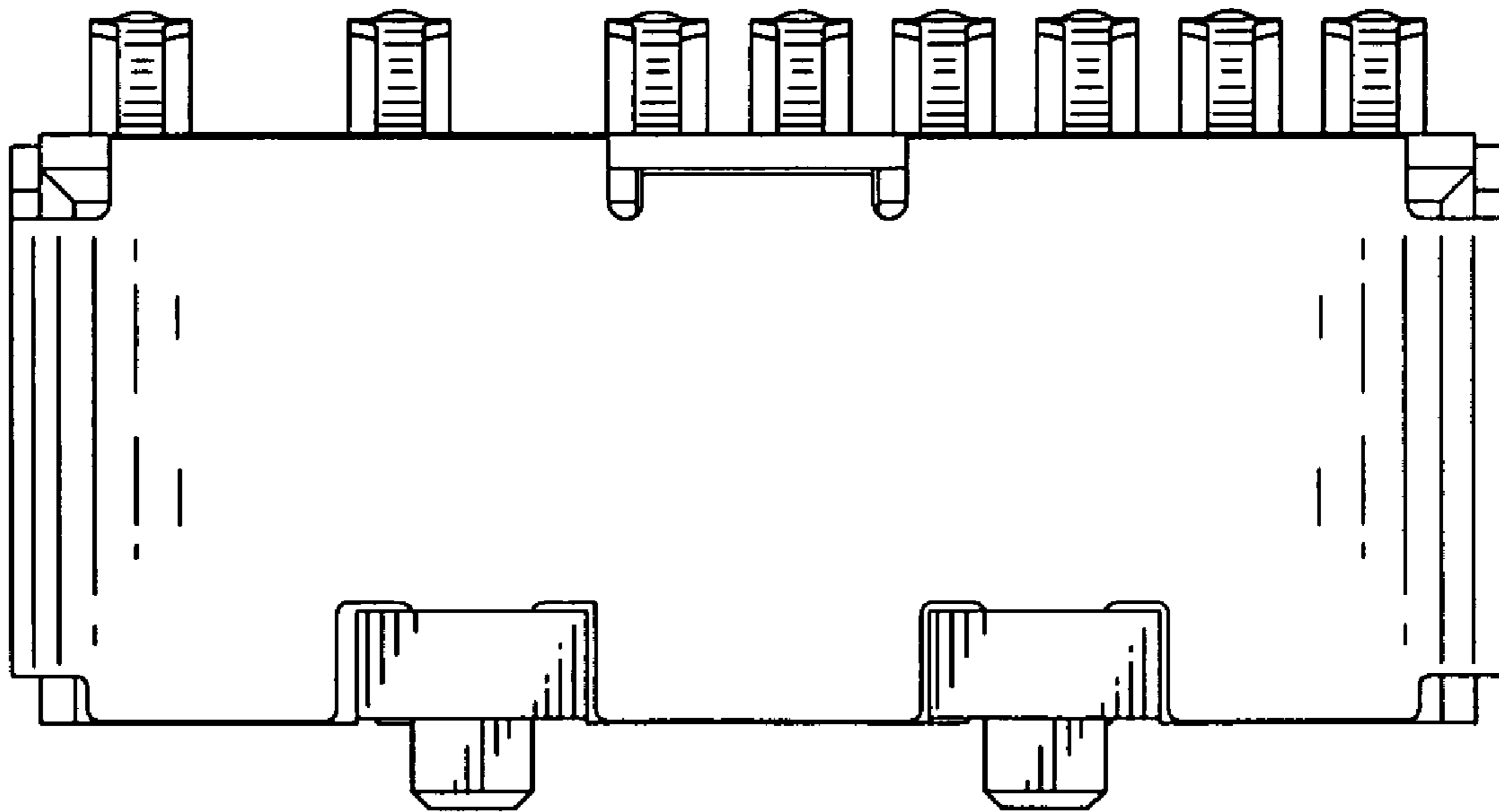


FIG. 7