



US00D609639S

(12) **United States Design Patent**
Kawahara et al.

(10) **Patent No.:** **US D609,639 S**
(45) **Date of Patent:** **** Feb. 9, 2010**

(54) **AC-DC CONVERTER**

(75) Inventors: **Nobuaki Kawahara, Yao (JP); Hiroyuki Kaibara, Yao (JP)**

(73) Assignee: **Hosiden Corporation, Osaka (JP)**

(**) Term: **14 Years**

(21) Appl. No.: **29/340,618**

(22) Filed: **Jul. 22, 2009**

Related U.S. Application Data

(62) Division of application No. 29/332,682, filed on Feb. 23, 2009, now Pat. No. Des. 601,501.

(51) **LOC (9) Cl.** **13-02**

(52) **U.S. Cl.** **D13/110**

(58) **Field of Classification Search** D13/110,
D13/101, 107, 123, 133, 138.1, 199; 307/150,
307/151; 320/111, 114; 363/15, 34, 146;
439/131, 172, 173, 668, 669

See application file for complete search history.

(56) **References Cited**

U.S. PATENT DOCUMENTS

D308,962 S	7/1990	Duk	
D350,113 S	8/1994	Nagele	
5,744,934 A *	4/1998	Wu	320/111
D407,066 S *	3/1999	Renk	D13/110
D409,138 S	5/1999	Gammenthaler	

6,042,400 A	3/2000	Queffelec et al.	
6,086,395 A	7/2000	Lloyd et al.	
D454,537 S	3/2002	O'Connor et al.	
D478,546 S *	8/2003	Andre et al.	D13/110
D483,721 S	12/2003	Kim et al.	
D491,142 S *	6/2004	Stekelenburg	D13/138.1
6,793,509 B2 *	9/2004	Chen	439/136
D548,187 S	8/2007	Holland	

* cited by examiner

Primary Examiner—Prabhakar Deshmukh

Assistant Examiner—Derrick Holland

(74) *Attorney, Agent, or Firm*—Rankin, Hill & Clark LLP

(57) **CLAIM**

The ornamental design for an AC-DC converter, as shown and described.

DESCRIPTION

FIG. 1 is a front, left side and top perspective view of an AC-DC converter showing our new design;

FIG. 2 is a front, left side and bottom perspective view thereof;

FIG. 3 is a front elevation view thereof, the rear elevation view being a mirror image;

FIG. 4 is a left side view thereof, the right side view being a mirror image;

FIG. 5 is a top plan view thereof; and,

FIG. 6 is a bottom plan view thereof.

1 Claim, 3 Drawing Sheets

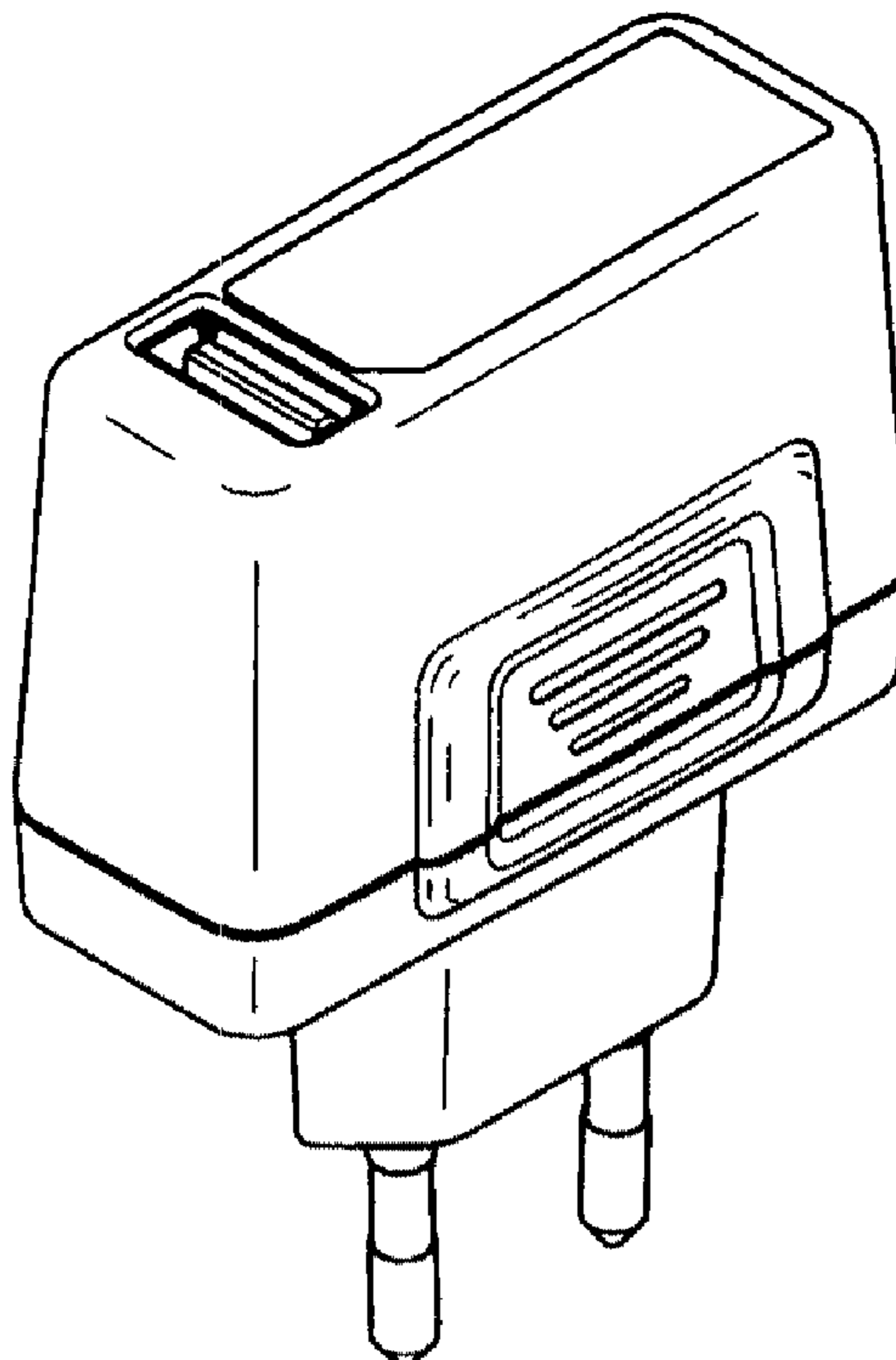


Fig. 1

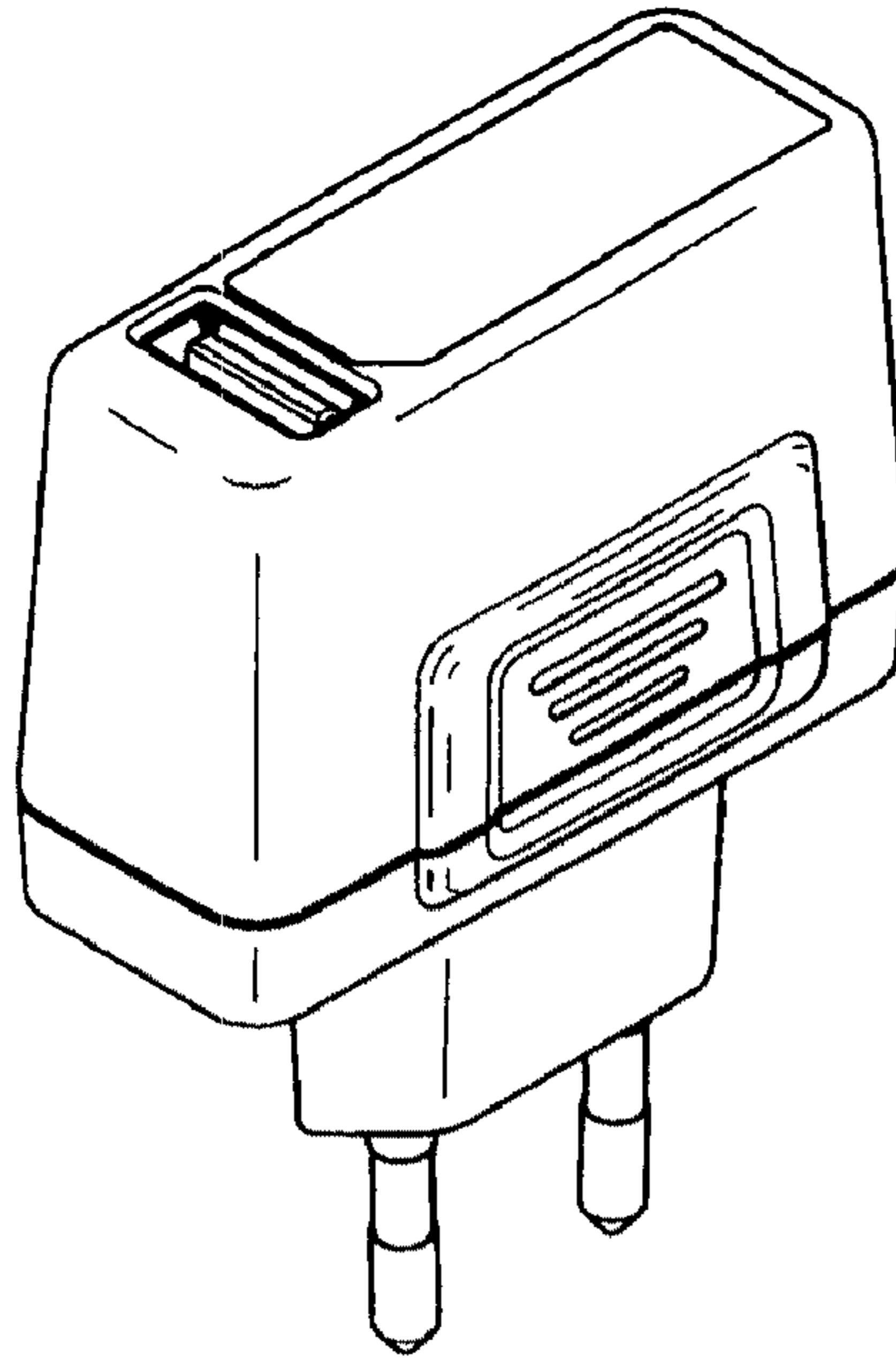


Fig. 2

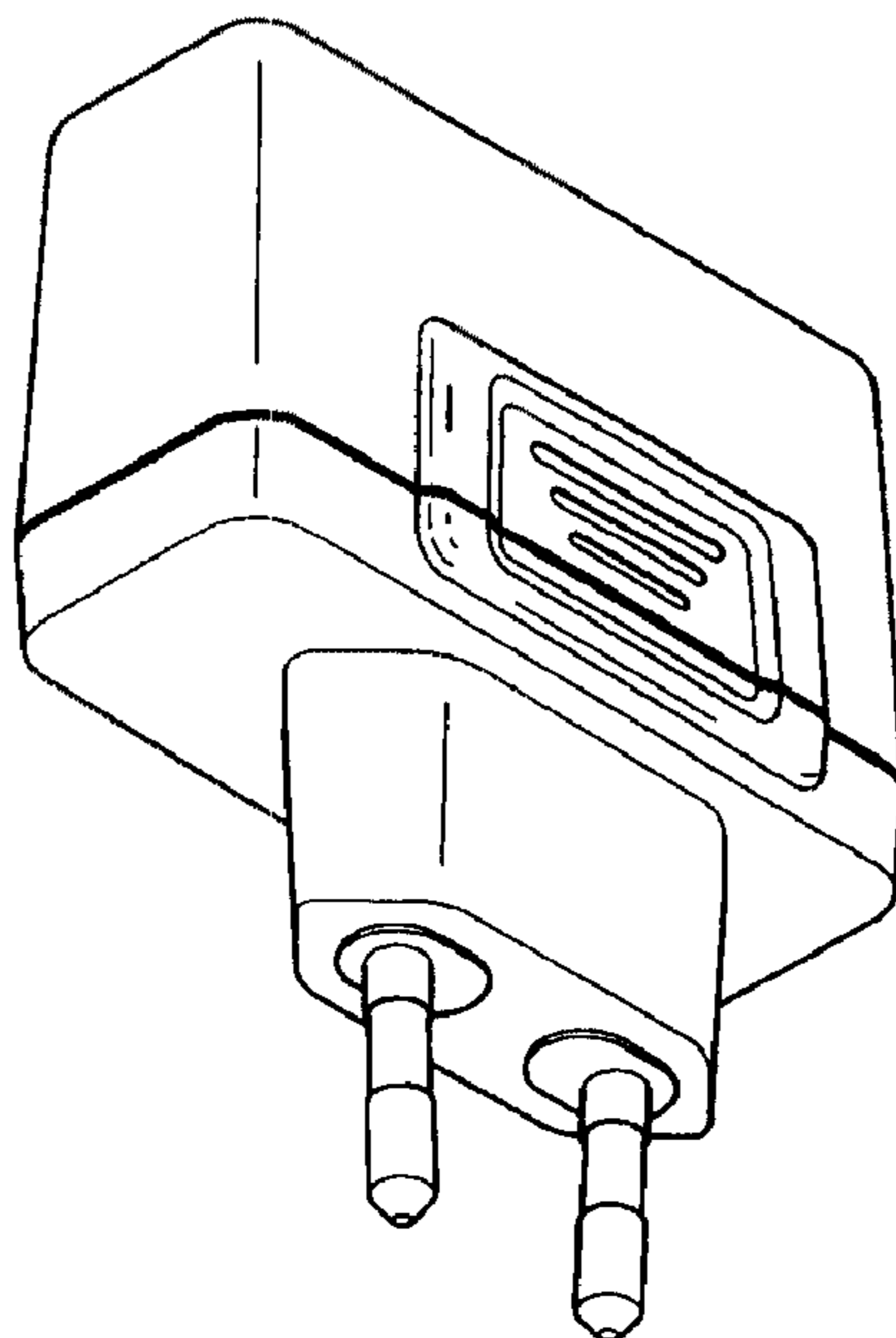


Fig. 3

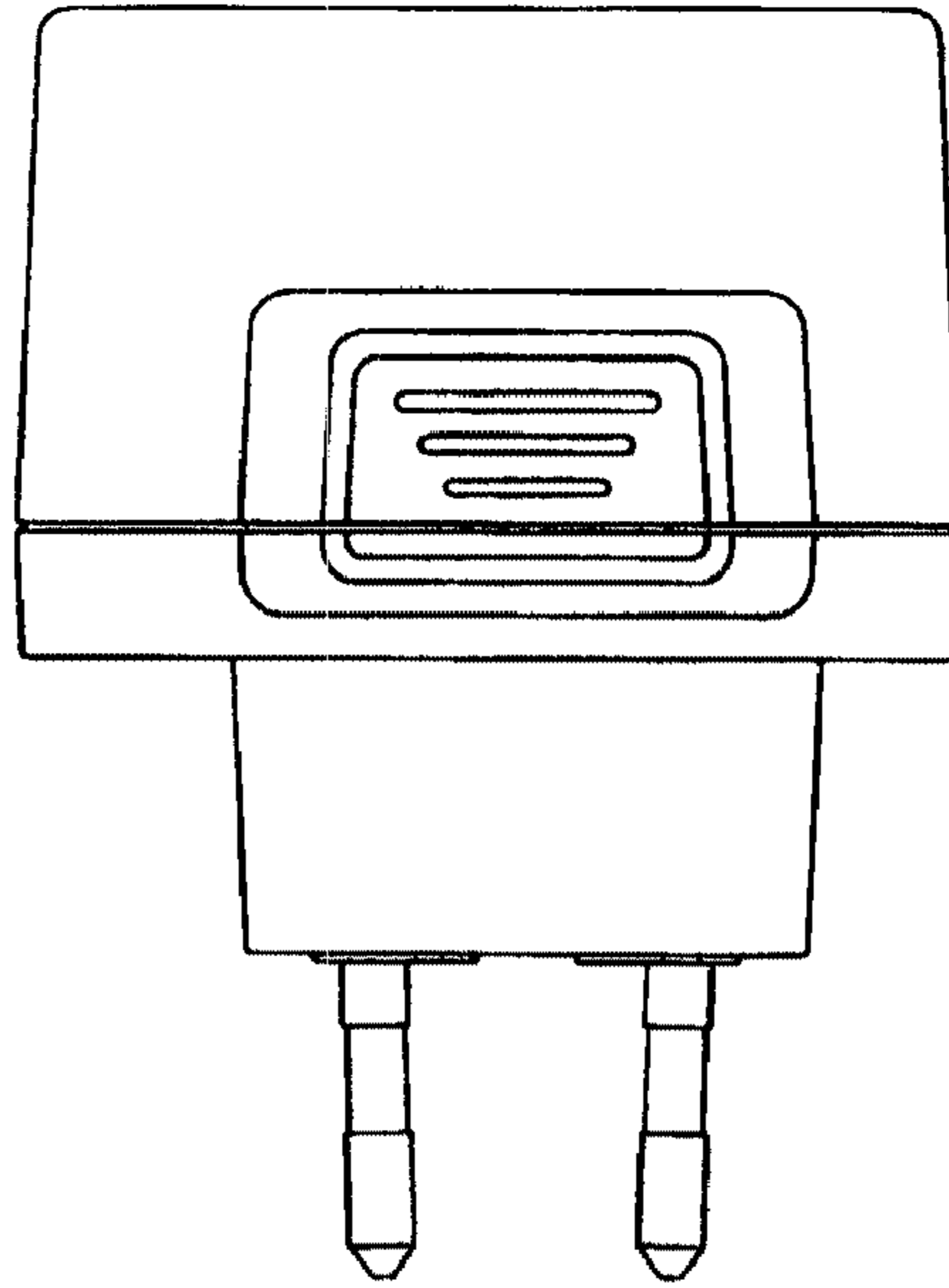


Fig. 4

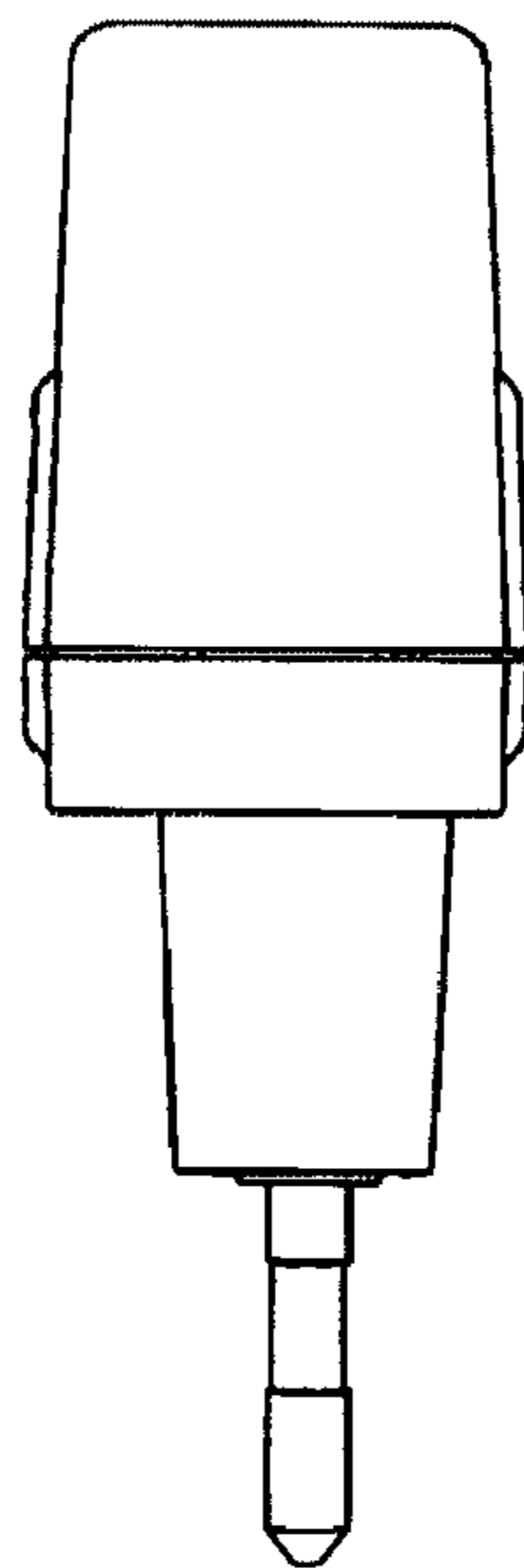


Fig. 5

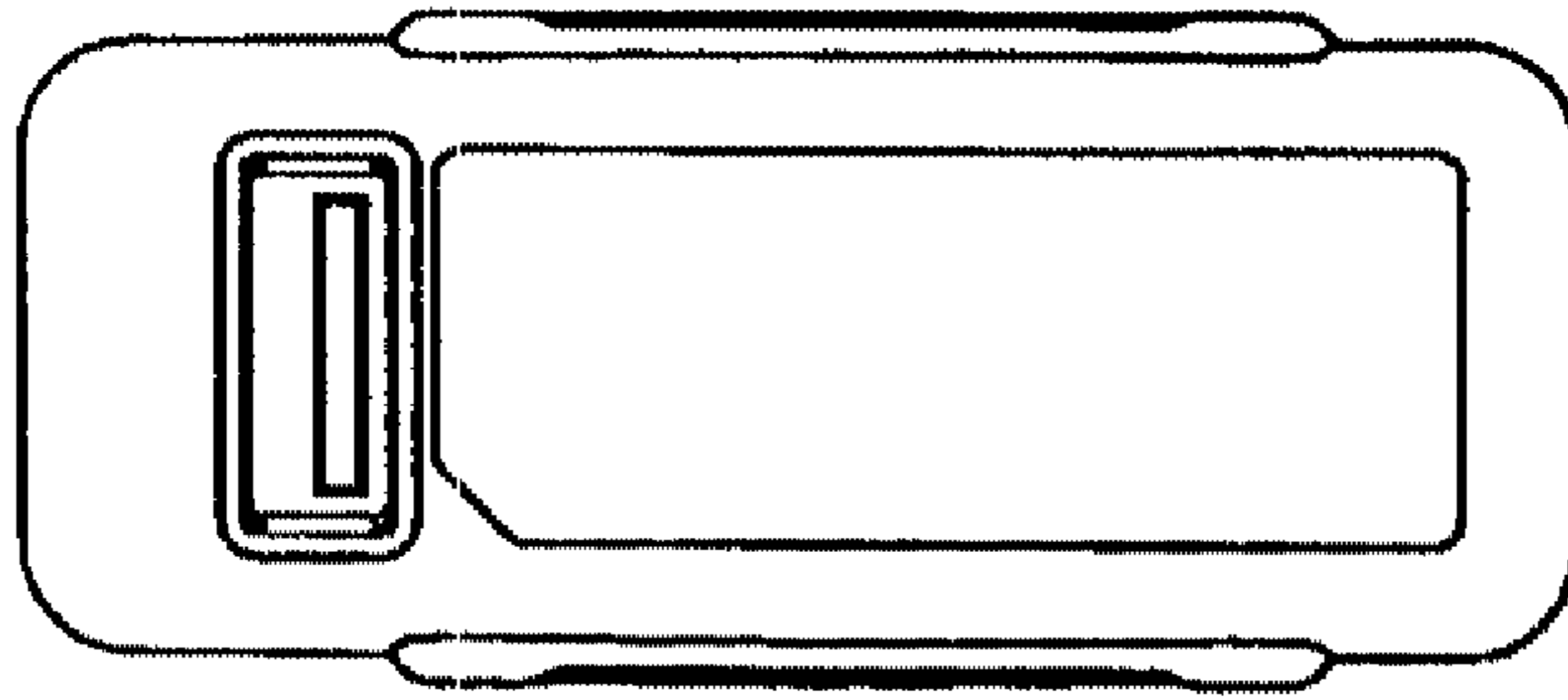


Fig. 6

