



US00D609632S

(12) **United States Design Patent**
Daniels et al.

(10) **Patent No.:** **US D609,632 S**

(45) **Date of Patent:** **** Feb. 9, 2010**

(54) **JUMP STARTER**

(75) Inventors: **David Daniels**, Palatine, IL (US); **Alan William Olsberg**, Schaumburg, IL (US)

(73) Assignee: **Old World Industries, Inc.**, Northbrook, IL (US)

(**) Term: **14 Years**

(21) Appl. No.: **29/341,287**

(22) Filed: **Aug. 3, 2009**

(51) **LOC (9) Cl.** **13-02**

(52) **U.S. Cl.** **D13/107**

(58) **Field of Classification Search** D13/102–103, D13/107–110, 118–119, 133, 144, 184; 320/103–105, 320/107–115, 410.1, 359, 415–416, 234, 320/321, 265, 405; D15/7–9; D23/231, D23/232

See application file for complete search history.

(56) **References Cited**

U.S. PATENT DOCUMENTS

D334,560 S *	4/1993	Wilson	D13/106
D466,077 S *	11/2002	Wang	D13/110
D484,852 S *	1/2004	James et al.	D13/107
D493,137 S *	7/2004	Casarella	D13/107
D503,377 S *	3/2005	Krieger et al.	D13/107
D503,378 S *	3/2005	Hussaini et al.	D13/107
D504,396 S *	4/2005	Hussaini et al.	D13/107
D504,661 S *	5/2005	Krieger et al.	D13/107
D504,870 S *	5/2005	Krieger et al.	D13/107
D518,435 S *	4/2006	Kurth	D13/107
D530,666 S *	10/2006	Krieger et al.	D13/107
D545,270 S *	6/2007	Dayan	D13/107

* cited by examiner

Primary Examiner—Rosemary K Tarca

(74) *Attorney, Agent, or Firm*—McAndrews, Held & Malloy, Ltd.

(57) **CLAIM**

The ornamental design for a jump starter, as shown and described.

DESCRIPTION

FIG. 1 is a front perspective view of a first embodiment of a jump starter showing our new design;

FIG. 2 is a front elevation view thereof;

FIG. 3 is a rear elevation view thereof;

FIG. 4 is a left side elevation view thereof;

FIG. 5 is a right side elevation view thereof;

FIG. 6 is a top plan view thereof;

FIG. 7 is a bottom plan view thereof;

FIG. 8 is a rear perspective view thereof;

FIG. 9 is a front perspective view of a second embodiment of a jump starter showing our new design;

FIG. 10 is a front elevation view thereof;

FIG. 11 is a rear elevation view thereof;

FIG. 12 is a left side elevation view thereof;

FIG. 13 is a right side elevation view thereof;

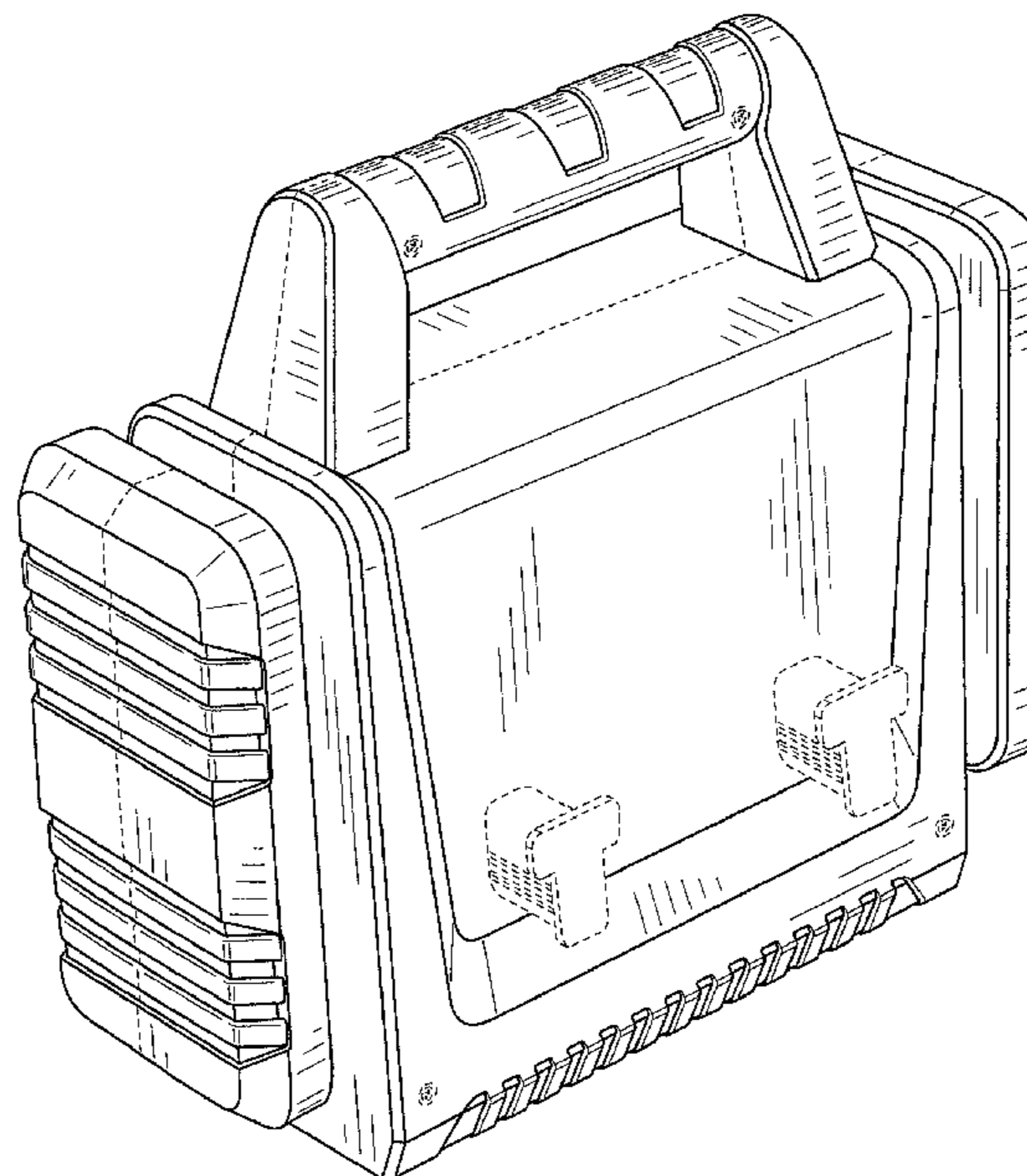
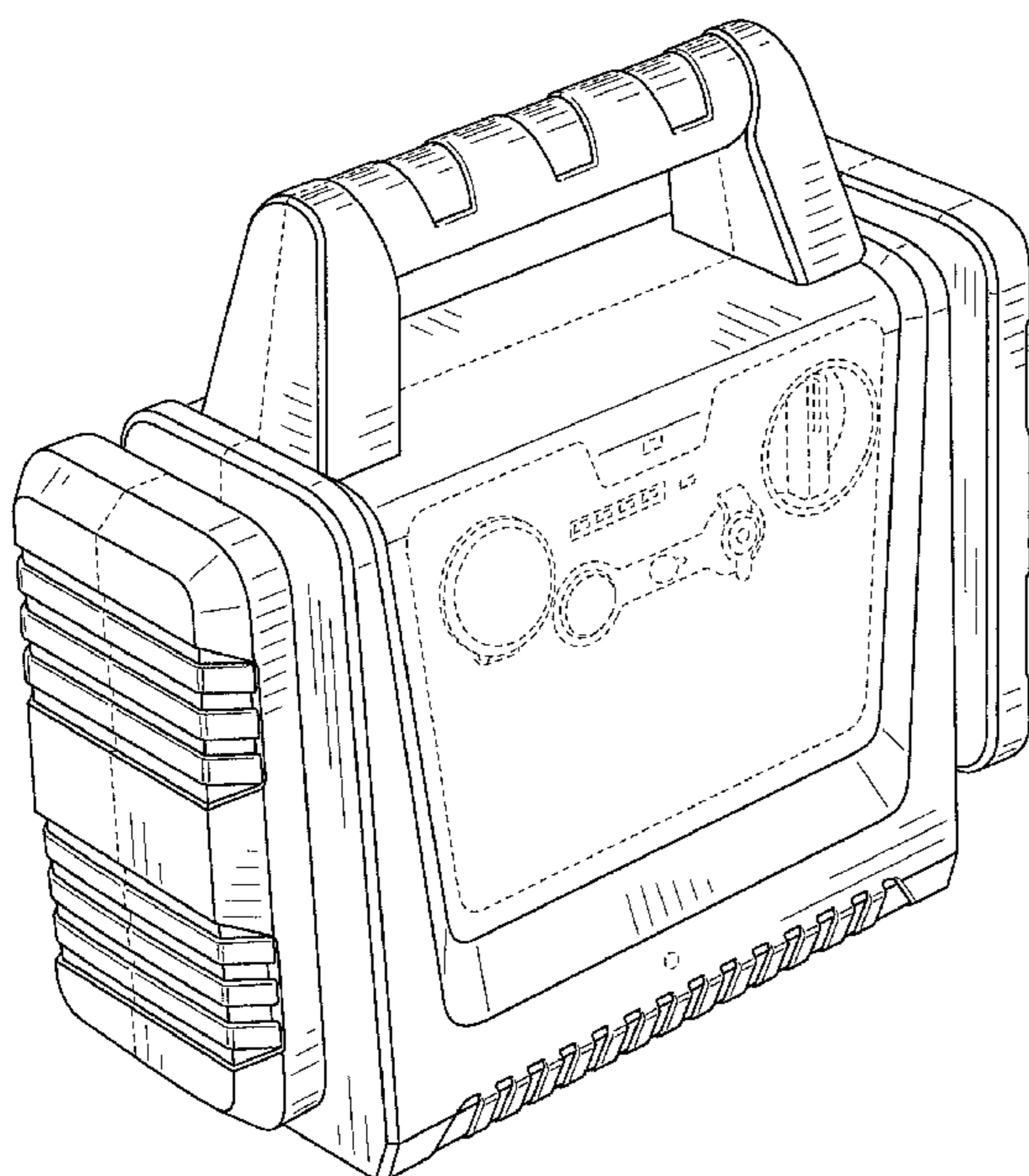
FIG. 14 is a top plan view thereof;

FIG. 15 is a bottom plan view thereof; and,

FIG. 16 is a rear perspective view thereof.

The broken lines in the drawings represent environmental subject matter and form no part of the claimed design.

1 Claim, 12 Drawing Sheets



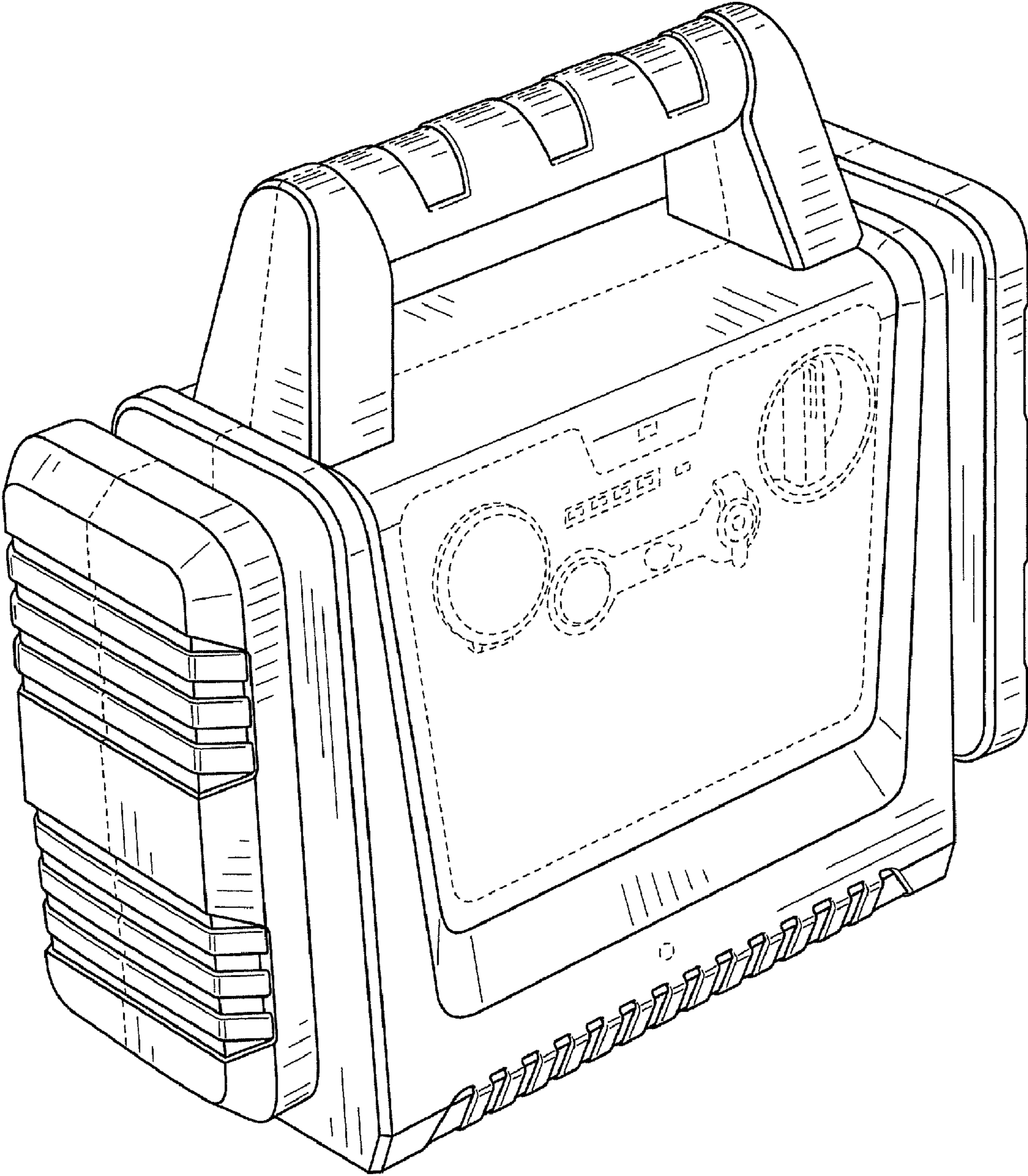


FIG. 1

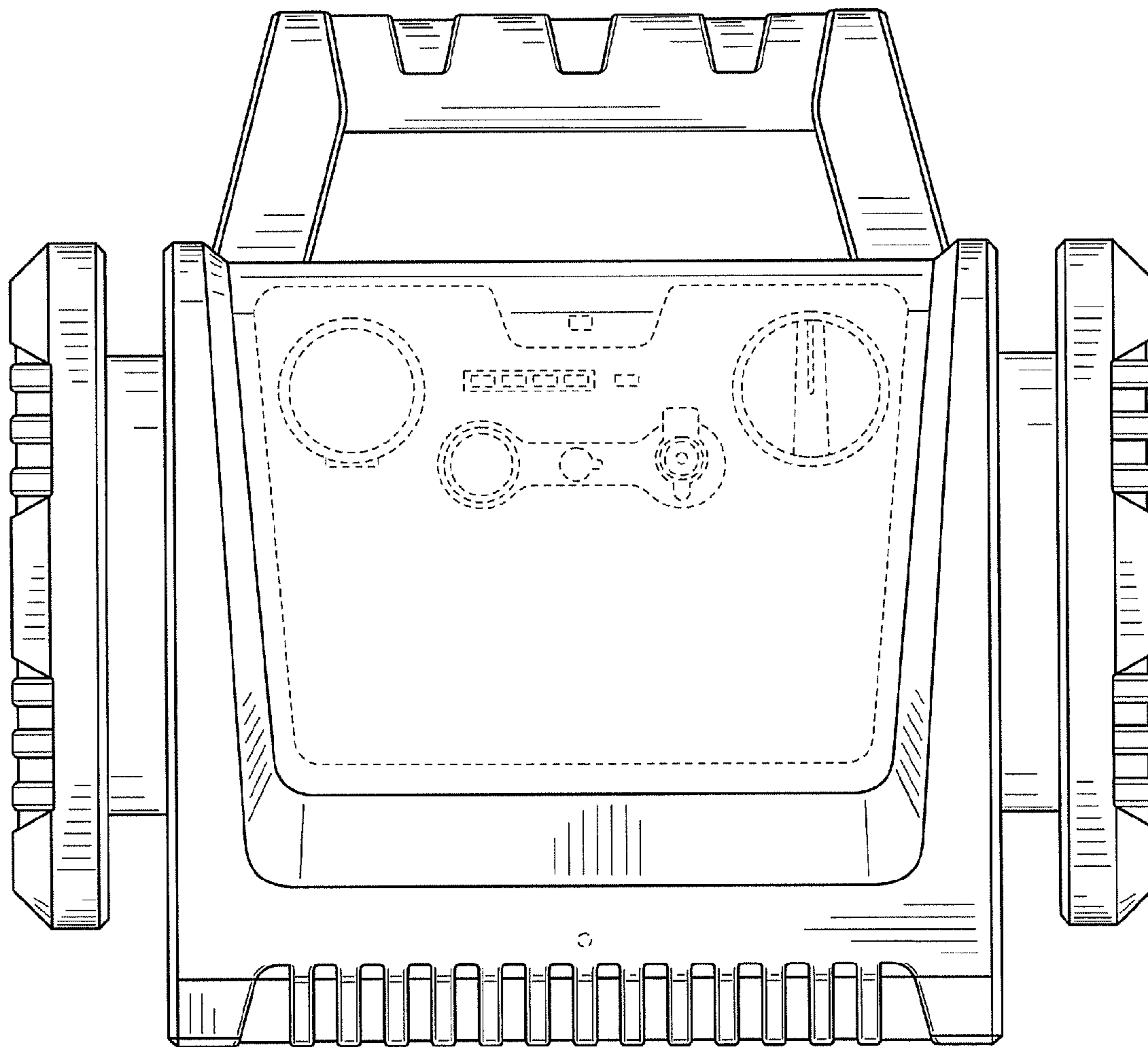


FIG. 2

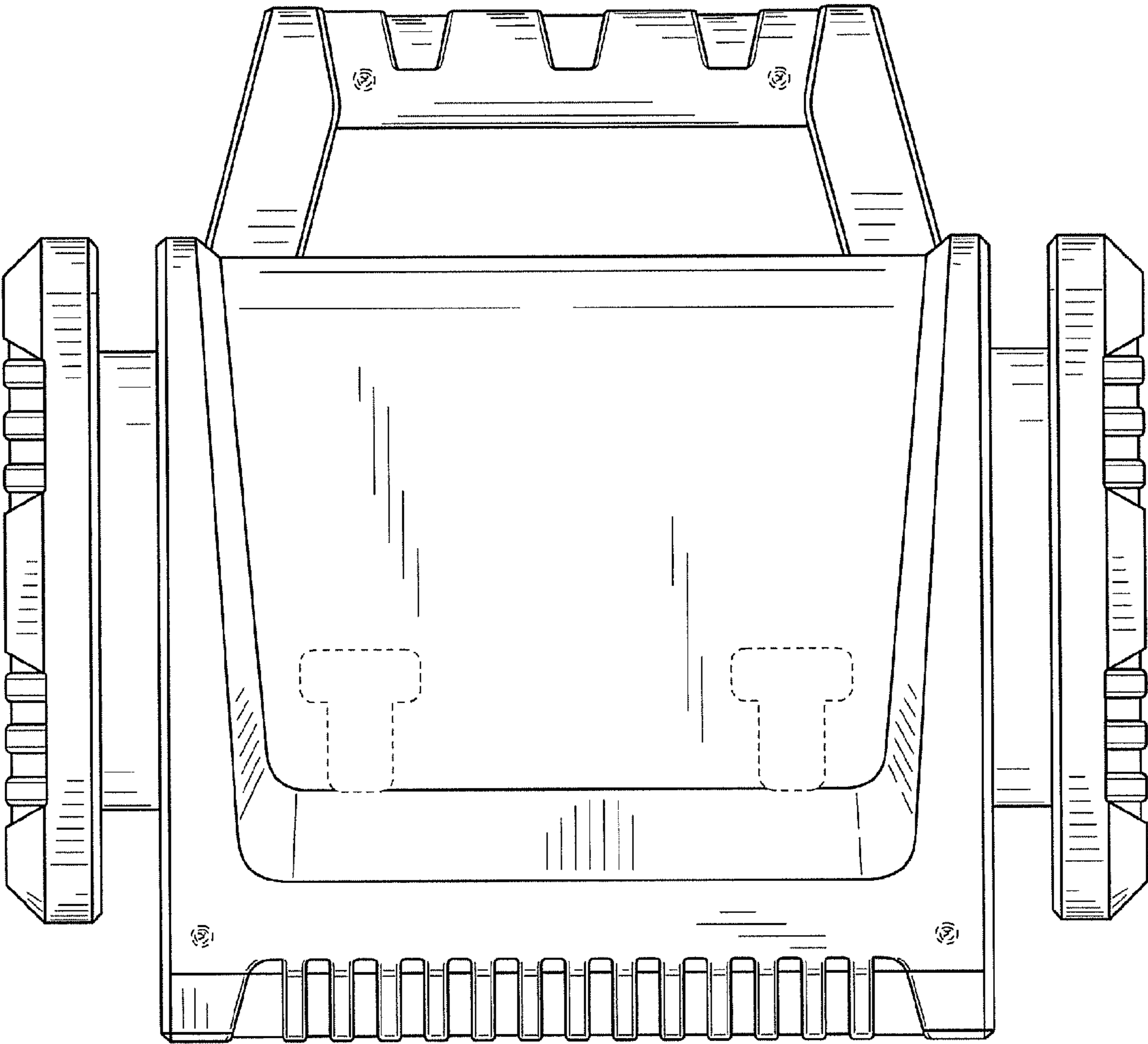


FIG. 3

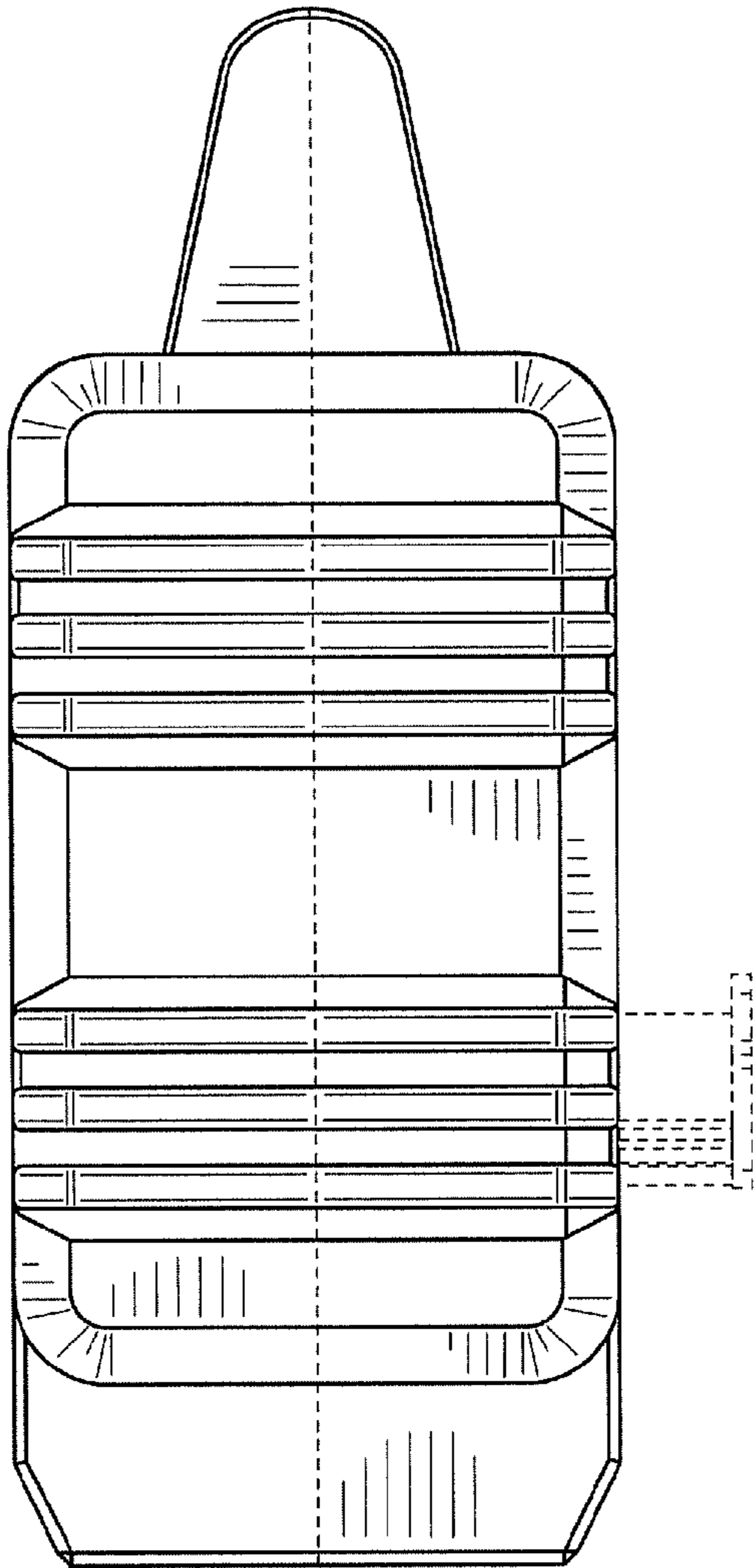


FIG. 4

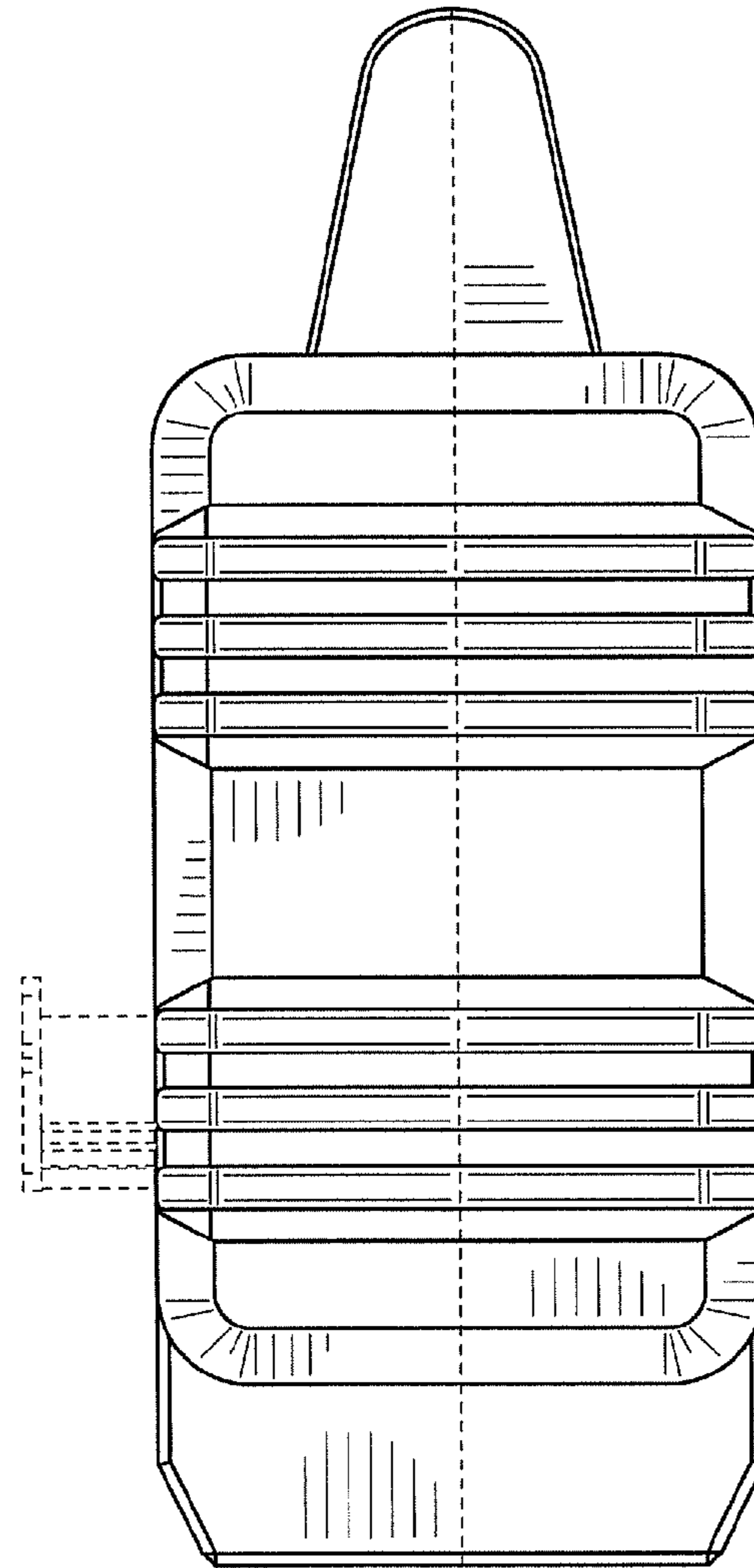


FIG. 5

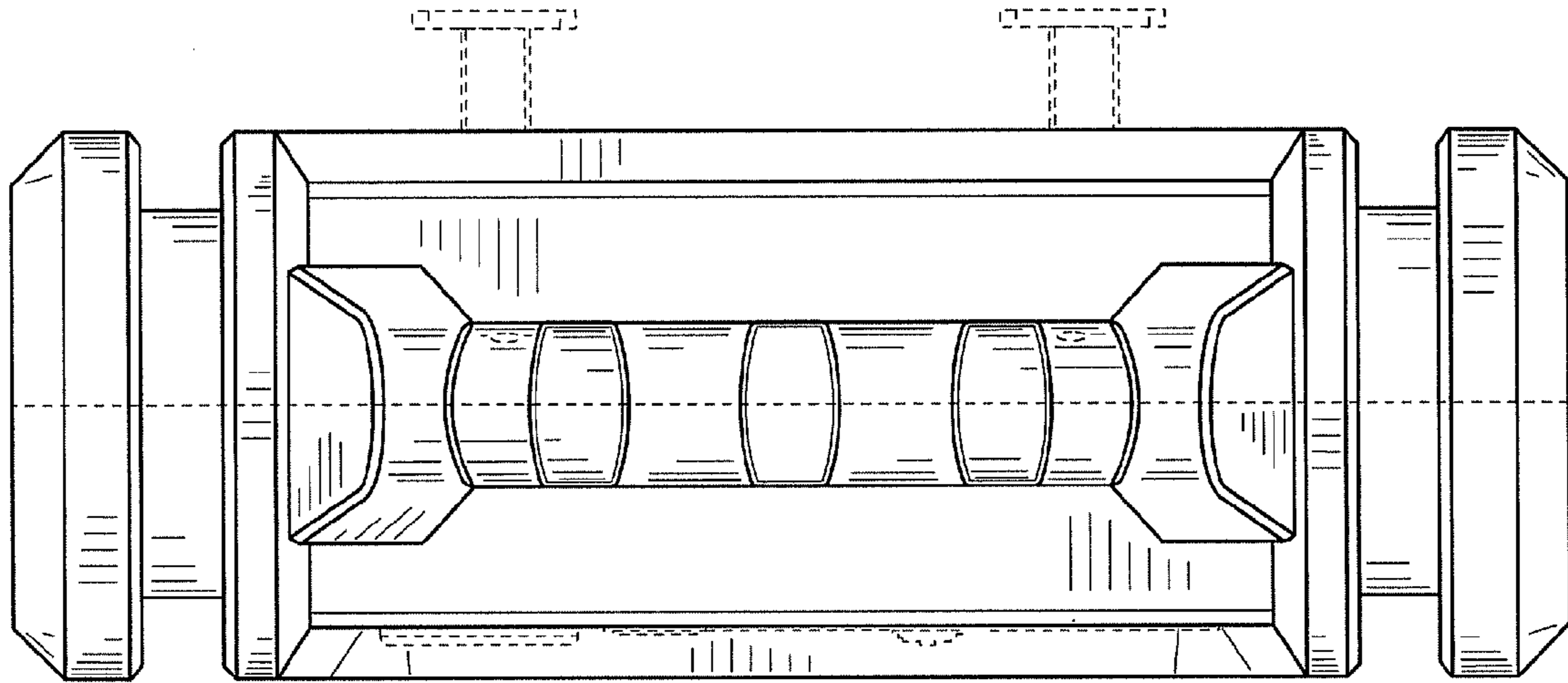


FIG. 6

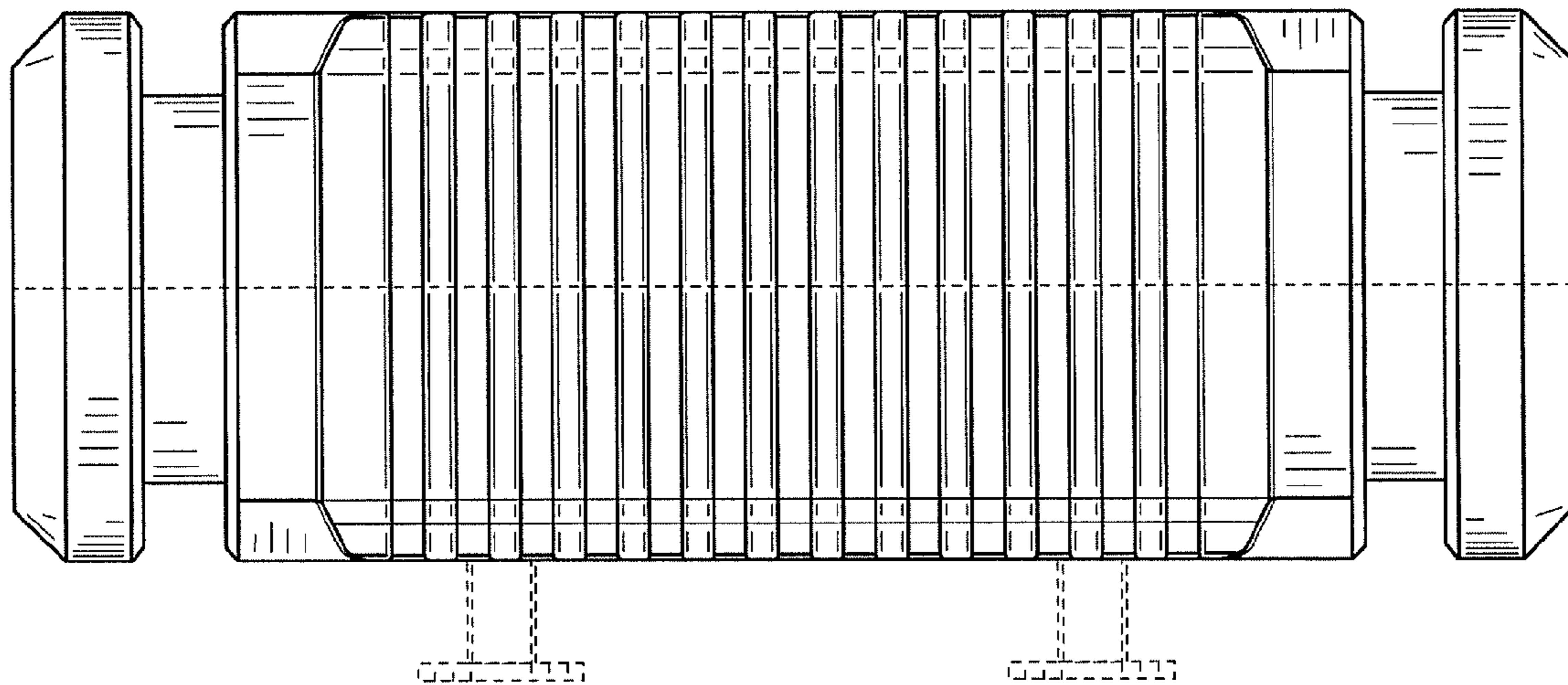


FIG. 7

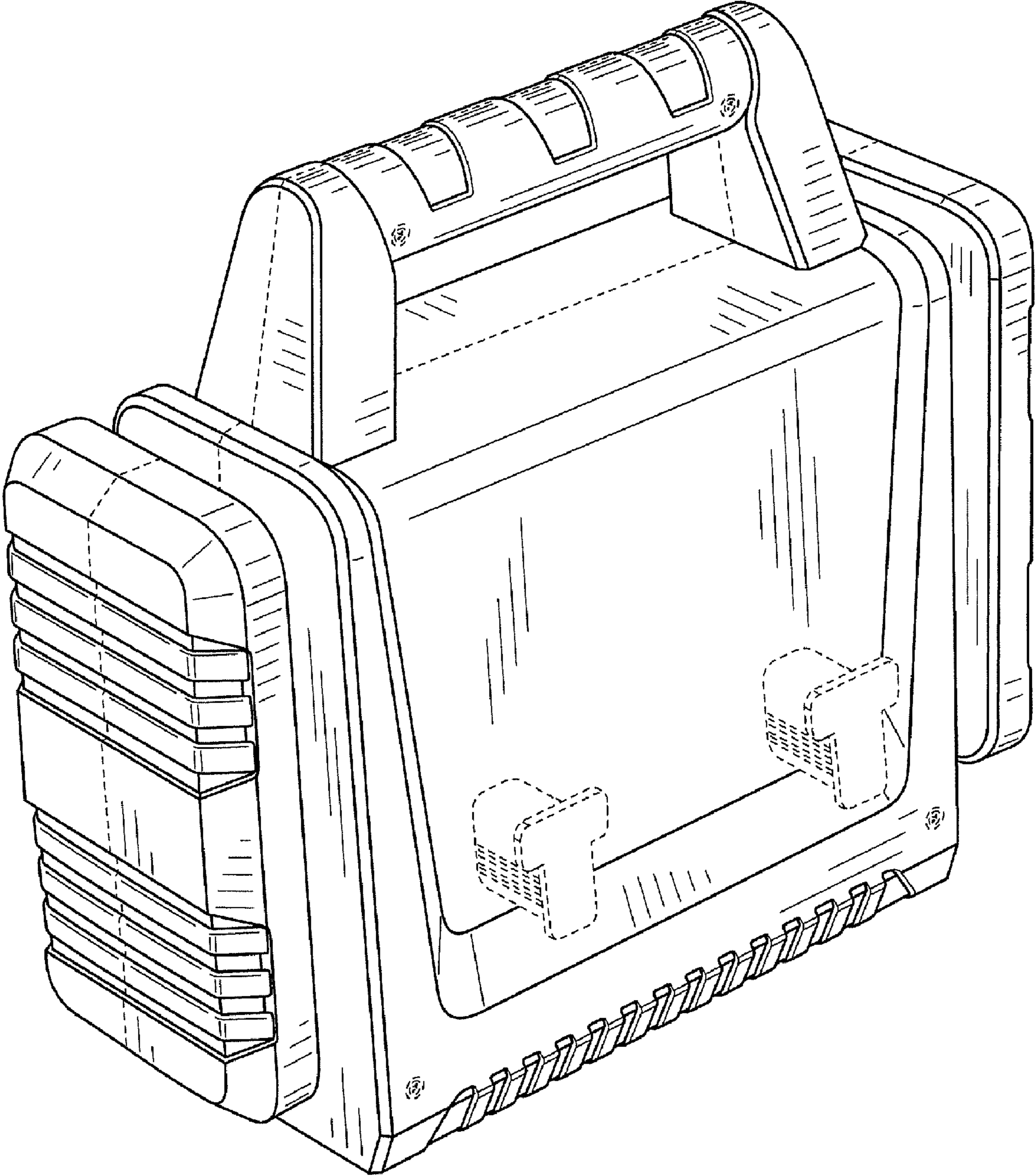


FIG. 8

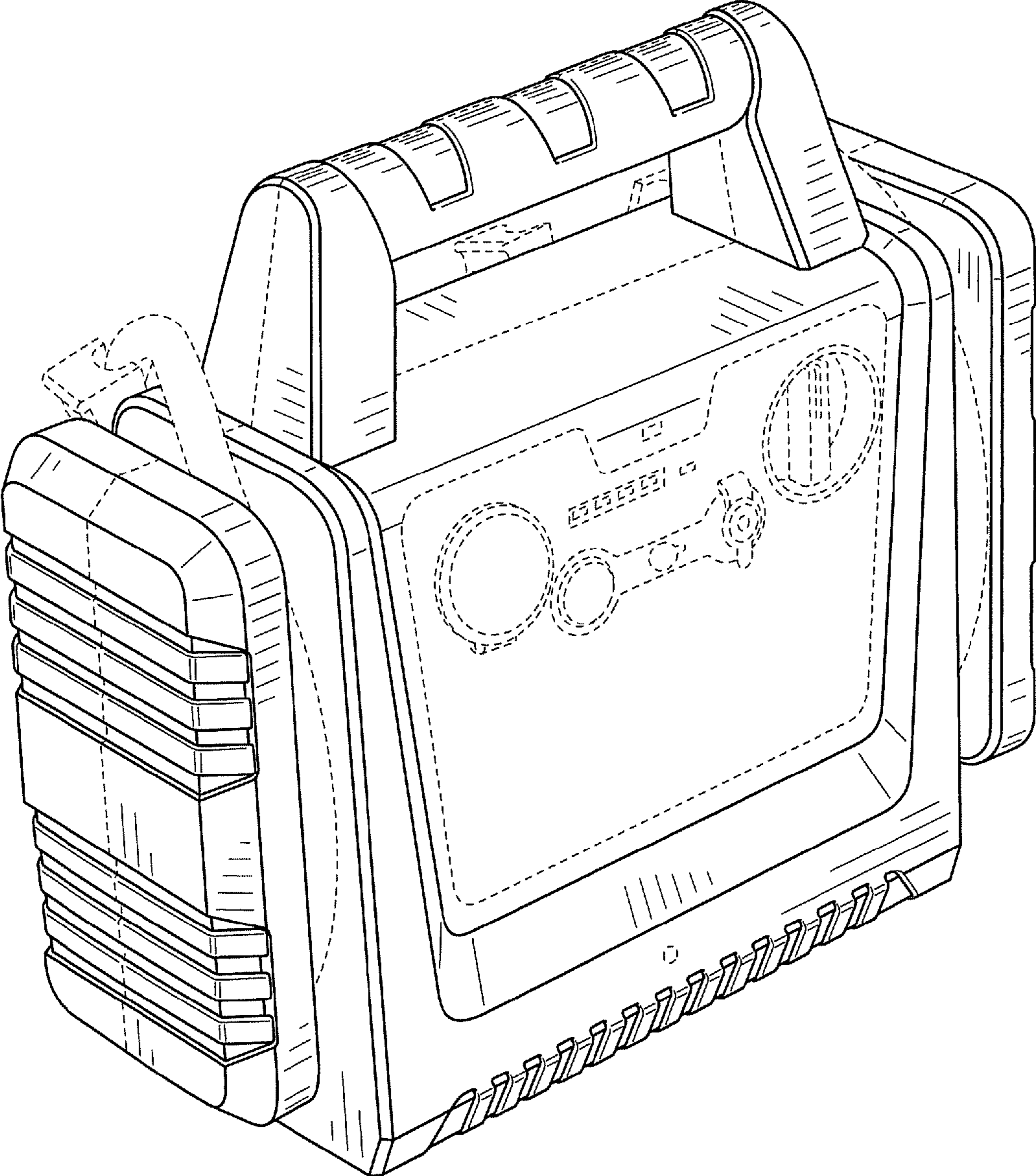


FIG. 9

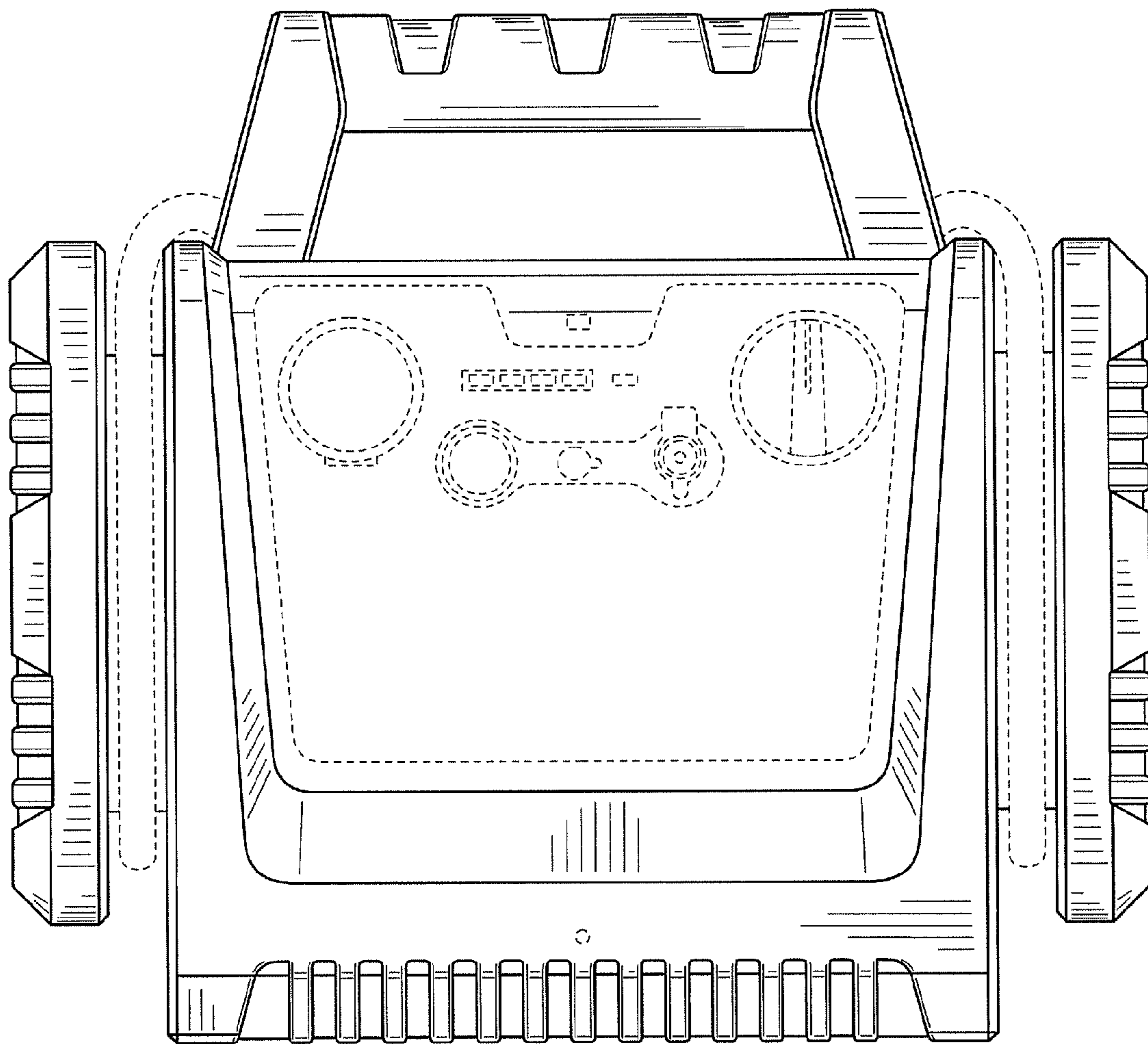


FIG. 10

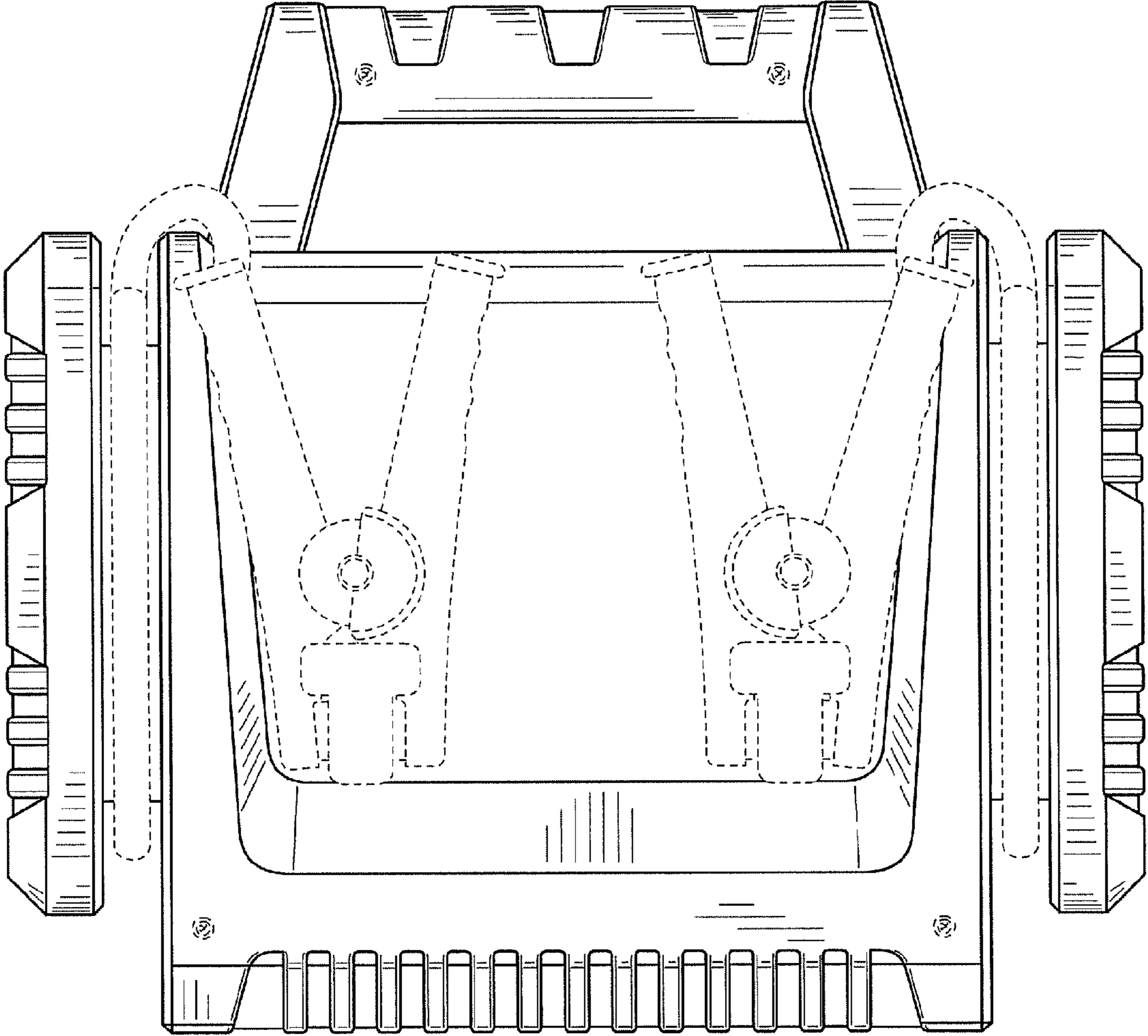


FIG. 11

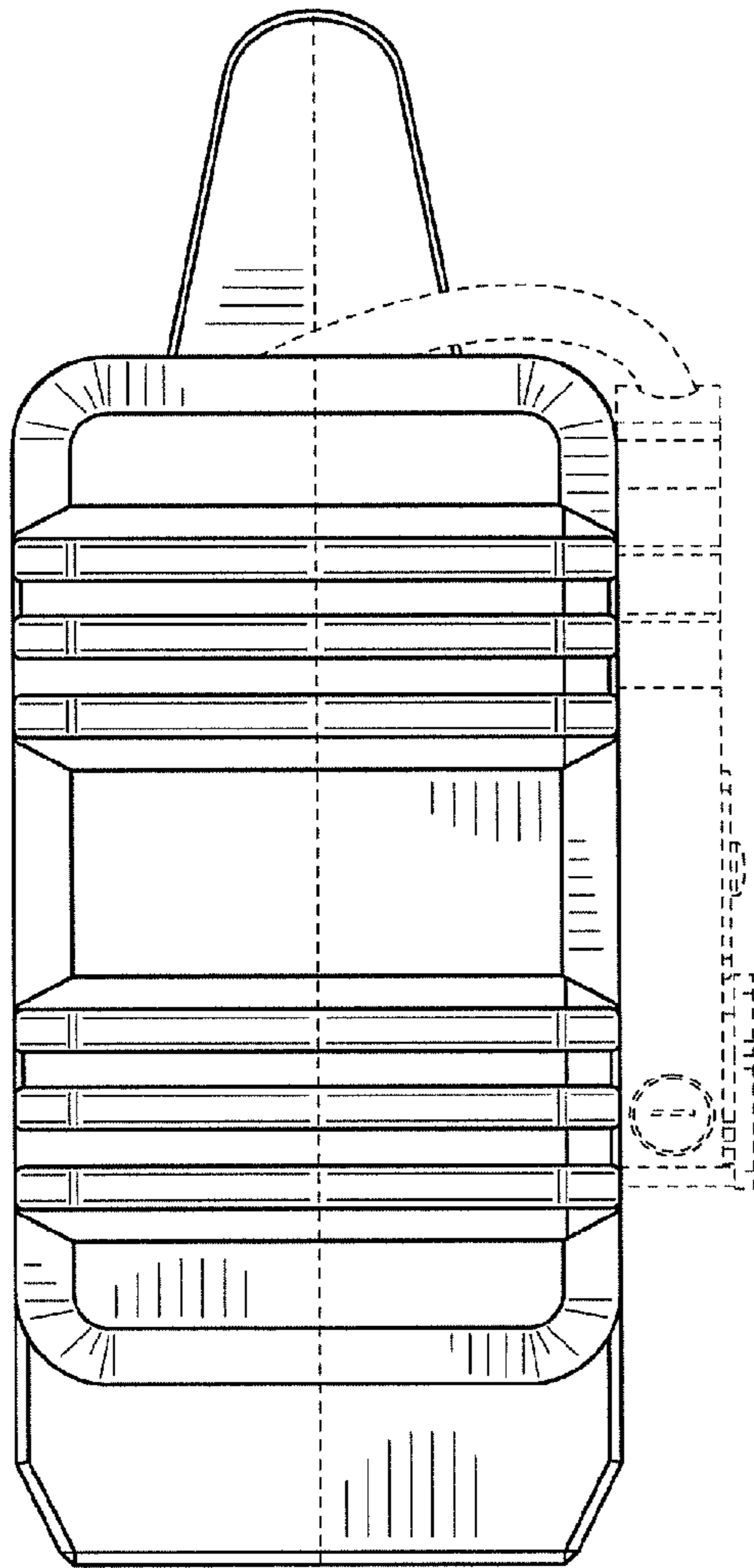


FIG. 12

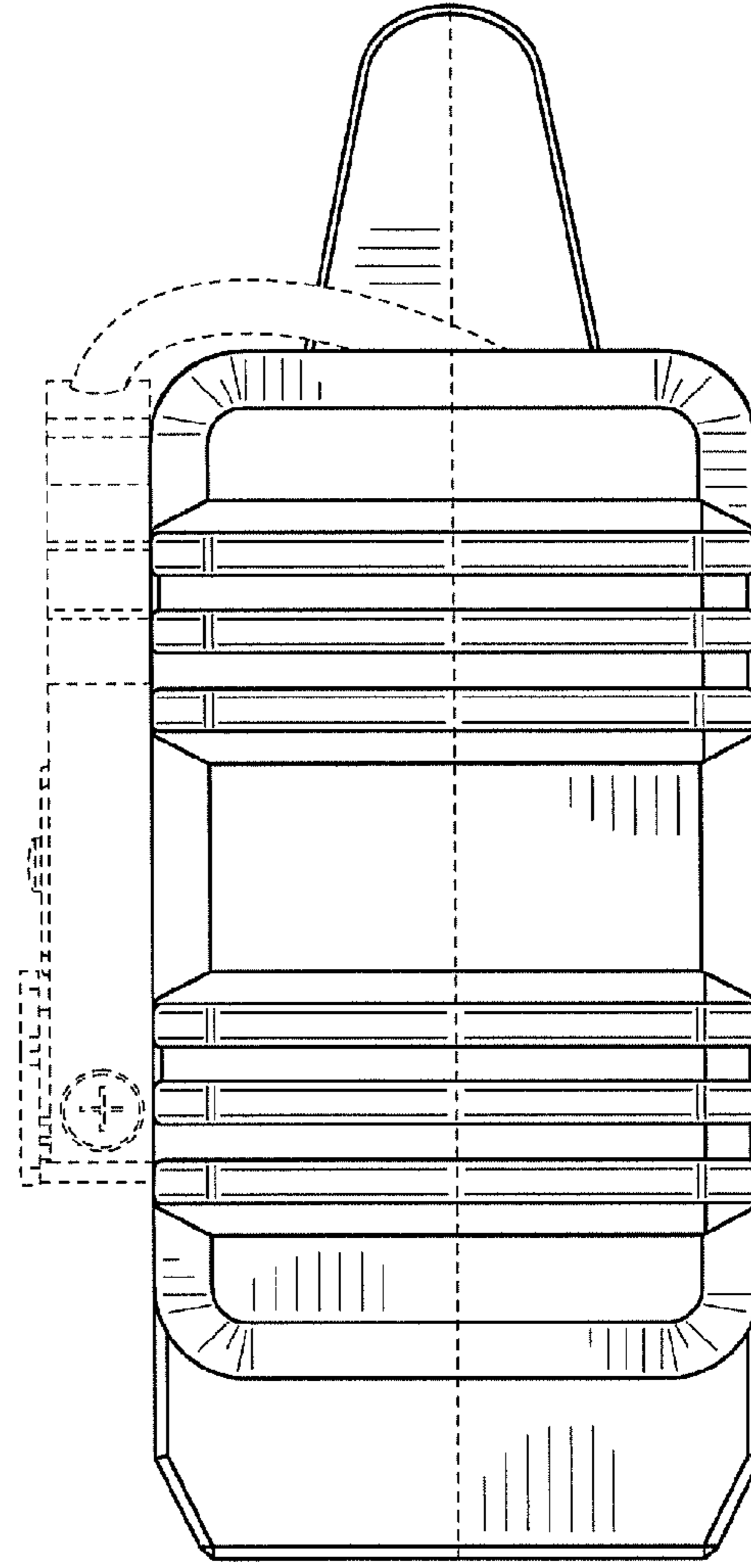


FIG. 13

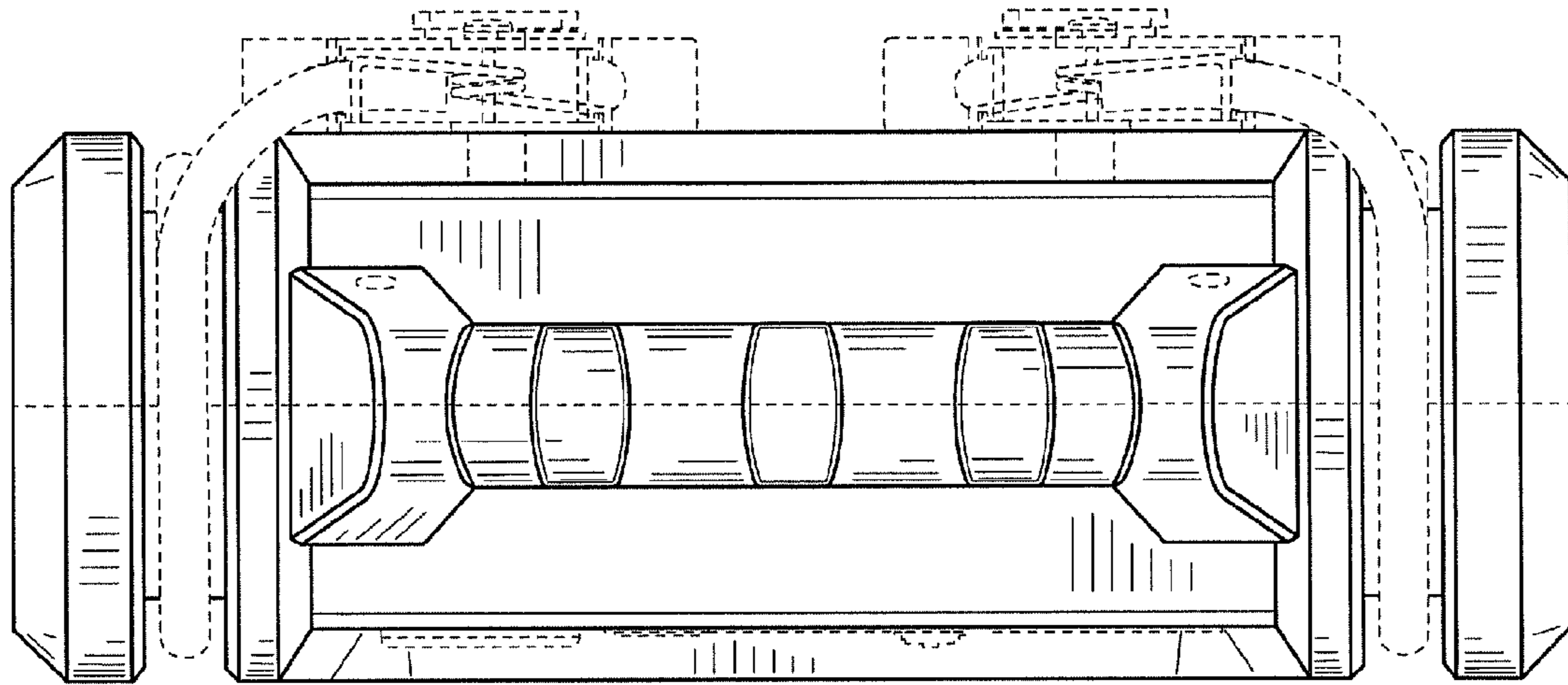


FIG. 14

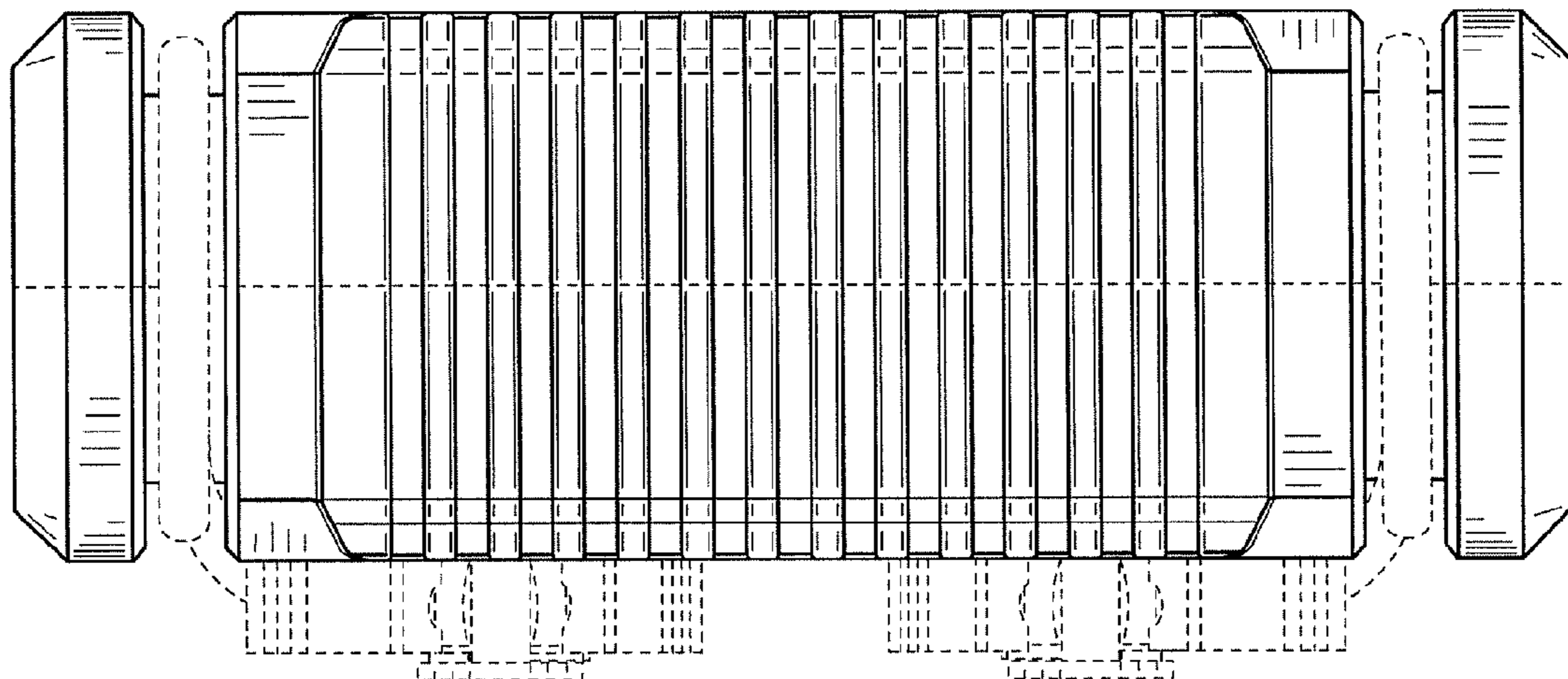


FIG. 15

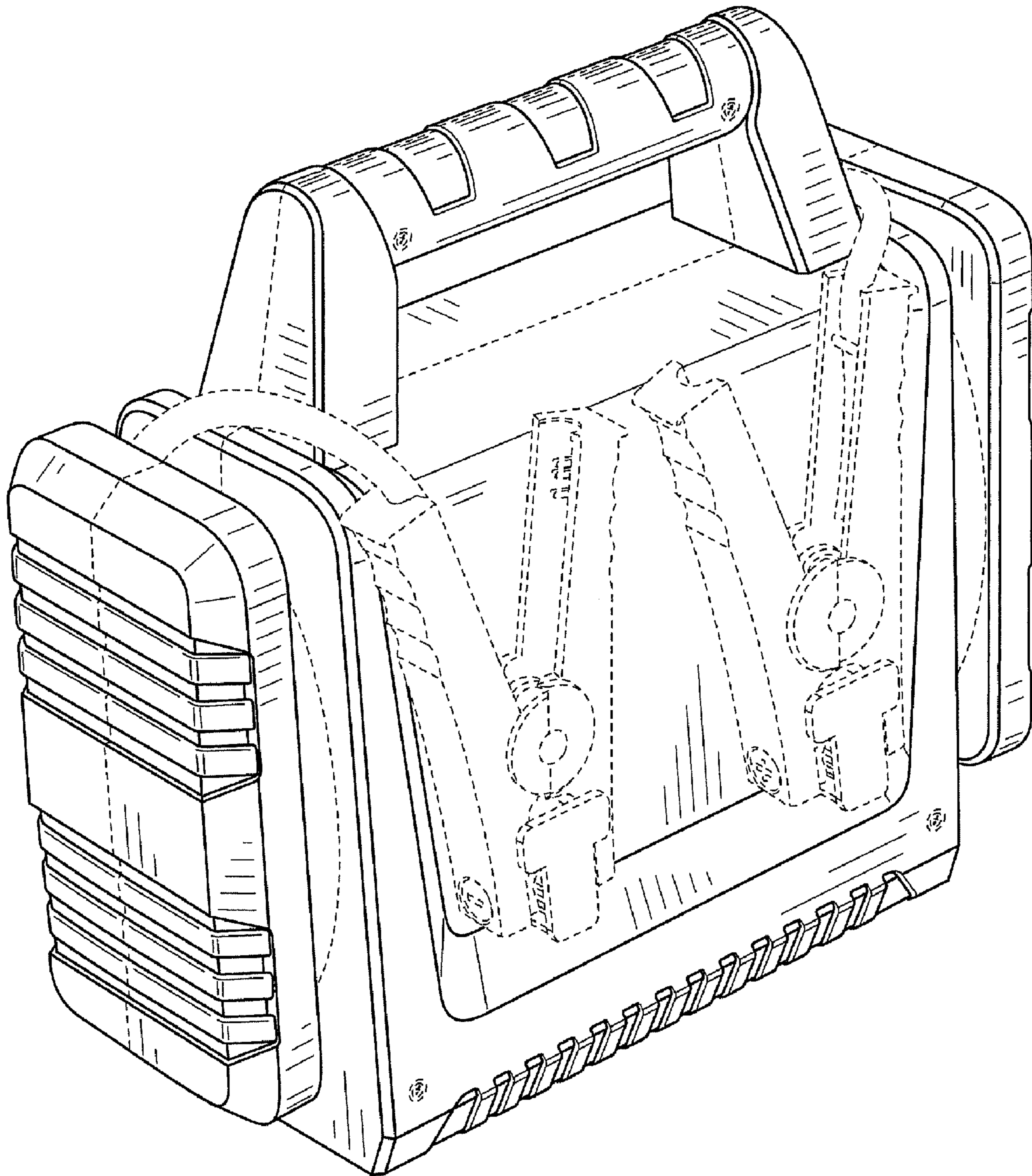


FIG. 16