



US00D609631S

(12) **United States Design Patent**
Mack

(10) **Patent No.:** **US D609,631 S**

(45) **Date of Patent:** **** *Feb. 9, 2010**

(54) **BATTERY**

(75) Inventor: **Robert J. Mack**, Milwaukee, WI (US)

(73) Assignee: **Johnson Controls Technology Company**, Holland, MI (US)

(**) Term: **14 Years**

(21) Appl. No.: **29/320,870**

(22) Filed: **Jul. 7, 2008**

D466,478 S	12/2002	Bolstad et al.	
D491,138 S	6/2004	Minato	
D499,070 S	11/2004	Lavington	
D517,479 S *	3/2006	Schemm	D13/119
D517,987 S	3/2006	Castagnola et al.	
D517,988 S	3/2006	Ihde et al.	
D559,778 S *	1/2008	Tsuzuki et al.	D13/110
D562,229 S	2/2008	Peters	
D562,765 S *	2/2008	Tsuzuki et al.	D13/110
7,332,243 B2	2/2008	Cummins et al.	
2004/0170888 A1 *	9/2004	Cummins et al.	429/99

Related U.S. Application Data

(63) Continuation-in-part of application No. 29/302,069, filed on Jan. 9, 2008, and a continuation-in-part of application No. 29/320,780, filed on Jul. 3, 2008.

(Continued)

OTHER PUBLICATIONS

(51) **LOC (9) Cl.** **13-02**

(52) **U.S. Cl.** **D13/104**

(58) **Field of Classification Search** D13/102–106,
D13/110, 118–119, 184; 429/96–100, 163,
429/176

Photographs of “old” Optima battery with a date stamp of Week 47, 1990.

(Continued)

Primary Examiner—Rosemary K Tarcza
(74) *Attorney, Agent, or Firm*—Lathrop & Clark LLP

See application file for complete search history.

(56) **References Cited**

(57) **CLAIM**

U.S. PATENT DOCUMENTS

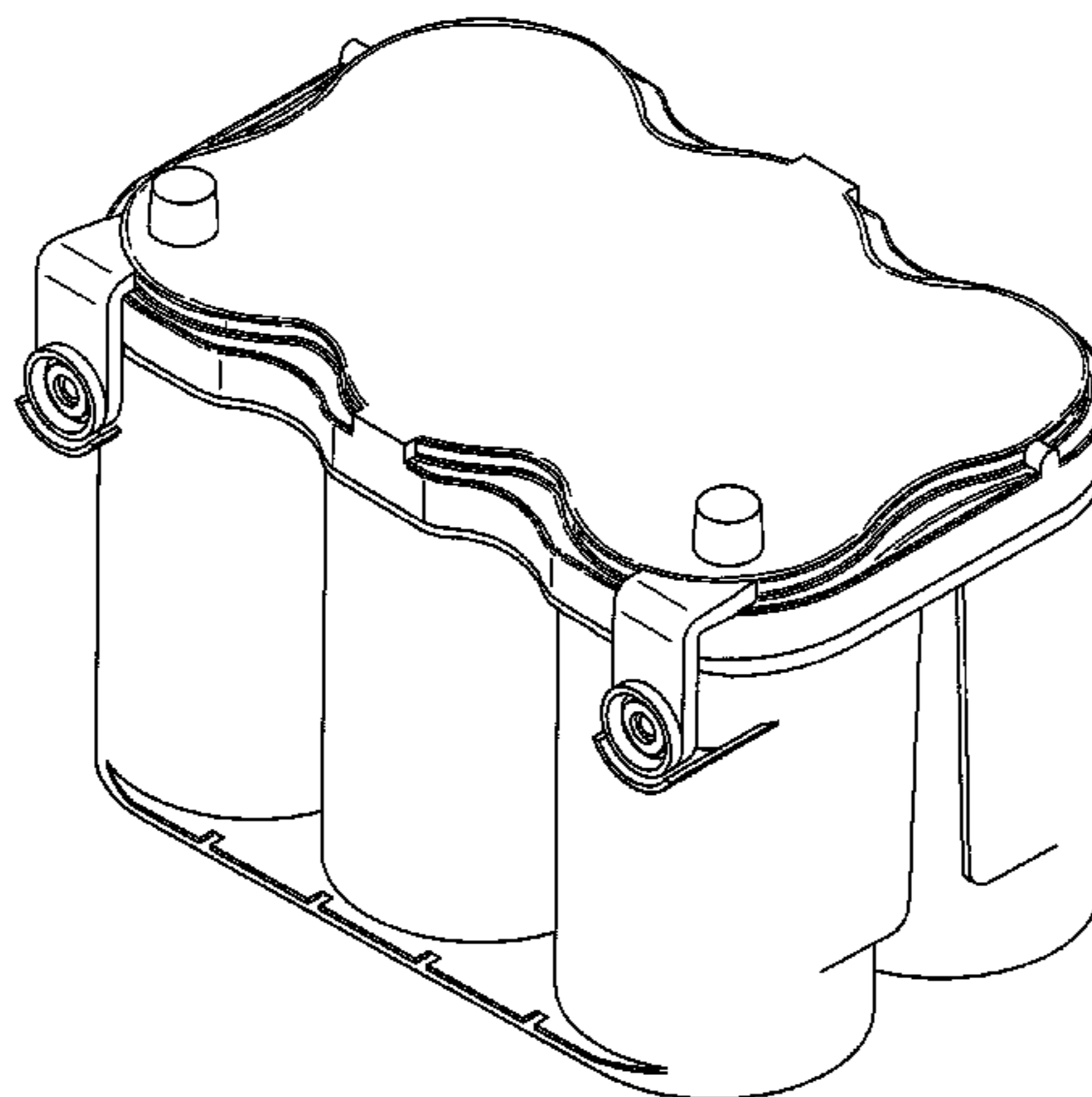
The ornamental design for a battery, as shown and described.

D252,354 S	7/1979	Uyeda
D298,029 S	10/1988	Foster
D303,373 S	9/1989	Ching, Jr.
D304,926 S	12/1989	Ching, Jr.
D304,927 S	12/1989	Ching et al.
D307,133 S	4/1990	Ching, Jr.
D307,886 S	5/1990	Ching et al.
5,283,137 A	2/1994	Ching
5,415,956 A	5/1995	Ching
D372,701 S	8/1996	Tahmassebpur
5,599,641 A	2/1997	Ching et al.
5,856,037 A	1/1999	Casale et al.
5,871,862 A	2/1999	Olson
D406,258 S	3/1999	Segers
5,998,062 A	12/1999	Olson
6,023,146 A	2/2000	Casale et al.
6,025,086 A	2/2000	Ching
D450,653 S	11/2001	Hertel et al.

DESCRIPTION

FIG. 1 is a top perspective view of a battery according to an exemplary embodiment;
FIG. 2 is a top plan view thereof;
FIG. 3 is a first side elevation view thereof;
FIG. 4 is a second side elevation view thereof;
FIG. 5 is a first end elevation view thereof;
FIG. 6 is a second end elevation view thereof; and,
The bottom view forms no part of the invention.

1 Claim, 6 Drawing Sheets



U.S. PATENT DOCUMENTS

2005/0069762 A1 3/2005 Daley et al.

OTHER PUBLICATIONS

Optima Batteries brochure entitled "The Ultimate Power Source" dated Mar. 2007.

U.S. Appl. No. 29/302,068, filed Jan. 9, 2008, Mack.

U.S. Appl. No. 29/302,069, filed Jan. 9, 2008, Mack.

U.S. Appl. No. 29/302,070, filed Jan. 9, 2008, Mack.

U.S. Appl. No. 29/302,071, filed Jan. 9, 2008, Mack.

U.S. Appl. No. 29/302,072, filed Jan. 9, 2008, Mack.

U.S. Appl. No. 29/320,414, filed Jun. 26, 2008, Mack.

U.S. Appl. No. 29/320,780, filed Jul. 3, 2008, Mack.

U.S. Appl. No. 29/320,869, filed Jul. 7, 2008, Mack.

U.S. Appl. No. 29/327,178, filed Oct. 31, 2008, Mack.

U.S. Appl. No. 29/327,181, filed Oct. 31, 2008, Mack.

U.S. Appl. No. 29/327,182, filed Oct. 31, 2008, Mack.

U.S. Appl. No. 29/331,896, filed Feb. 4, 2008, Mack.

* cited by examiner

FIG. 1

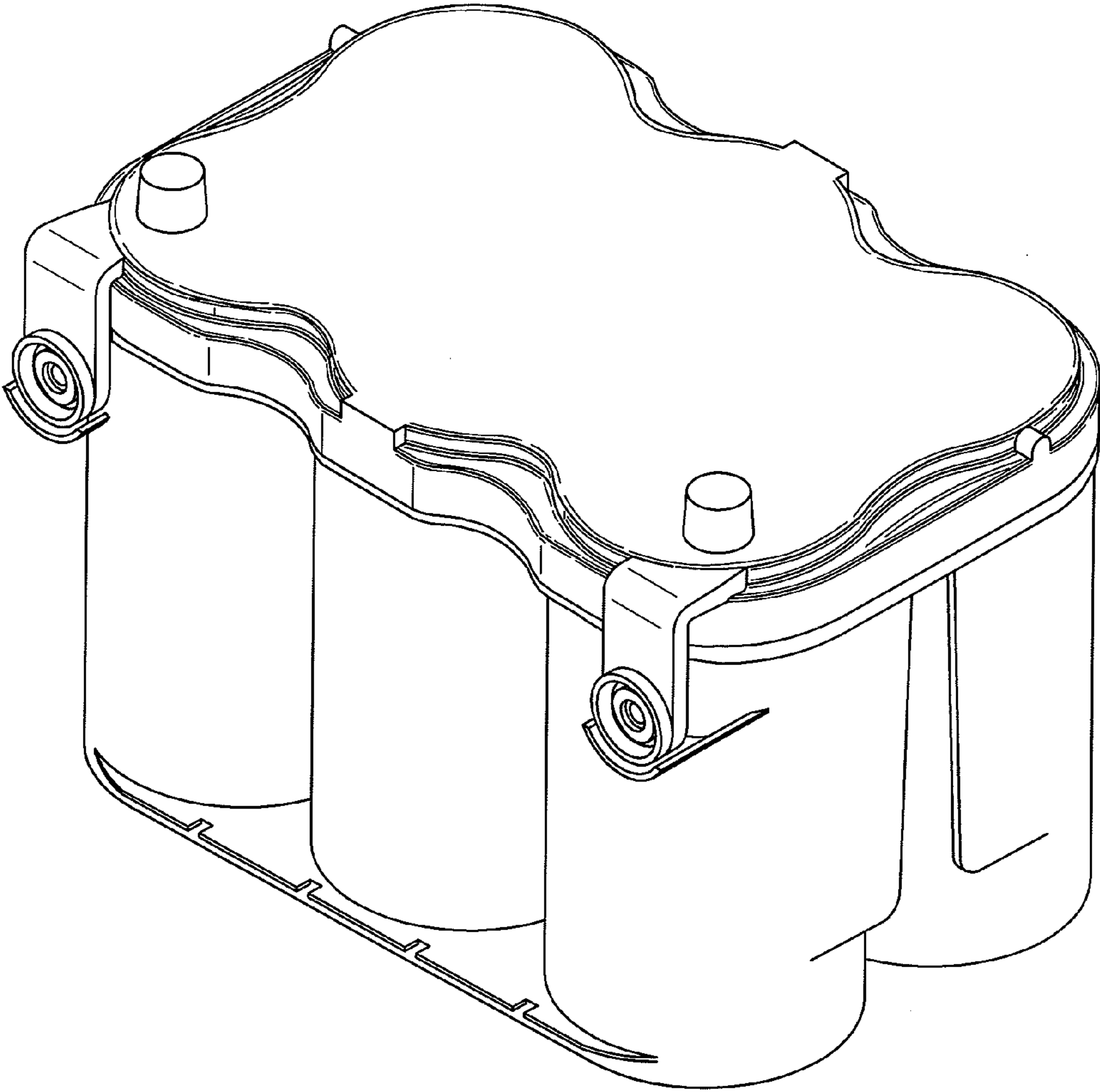


FIG. 2

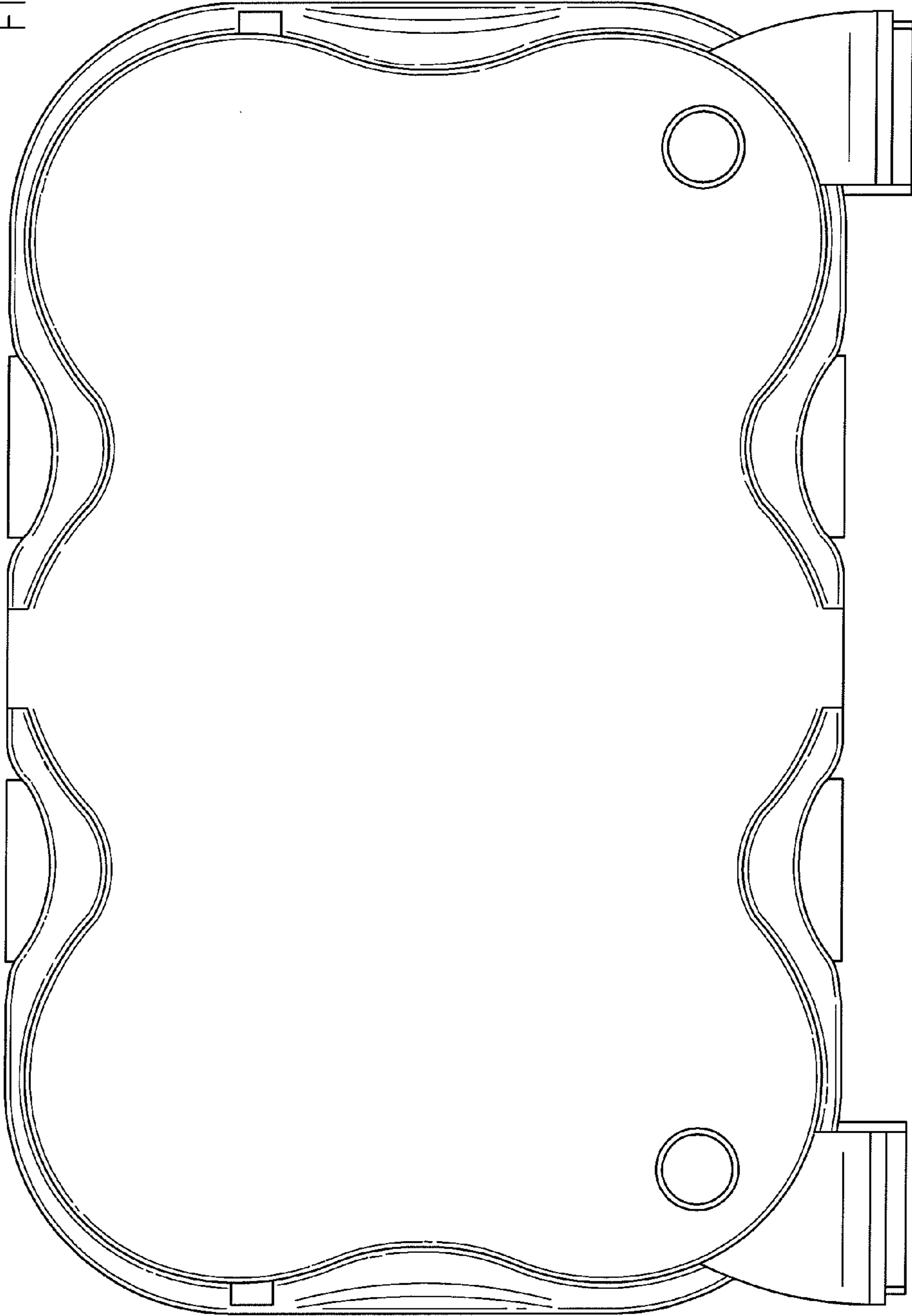
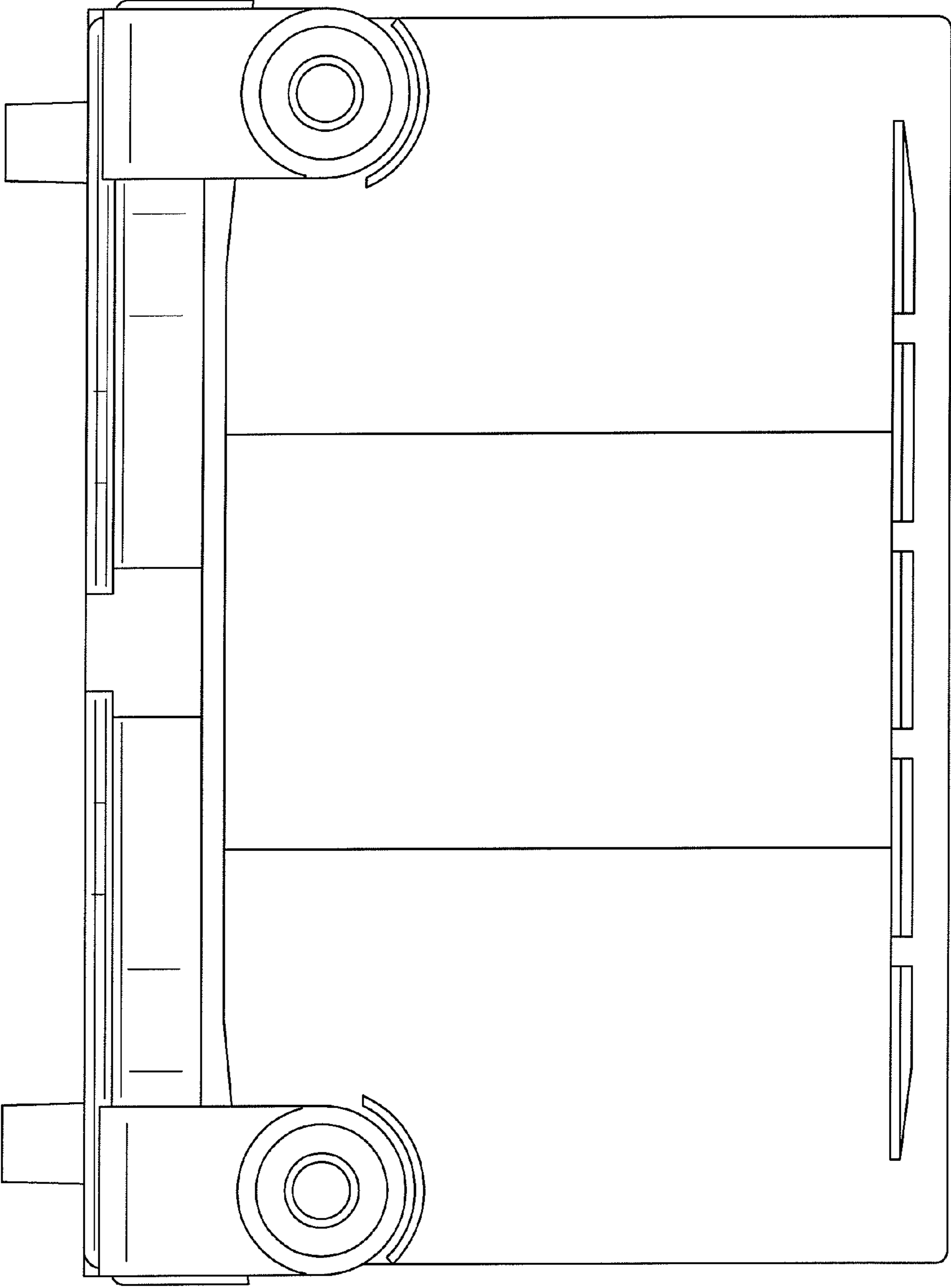


FIG. 3



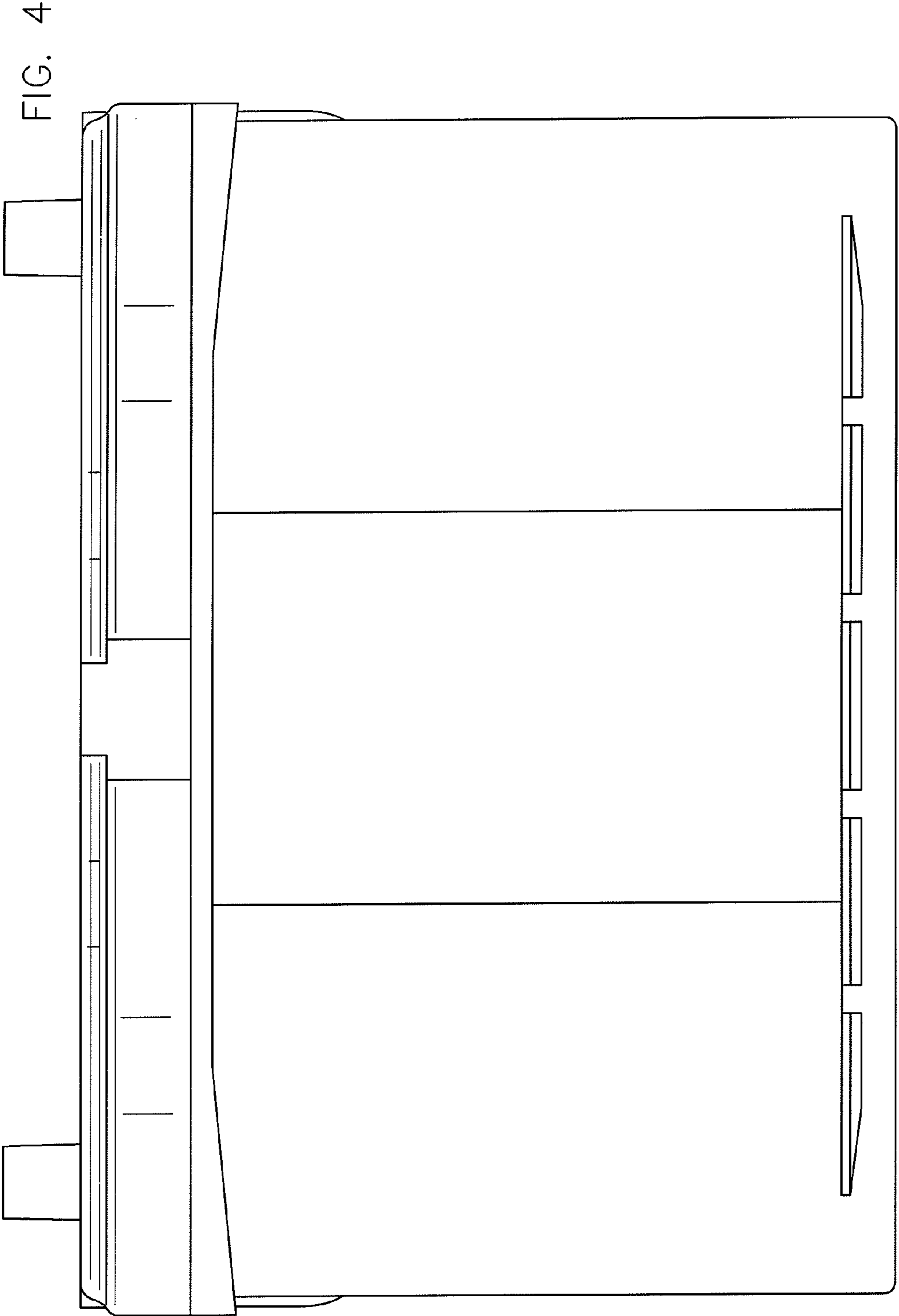


FIG. 5

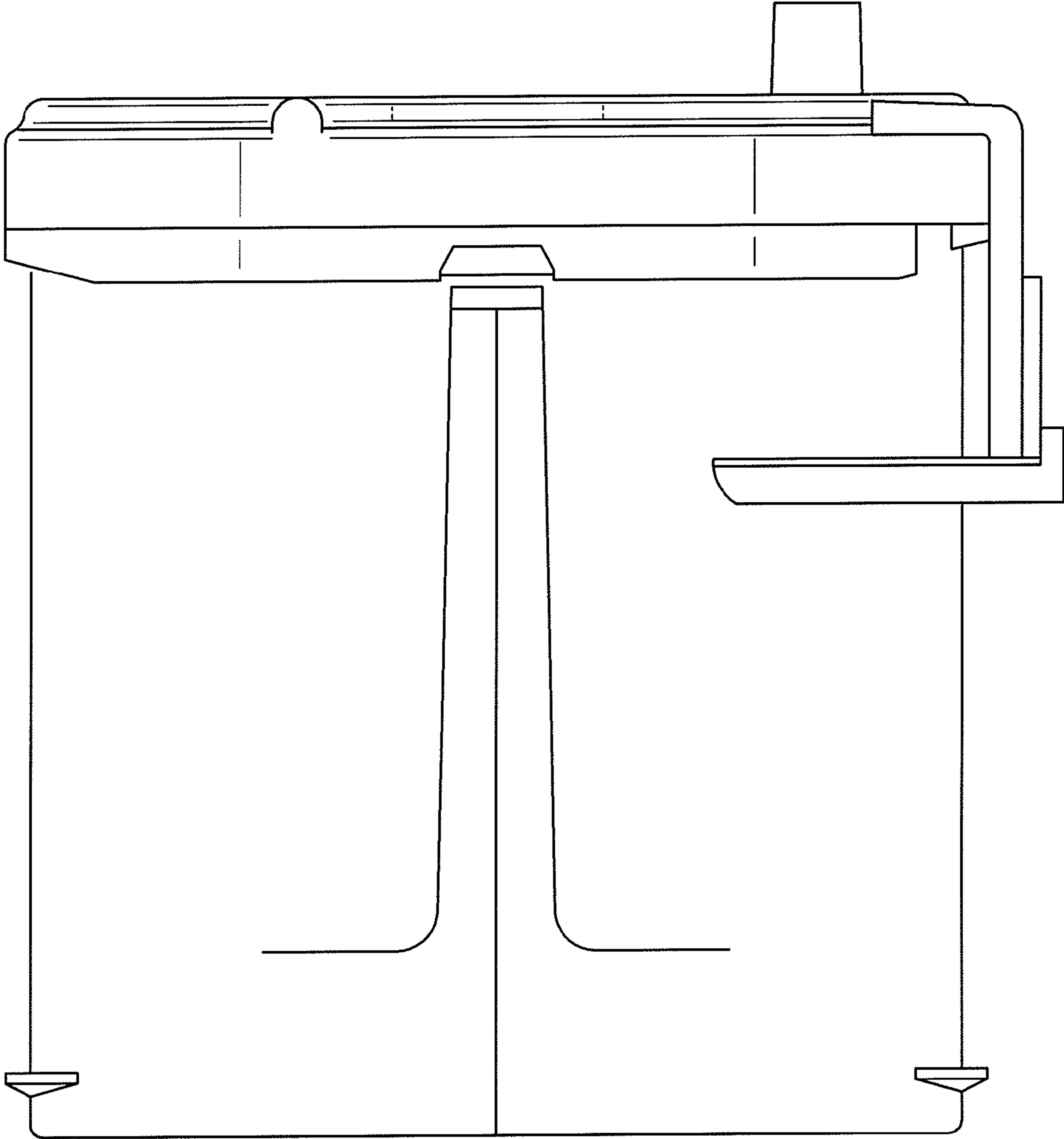


FIG. 6

