



US00D609626S

(12) **United States Design Patent**
Murphy

(10) **Patent No.:** **US D609,626 S**
(45) **Date of Patent:** **** Feb. 9, 2010**

(54) **VISOR ORGANIZER**

(76) Inventor: **Lynn Murphy**, 1800 N. Spirit Dance Rd., Jackson, WY (US) 83001

(**) Term: **14 Years**

(21) Appl. No.: **29/342,393**

(22) Filed: **Aug. 24, 2009**

(51) **LOC (9) Cl.** **12-16**

(52) **U.S. Cl.** **D12/417**

(58) **Field of Classification Search** D12/191,
D12/417; D3/215, 226, 247-253; 224/311-312,
224/275; 296/97.1-97.9; D6/620-635; D14/69,
D14/138-144, 239

See application file for complete search history.

(56) **References Cited**

U.S. PATENT DOCUMENTS

D402,624 S *	12/1998	Patterson	D12/417
D413,299 S *	8/1999	Hartmann et al.	D12/417
D434,368 S *	11/2000	Eskandry	D12/417
6,347,824 B1 *	2/2002	Akouri et al.	296/97.5
D479,503 S *	9/2003	Robinson	D12/417
D515,017 S *	2/2006	Feldman et al.	D12/417

* cited by examiner

Primary Examiner—Stacia Cadmus

(74) *Attorney, Agent, or Firm*—David W. Carstens; Carstens & Cahoon, LLP

(57) **CLAIM**

The ornamental design for a visor organizer, as shown and described.

DESCRIPTION

FIG. 1 is an isometric view of the visor organizer showing my new design;

FIG. 2 is a front view thereof;

FIG. 3 is a rear view thereof;

FIG. 4 is a left side view thereof;

FIG. 5 is a right side view thereof;

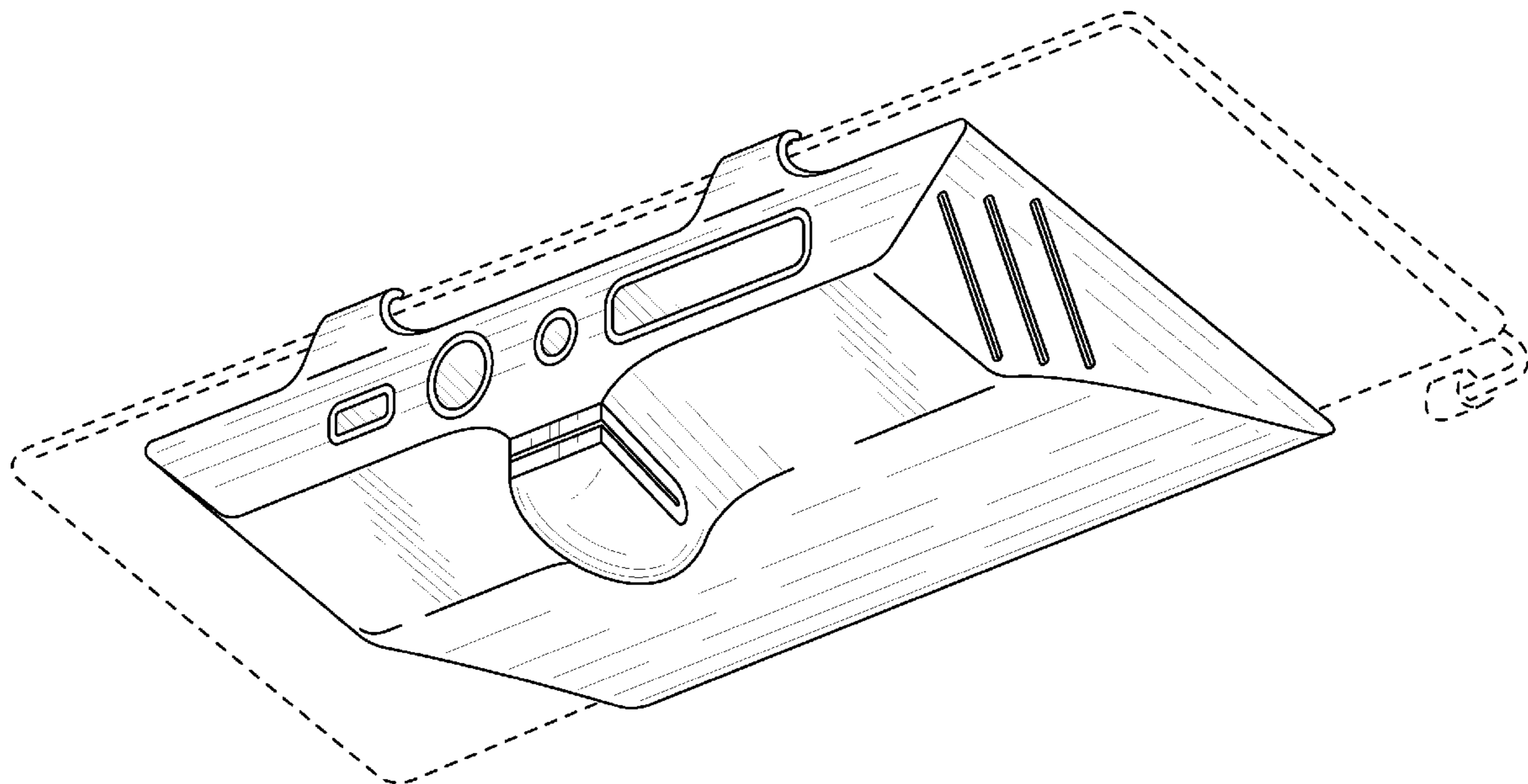
FIG. 6 is a top view thereof; and,

FIG. 7 is a bottom view thereof.

FIG. 1 depicts dashed lines across the top of the visor organizer. These dashed lines are presented in the drawing for illustration only, and do not form a part of the claimed design.

The Visor Organizer is shown on an enlarged scale in FIGS. 6 and 7 as compared with FIGS. 1-5.

1 Claim, 3 Drawing Sheets



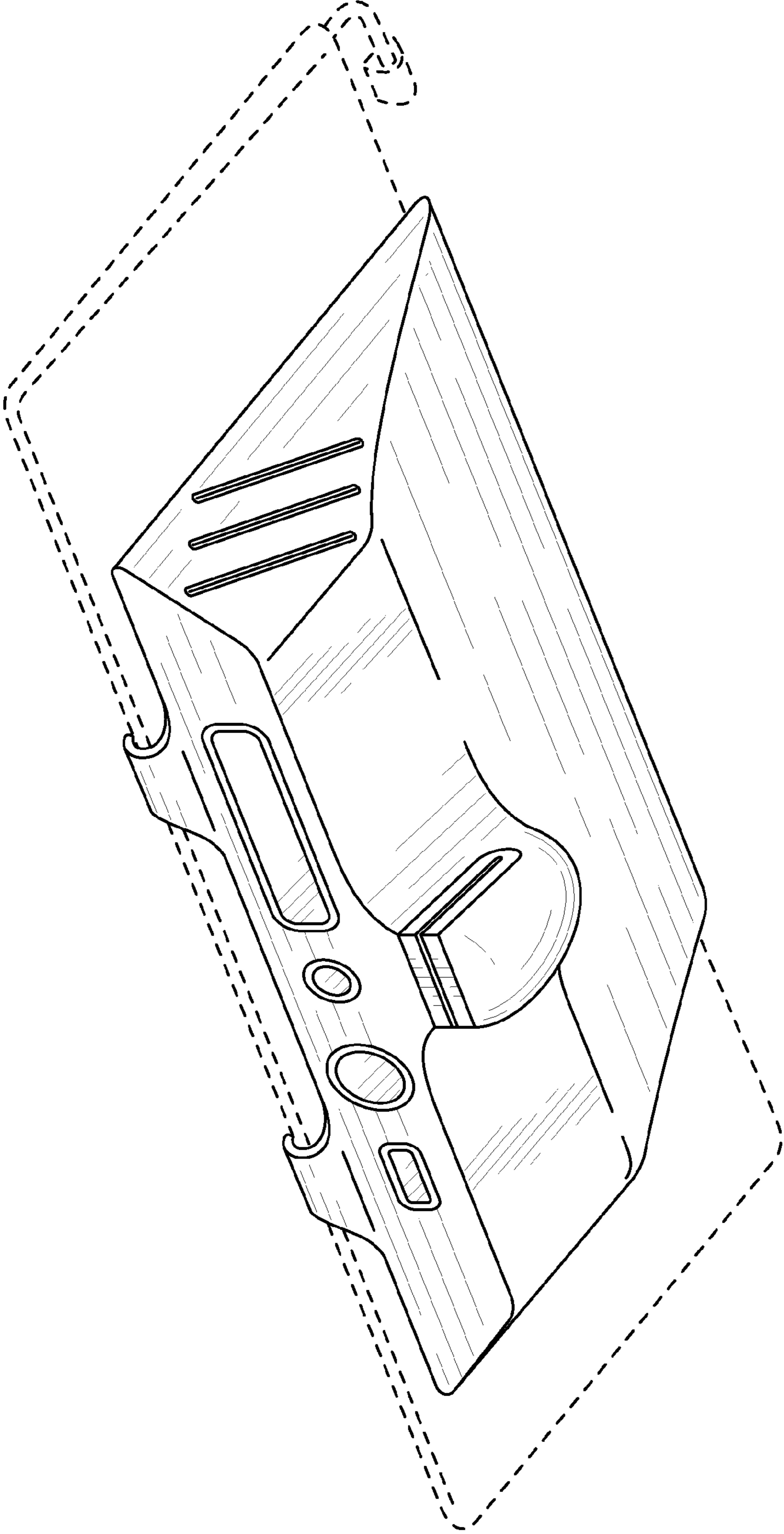


FIG. 1

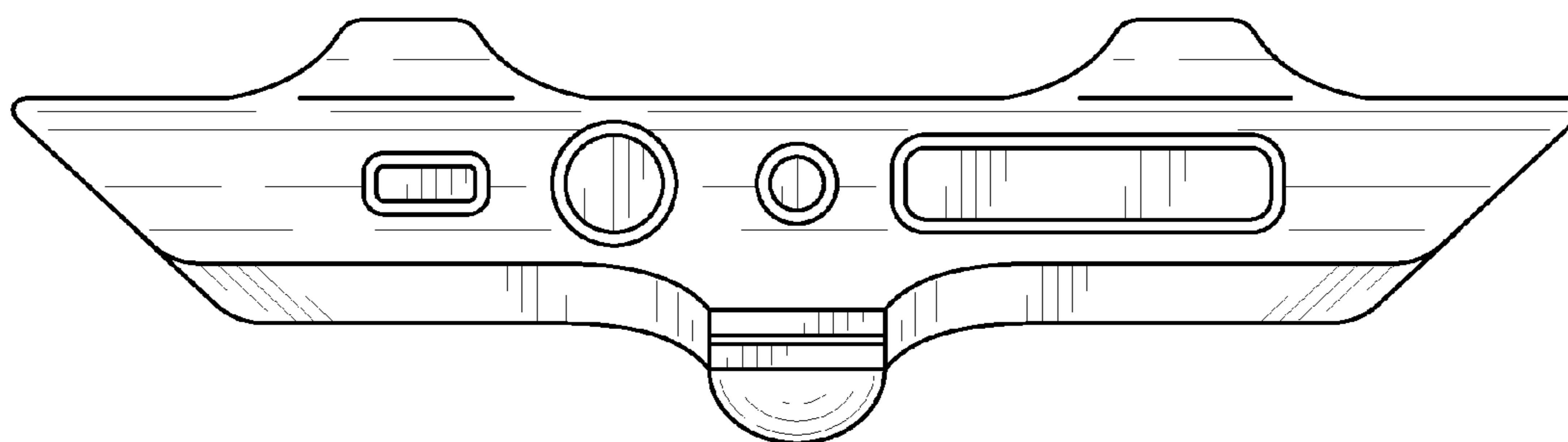


FIG. 2

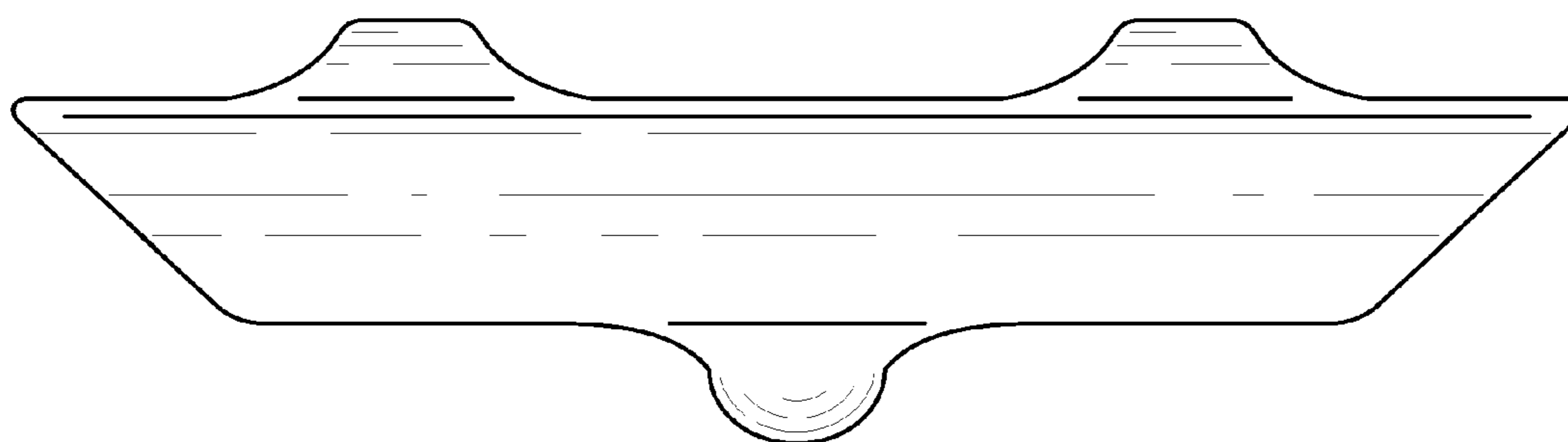


FIG. 3

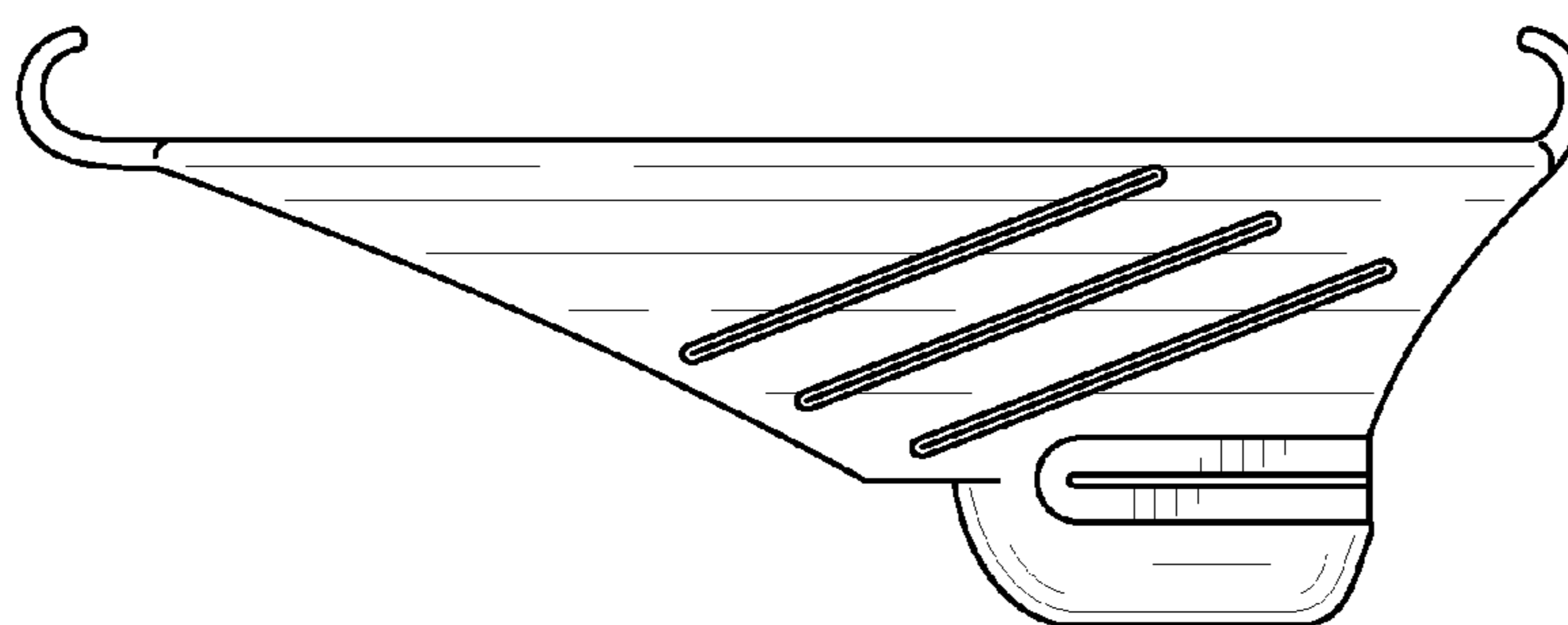


FIG. 4

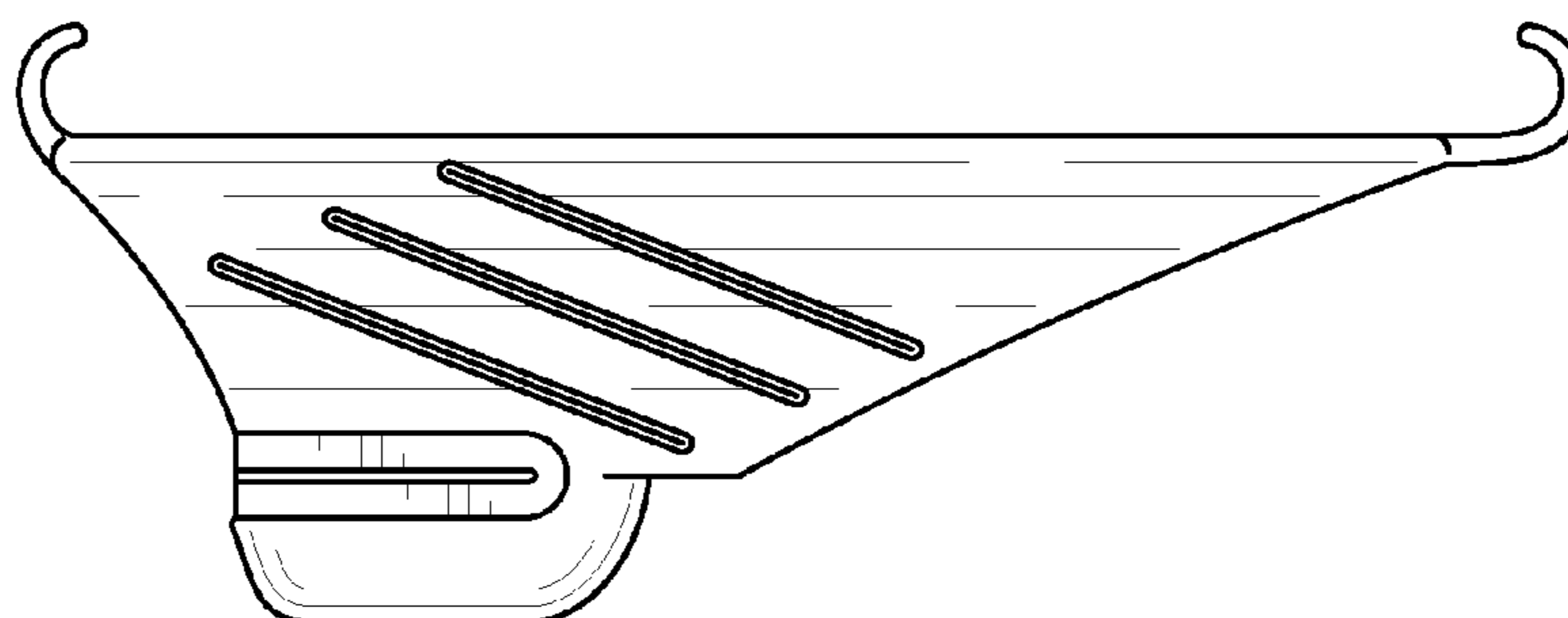


FIG. 5

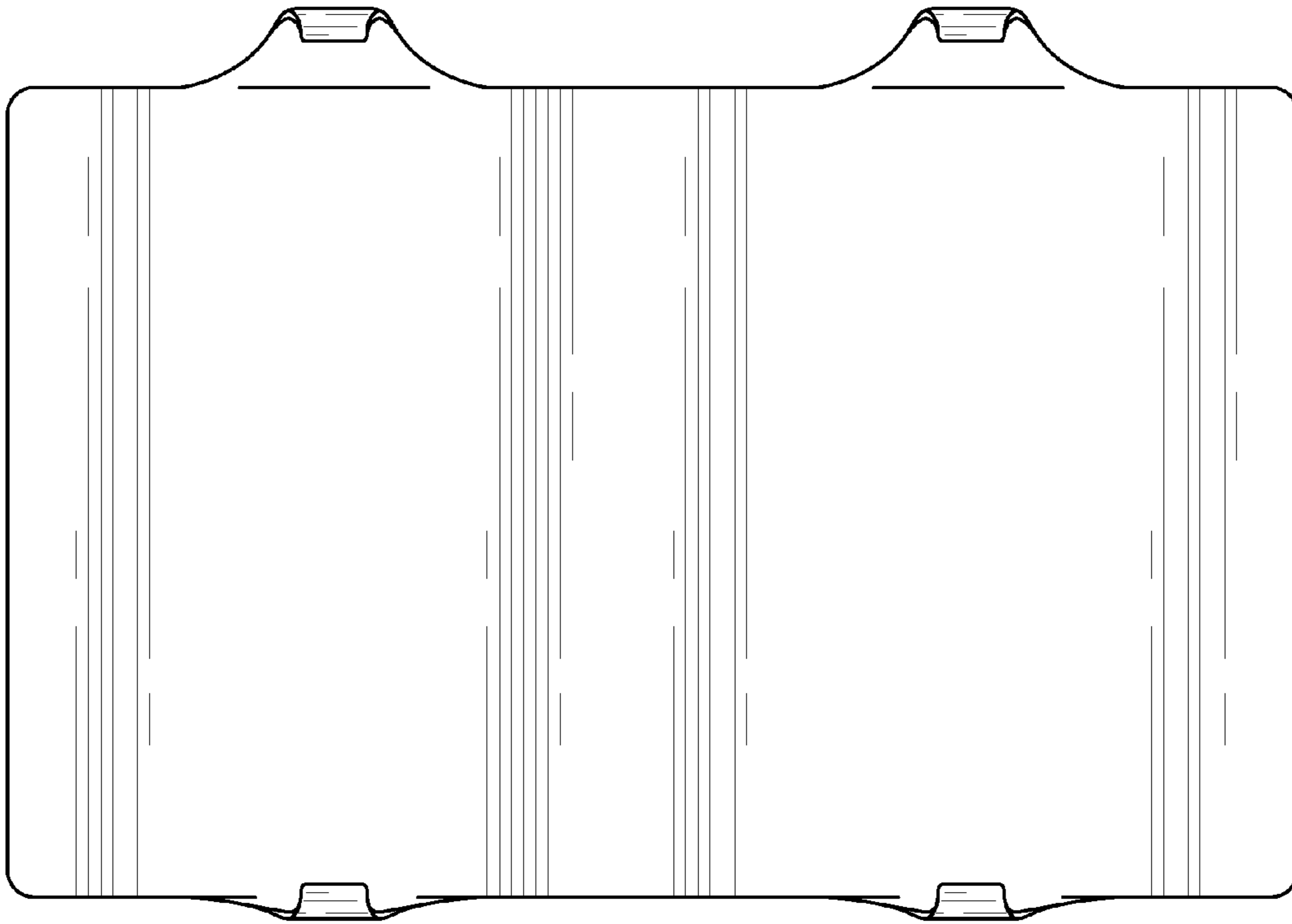


FIG. 6

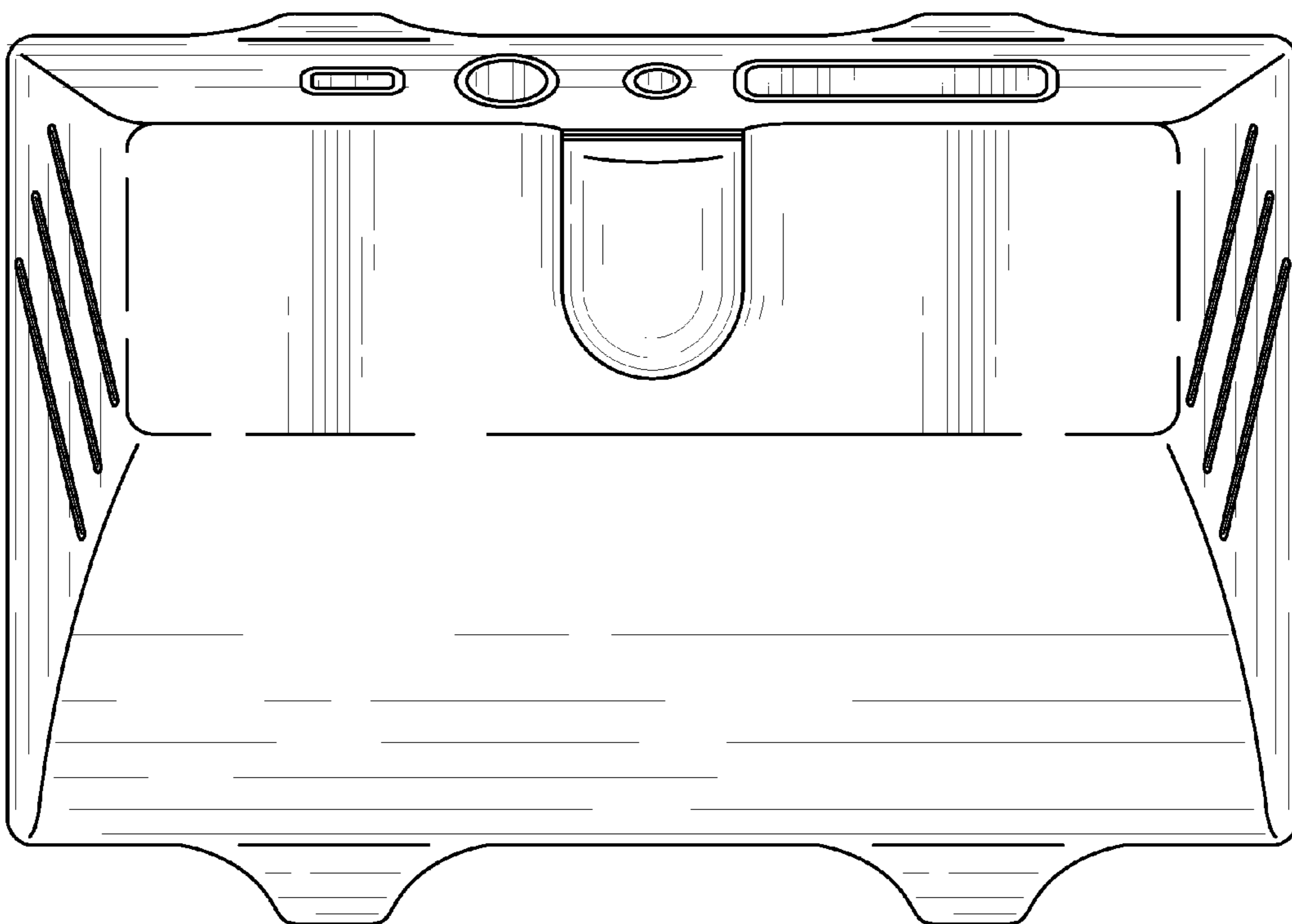


FIG. 7