



US00D609623S

(12) **United States Design Patent**  
**Gallert**

(10) **Patent No.:** **US D609,623 S**

(45) **Date of Patent:** **\*\* Feb. 9, 2010**

(54) **AUTOMOBILE WHEEL**

(75) Inventor: **Michael Gallert**, Stuttgart (DE)

(73) Assignee: **Dr. Ing. h.c. F. Porsche**  
**Aktiengesellschaft**, Stuttgart (DE)

(\*\*) Term: **14 Years**

(21) Appl. No.: **29/338,836**

(22) Filed: **Jun. 19, 2009**

(51) **LOC (9) Cl.** ..... **12-16**

(52) **U.S. Cl.** ..... **D12/209**

(58) **Field of Classification Search** ..... D12/204-213;  
301/37.101, 64.101, 65, 64.201  
See application file for complete search history.

(56) **References Cited**

**U.S. PATENT DOCUMENTS**

D421,417 S *	3/2000	Weidhase	.....	D12/209
D453,134 S *	1/2002	Murkett et al.	.....	D12/209
D486,769 S *	2/2004	Gallert	.....	D12/209
D491,872 S *	6/2004	Lai	.....	D12/211
D506,717 S *	6/2005	Gallert	.....	D12/209
D515,003 S *	2/2006	Echazabal	.....	D12/211
D522,432 S *	6/2006	Pfeiffer	.....	D12/209

D522,952 S *	6/2006	Nakahara	.....	D12/211
D524,220 S *	7/2006	Scheu	.....	D12/211
D533,826 S *	12/2006	Scheu	.....	D12/211
D542,207 S *	5/2007	Gauffres	.....	D12/211
D563,305 S *	3/2008	Schweizer	.....	D12/211
D580,842 S *	11/2008	Kim	.....	D12/211
D581,853 S *	12/2008	Rak	.....	D12/211
D584,672 S *	1/2009	Osborne	.....	D12/209
D590,314 S *	4/2009	Hettler	.....	D12/209
D596,549 S *	7/2009	Varga	.....	D12/211

\* cited by examiner

*Primary Examiner*—Stacia Cadmus

(57) **CLAIM**

The ornamental design for an automobile wheel, as shown and described.

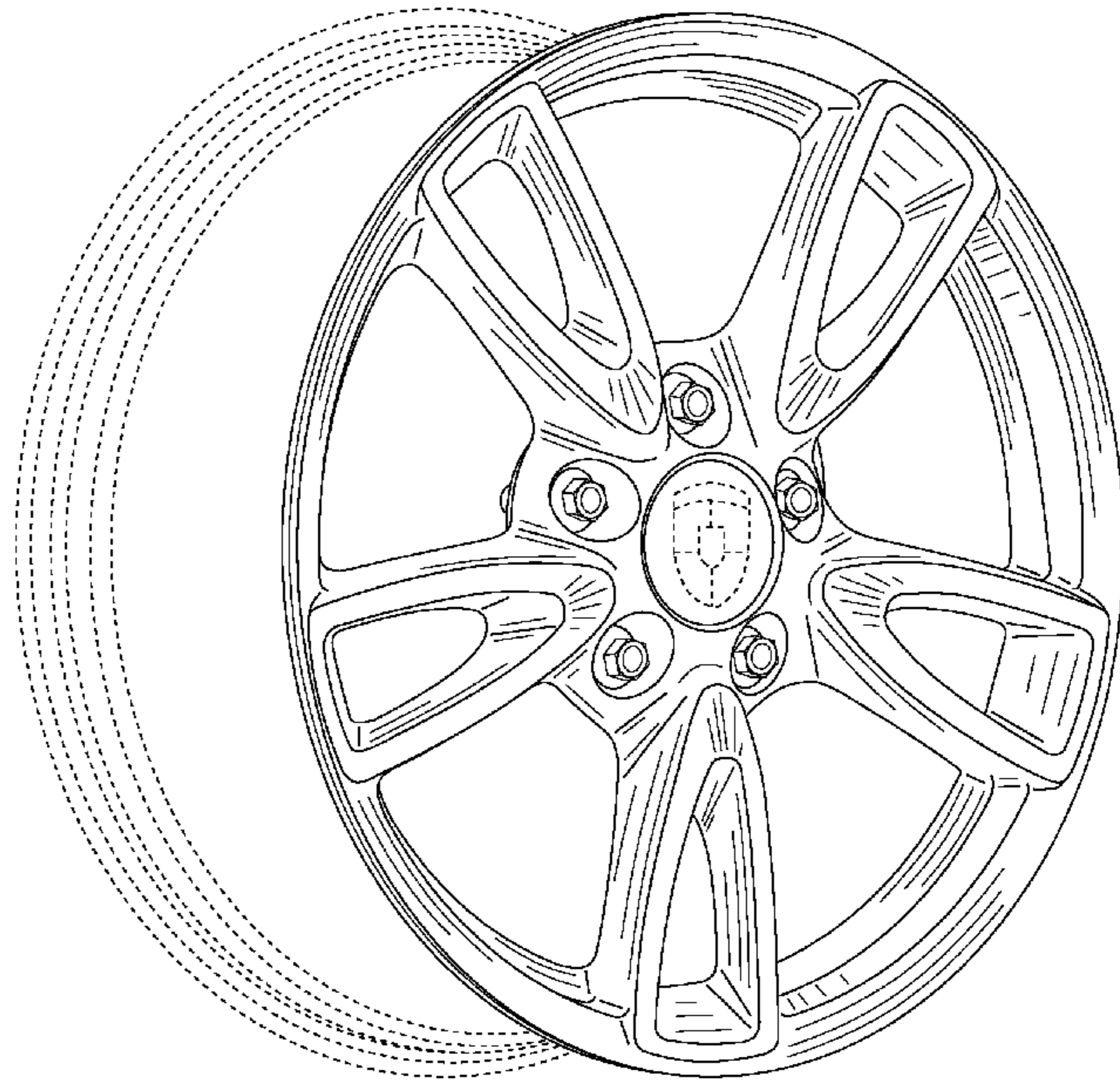
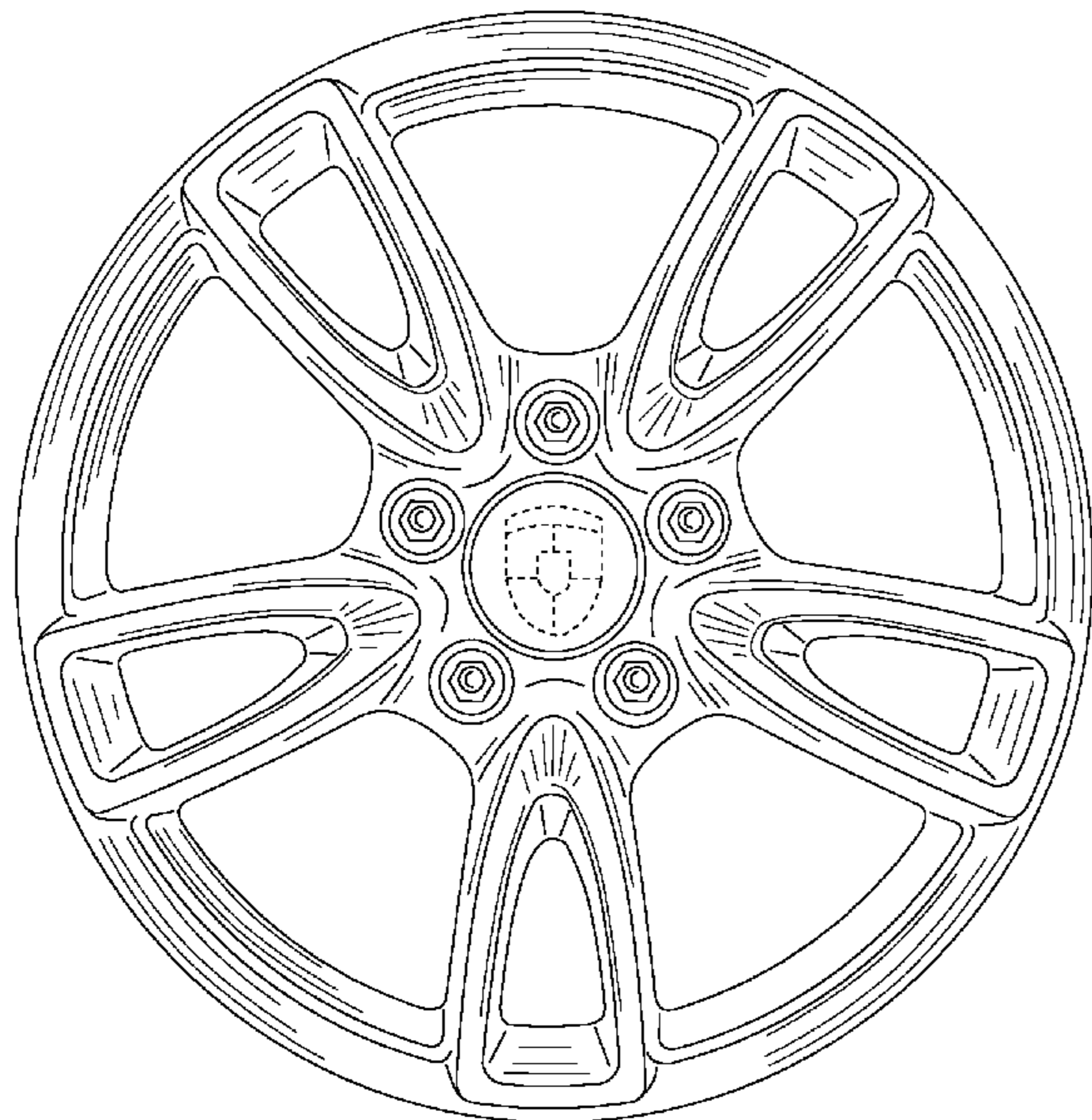
**DESCRIPTION**

FIG. 1 is a front elevational view of an automobile wheel, showing my new design; and,

FIG. 2 is a perspective view thereof.

The broken line showing of the rear of the rim and the emblem on the center cap is included for the purpose of illustrating environment and forms no part of the claimed design.

**1 Claim, 2 Drawing Sheets**



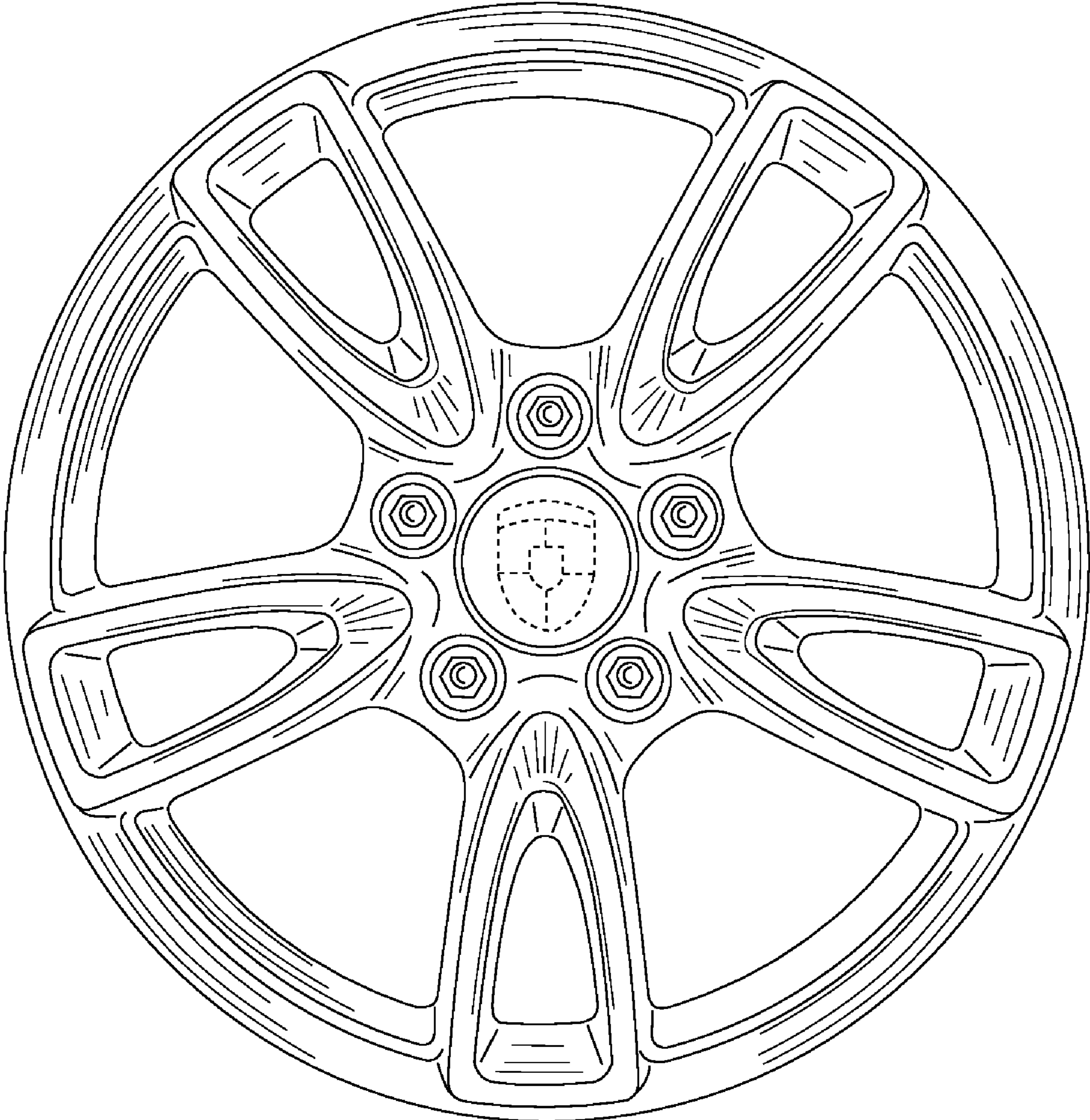


FIG. 1

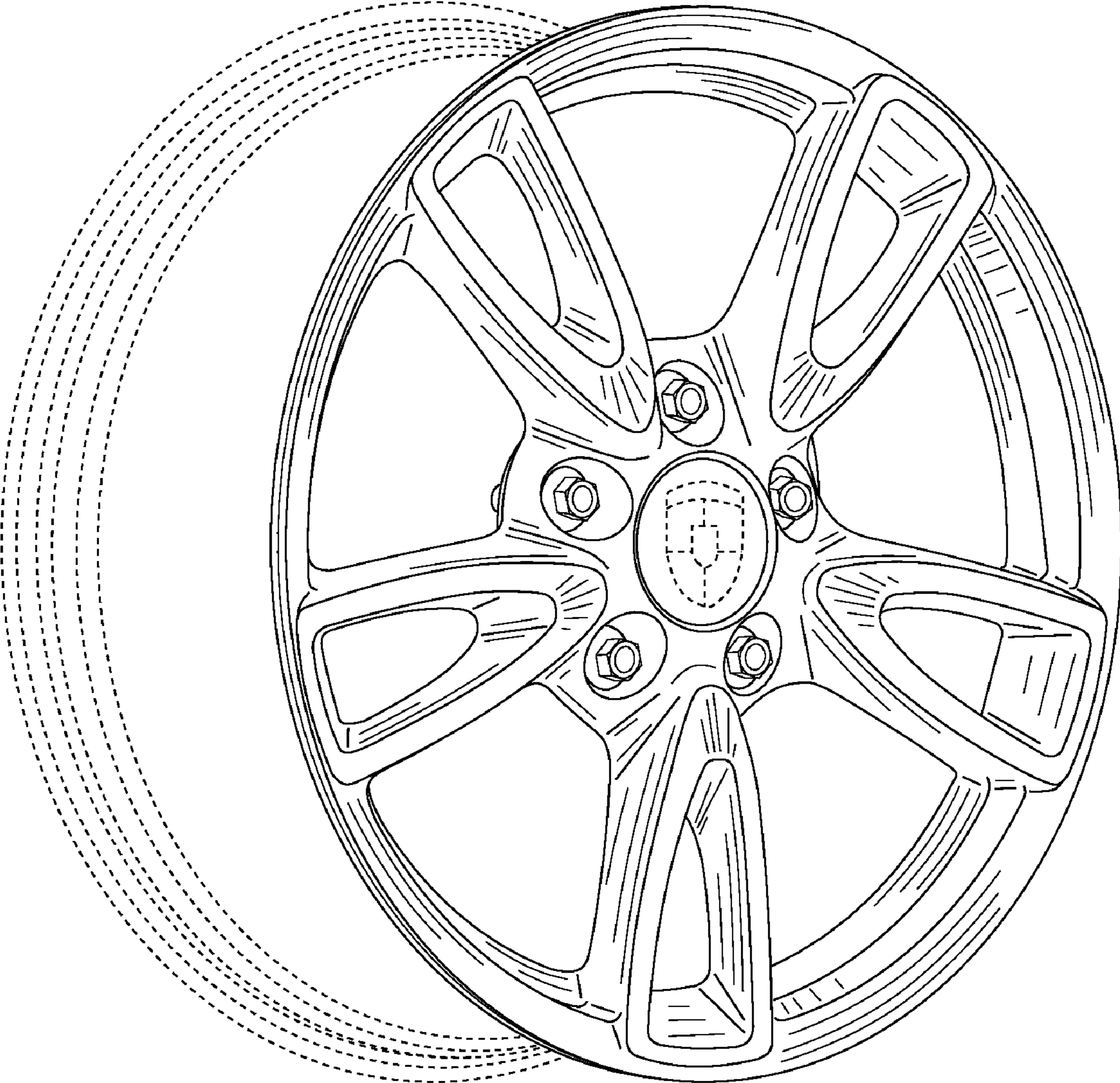


FIG. 2