

US00D609621S

(12) **United States Design Patent**
Chiang

(10) **Patent No.:** **US D609,621 S**

(45) **Date of Patent:** **** Feb. 9, 2010**

(54) **CASSETTE BODY**

(75) Inventor: **Pi-Yun Chiang**, Taichung Hsien (TW)

(73) Assignee: **Joy Industrial Co., Ltd.**, Taichung Hsien (TW)

(**) Term: **14 Years**

(21) Appl. No.: **29/311,266**

(22) Filed: **Feb. 4, 2009**

(51) **LOC (9) Cl.** **12-16**

(52) **U.S. Cl.** **D12/207**

(58) **Field of Classification Search** D12/207;
D8/499; 474/160; 301/59, 105.1; 242/578,
242/376; 192/64; 174/83; 16/2.1
See application file for complete search history.

(56) **References Cited**

U.S. PATENT DOCUMENTS

3,397,280	A *	8/1968	Klumpp, Jr.	174/153 G
3,643,290	A *	2/1972	Milne	16/2.1
D261,357	S *	10/1981	Doonan	D8/499
4,535,196	A *	8/1985	Milne	174/83
4,726,538	A *	2/1988	Kovacik et al.	242/376
4,752,652	A *	6/1988	Danti et al.	174/83
D364,841	S *	12/1995	Brannan et al.	D12/207
6,241,181	B1 *	6/2001	Campbell	242/578
7,025,186	B2 *	4/2006	Chen	192/64
D528,492	S *	9/2006	Wu	D12/207
D539,718	S *	4/2007	Asano	D12/207

7,448,979	B2 *	11/2008	Chen	475/297
D591,215	S *	4/2009	Weigand	D12/207
2006/0040776	A1 *	2/2006	Hansen	474/160
2006/0170277	A1 *	8/2006	Passarotto et al.	301/59
2007/0170033	A1 *	7/2007	French	192/64
2008/0036288	A1 *	2/2008	Lund	301/105.1

* cited by examiner

Primary Examiner—Cathron C Brooks

Assistant Examiner—Austin Murphy

(74) *Attorney, Agent, or Firm*—Rosenberg, Klein & Lee

(57) **CLAIM**

The ornamental design for a cassette body, as shown and described.

DESCRIPTION

FIG. 1 is a perspective view of a cassette body showing my new design;

FIG. 2 is a left side elevational view thereof;

FIG. 3 is a right side elevational view thereof;

FIG. 4 is a rear elevational view thereof;

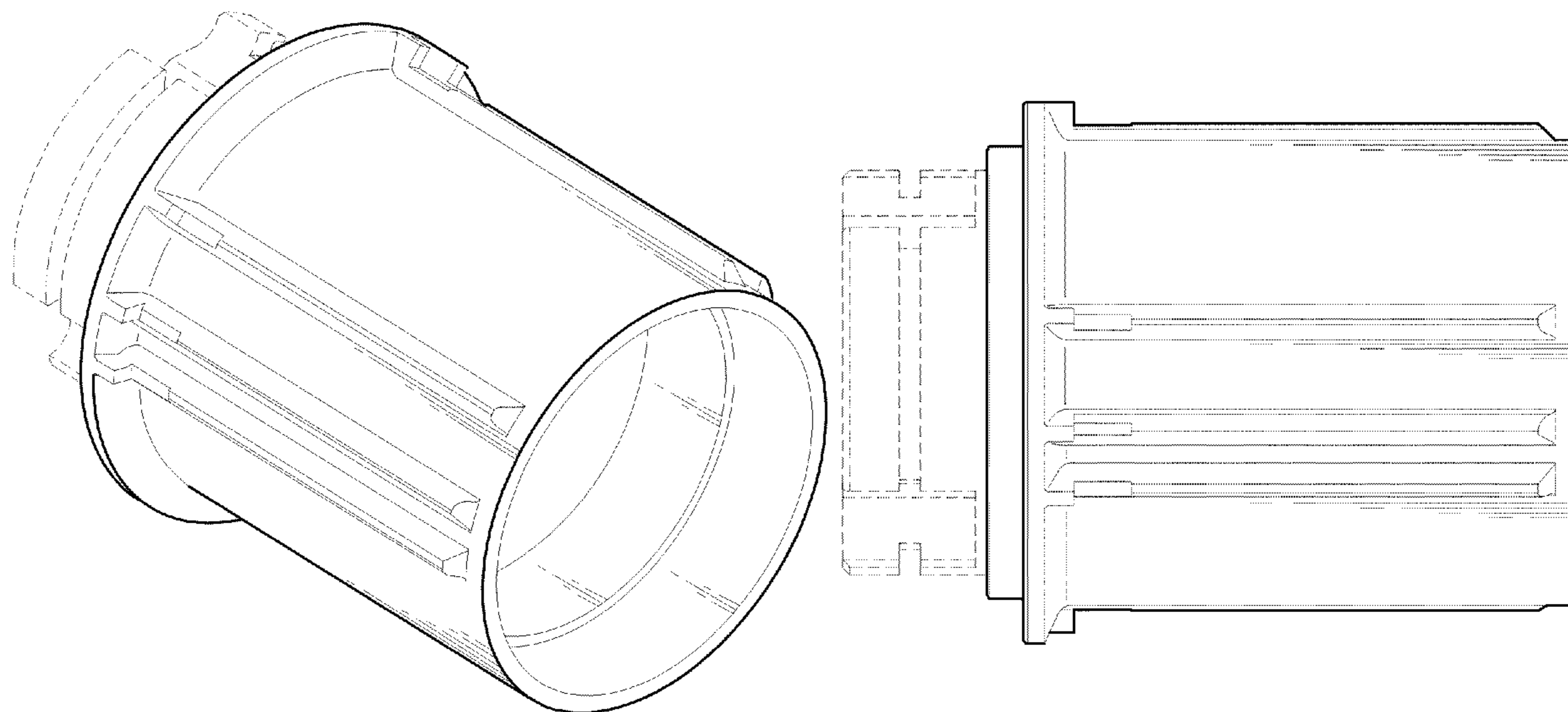
FIG. 5 is a front elevational view thereof;

FIG. 6 is a bottom plan view thereof; and,

FIG. 7 is a top plan view thereof.

The broken line portion of the figure drawings is included to show unclaimed subject matter only and forms no part of the claimed design.

1 Claim, 7 Drawing Sheets



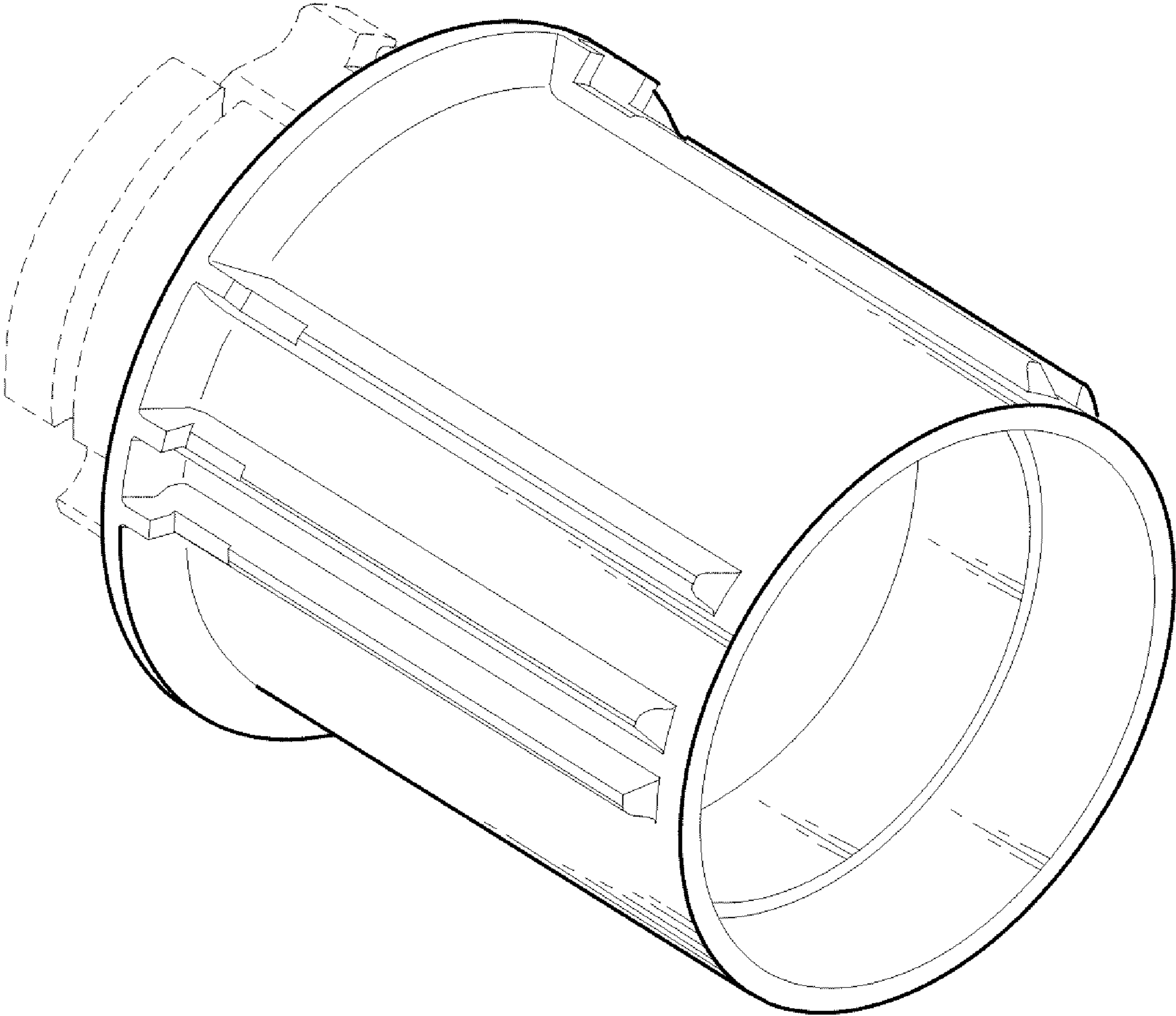


FIG. 1

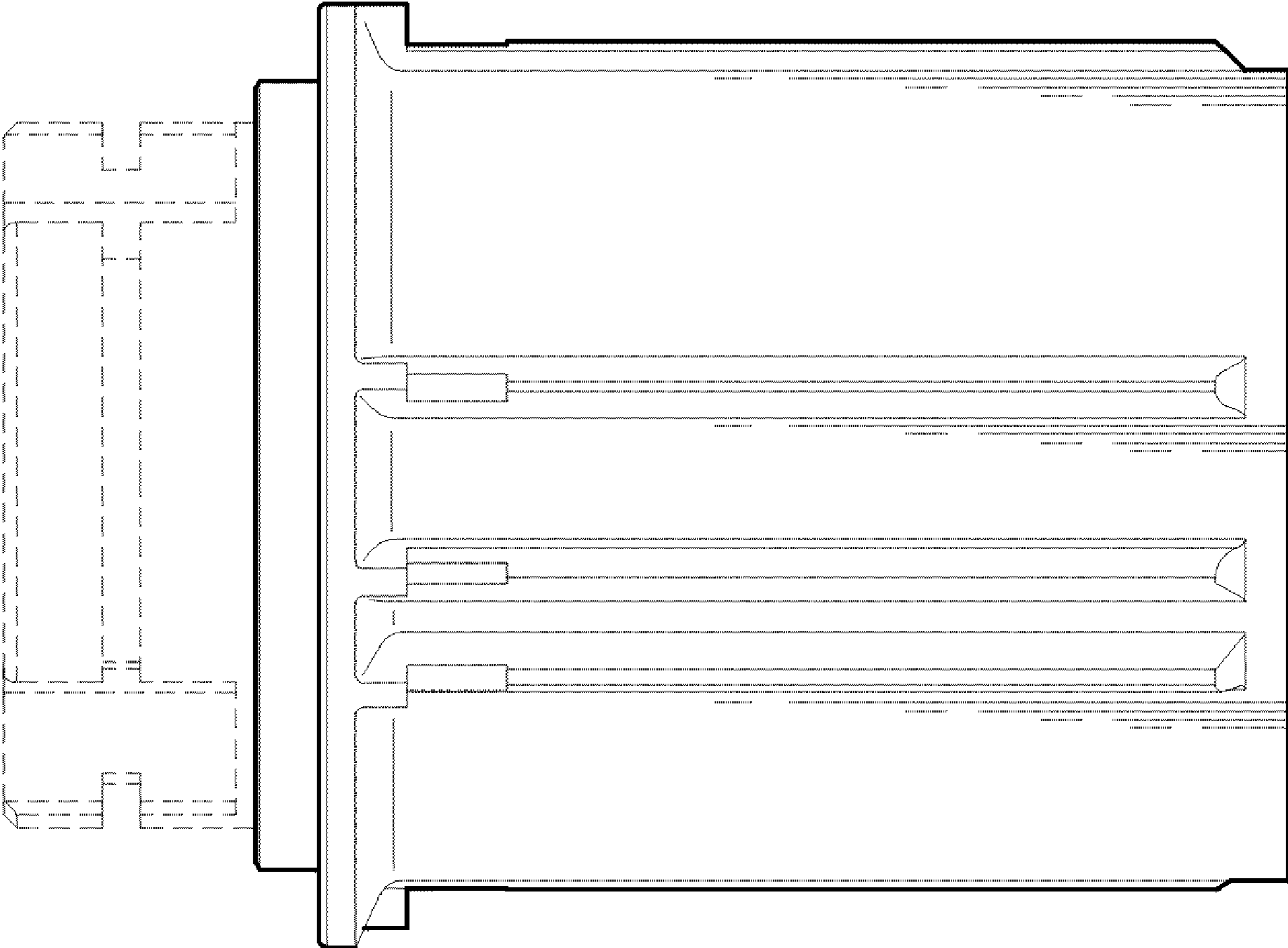


FIG. 2

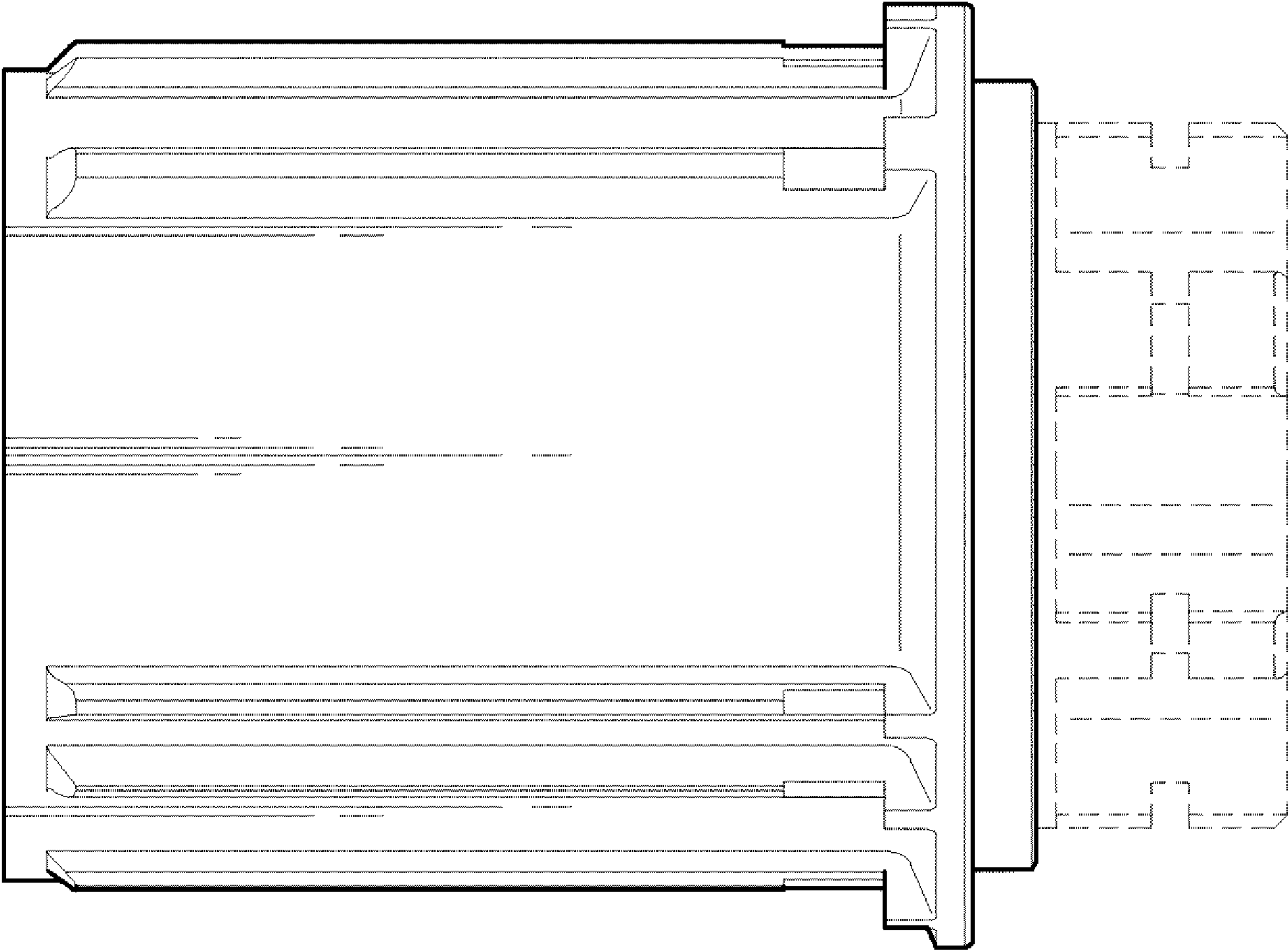


FIG. 3

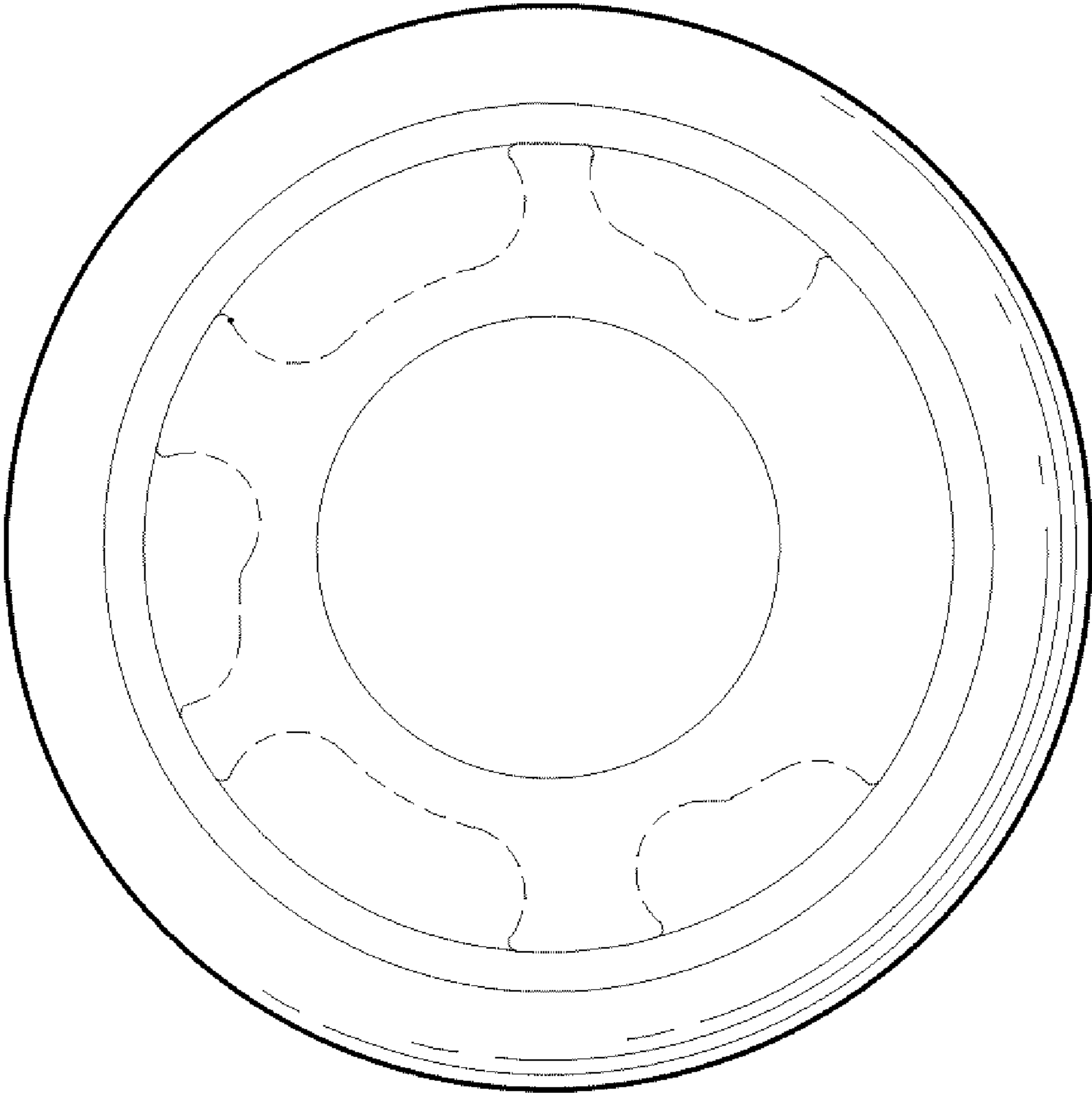


FIG. 4

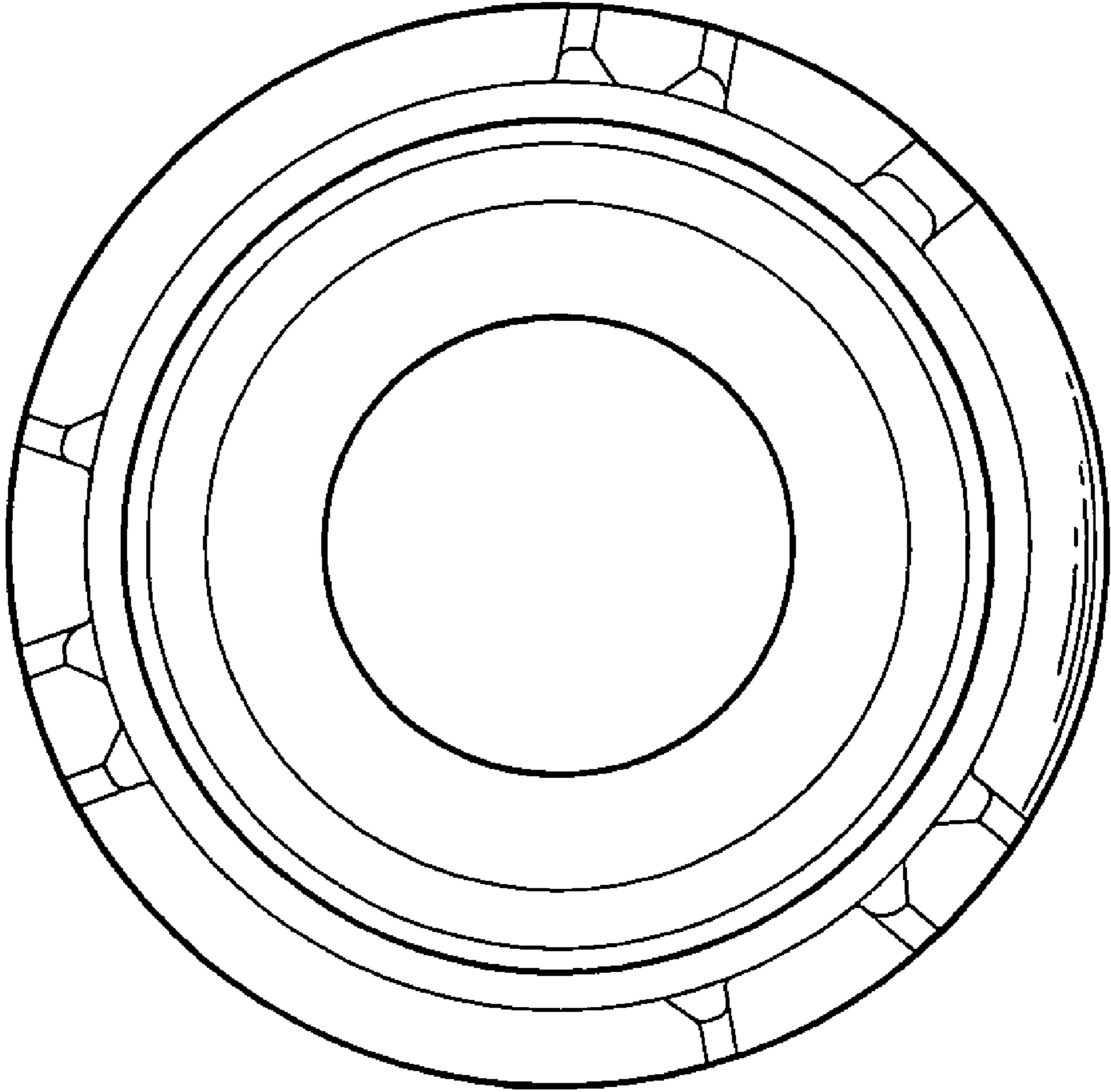


FIG. 5

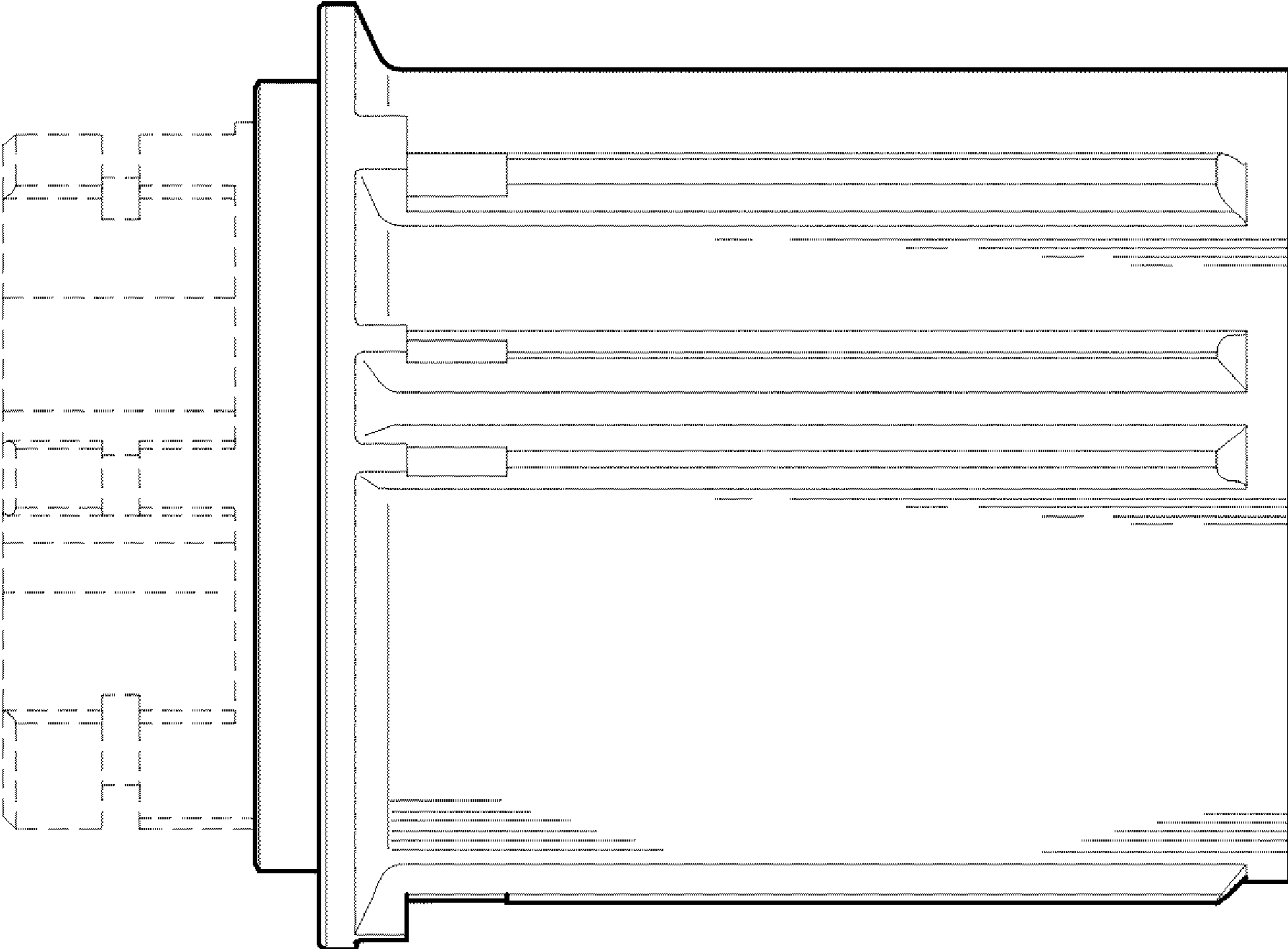


FIG. 6

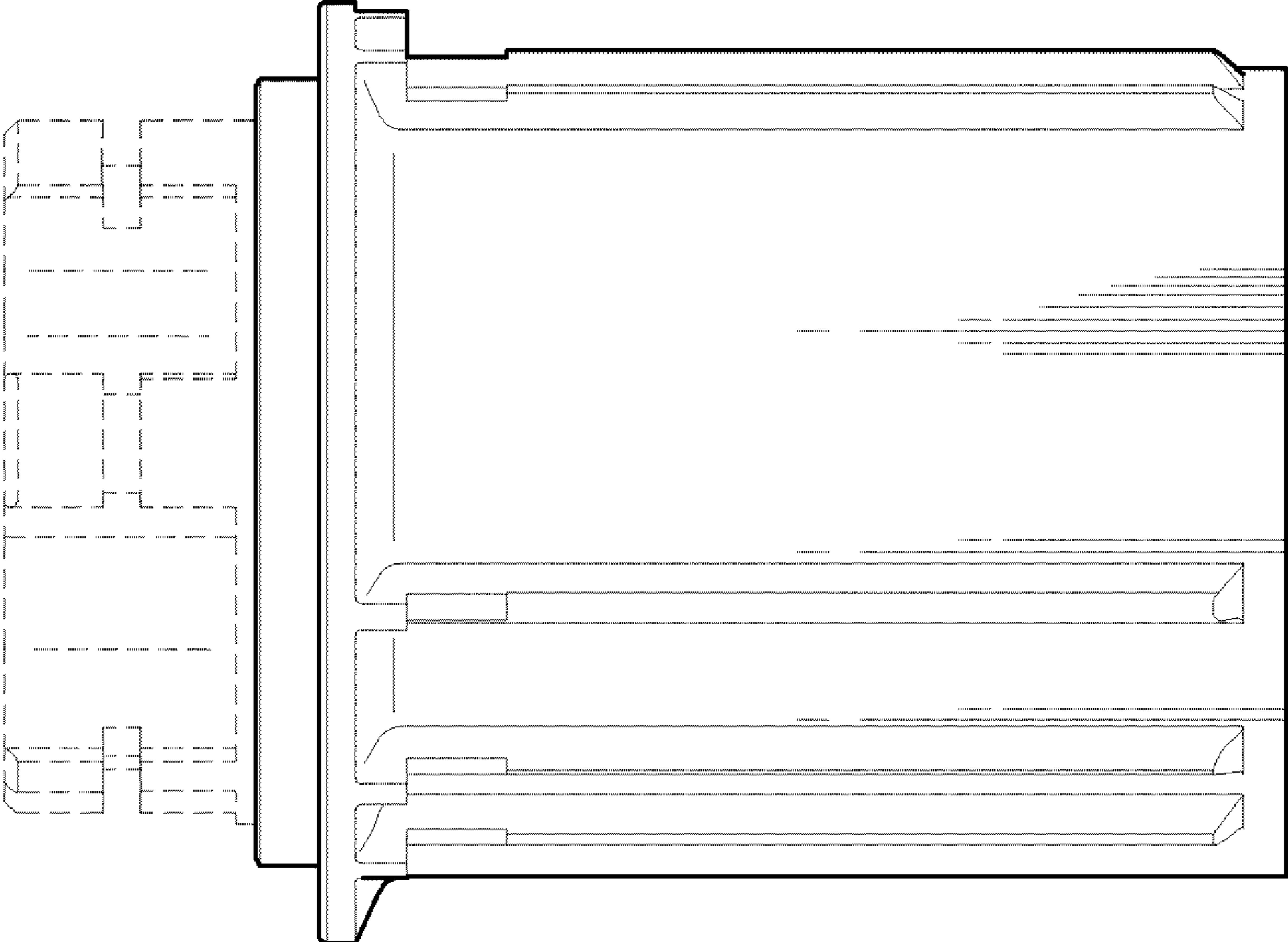


FIG. 7