



US00D609619S

(12) **United States Design Patent**
Newbill

(10) **Patent No.:** **US D609,619 S**

(45) **Date of Patent:** **** Feb. 9, 2010**

(54) **SPARE TIRE CARRIER ASSEMBLY**

(76) Inventor: **Anthony J. Newbill**, 3045 W. Cantel Ct.,
Wickenburg, AZ (US) 85390

(**) Term: **14 Years**

(21) Appl. No.: **29/342,677**

(22) Filed: **Aug. 28, 2009**

Related U.S. Application Data

(63) Continuation-in-part of application No. 29/278,144,
filed on Mar. 20, 2000, now abandoned, and a continu-
ation-in-part of application No. 29/331,158, filed on
Jan. 21, 2009, and a continuation-in-part of application
No. 29/331,166, filed on Jan. 21, 2009.

(51) **LOC (9) Cl.** **12-16**

(52) **U.S. Cl.** **D12/202**

(58) **Field of Classification Search** D12/202;
141/462-466, 400; 296/146.11; 362/496,
362/500, 505, 320, 42, 540-541; 224/503-509,
224/42.21, 42.24, 42.28, 517, 519-520, 488-489
See application file for complete search history.

(56) **References Cited**

U.S. PATENT DOCUMENTS

D424,005 S * 5/2000 Henry D12/202
D473,835 S * 4/2003 Roehmer et al. D12/202
6,659,318 B2 * 12/2003 Newbill 224/503
D505,649 S * 5/2005 Kenney D12/202
6,923,351 B2 * 8/2005 Roehmer et al. 224/42.21

D562,206 S * 2/2008 Newbill D12/202

* cited by examiner

Primary Examiner—Stacia Cadmus

(74) *Attorney, Agent, or Firm*—Schmeiser Olsen & Watts
LLP

(57) **CLAIM**

The ornamental design for a spare tire carrier assembly, as
shown and described.

DESCRIPTION

FIG. 1 is a perspective view of a spare tire carrier assembly.

FIG. 2 is a front view of the design in FIG. 1.

FIG. 3 is a back view of the design in FIG. 1.

FIG. 4 is a left side view of the design in FIG. 1.

FIG. 5 is a right side view of the design in FIG. 1.

FIG. 6 is a top view of the design in FIG. 1.

FIG. 7 is a bottom view of the design in FIG. 1.

FIG. 8 is a perspective view of a spare tire carrier assembly,
showing a second embodiment.

FIG. 9 is a front view of the design in FIG. 8.

FIG. 10 is a back view of the design in FIG. 8.

FIG. 11 is a left side view of the design in FIG. 8.

FIG. 12 is a right side view of the design in FIG. 8.

FIG. 13 is a top view of the design in FIG. 8; and,

FIG. 14 is a bottom view of the design in FIG. 8.

1 Claim, 10 Drawing Sheets

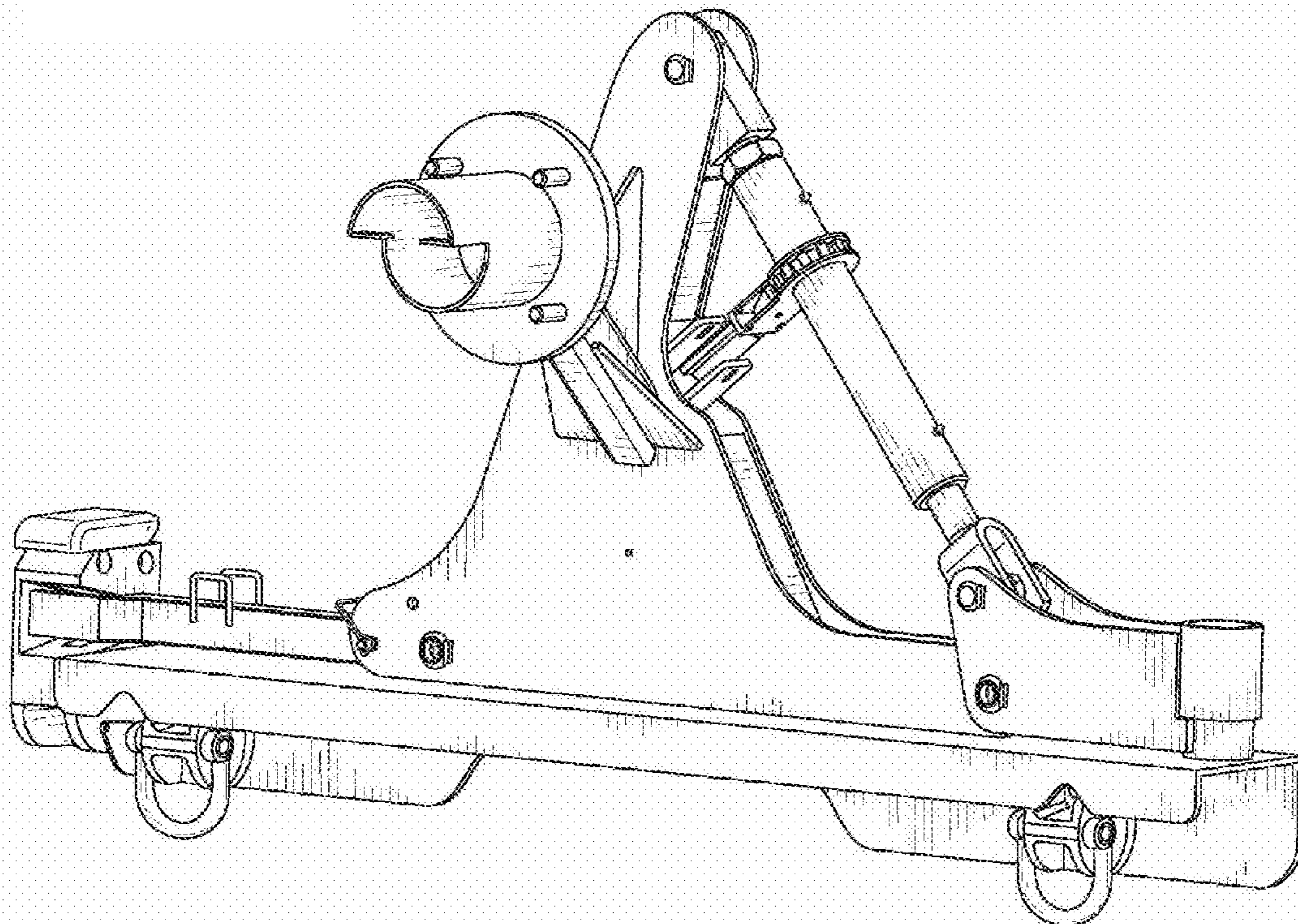
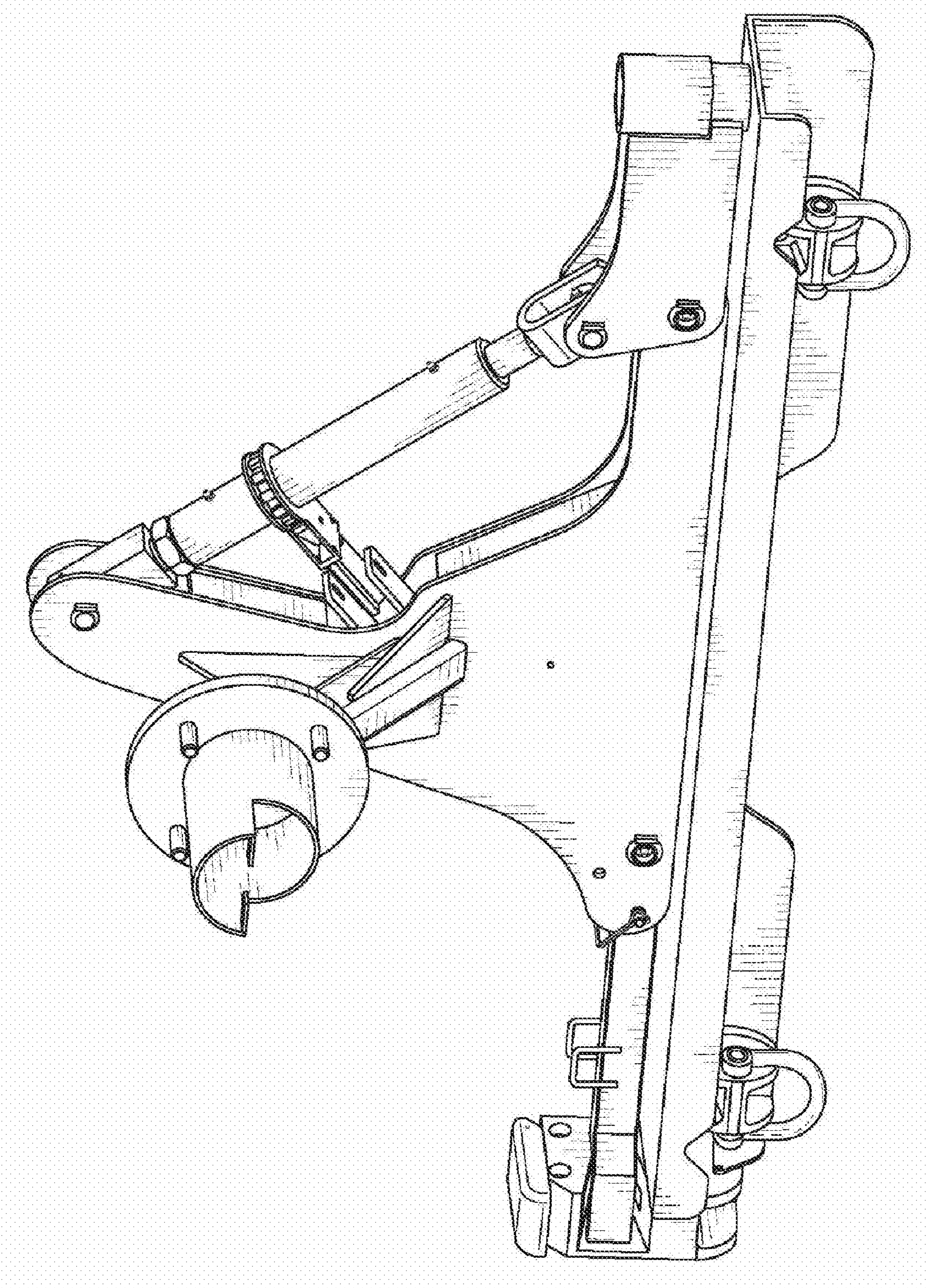


FIG. 1



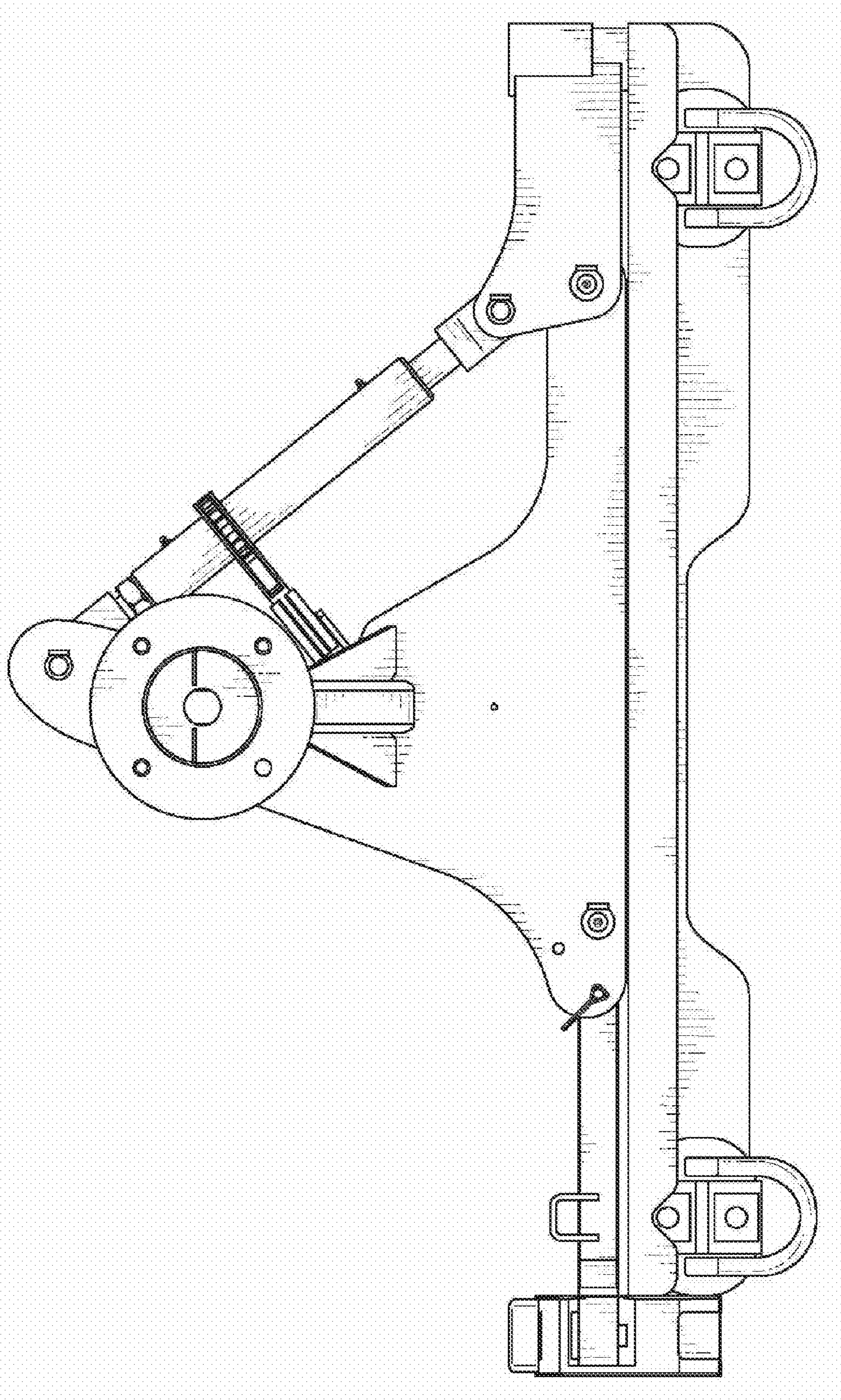


FIG. 2

FIG. 3

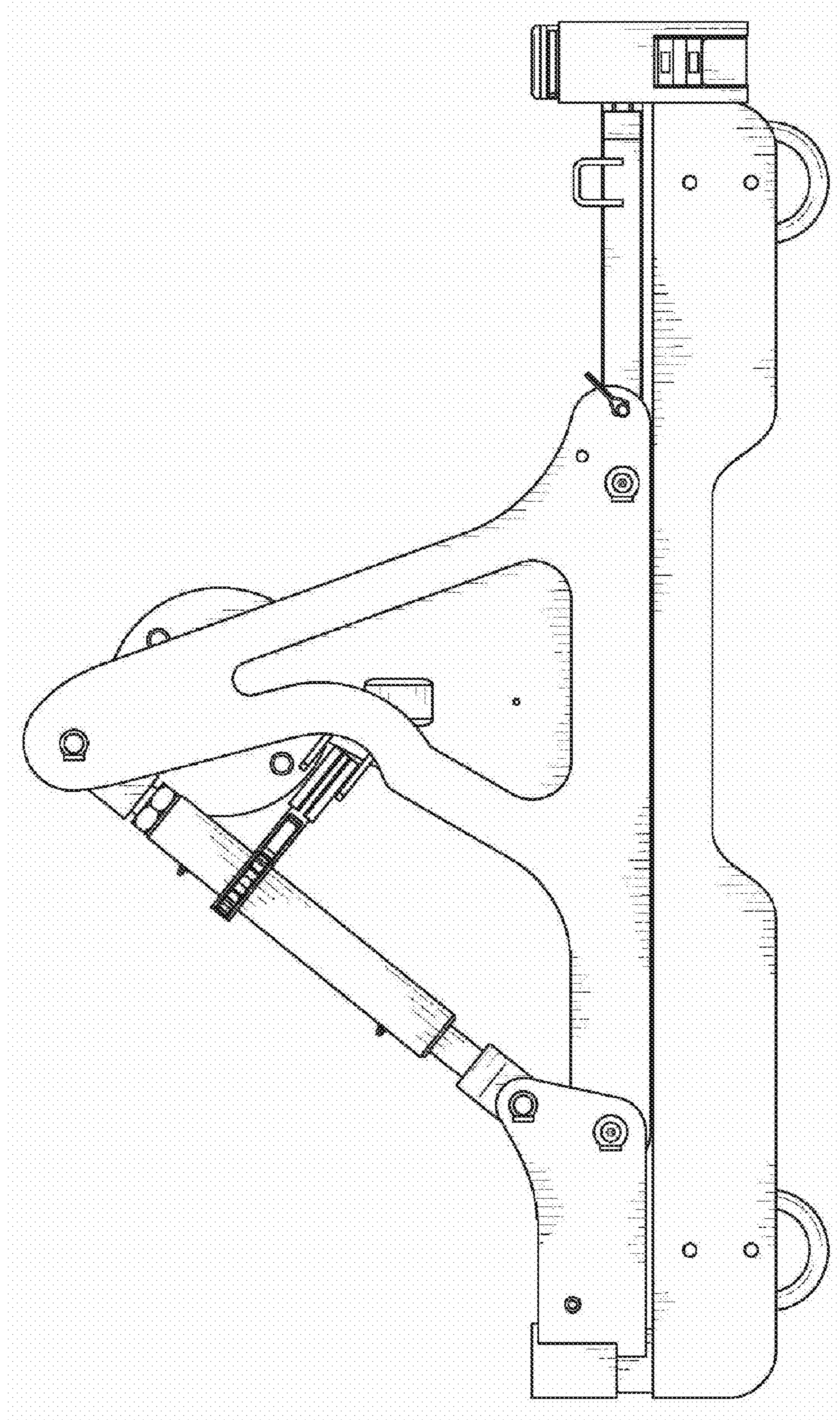


FIG. 5

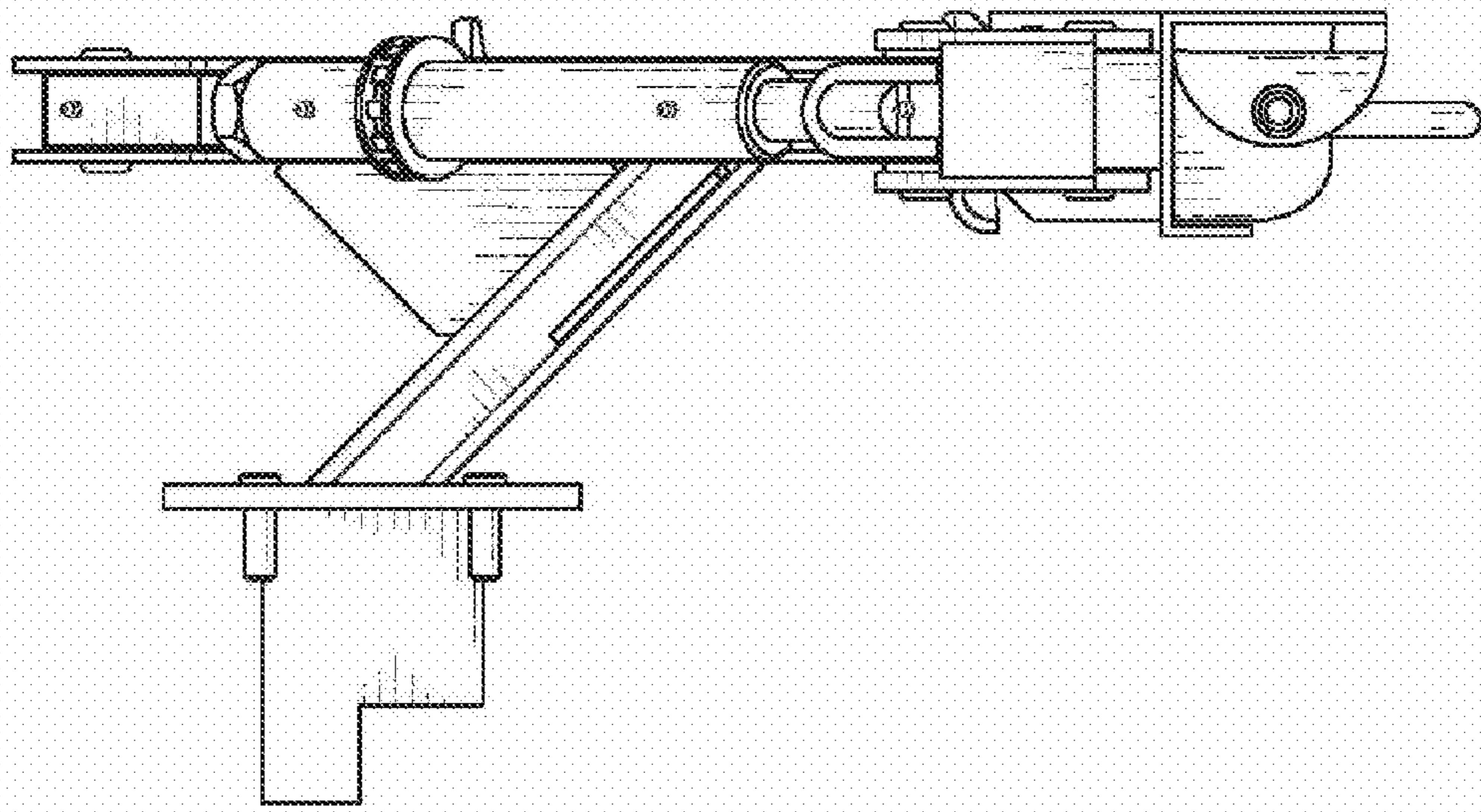


FIG. 4

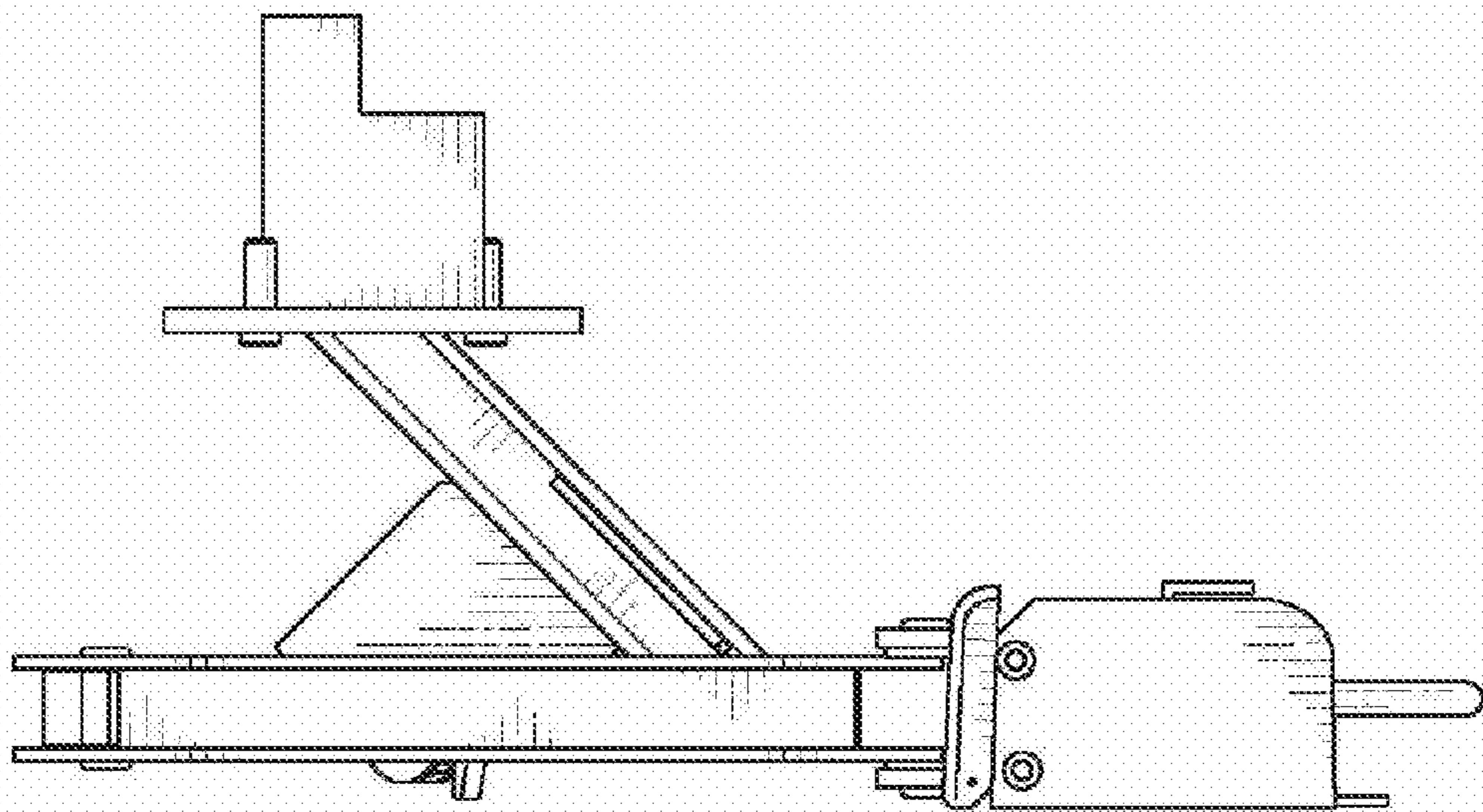


FIG. 6

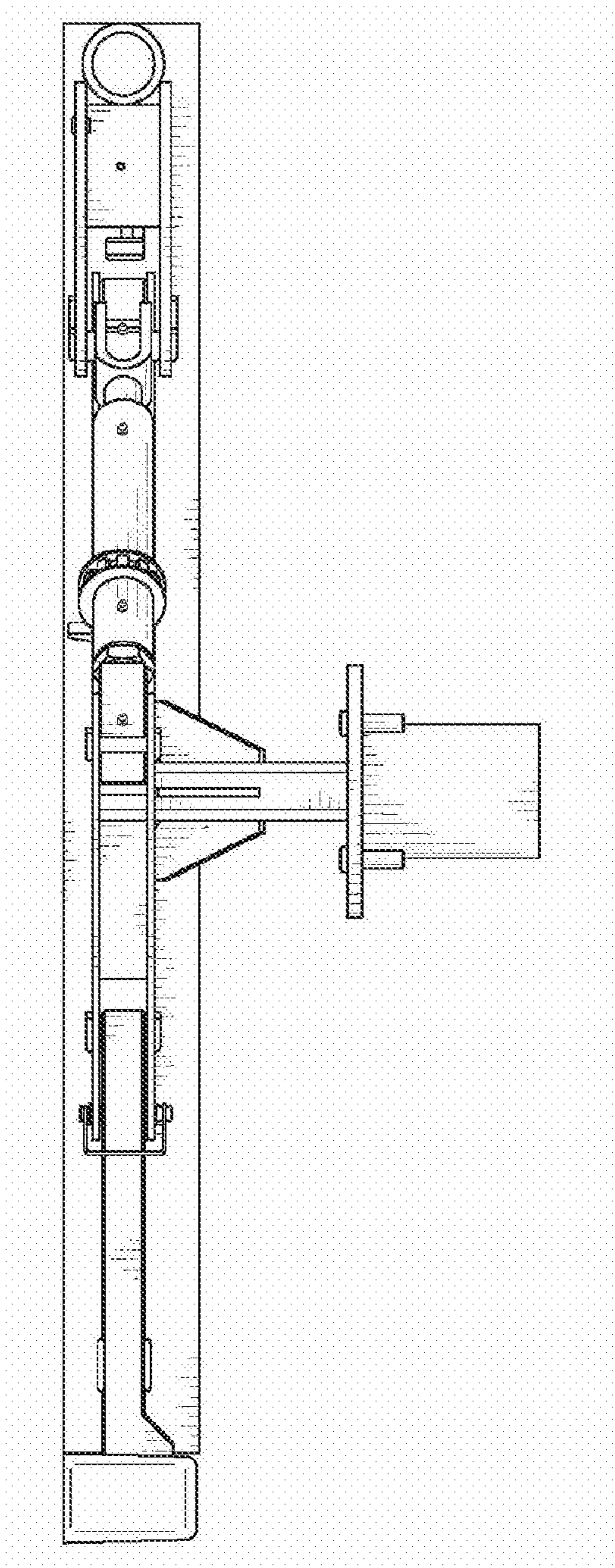
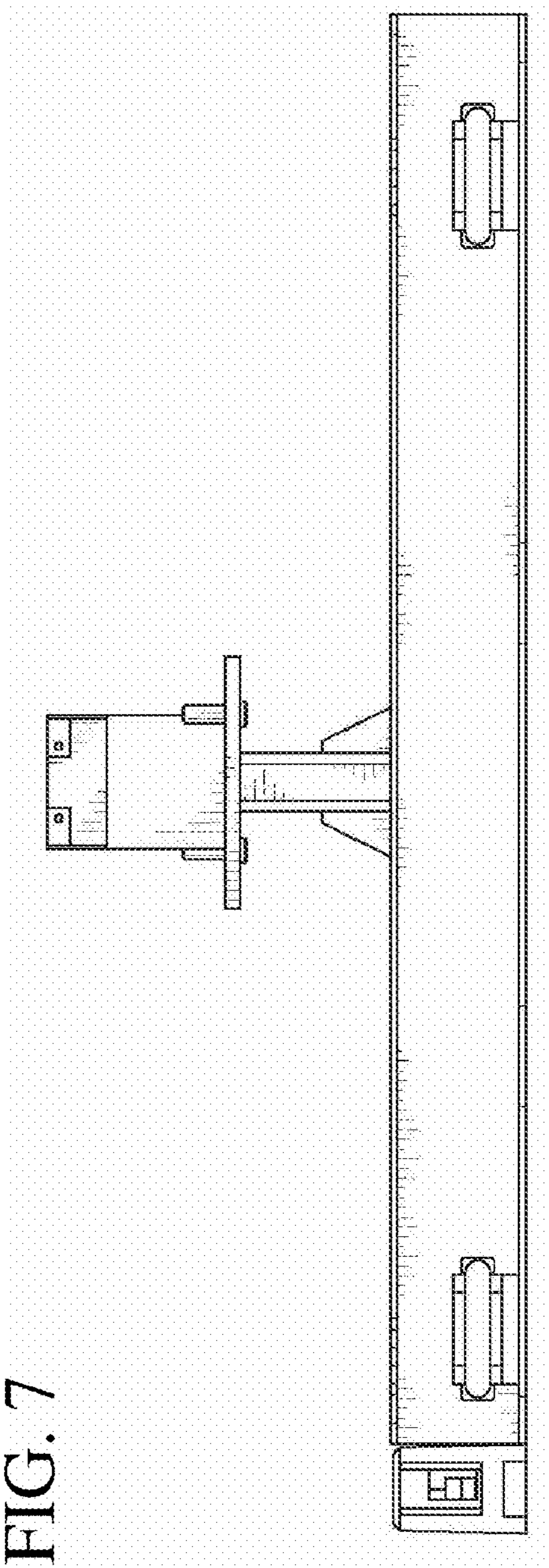


FIG. 7



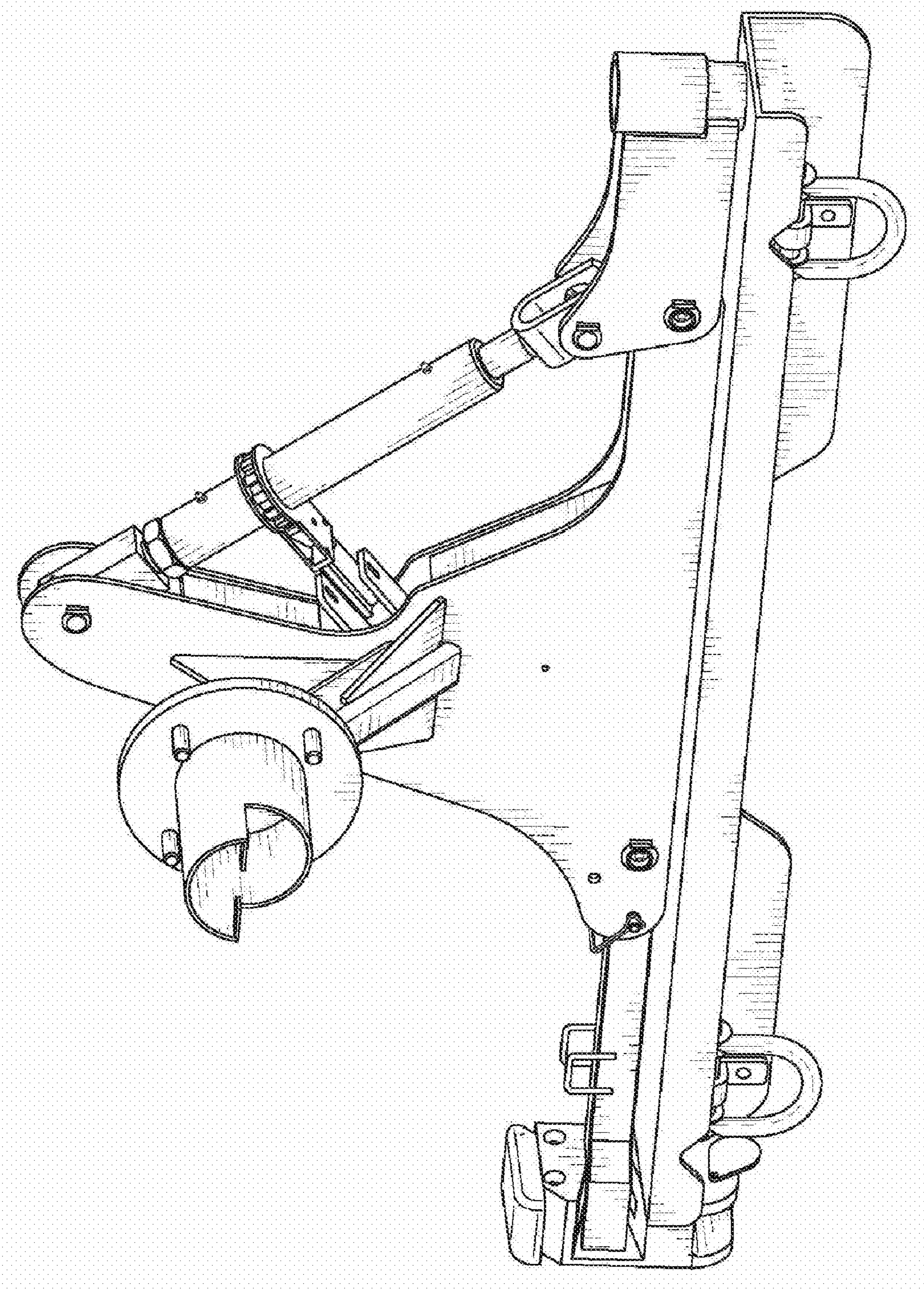


FIG. 8

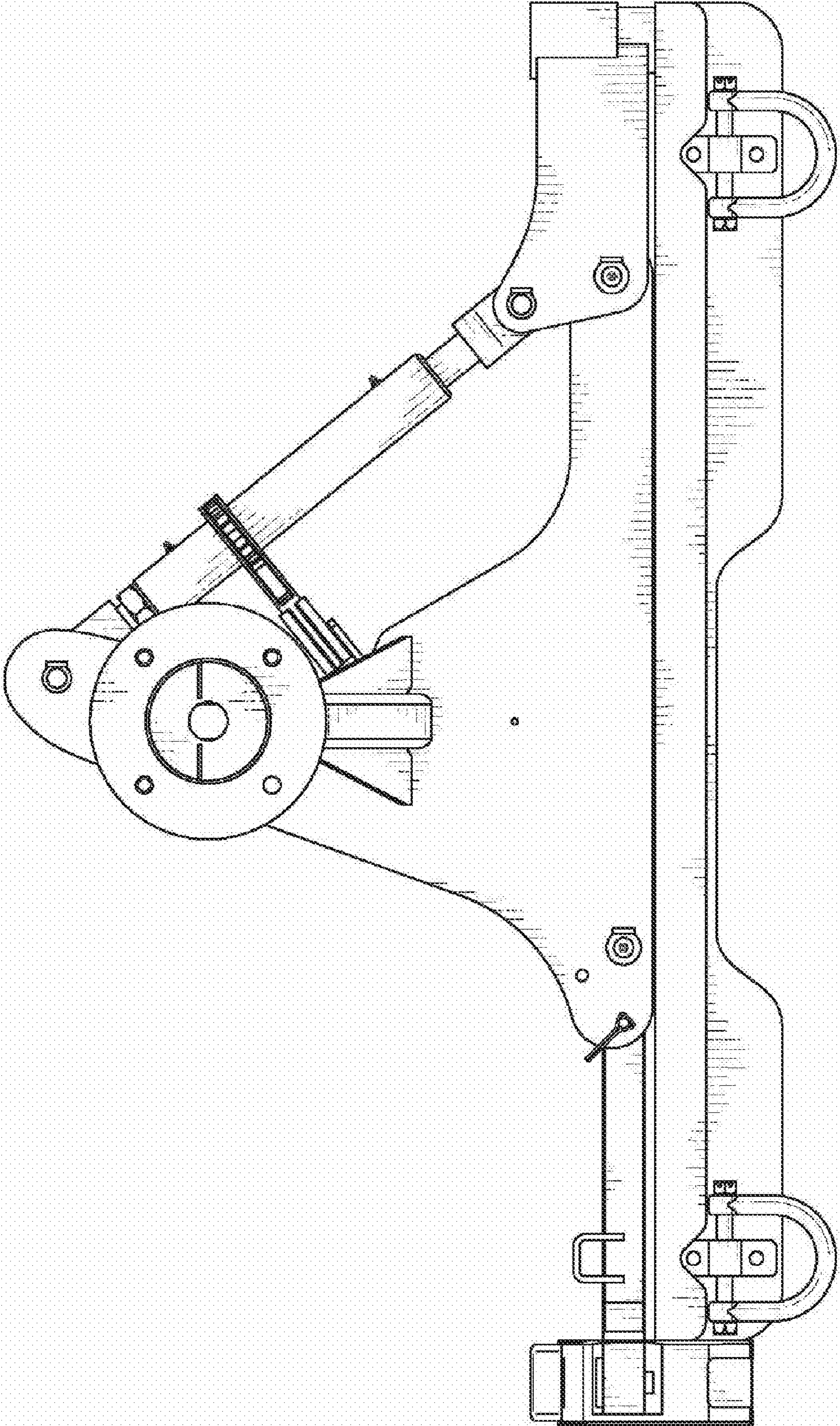


FIG. 9

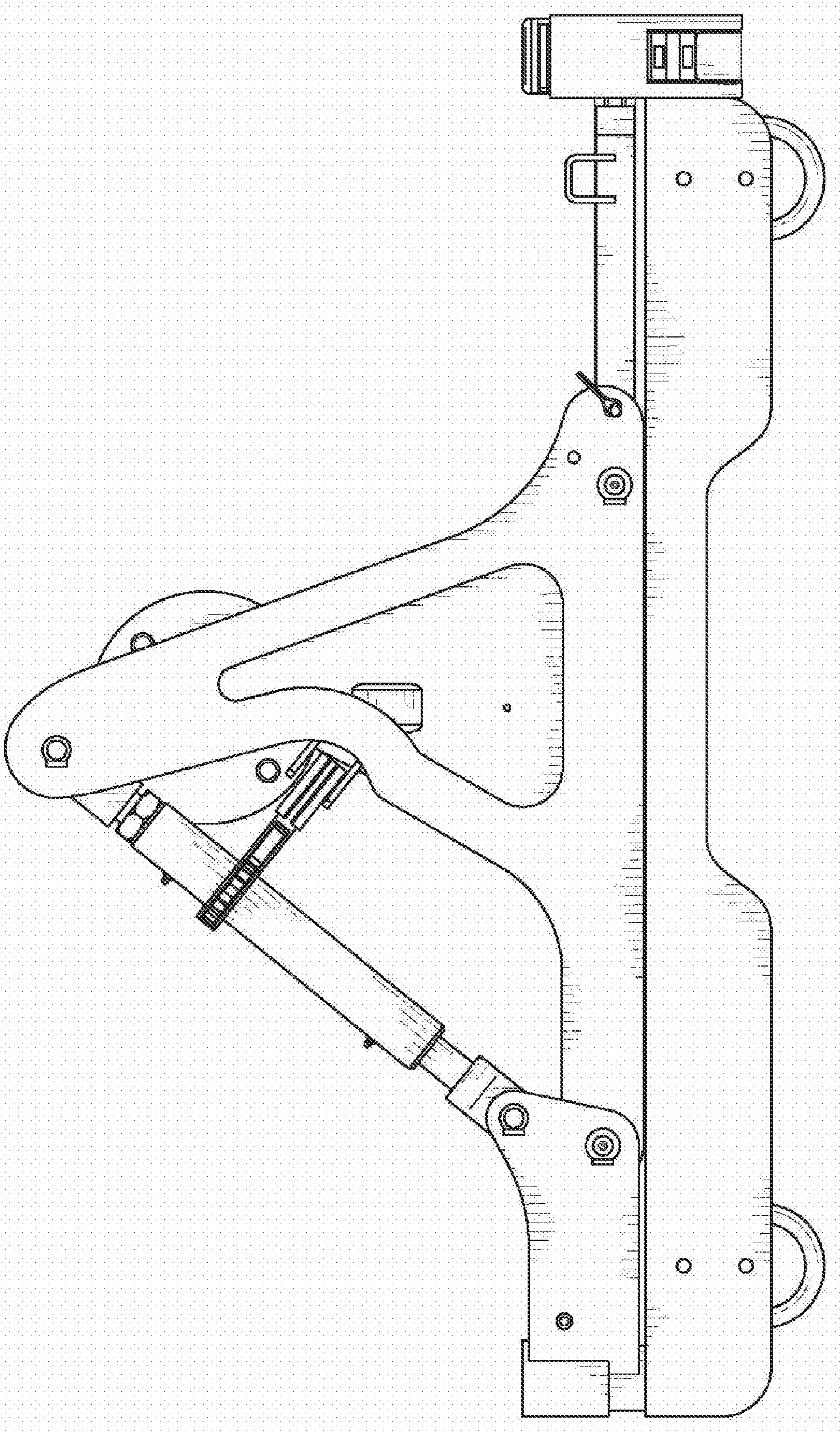


FIG. 10

FIG. 12

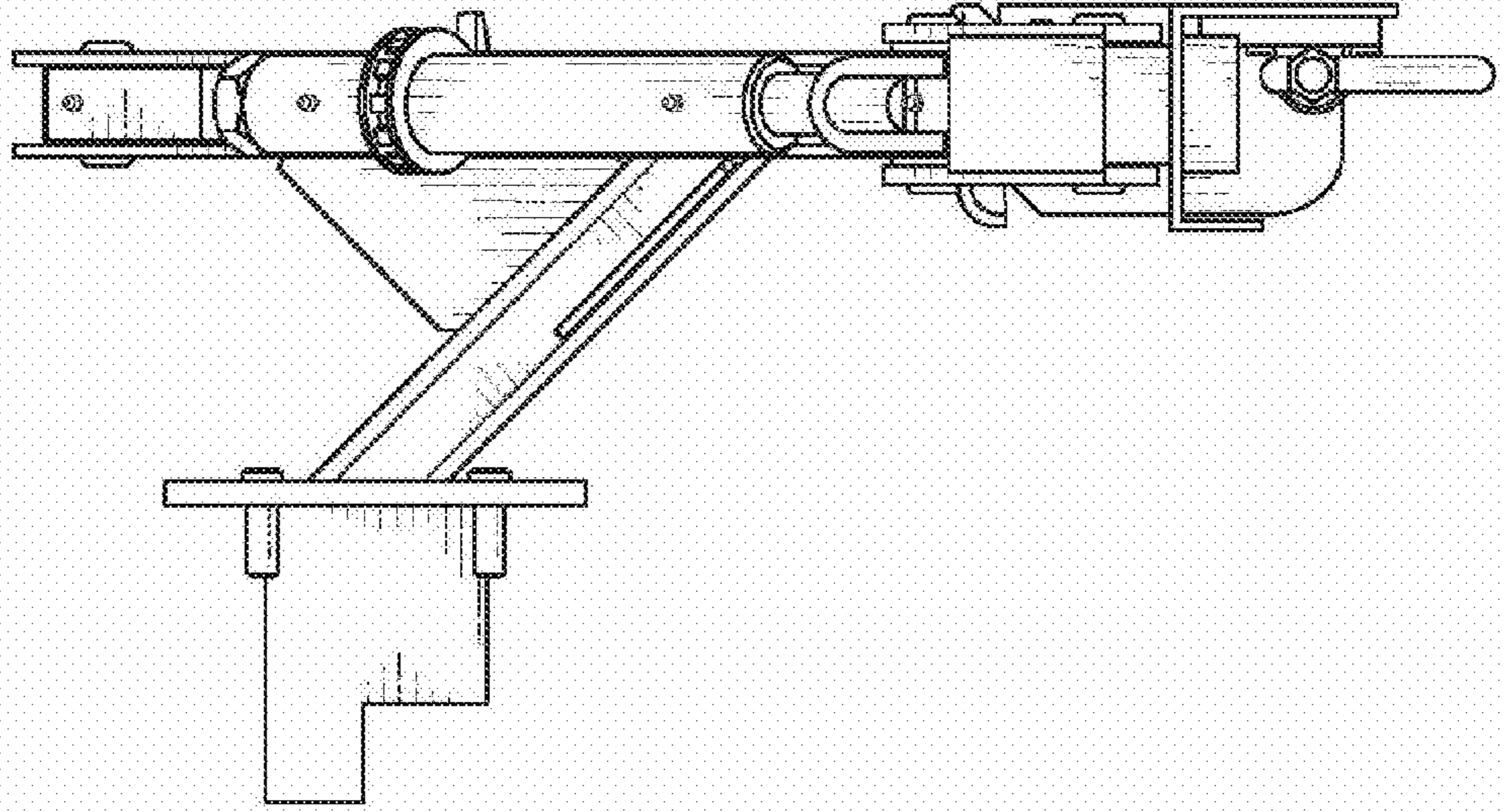


FIG. 11

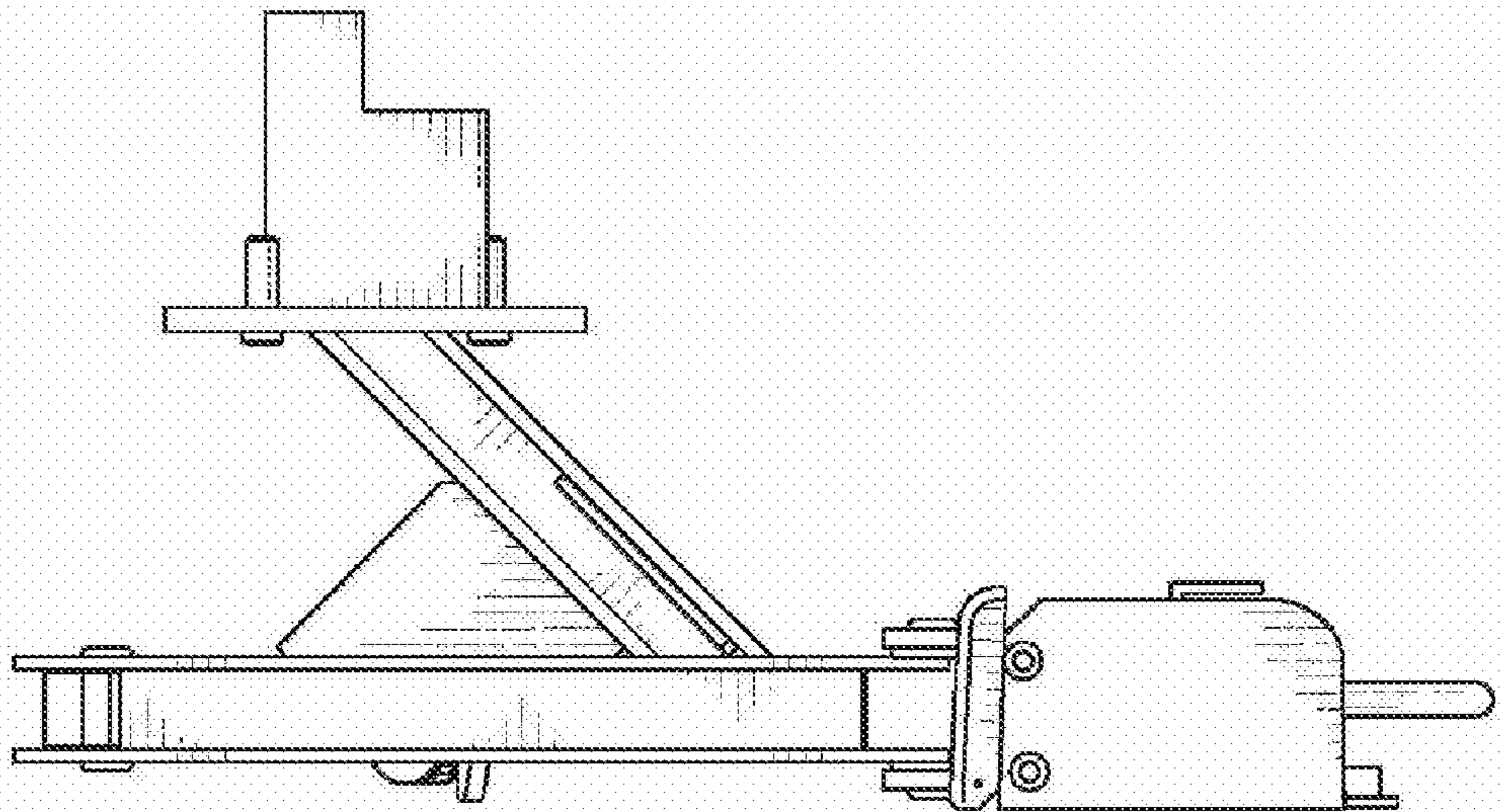


FIG. 13

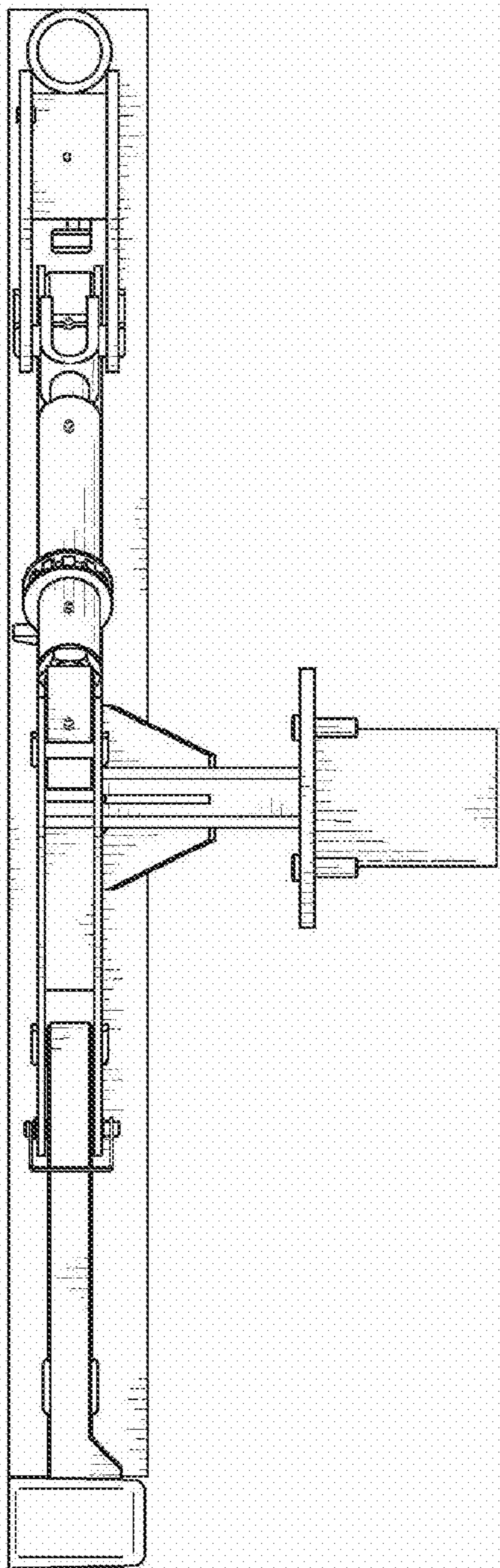


FIG. 14

