



US00D609614S

(12) **United States Design Patent**
Okue et al.

(10) **Patent No.:** **US D609,614 S**
(45) **Date of Patent:** **** Feb. 9, 2010**

(54) **REAR BUMPER FOR AN AUTOMOBILE**

(75) Inventors: **Masaki Okue**, Toyota (JP); **Sotiris Kovos**, Cyprus (GR)

(73) Assignee: **Toyota Jidosha Kabushiki Kaisha**, Toyota (JP)

(**) Term: **14 Years**

(21) Appl. No.: **29/334,840**

(22) Filed: **Apr. 2, 2009**

(30) **Foreign Application Priority Data**

Dec. 25, 2008 (JP) 2008-032901

(51) **LOC (9) Cl.** **12-16**

(52) **U.S. Cl.** **D12/169**

(58) **Field of Classification Search** D12/169,
D12/196, 171, 216, 163, 86, 90-92; 293/102,
293/113, 115, 117, 120; 296/180.1, 180.2
See application file for complete search history.

(56) **References Cited**

U.S. PATENT DOCUMENTS

D476,928 S 7/2003 Boyer
D495,630 S 9/2004 Pfeiffer et al.
D500,716 S 1/2005 Hosoda et al.
D502,900 S 3/2005 Ikuma
D522,937 S 6/2006 Tada

D561,070 S * 2/2008 Gresens et al. D12/169
D561,071 S * 2/2008 Golden et al. D12/169
D563,291 S 3/2008 Nishihama et al.
D566,017 S * 4/2008 Pfeiffer D12/169
D570,752 S 6/2008 Hirose et al.
D585,002 S * 1/2009 Tamura D12/169
D592,570 S * 5/2009 Lamm D12/169

OTHER PUBLICATIONS

Brochure of Altezza, Oct. 2001.
Catalogue of Toyota Prius, Toyota, Jun. 2006.

* cited by examiner

Primary Examiner—Melody N Brown

(74) *Attorney, Agent, or Firm*—Finnegan, Henderson, Farabow, Garrett & Dunner, LLP

(57) **CLAIM**

The ornamental design for a rear bumper for an automobile, as shown and described.

DESCRIPTION

FIG. 1 is a front perspective view of a rear bumper for an automobile of our new design;

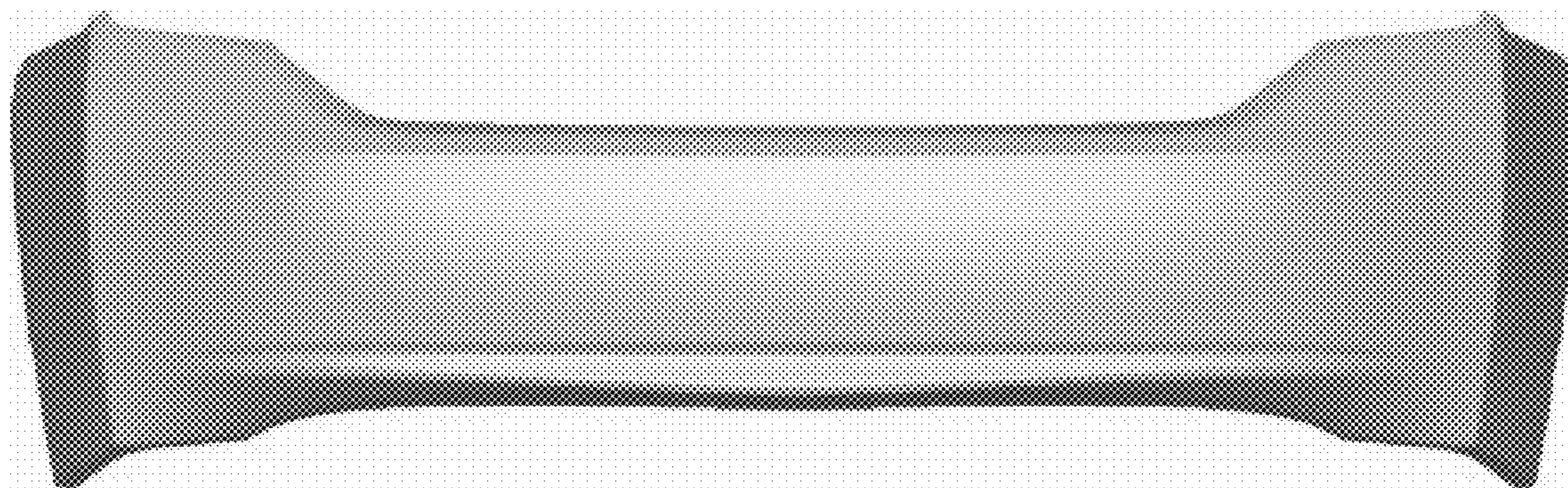
FIG. 2 is front view thereof;

FIG. 3 is a top plan view thereof;

FIG. 4 is a bottom plan view thereof; and,

FIG. 5 is a left side view thereof, the right side view being a mirror image thereof.

1 Claim, 3 Drawing Sheets



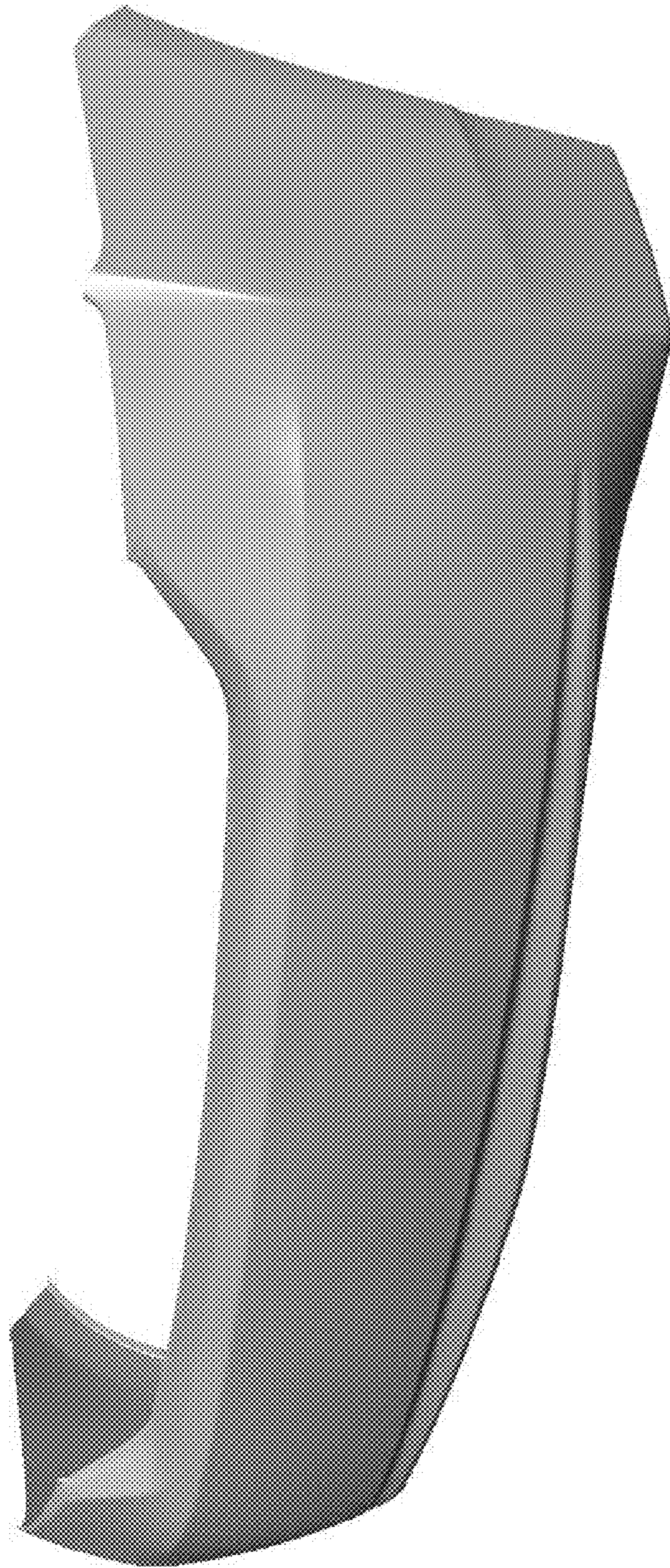


FIG. 1

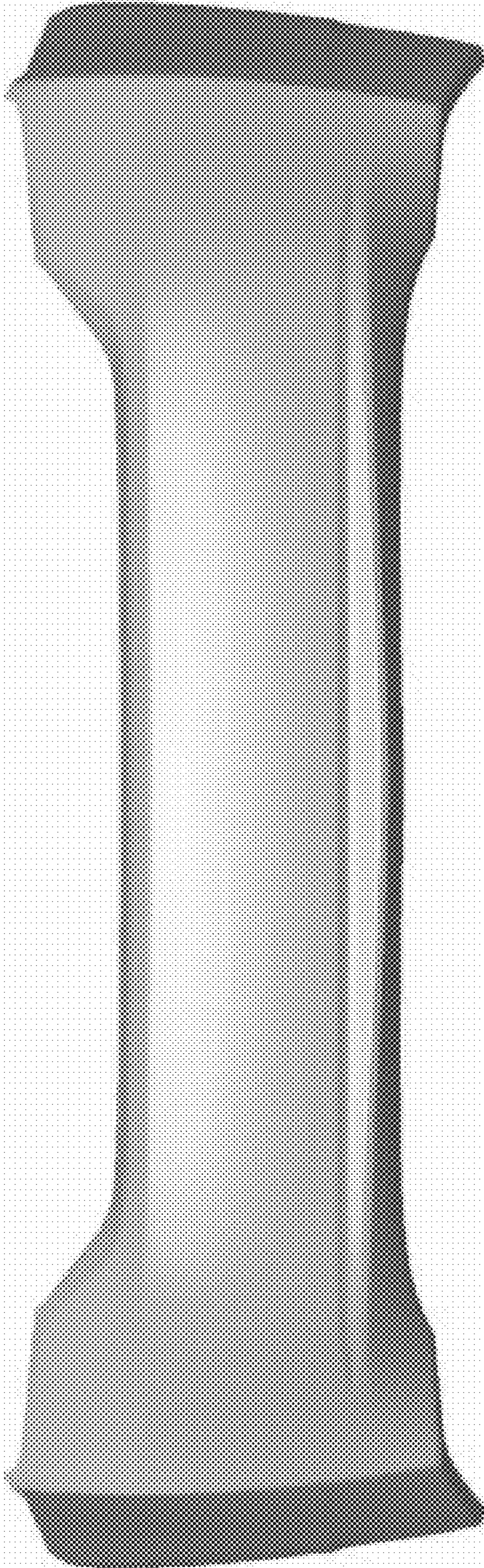


FIG. 2

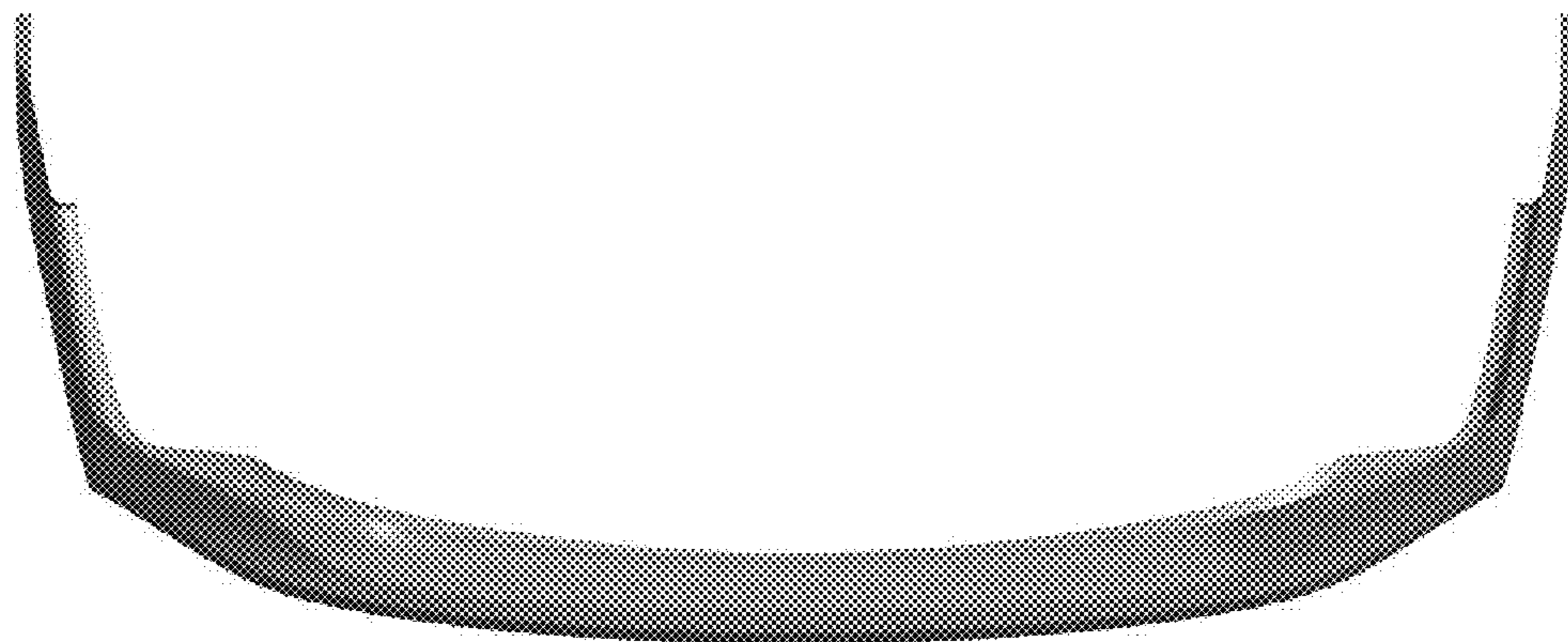


FIG. 3

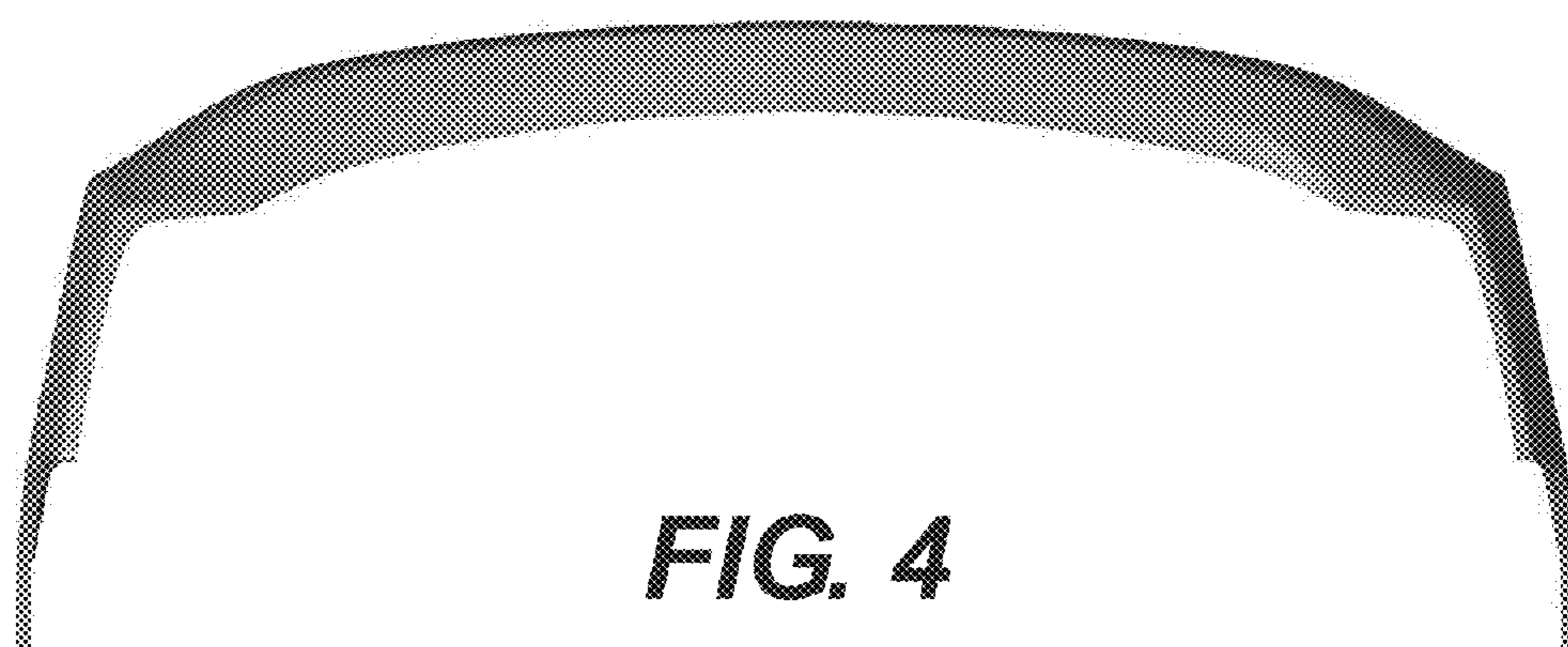


FIG. 4

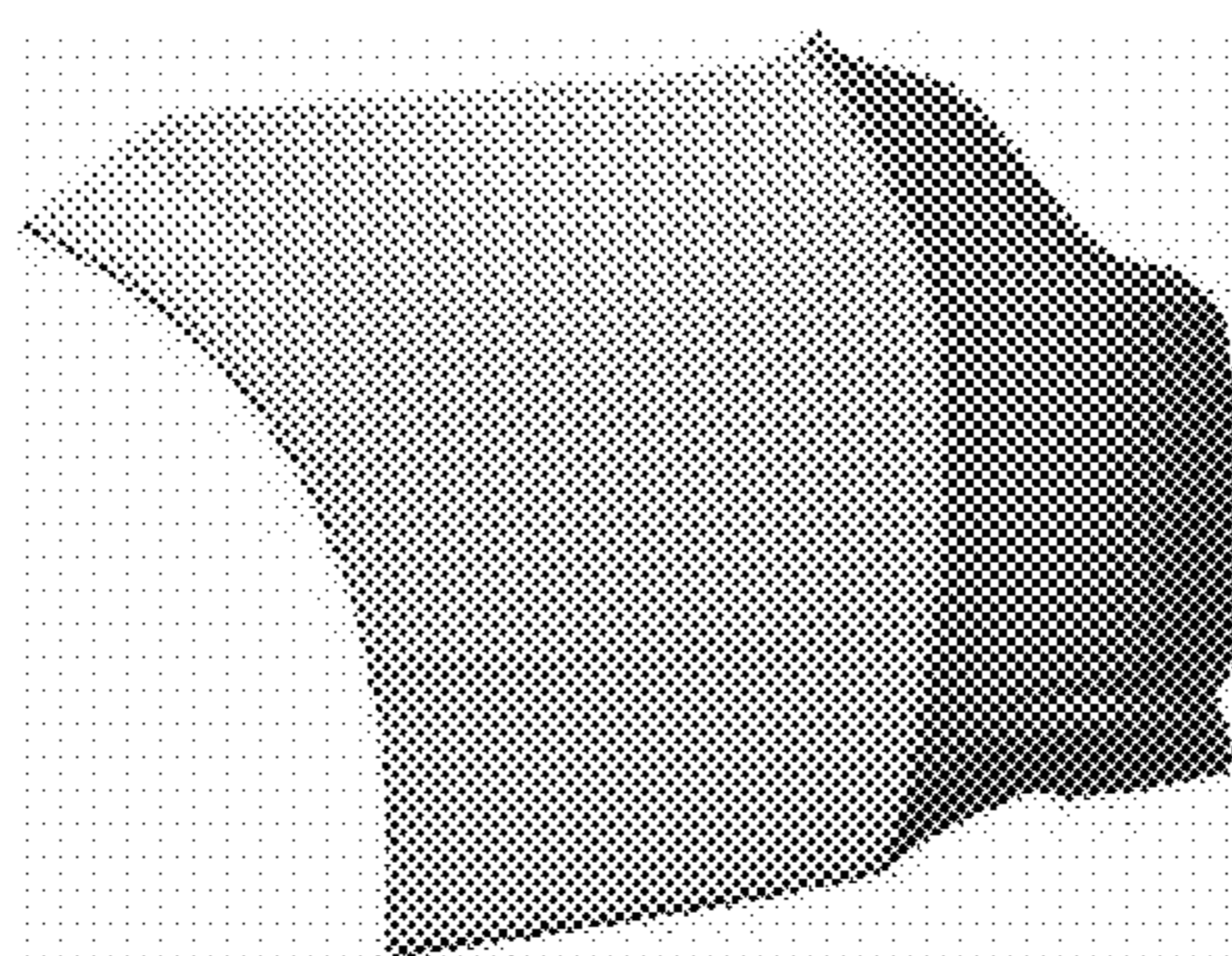


FIG. 5