



US00D609609S

(12) **United States Design Patent**
Hayashi et al.

(10) **Patent No.:** **US D609,609 S**
(45) **Date of Patent:** **** Feb. 9, 2010**

(54) **MOTORCYCLE OR MOTORCYCLE
REPLICA**

(75) Inventors: **Kazuhito Hayashi**, Wako (JP); **Daisuke Soeno**, Wako (JP)

(73) Assignee: **Honda Motor Co., Ltd.**, Tokyo (JP)

(**) Term: **14 Years**

(21) Appl. No.: **29/325,337**

(22) Filed: **Sep. 29, 2008**

(30) **Foreign Application Priority Data**

Mar. 31, 2008 (JP) 2008-008114

(51) **LOC (9) Cl.** **12-11**

(52) **U.S. Cl.** **D12/110**

(58) **Field of Classification Search** D12/110;
180/219, 220, 225, 229

See application file for complete search history.

(56) **References Cited**

U.S. PATENT DOCUMENTS

D270,047 S *	8/1983	Kataoka et al.	D12/110
D273,854 S *	5/1984	Ishiyama	D12/110
D384,600 S *	10/1997	Miwa et al.	D12/110
D384,601 S *	10/1997	Hiruma et al.	D12/110
D385,226 S *	10/1997	Mogi et al.	D12/110
D387,017 S *	12/1997	Wakita et al.	D12/110
D395,849 S *	7/1998	Maruyama et al.	D12/110
D430,822 S *	9/2000	Sakaguchi et al.	D12/110
D497,330 S *	10/2004	Fukuyama et al.	D12/110
D598,330 S *	8/2009	Miyanishi et al.	D12/110
2006/0260858 A1 *	11/2006	Suzuki	180/219

FOREIGN PATENT DOCUMENTS

NZ 403376 5/2003

OTHER PUBLICATIONS

Detail of New Zealand Registered Design No. 403376, published May 29, 2003.*

Suzuki 2003 Motorcycles, Scooters, and ATVs catalog, Off-Road Youth bike Nos. DR-Z125 and JR50 (page not numbered).*

Honda Motor Co., Ltd., p. 5 of the Domestic Catalog No. 161, 2006, which the Design Division of the Japan Patent Office received on Aug. 3, 2006.

* cited by examiner

Primary Examiner—Cathron C Brooks

Assistant Examiner—Linda G. Brooks

(74) *Attorney, Agent, or Firm*—Birch, Stewart, Kolasch & Birch, LLP

(57) **CLAIM**

The ornamental design for a motorcycle or motorcycle replica, as shown and described.

DESCRIPTION

FIG. 1 is a perspective view from the left side of a motorcycle or motorcycle replica.

FIG. 2 is a perspective view from the right side thereof.

FIG. 3 is a perspective view from the left side thereof.

FIG. 4 is a perspective view from the right side thereof.

FIG. 5 is a front elevation view thereof.

FIG. 6 is a rear elevation view thereof.

FIG. 7 is a left side elevation view thereof.

FIG. 8 is a right side elevation view thereof.

FIG. 9 is a top plan view thereof; and,

FIG. 10 is a bottom plan view thereof.

1 Claim, 10 Drawing Sheets

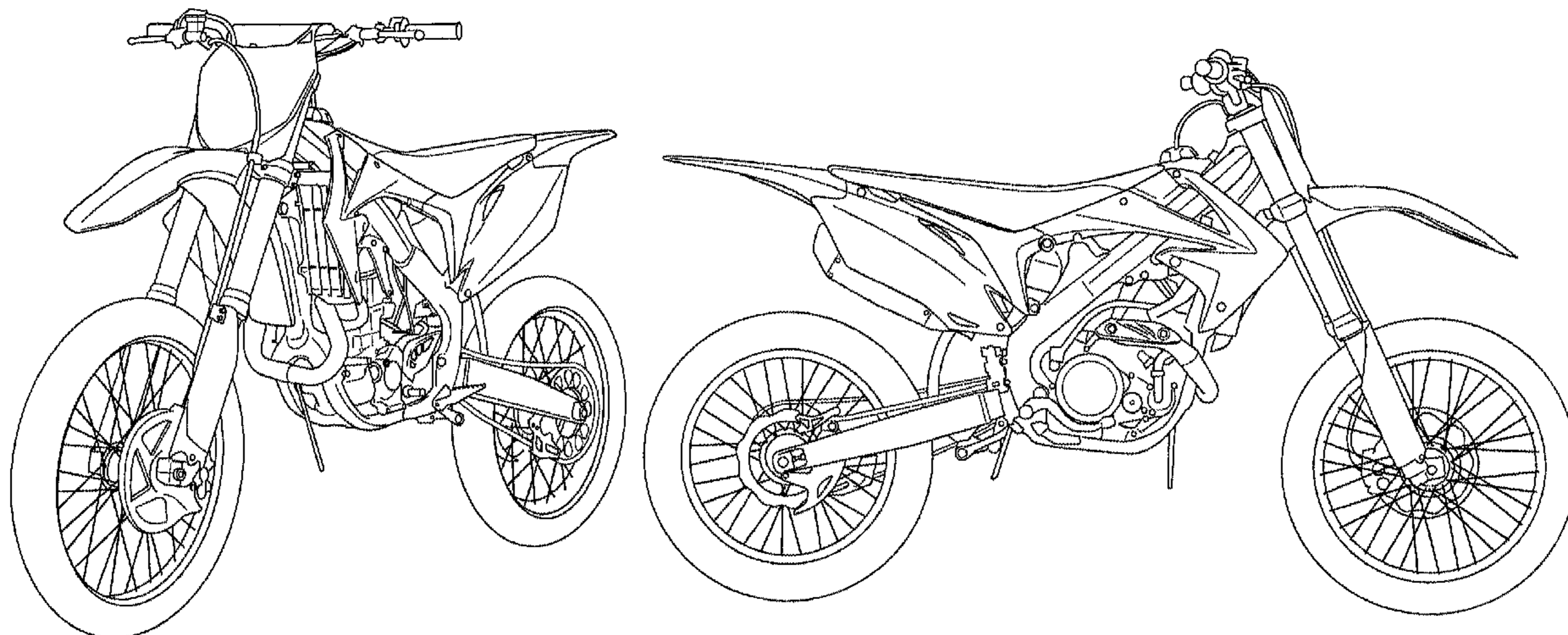


FIG. 1

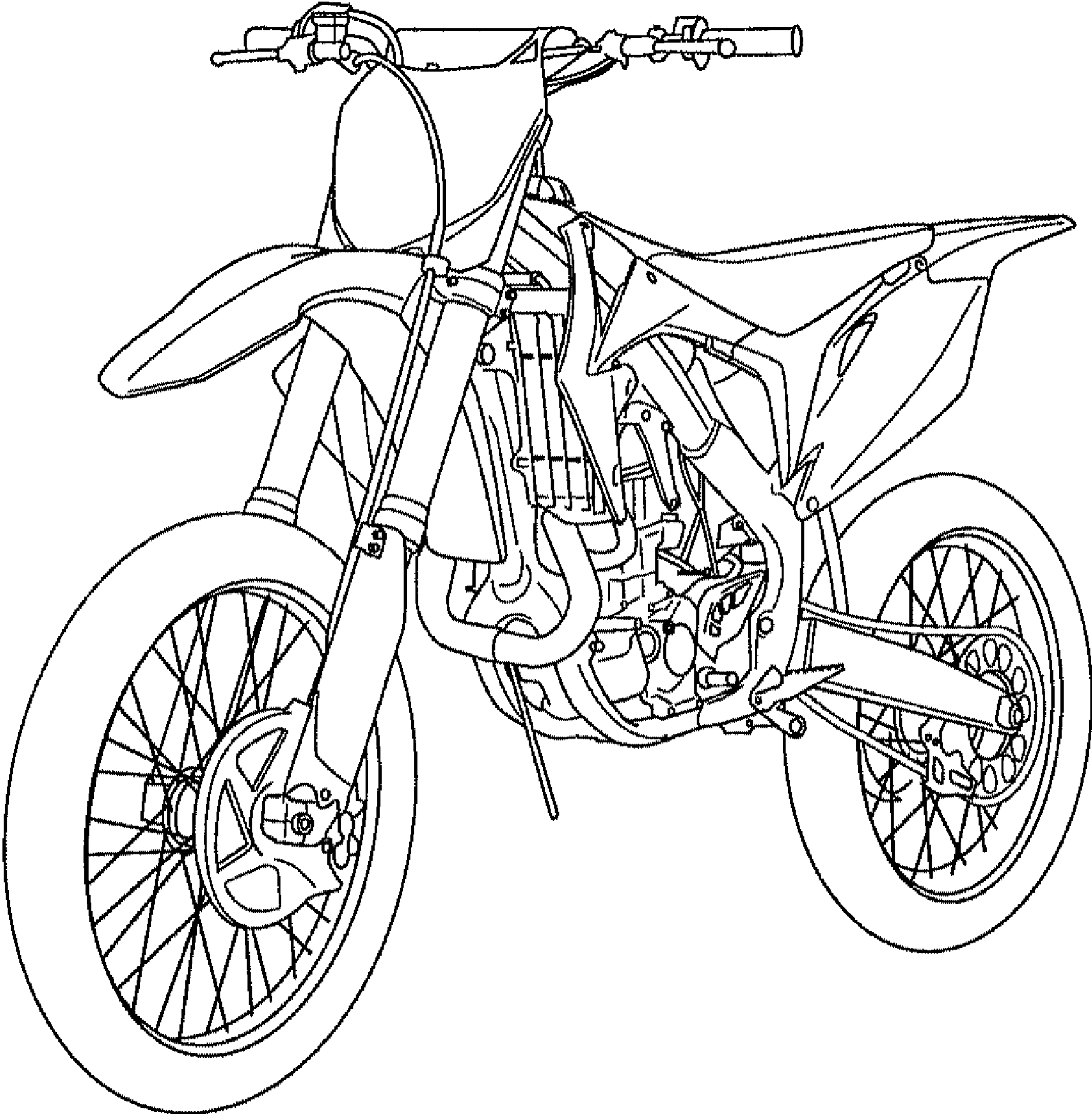


FIG. 2

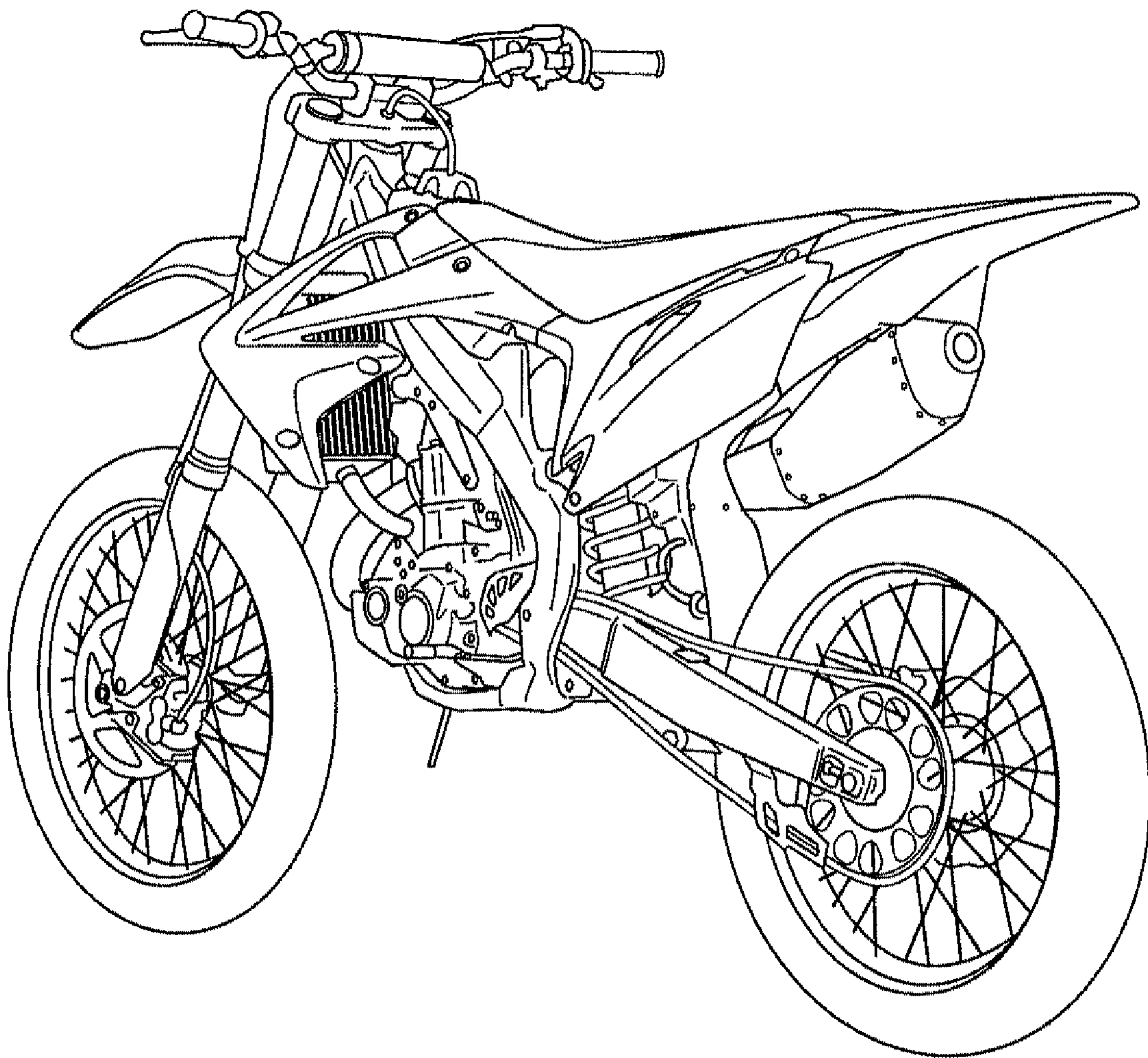


FIG. 3

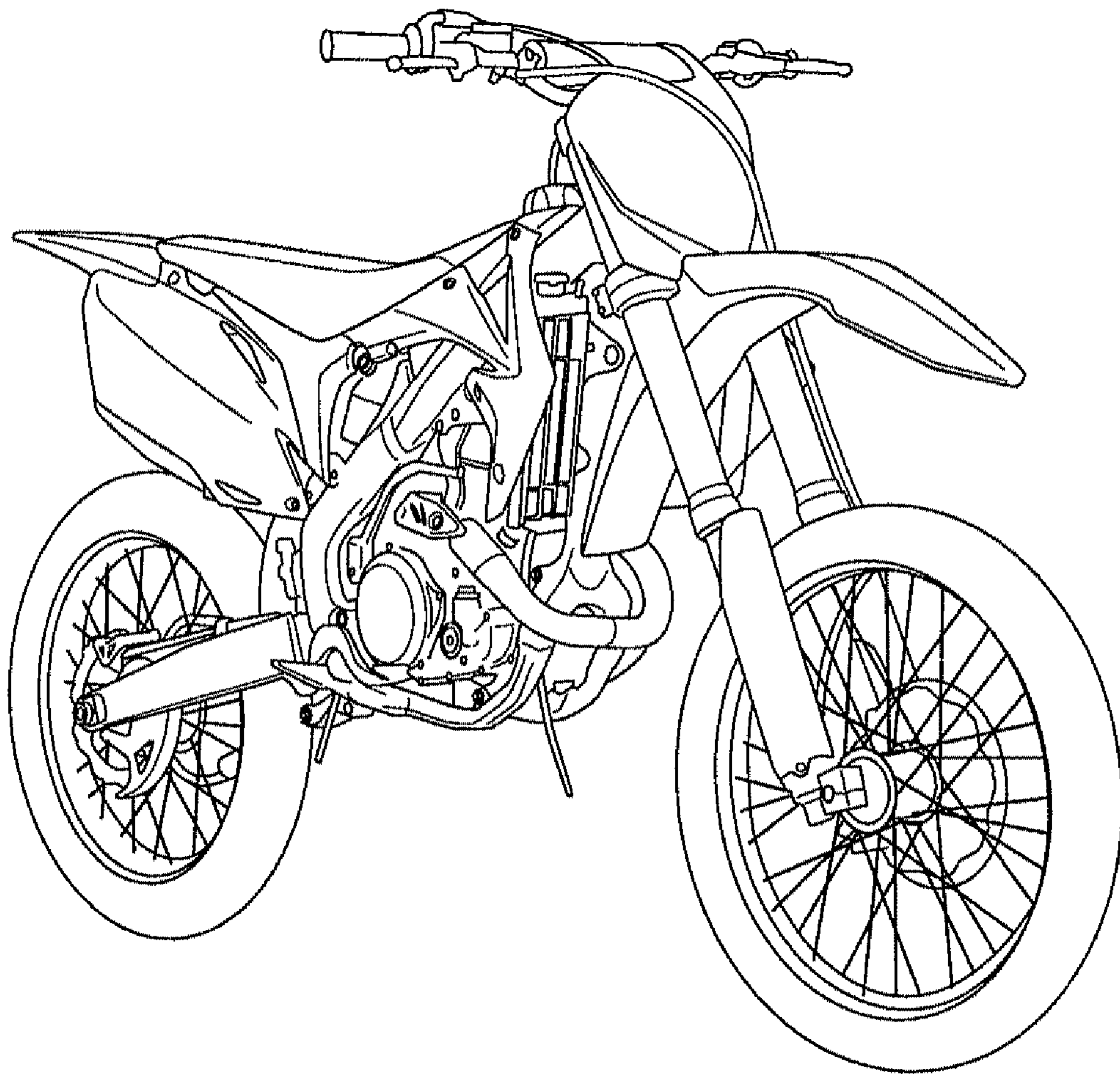


FIG. 4

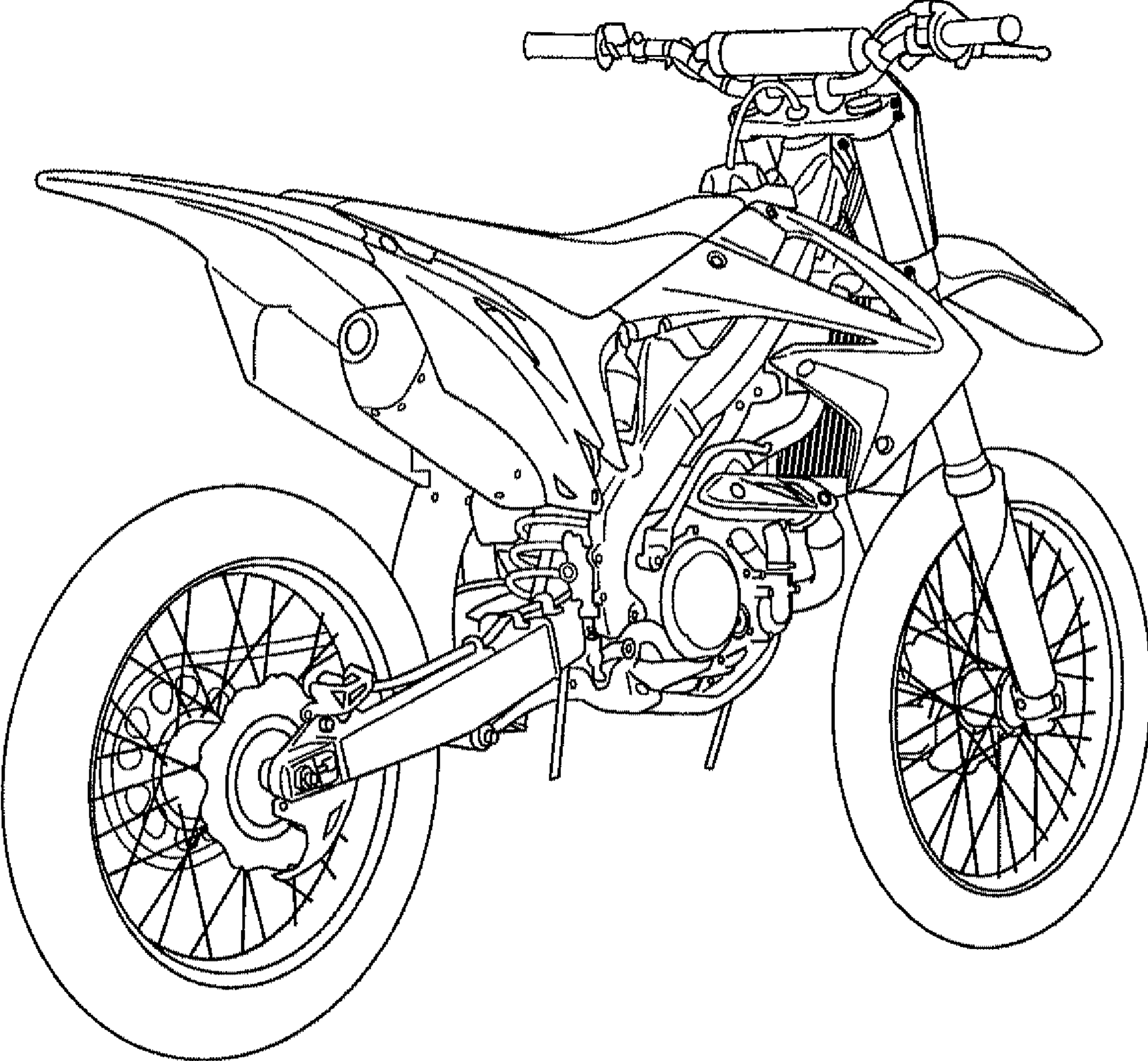


FIG. 5

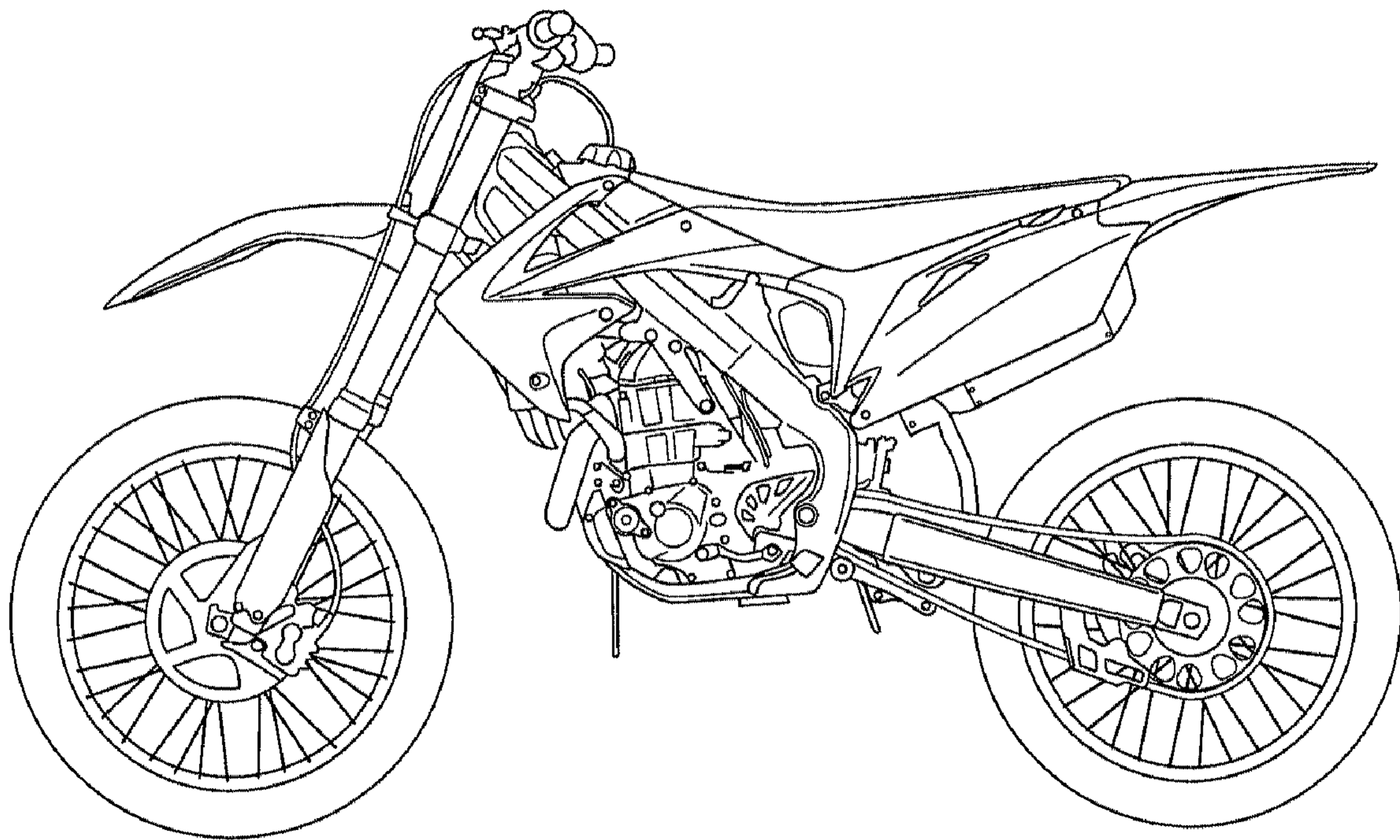


FIG. 6

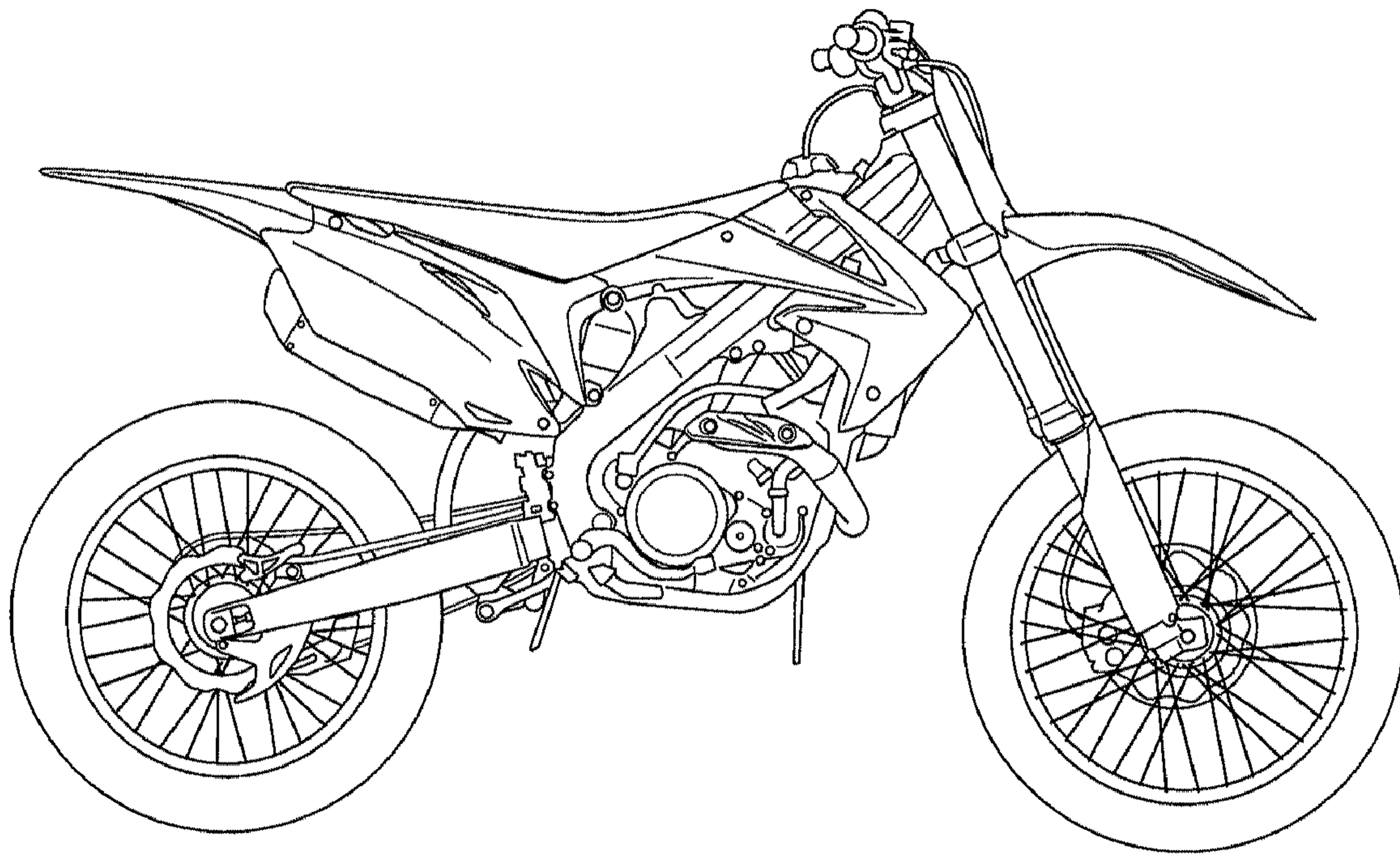


FIG. 7

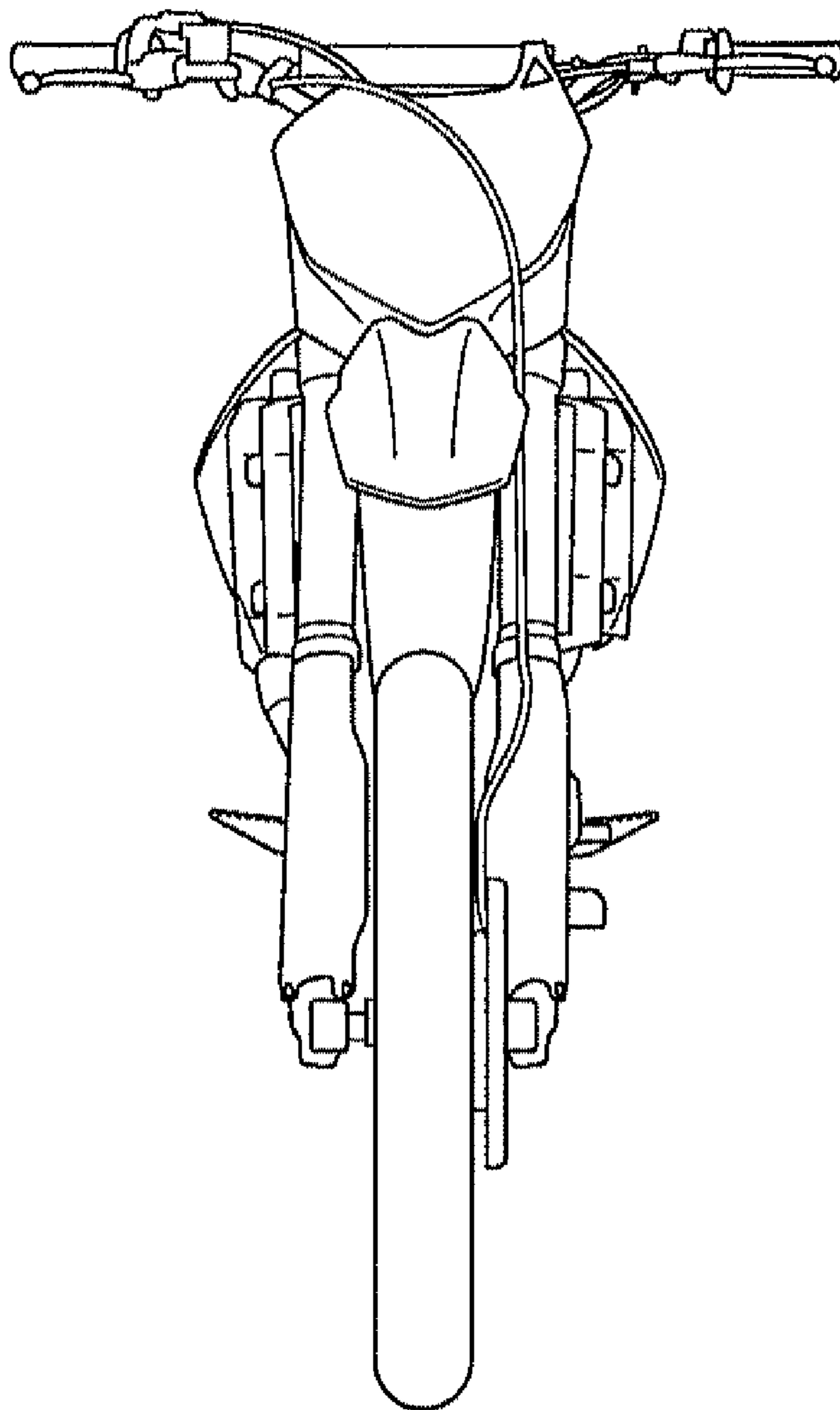


FIG. 8

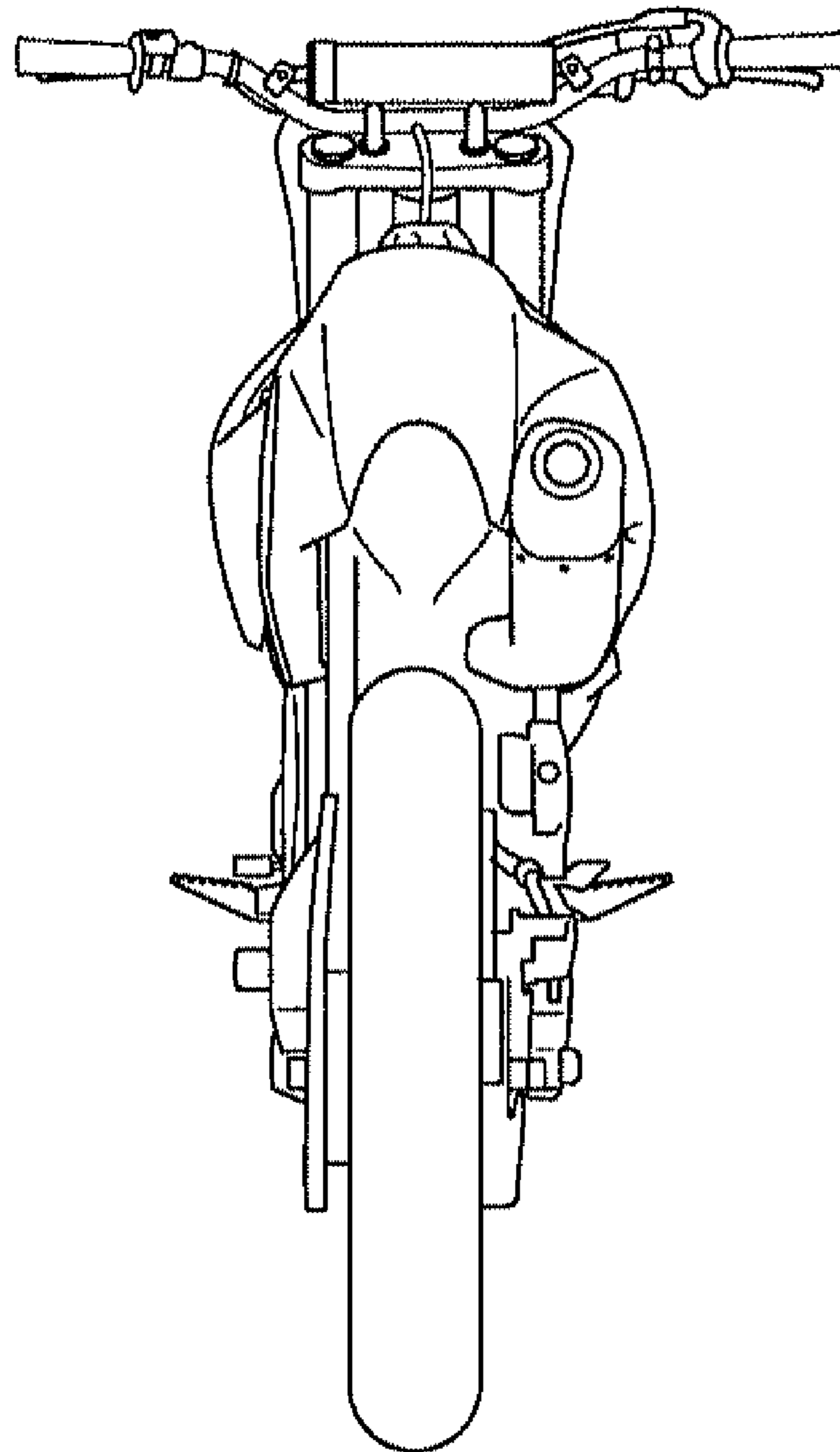


FIG. 9

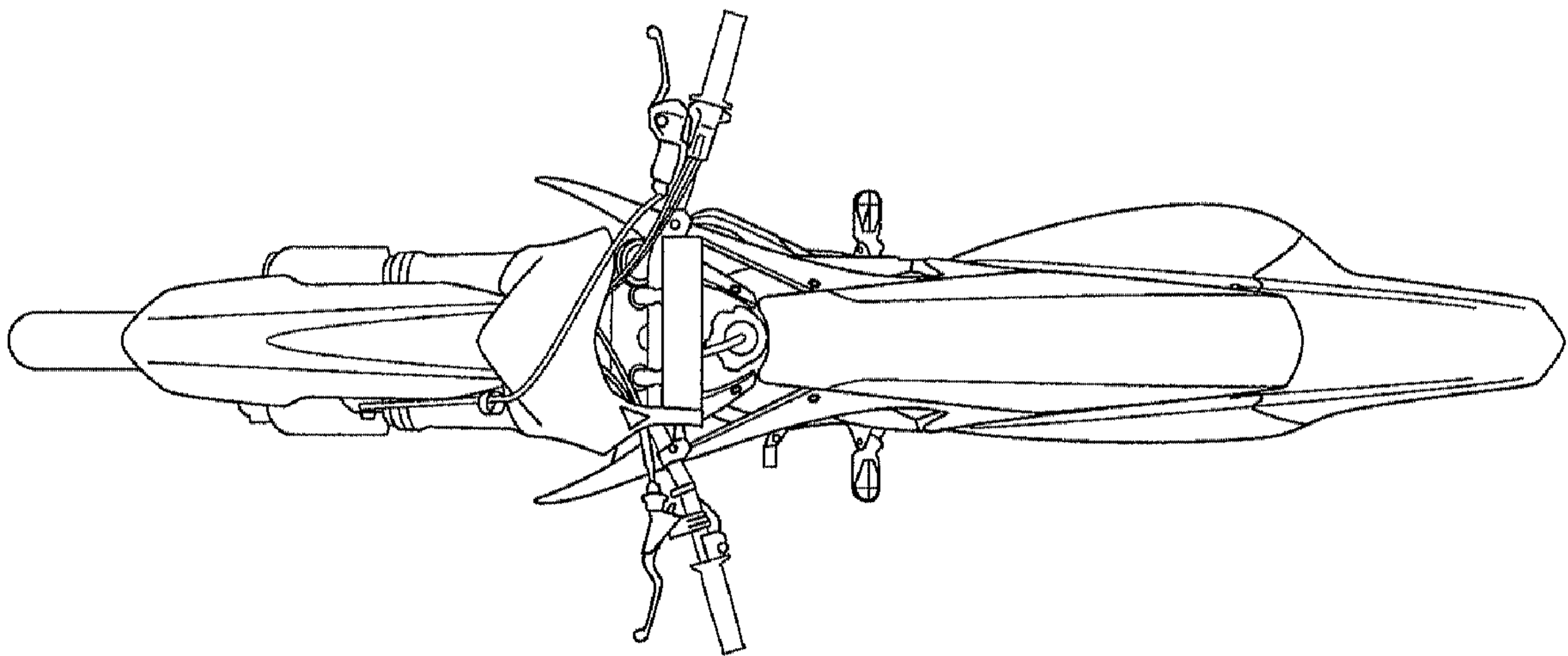


FIG. 10

