



US00D609607S

(12) **United States Design Patent**
Hsu

(10) **Patent No.:** **US D609,607 S**

(45) **Date of Patent:** **** Feb. 9, 2010**

(54) **LIGHTING BALL ORNAMENT WITH ANIMAL FIGURE**

(75) Inventor: **Yen-Shao Hsu**, Taipei Hsien (TW)

(73) Assignee: **Chi Da Toys Enterprises (H. K.) Co., Ltd.**, Kowloon (HK)

(**) Term: **14 Years**

(21) Appl. No.: **29/342,462**

(22) Filed: **Aug. 25, 2009**

(51) **LOC (9) Cl.** **11-02**

(52) **U.S. Cl.** **D11/158**

(58) **Field of Classification Search** D11/131-141,
D11/157-164; D21/483, 783, 597-600;
D30/101-106; 446/267, 153; 40/406, 408;
47/69; 119/5, 245, 263, 265, 267, 269
See application file for complete search history.

(56) **References Cited**

U.S. PATENT DOCUMENTS

4,765,623	A	*	8/1988	Cardillo et al.	273/161
D327,233	S	*	6/1992	McClellan	D11/131
D336,061	S	*	6/1993	Kraselsky et al.	D11/157
D384,909	S	*	10/1997	Lenhard	D11/157
D416,292	S	*	11/1999	Hsieh	D21/483
D450,783	S	*	11/2001	Nagasawa	D21/483

D473,271	S	*	4/2003	Yoshida et al.	D21/483
D498,431	S	*	11/2004	Ditmars, Jr.	D11/131
D511,119	S	*	11/2005	Chang	D11/131
D528,465	S	*	9/2006	Quarters	D11/157
D563,825	S	*	3/2008	Cash	D11/157
D596,985	S	*	7/2009	Machado et al.	D11/160

* cited by examiner

Primary Examiner—Holly H Baynham

Assistant Examiner—Michelle E Wilson

(74) *Attorney, Agent, or Firm*—Muncy, Geissler, Olds & Lowe, PLLC

(57) **CLAIM**

The ornamental design for lighting ball ornament with animal figure, as shown and described.

DESCRIPTION

FIG. 1 is a perspective view of lighting ball ornament with animal figure showing a status of the new design in use;

FIG. 2 is a front view of the new design;

FIG. 3 is a rear view of the new design;

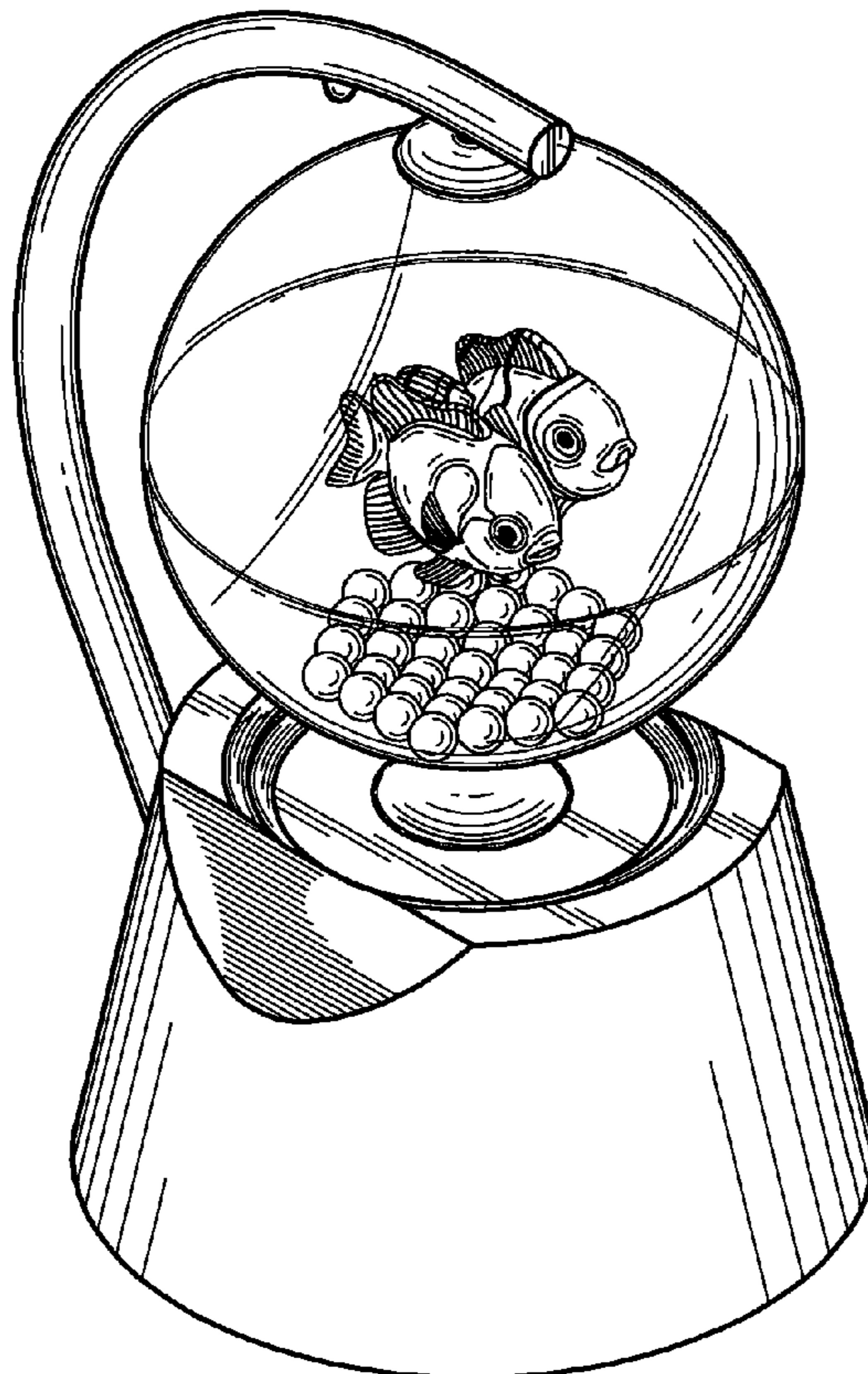
FIG. 4 is a left view of the new design;

FIG. 5 is a right view of the new design;

FIG. 6 is a top view of the new design; and,

FIG. 7 is a bottom view of the new design;

1 Claim, 7 Drawing Sheets



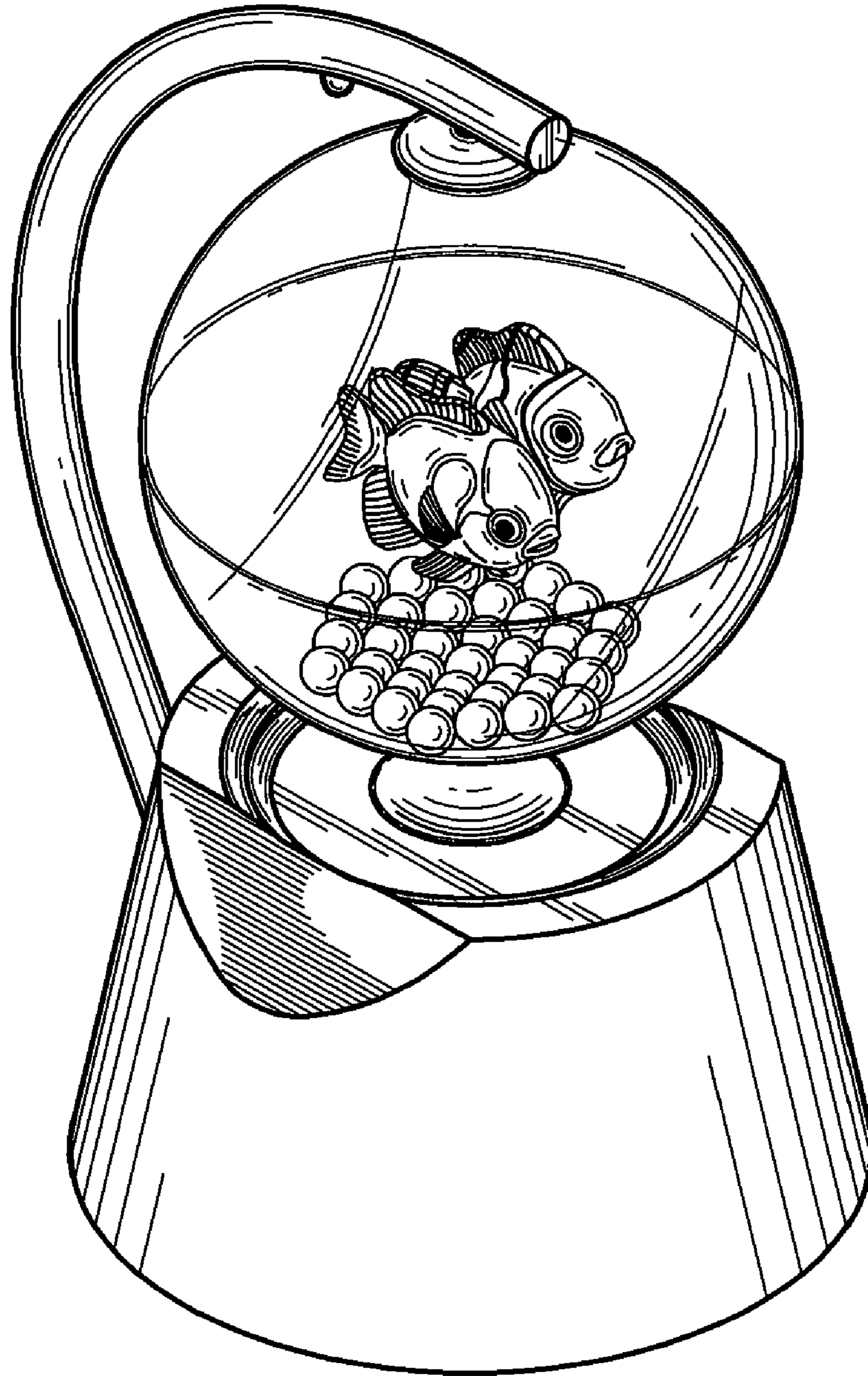


Fig. 1

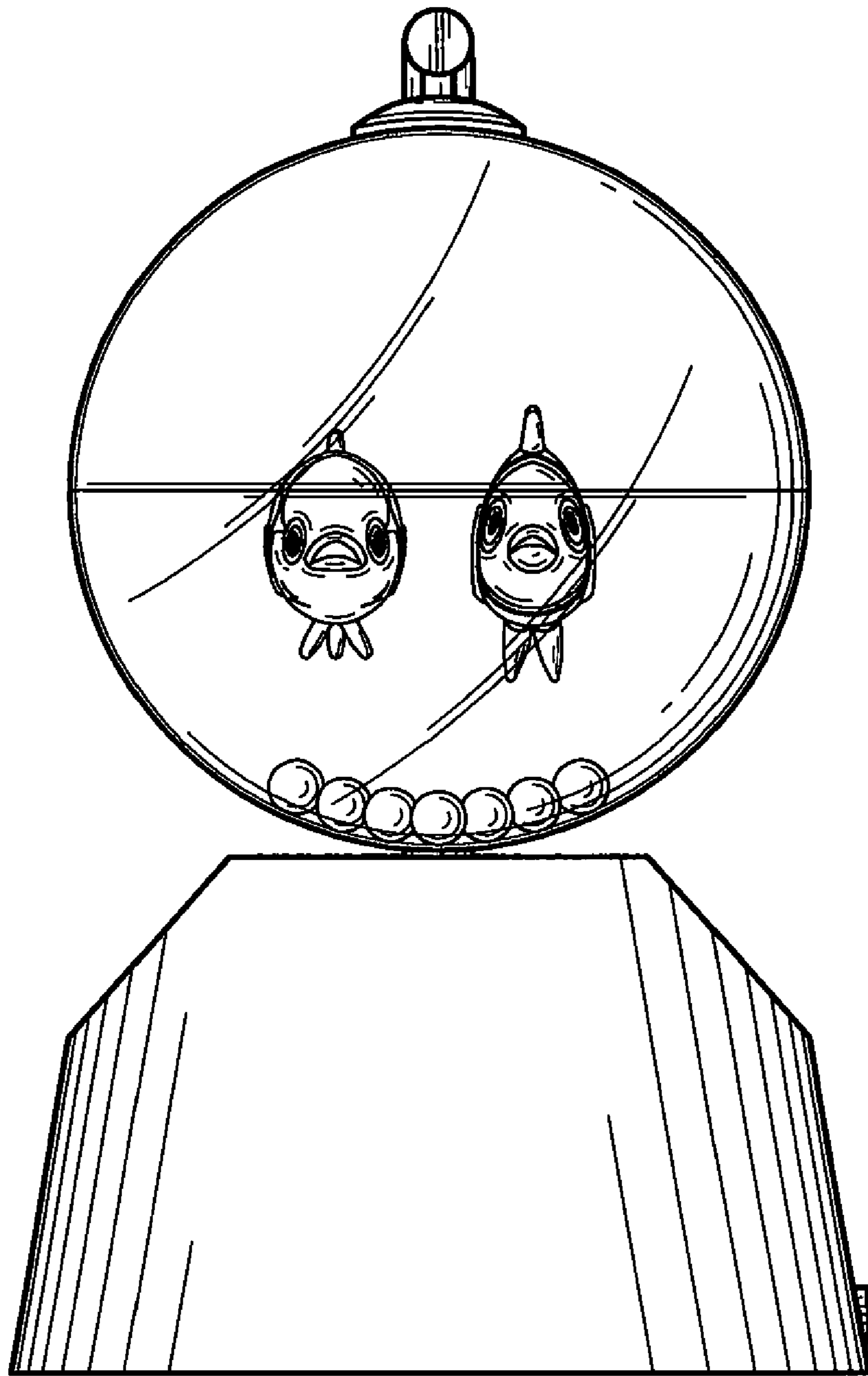


Fig. 2

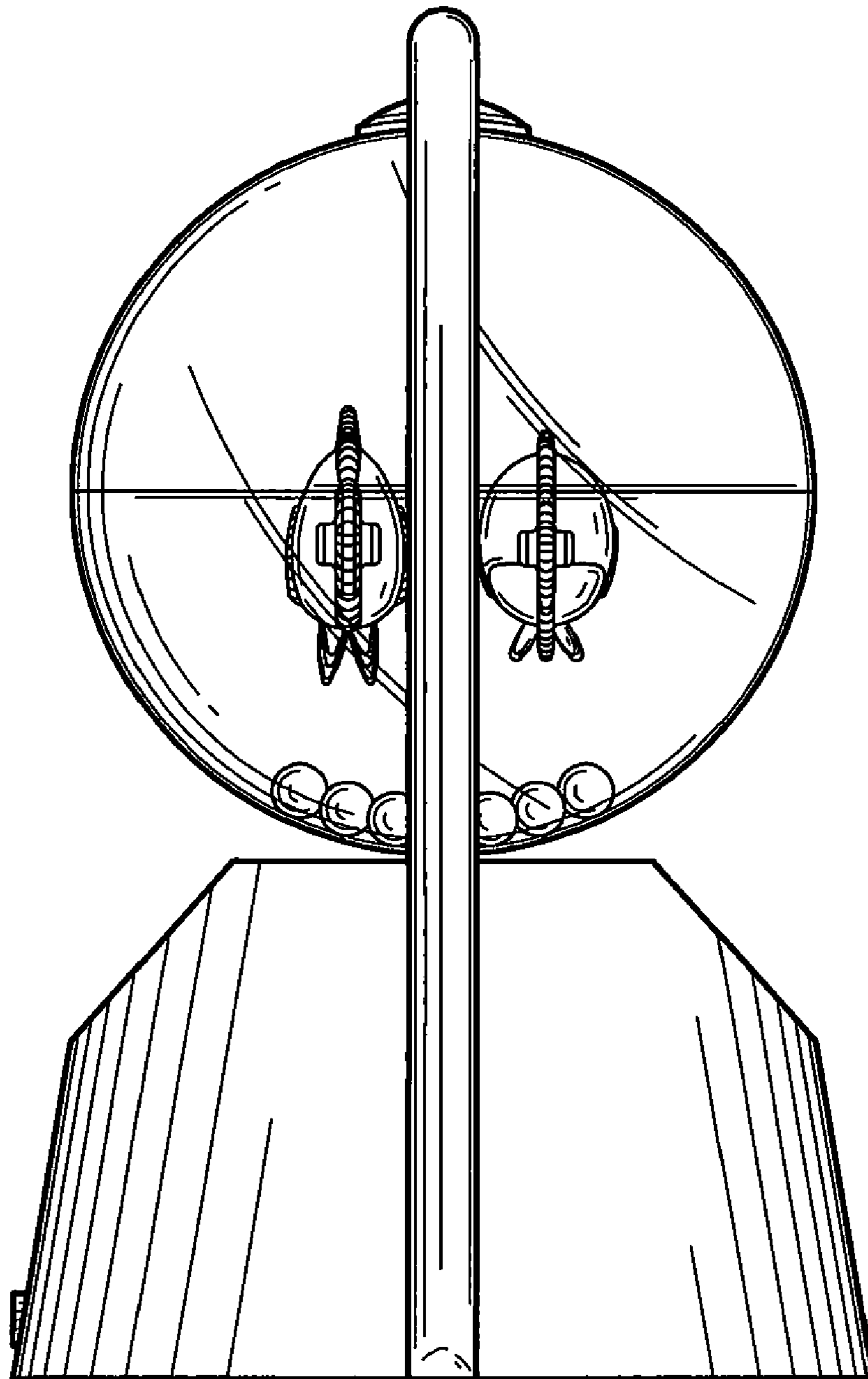


Fig. 3

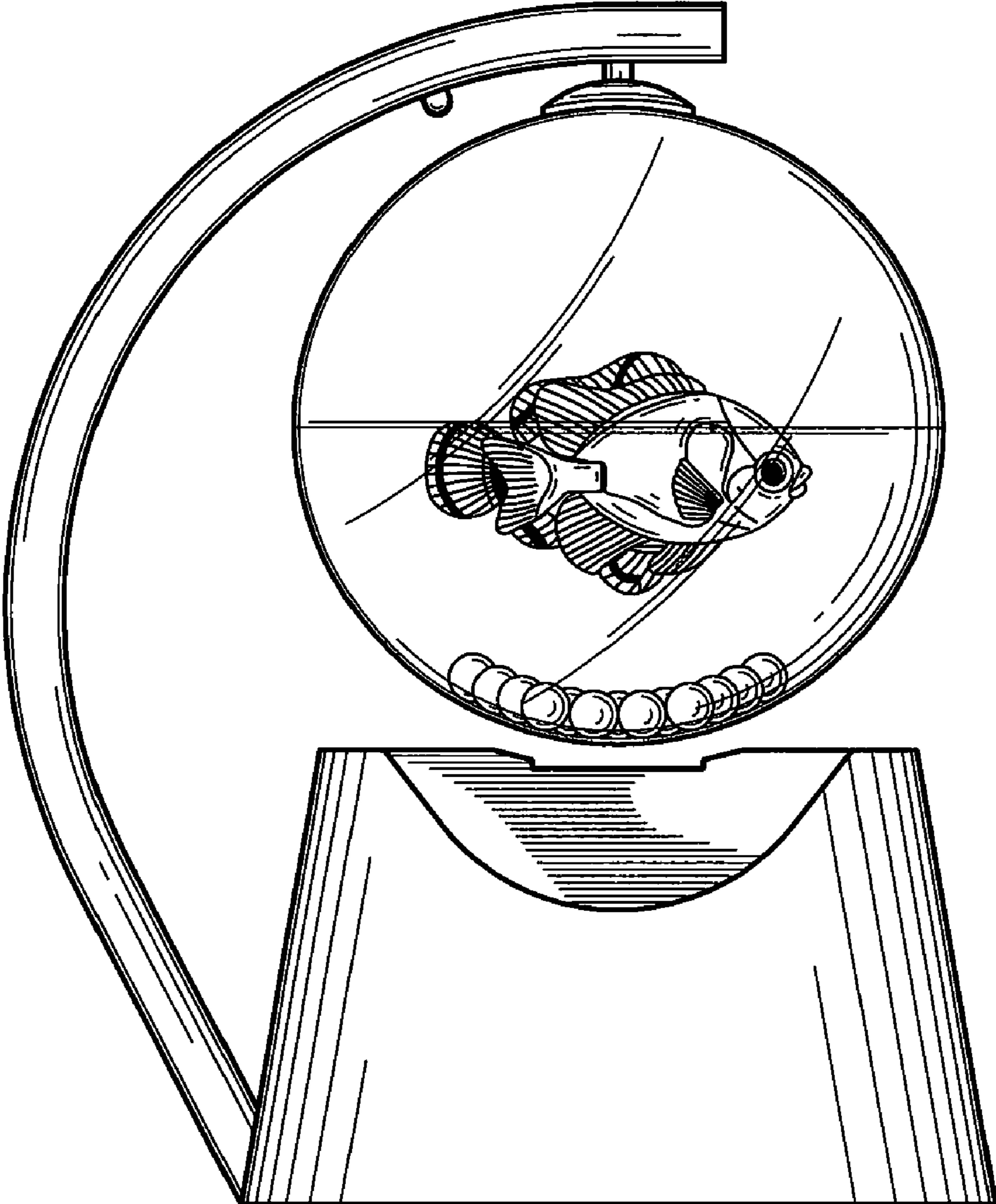


Fig. 4

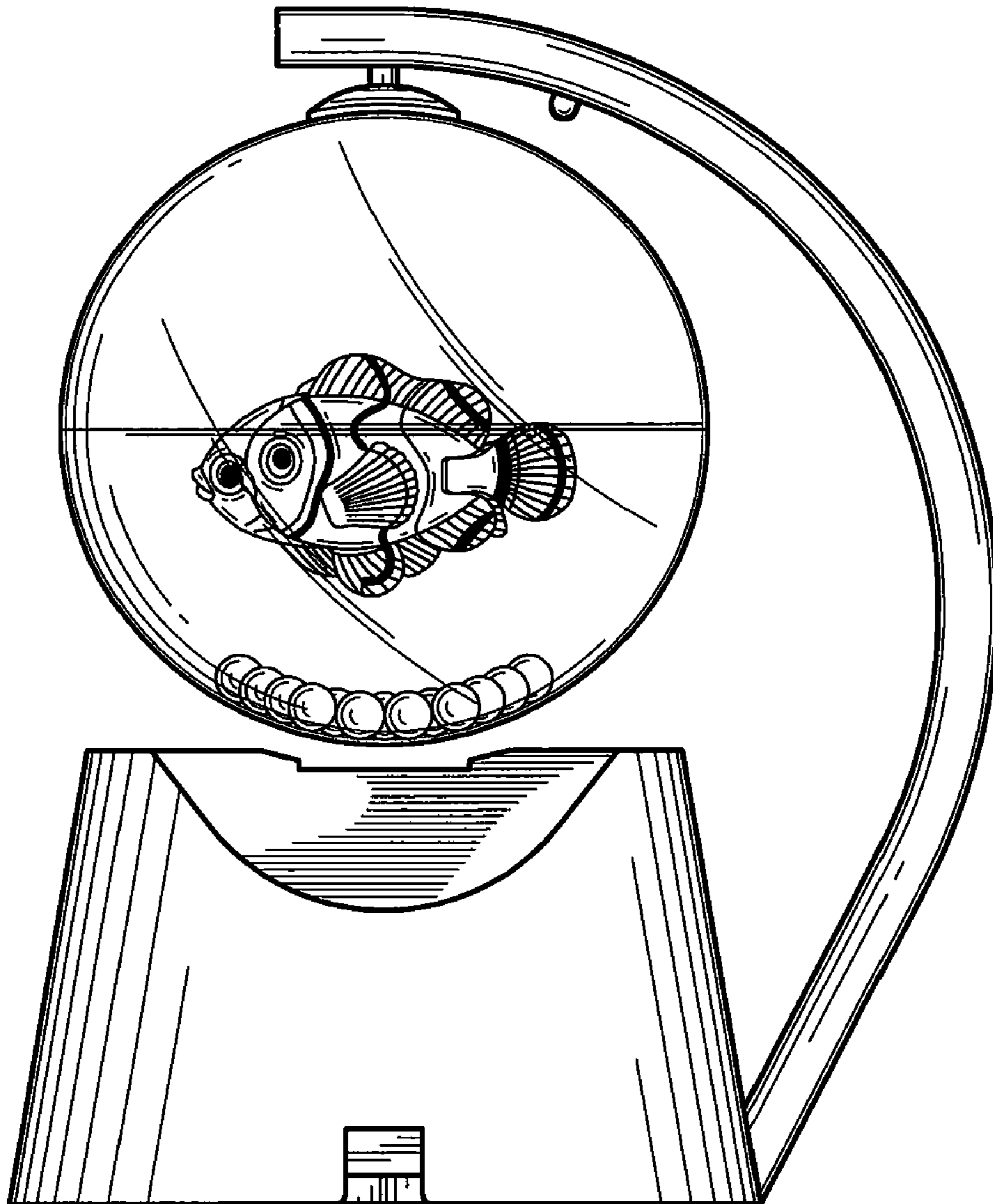


Fig. 5

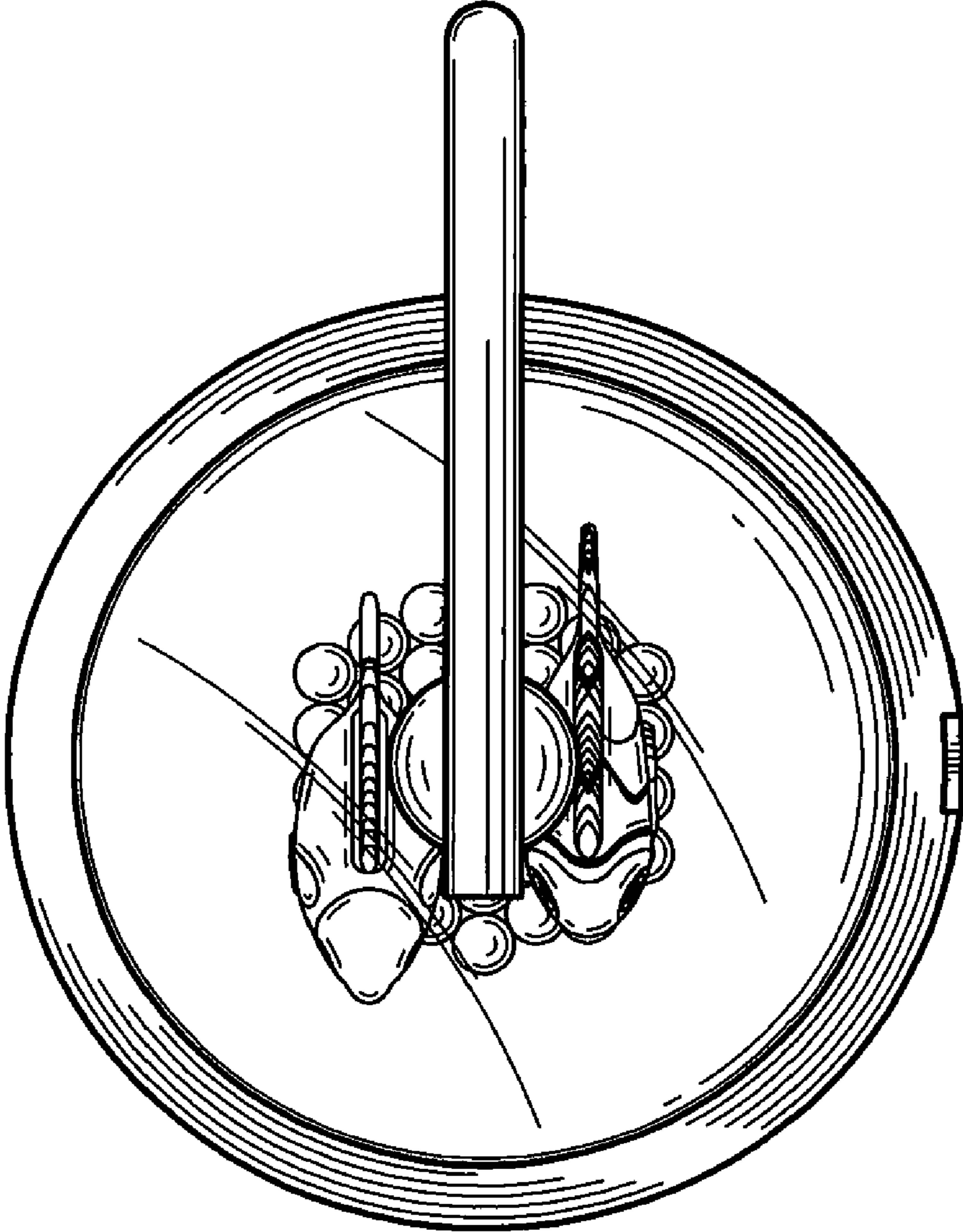


Fig. 6

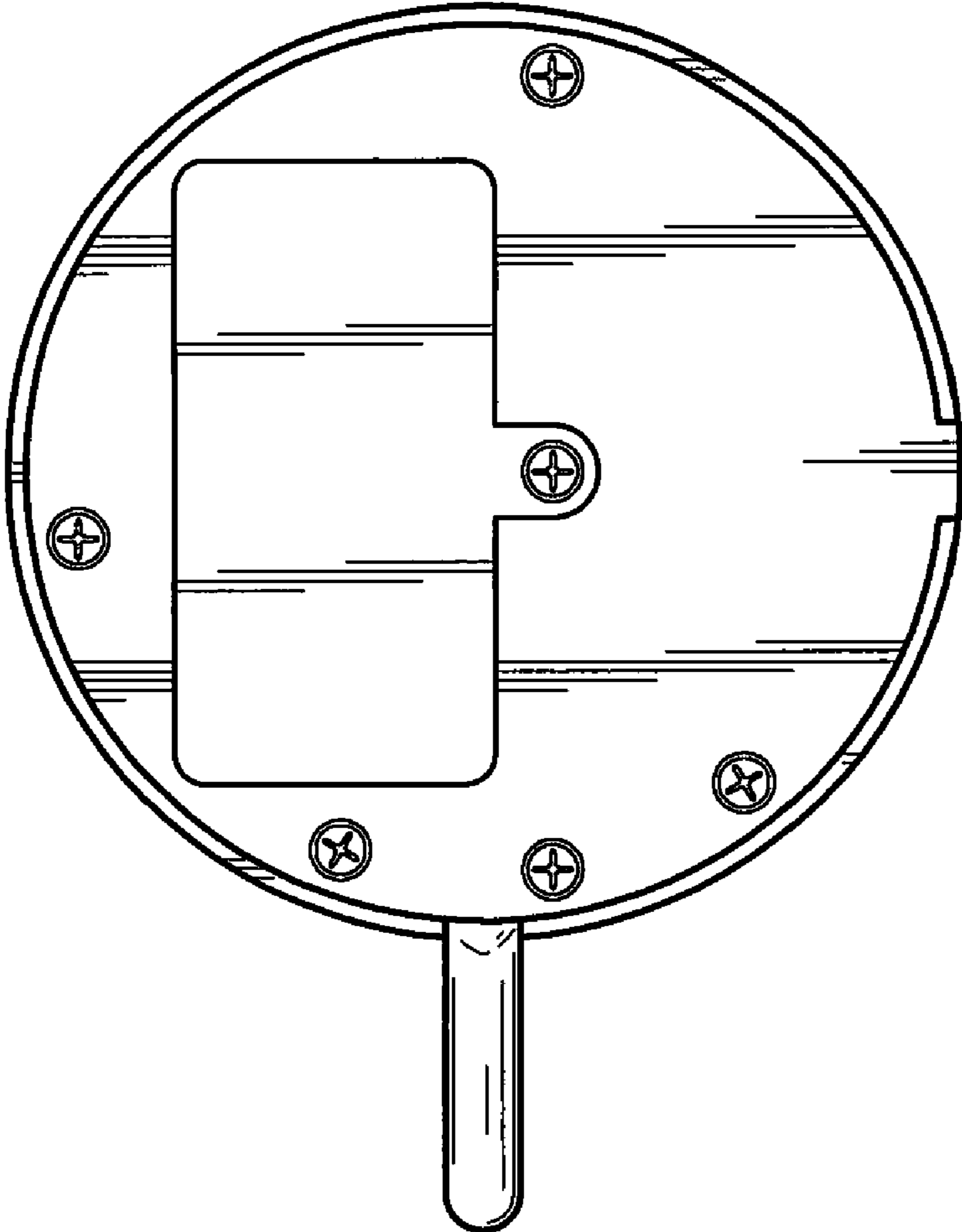


Fig. 7