



US00D609595S

(12) **United States Design Patent**
Soderstrom

(10) **Patent No.:** **US D609,595 S**

(45) **Date of Patent:** **** Feb. 9, 2010**

(54) **LOBE PUMP**

(76) Inventor: **Harry Soderstrom**, 1701 Spinks Dr.,
SE., Marietta, GA (US) 30067

(**) Term: **14 Years**

(21) Appl. No.: **29/336,406**

(22) Filed: **May 4, 2009**

(51) **LOC (9) Cl.** **15-02**

(52) **U.S. Cl.** **D11/7**

(58) **Field of Classification Search** D15/7-9;
D23/231, 232, 225; 417/410.1, 359, 415-416,
417/234, 321, 265, 405

See application file for complete search history.

(56) **References Cited**

U.S. PATENT DOCUMENTS

D178,799 S *	9/1956	Lung	D15/7
D215,883 S *	11/1969	Svenson	D15/7
D259,261 S *	5/1981	MacLaren	D15/7
D372,251 S *	7/1996	Bohncke	D15/7
D384,674 S *	10/1997	Grolle et al.	D15/7
D466,523 S *	12/2002	Saito	D15/9

D485,565 S *	1/2004	Martinello	D15/7
D487,473 S *	3/2004	Saito et al.	D15/9
D573,609 S *	7/2008	Bilger	D15/7

* cited by examiner

Primary Examiner—Ralf Seifert

(74) *Attorney, Agent, or Firm*—Stephen J. Stark; Miller & Martin PLLC

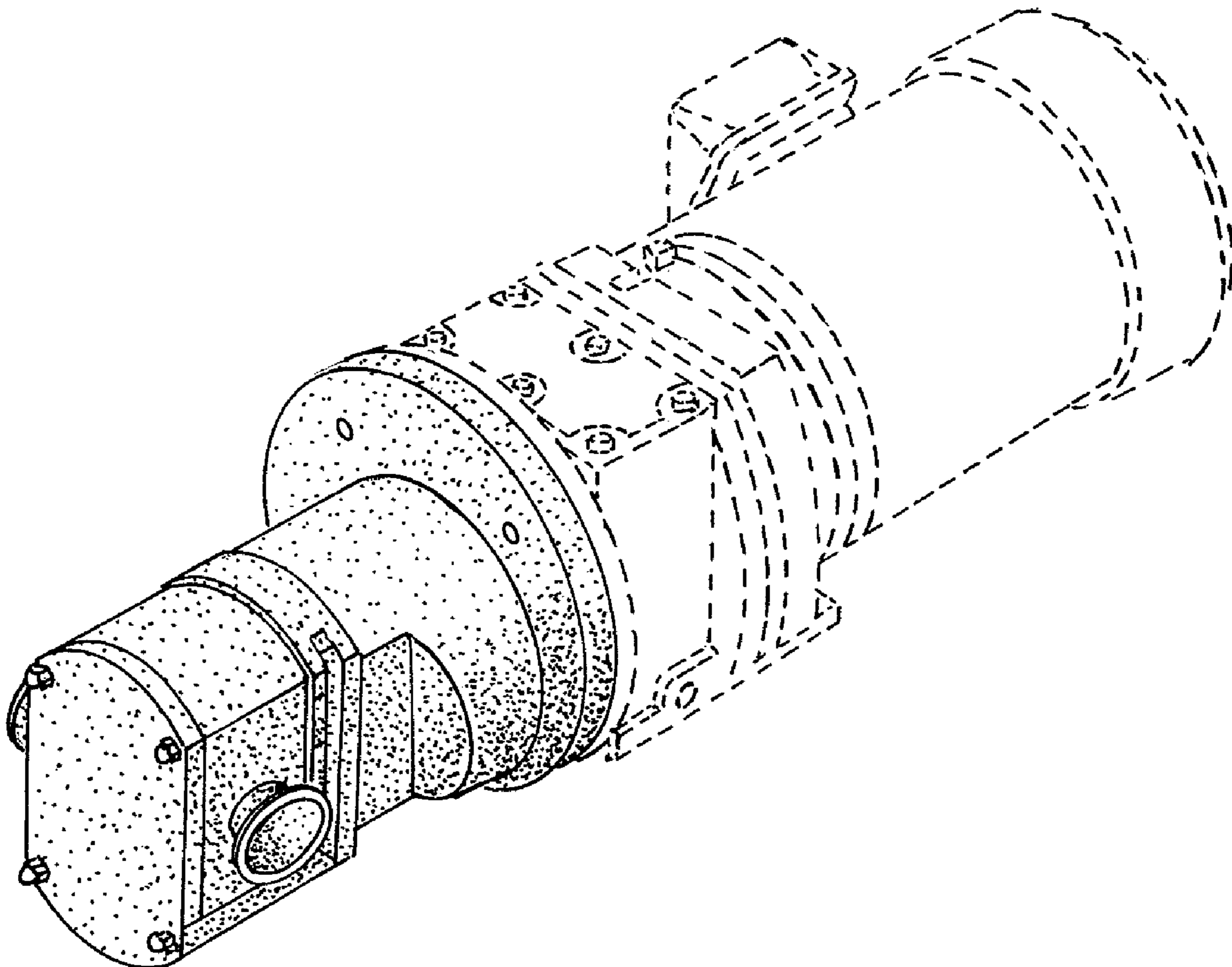
(57) **CLAIM**

The ornamental design for a lobe pump, as is shown and described herein.

DESCRIPTION

FIG. 1 is a perspective view of the lobe pump;
FIG. 2 is a right side elevational view thereof;
FIG. 3 is a left side elevational view thereof;
FIG. 4 is a top side elevational view thereof;
FIG. 5 is a bottom side elevational view thereof;
FIG. 6 is a front elevational view thereof; and,
FIG. 7 is a back elevational view thereof.

1 Claim, 2 Drawing Sheets



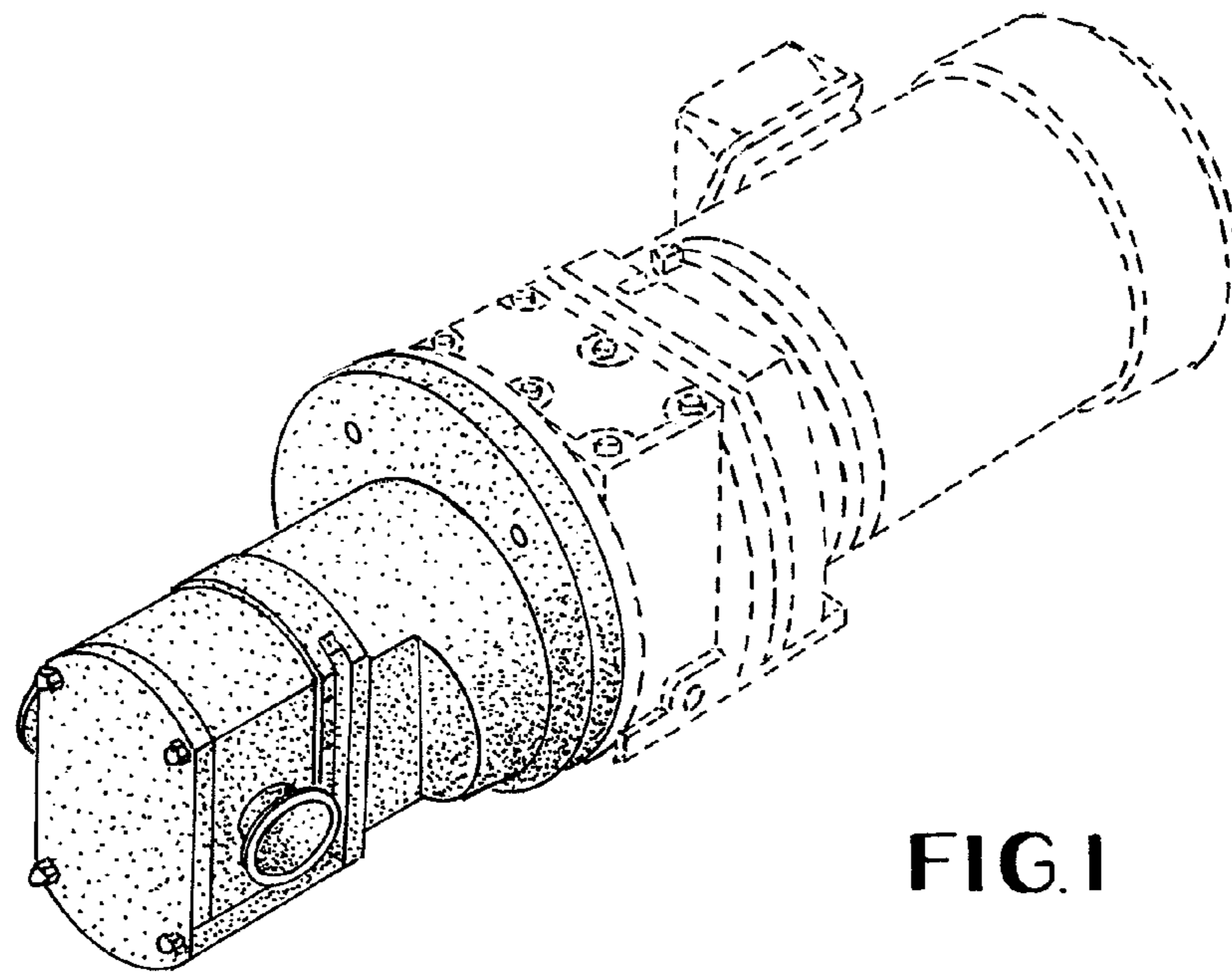


FIG. 1

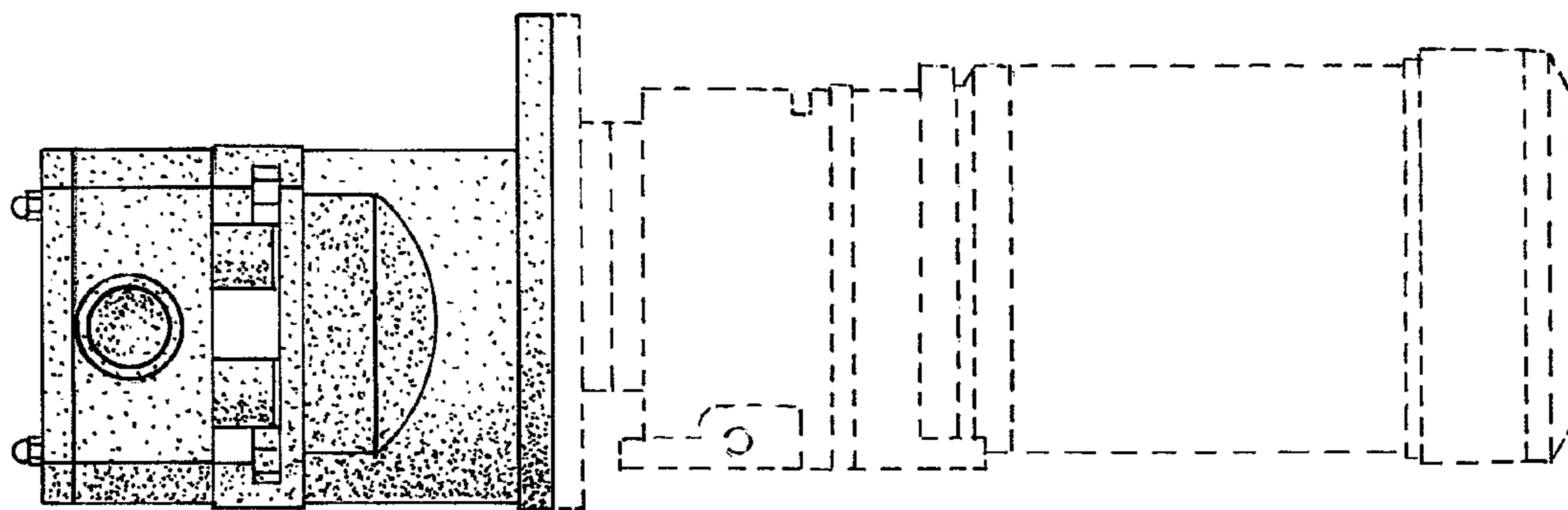


FIG. 2

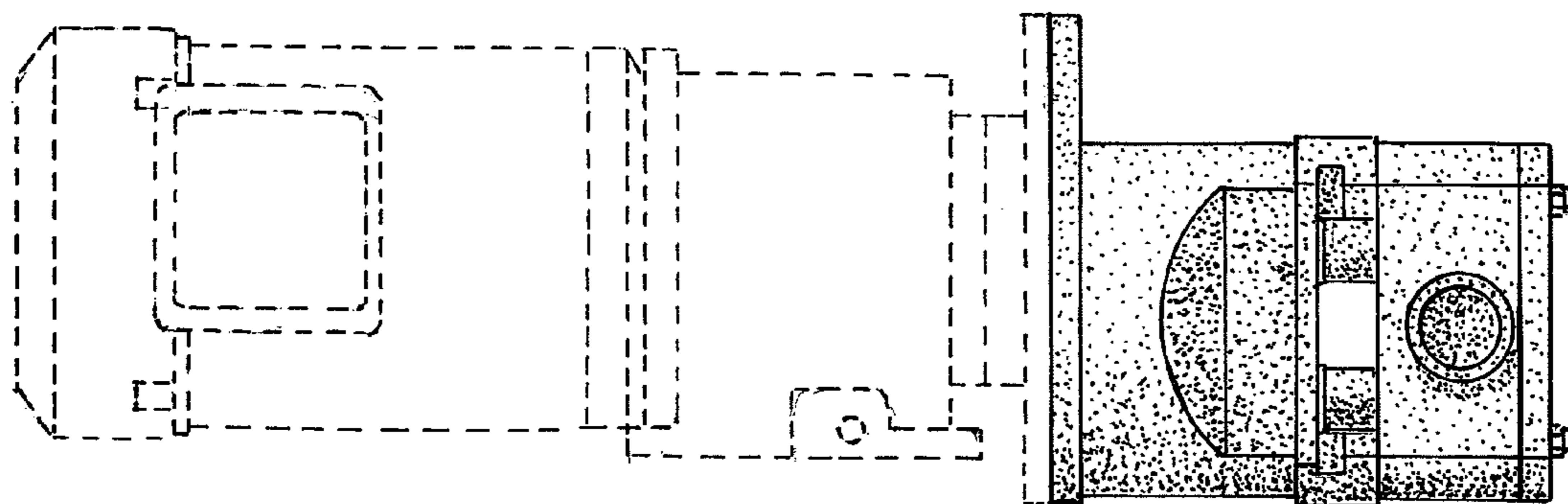


FIG. 3

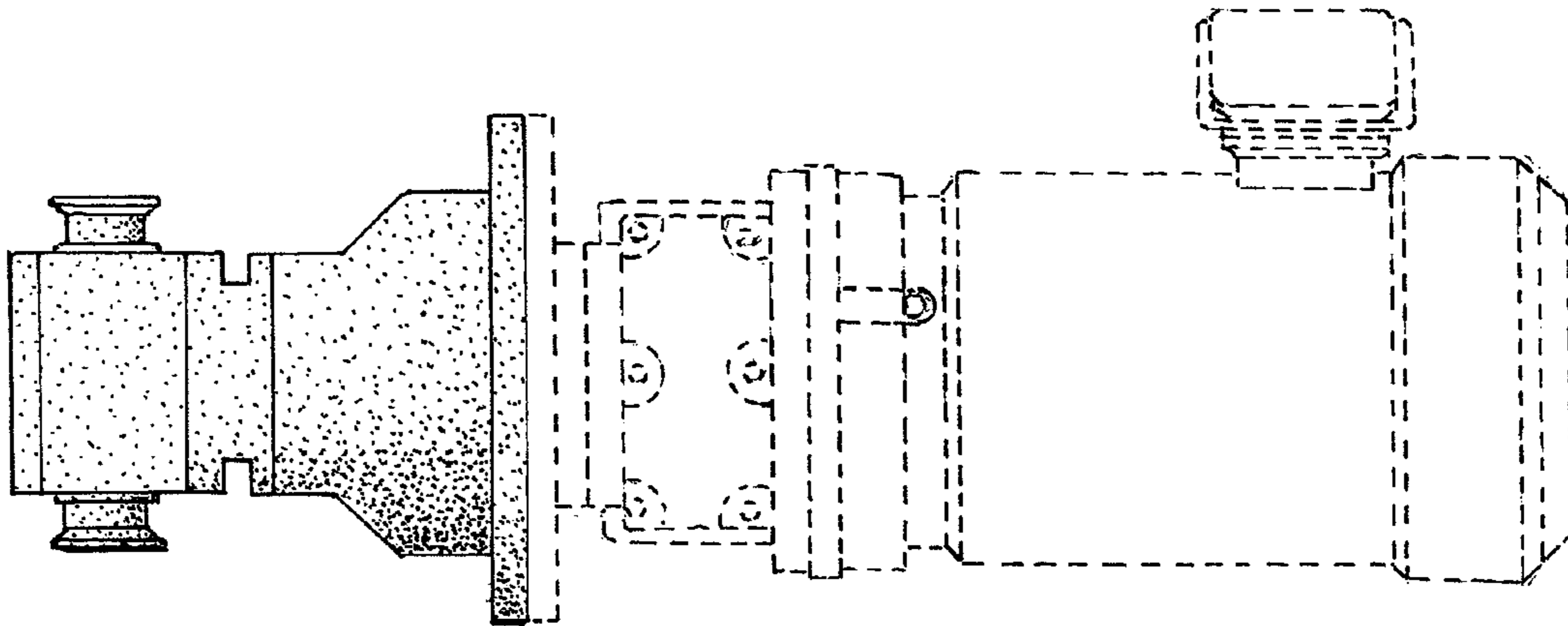


FIG. 4

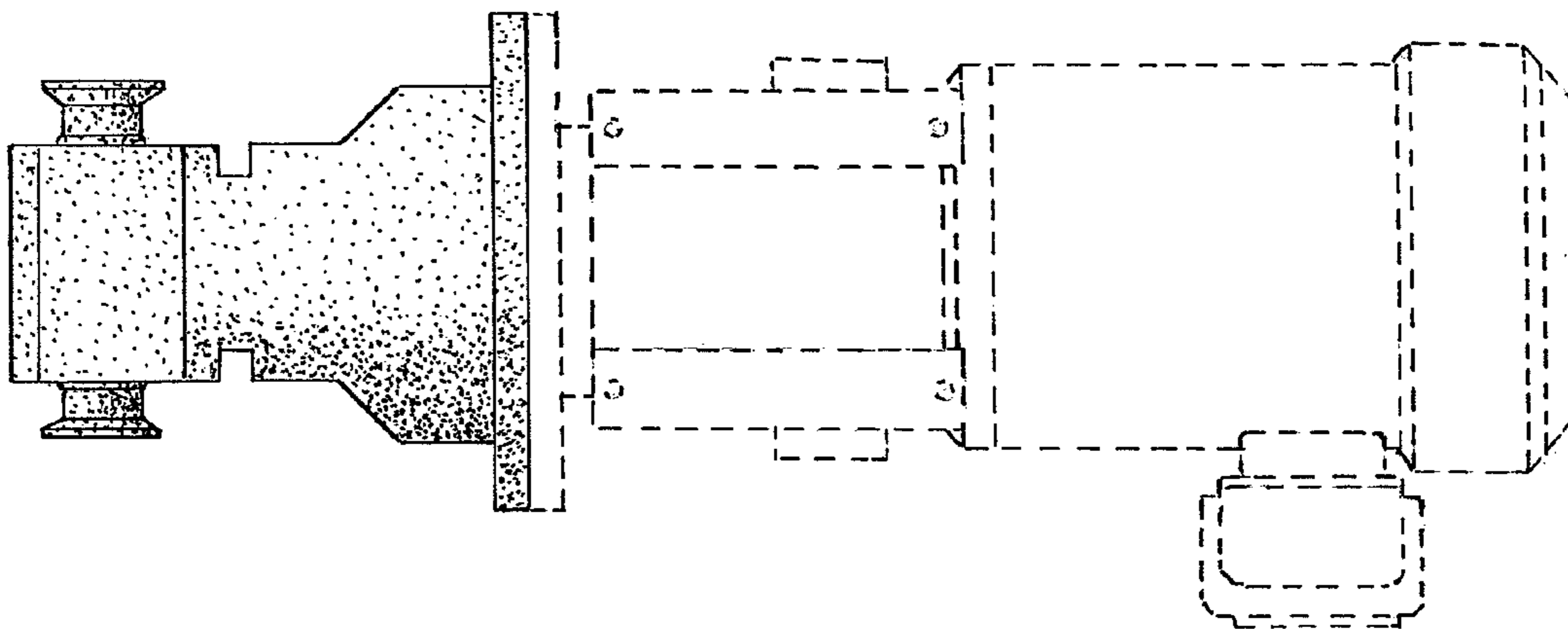


FIG. 5

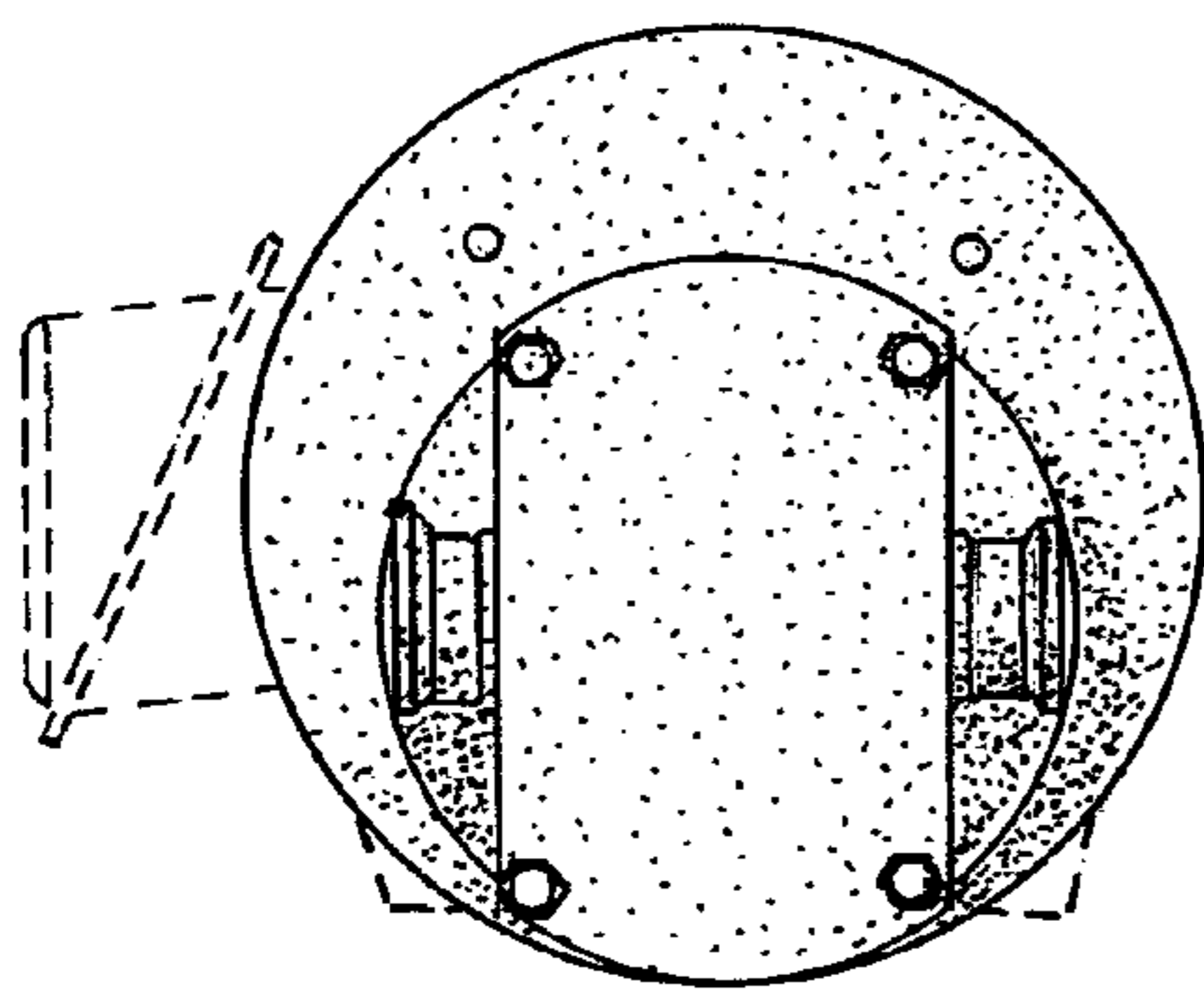


FIG. 6

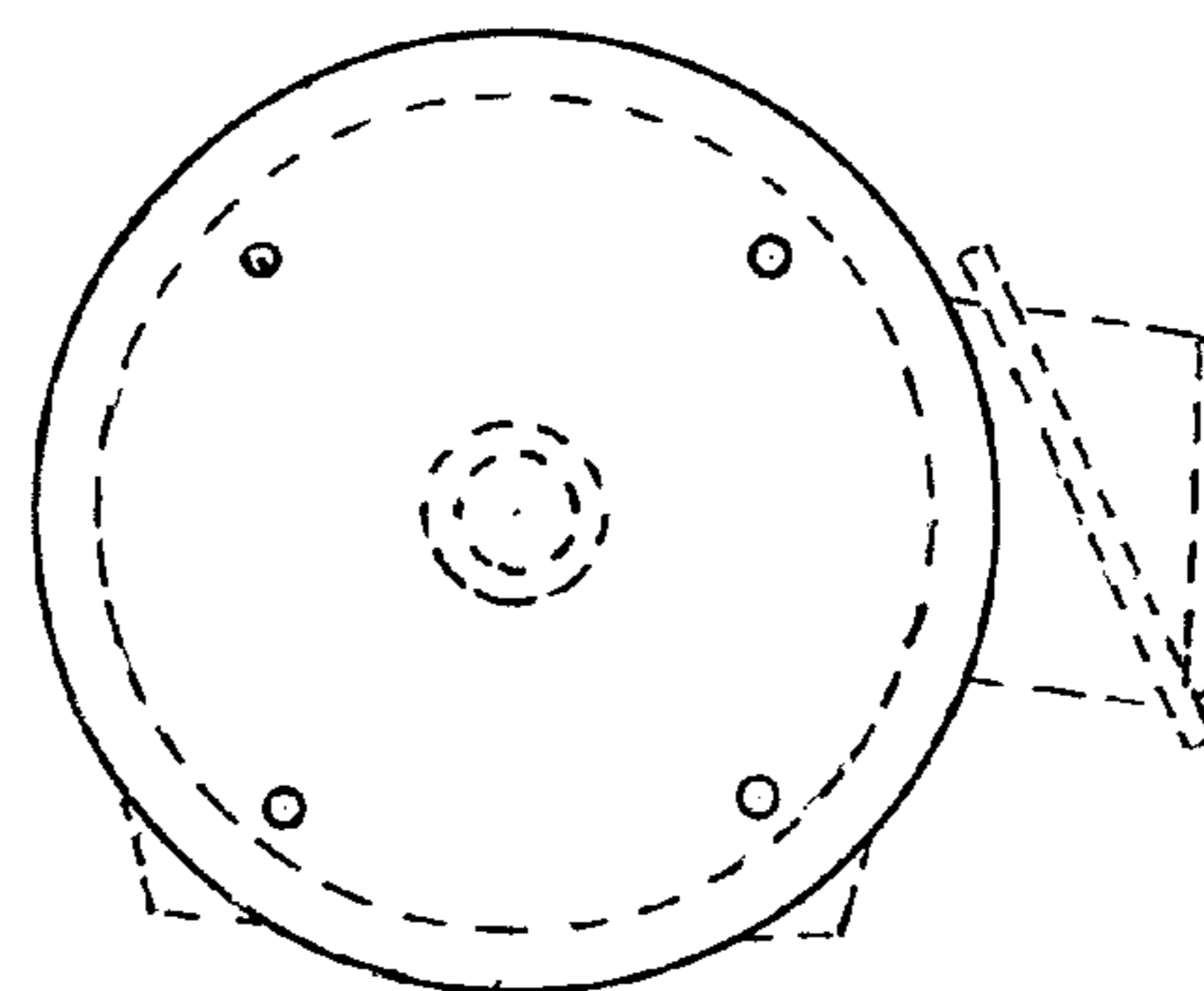


FIG. 7