



US00D609593S

(12) **United States Design Patent**
Schenck et al.

(10) **Patent No.:** **US D609,593 S**
(45) **Date of Patent:** **** Feb. 9, 2010**

(54) **MOTION SENSOR LAMP ADAPTOR**

(75) Inventors: **Grady Schenck**, Walden, NY (US);
Mike Stack, Wanaque, NJ (US)

(73) Assignee: **American Tack & Hardware Co., Inc.**,
Saddle River, NJ (US)

(**) Term: **14 Years**

(21) Appl. No.: **29/336,556**

(22) Filed: **May 5, 2009**

(51) **LOC (9) Cl.** **10-05**

(52) **U.S. Cl.** **D10/106**

(58) **Field of Classification Search** D10/104,
D10/106; 340/521, 540, 541, 542, 543, 544,
340/545, 555, 556, 558, 571, 572, 573; 392/423;
134/21; 362/276; 428/192; D26/51, 68;
D13/134, 158

See application file for complete search history.

(56) **References Cited**

U.S. PATENT DOCUMENTS

D217,466 S	*	5/1970	Garrett	D13/125
D296,549 S	*	7/1988	Fenne	D13/134
D320,595 S	*	10/1991	Fenne	D13/158
D364,142 S	*	11/1995	Metcalf et al.	D13/134
D367,847 S	*	3/1996	Tarulli et al.	D13/158

* cited by examiner

Primary Examiner—Caron Veynar

Assistant Examiner—George D Kirschbaum

(74) *Attorney, Agent, or Firm*—Hedman & Costigan, P.C.;
Kathleen A. Costigan

(57) **CLAIM**

The ornamental design for a motion sensor lamp adaptor, as shown and described.

DESCRIPTION

FIG. 1 is a front and right side perspective view of a motion sensor lamp adaptor showing our new design;

FIG. 2 is a front elevational view thereof;

FIG. 3 is a left side elevational view thereof;

FIG. 4 is a top plan view thereof;

FIG. 5 is a rear elevational view thereof;

FIG. 6 is a bottom plan view thereof;

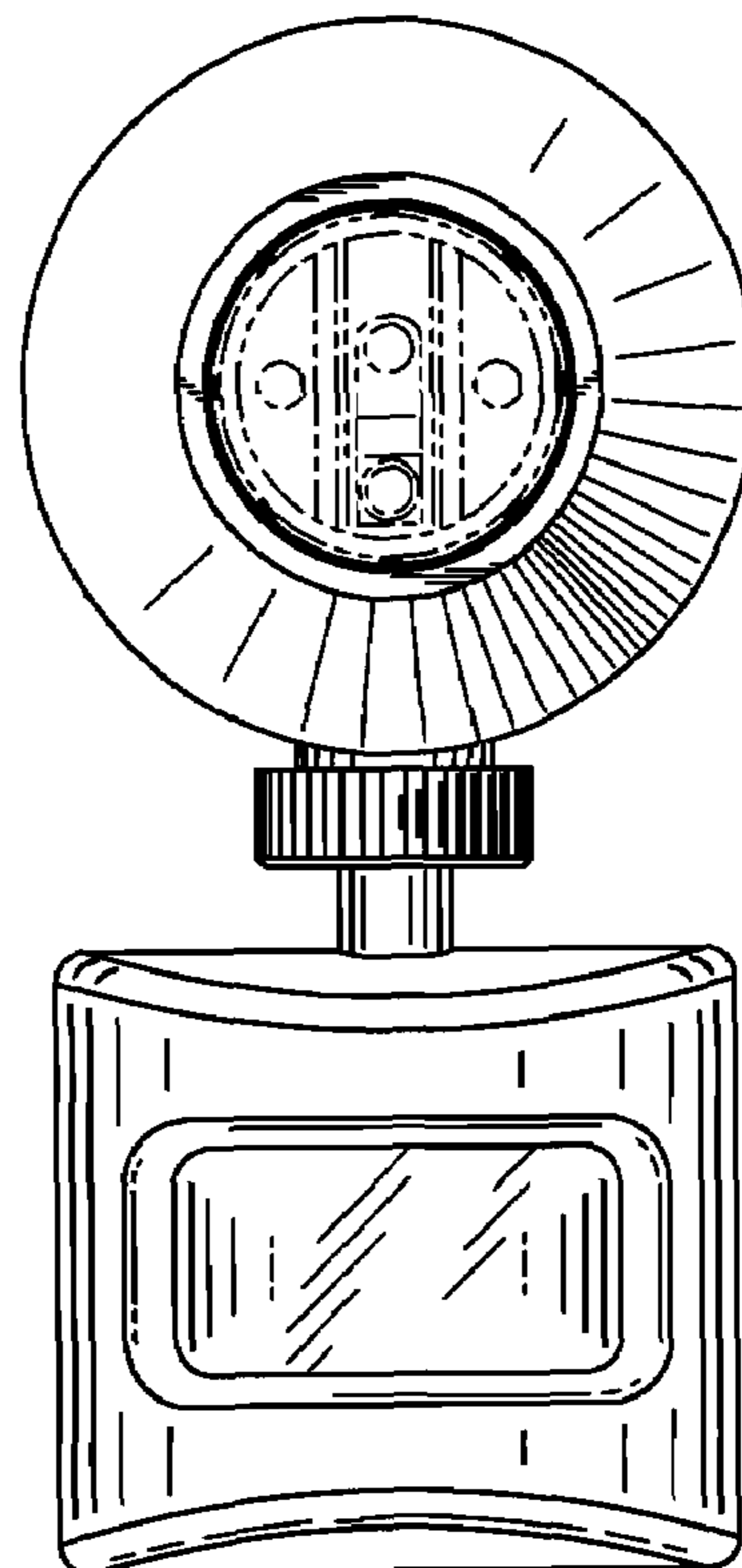
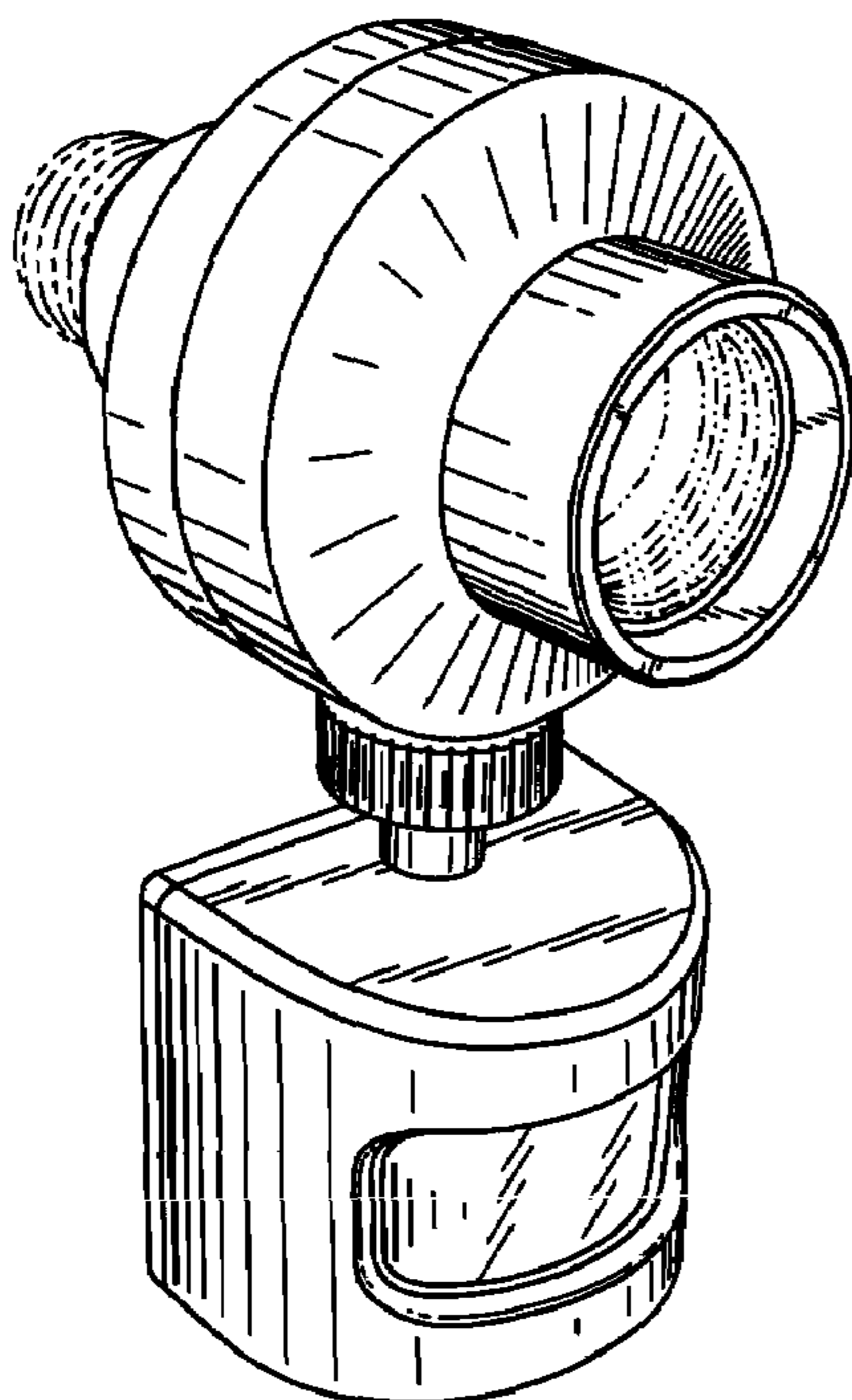
FIG. 7 is a left side elevational view thereof, with the motion sensor in an alternate position;

FIG. 8 is a left side elevational view thereof, with the motion sensor in an alternate position; and,

FIG. 9 is a front elevational view thereof, with the motion sensor in an alternate position.

The broken-line disclosure of elements in the views are understood to be functional aspects of the article in which the design is embodied and form no part of the claimed design.

1 Claim, 3 Drawing Sheets



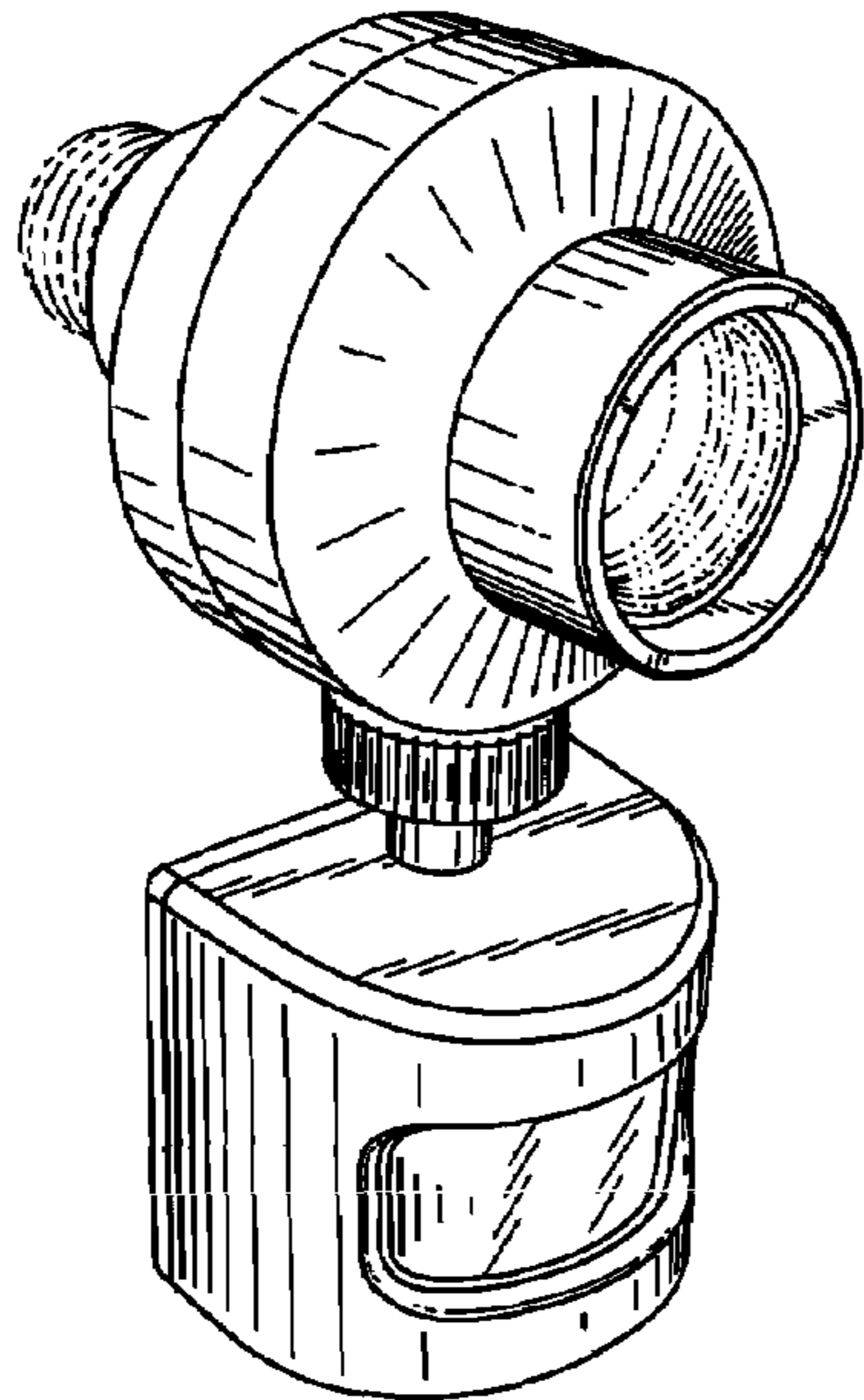


FIG. 1

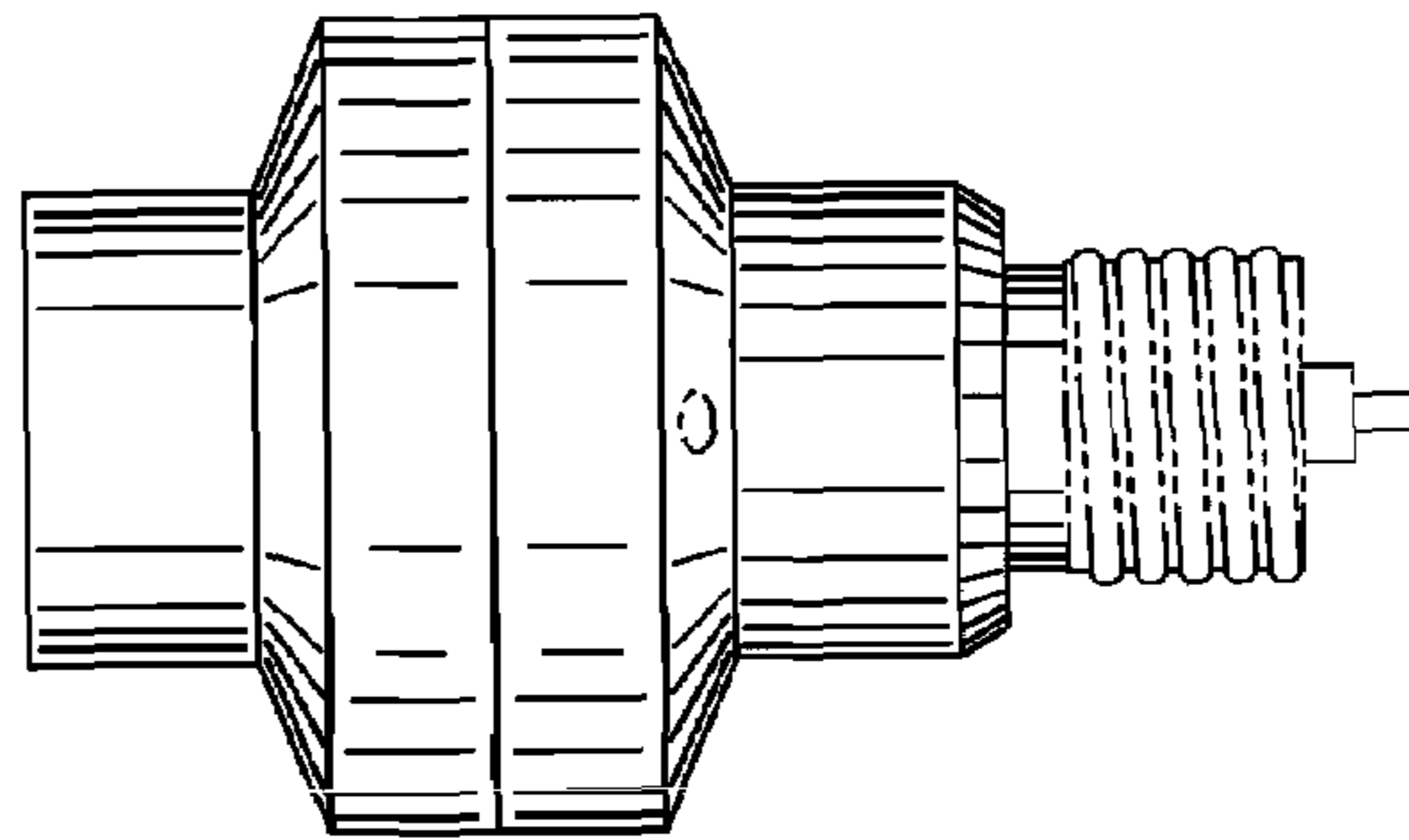


FIG. 4

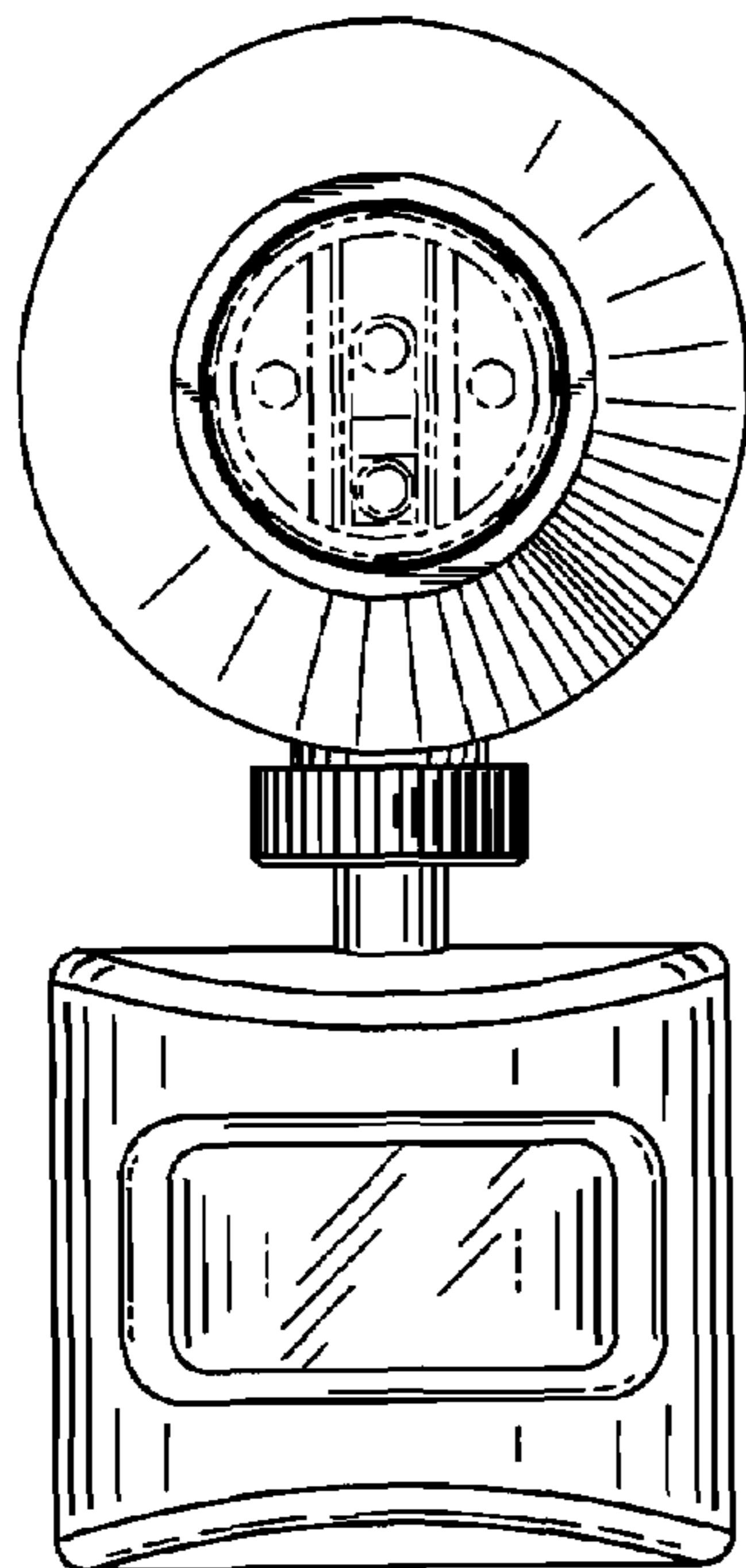


FIG. 2

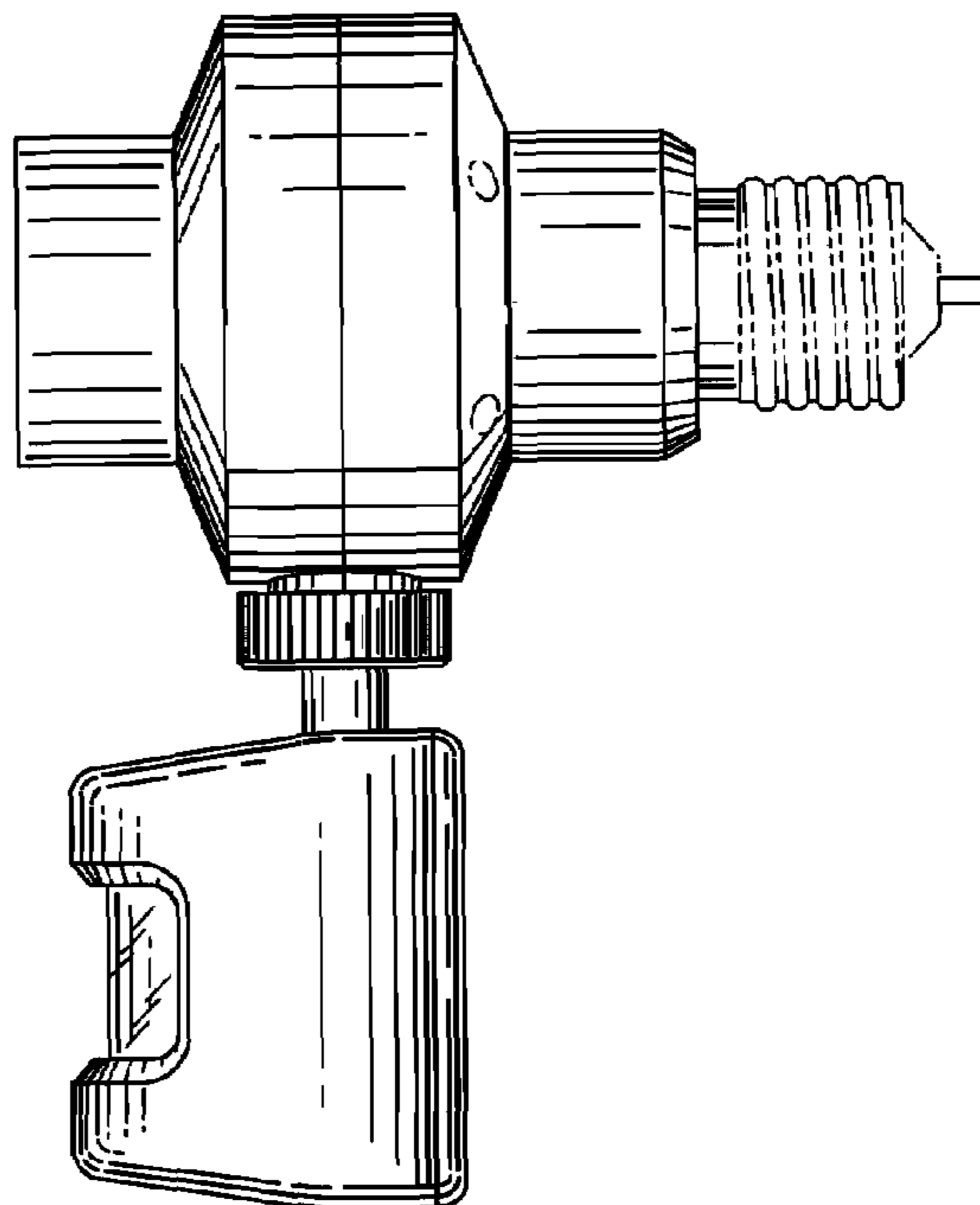


FIG. 3

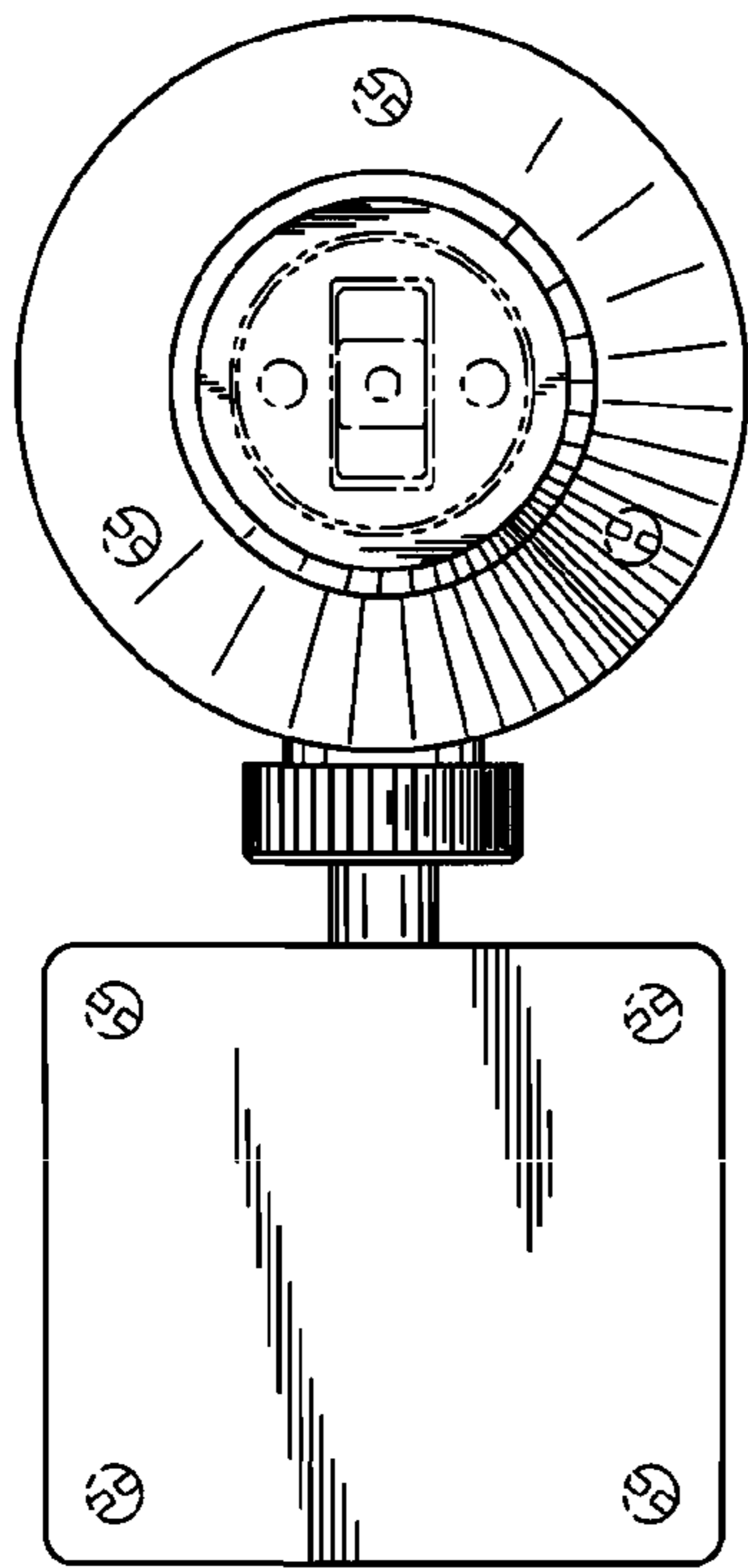


FIG. 5

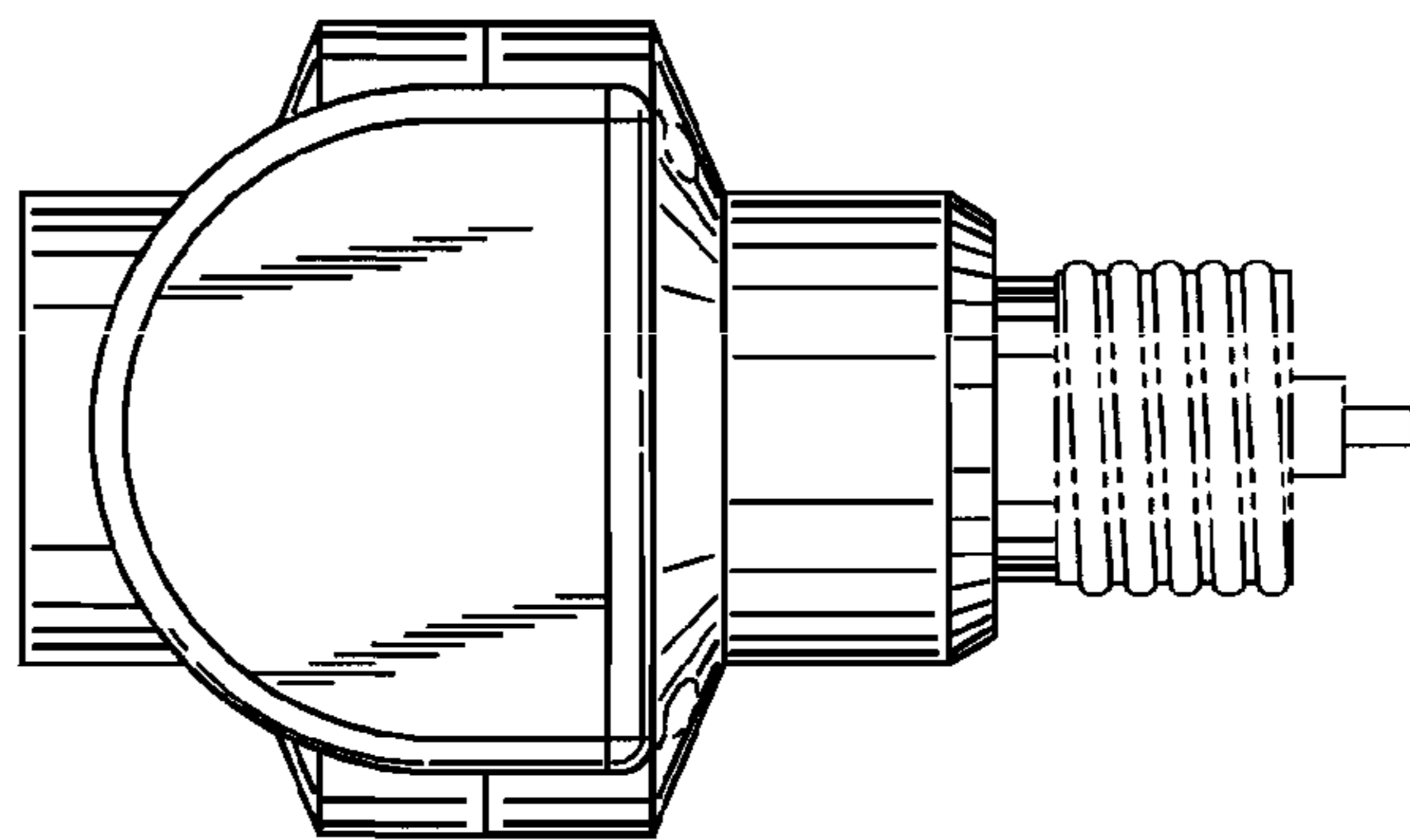


FIG. 6

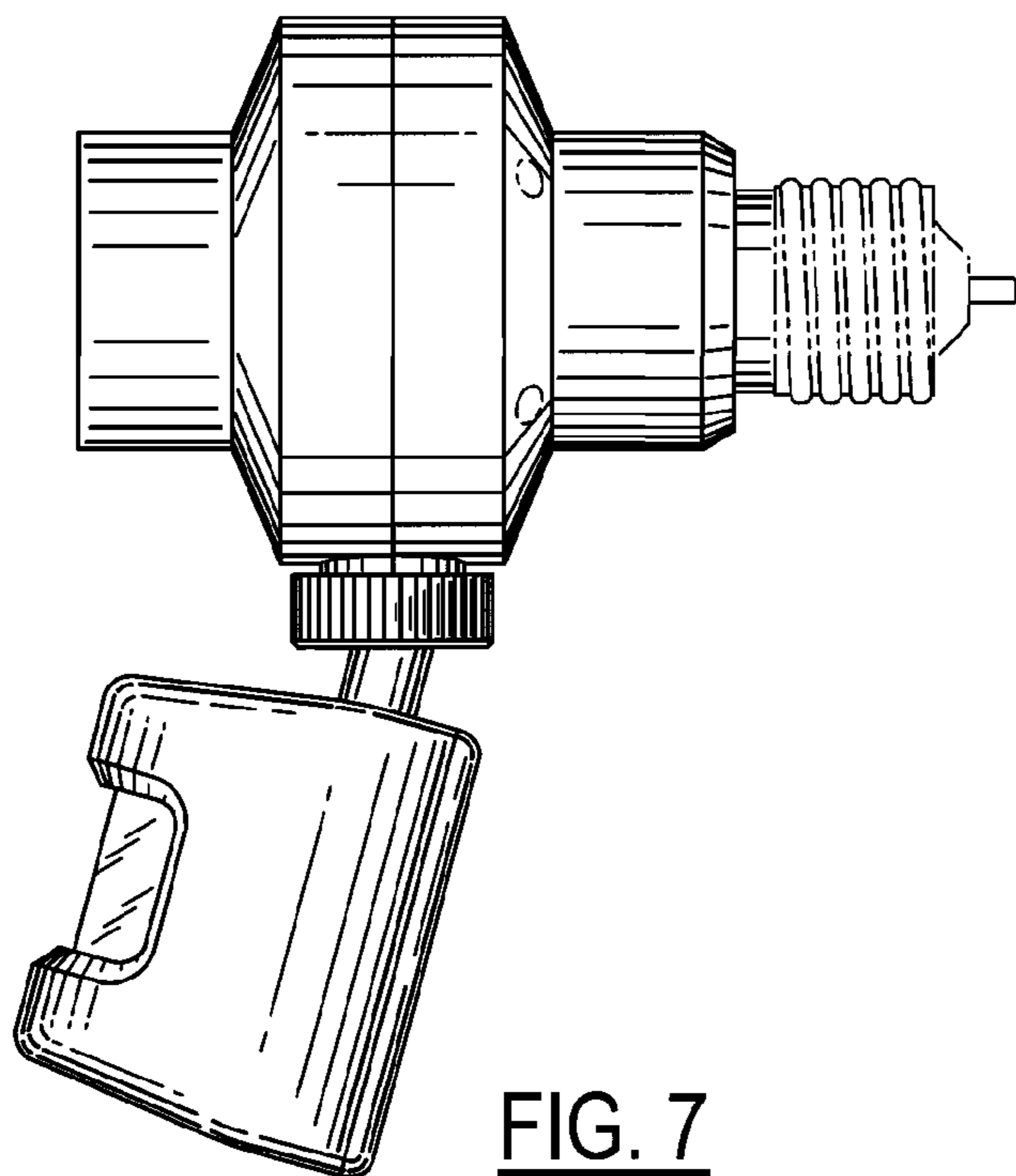


FIG. 7

