



(12) **United States Design Patent**
Wingate

(10) **Patent No.:** **US D609,590 S**
(45) **Date of Patent:** **** Feb. 9, 2010**

(54) **HAND HELD TOOL**

(75) Inventor: **Barry Wingate**, San Jose, CA (US)

(73) Assignee: **Zicron Corp.**, Campbell, CA (US)

(**) Term: **14 Years**

(21) Appl. No.: **29/325,073**

(22) Filed: **Sep. 25, 2008**

(51) **LOC (9) Cl.** **10-04**

(52) **U.S. Cl.** **D10/65; D10/62**

(58) **Field of Classification Search** D10/62,
D10/65; 33/227, 286, 290, 760; 324/67
See application file for complete search history.

(56) **References Cited**

U.S. PATENT DOCUMENTS

D412,674	S	8/1999	Kaiser	
D498,151	S	11/2004	Cook	
7,013,570	B2	3/2006	Levine et al.	
D529,403	S	10/2006	Liu	
D530,232	S	10/2006	Gist	
7,193,405	B2	3/2007	Murray	
7,222,437	B2	5/2007	Spanski et al.	
7,287,336	B1	10/2007	Goodrich	
7,316,073	B2	1/2008	Murray	
2004/0255477	A1	12/2004	Levine et al.	
2006/0021243	A1	2/2006	Spanski et al.	
2007/0107241	A1*	5/2007	Sergyeyenko	33/290
2007/0153532	A1	7/2007	Milligan et al.	
2008/0238403	A1	10/2008	Sanoner et al.	

OTHER PUBLICATIONS

Stanley Intellilaser Pro Laser Line Level/Stud Finder, <www.stanleyworks.com>, available as early as 2003.
Welcome to Bosch, <www.boschtools.com.au/>, available at least as early as Sep. 25, 2008.
Amazon.com Search Results for “stud finder sensor”, available at least as early as Sep. 25, 2008.
Strait-Line Stud Finder 60, <www.strait-line.com>, available as early as Jun. 2003.

Strait-Line Stud Finder 75, <www.strait-line.com>, available at least as early as Sep. 25, 2008.

Strait-Line Stud Finder 150, <www.strait-line.com>, available at least as early as Sep. 25, 2008.

Strait-Line Wall Scanner 150LCD, <www.strait-line.com>, available at least as early as Sep. 25, 2008.

Black and Decker Alkaline Stud Finder Model # SF100, <blackand-decker.com>, available at least as early as Sep. 25, 2008.

* cited by examiner

Primary Examiner—Antoine D Davis

(74) *Attorney, Agent, or Firm*—Saidman DesignLaw Group

(57) **CLAIM**

The ornamental design for a hand held tool, as shown and described.

DESCRIPTION

FIG. 1 is a perspective view of a first embodiment of a hand held tool showing my new design;

FIG. 2 is a front view thereof;

FIG. 3 is a rear view thereof;

FIG. 4 is a right-side view thereof;

FIG. 5 is a left-side view thereof;

FIG. 6 is a top view thereof;

FIG. 7 is a perspective view of a second embodiment of a hand held tool showing my new design;

FIG. 8 is a front view thereof;

FIG. 9 is a rear view thereof;

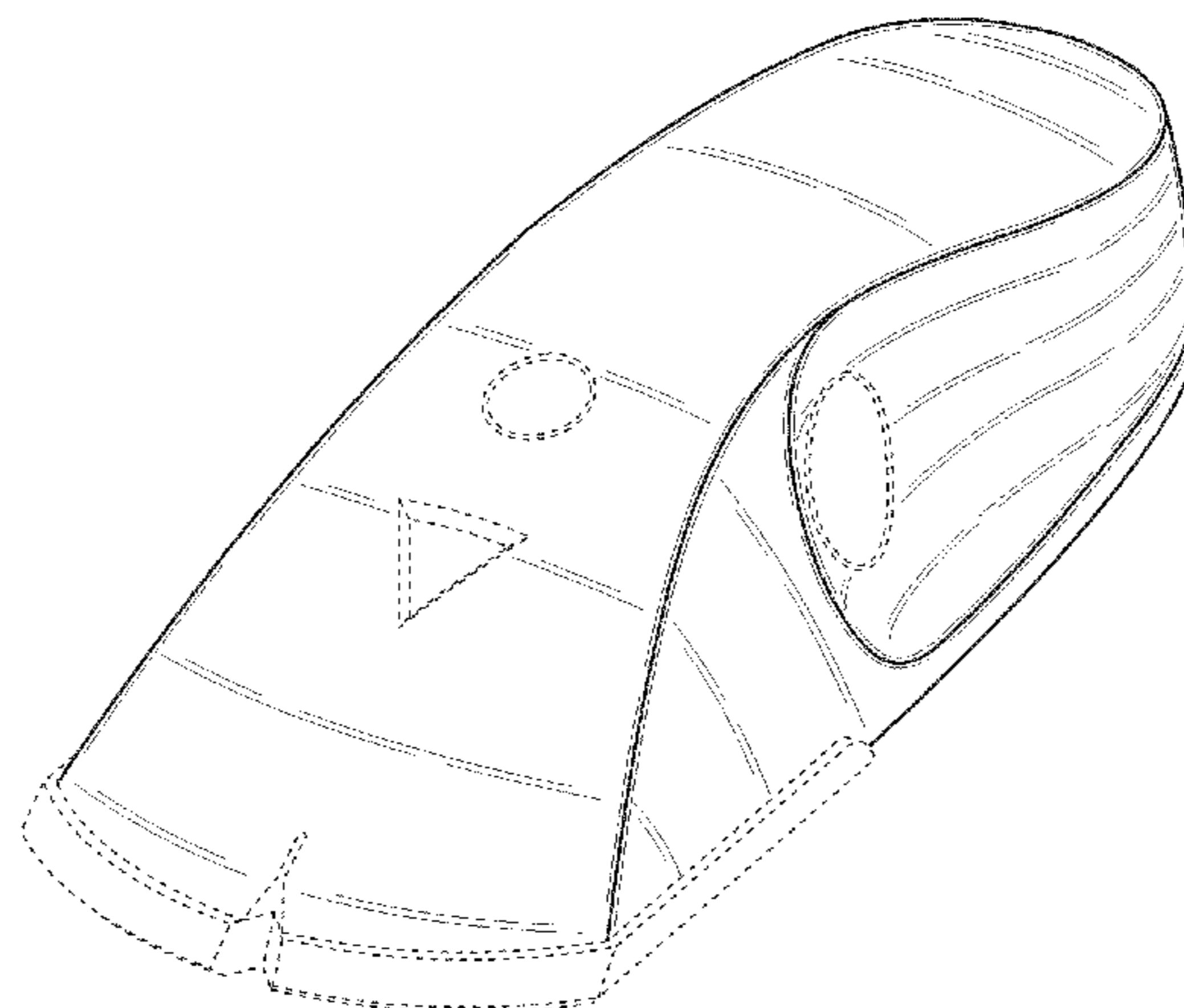
FIG. 10 is a right-side view thereof;

FIG. 11 is a left-side view thereof; and,

FIG. 12 is a top view thereof.

The bottom view has been omitted and forms no part of the claimed design. The broken lines shown in FIGS. 1–12 represent environmental subject matter and form no part of the claimed design.

1 Claim, 8 Drawing Sheets



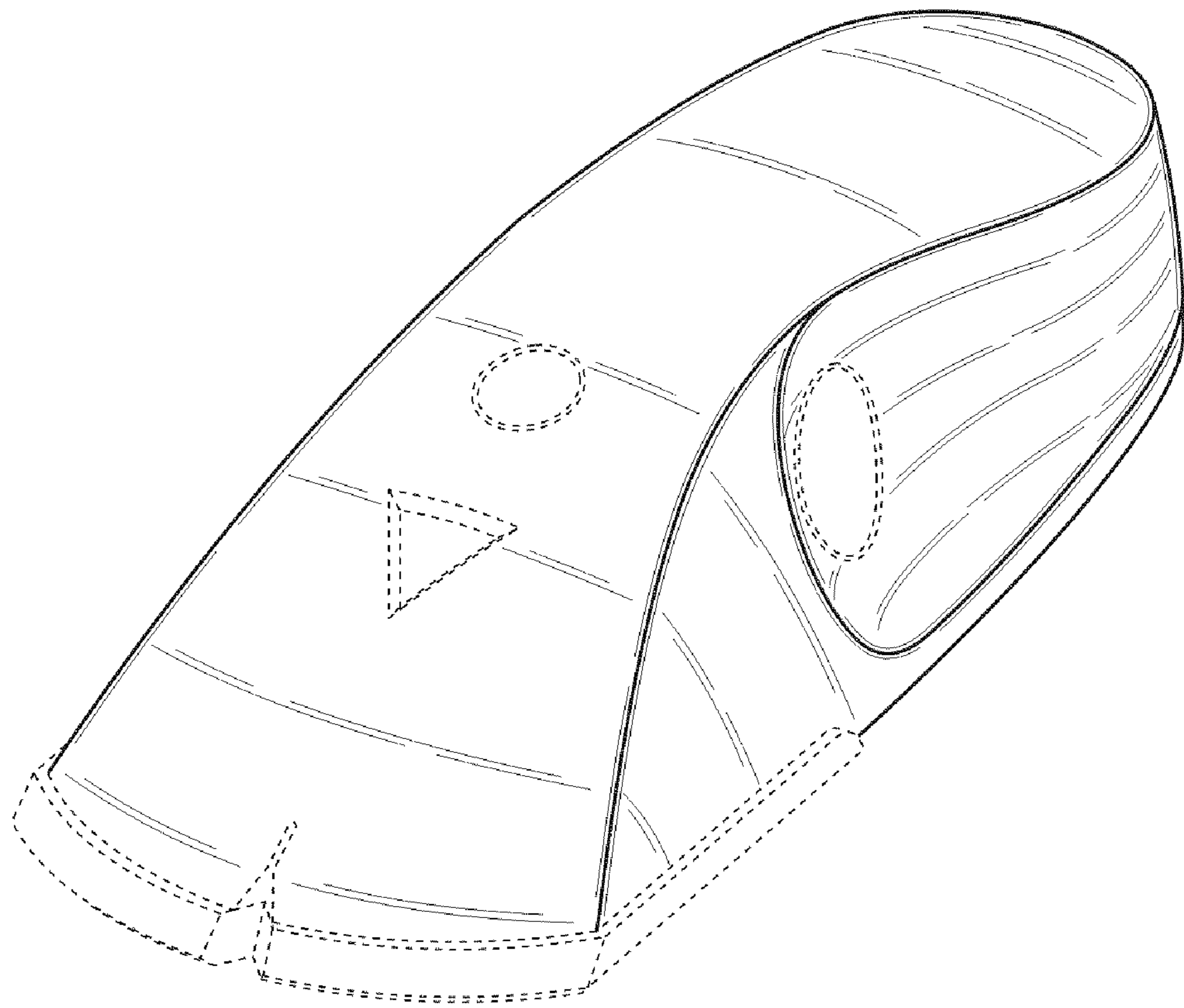


Fig. 1

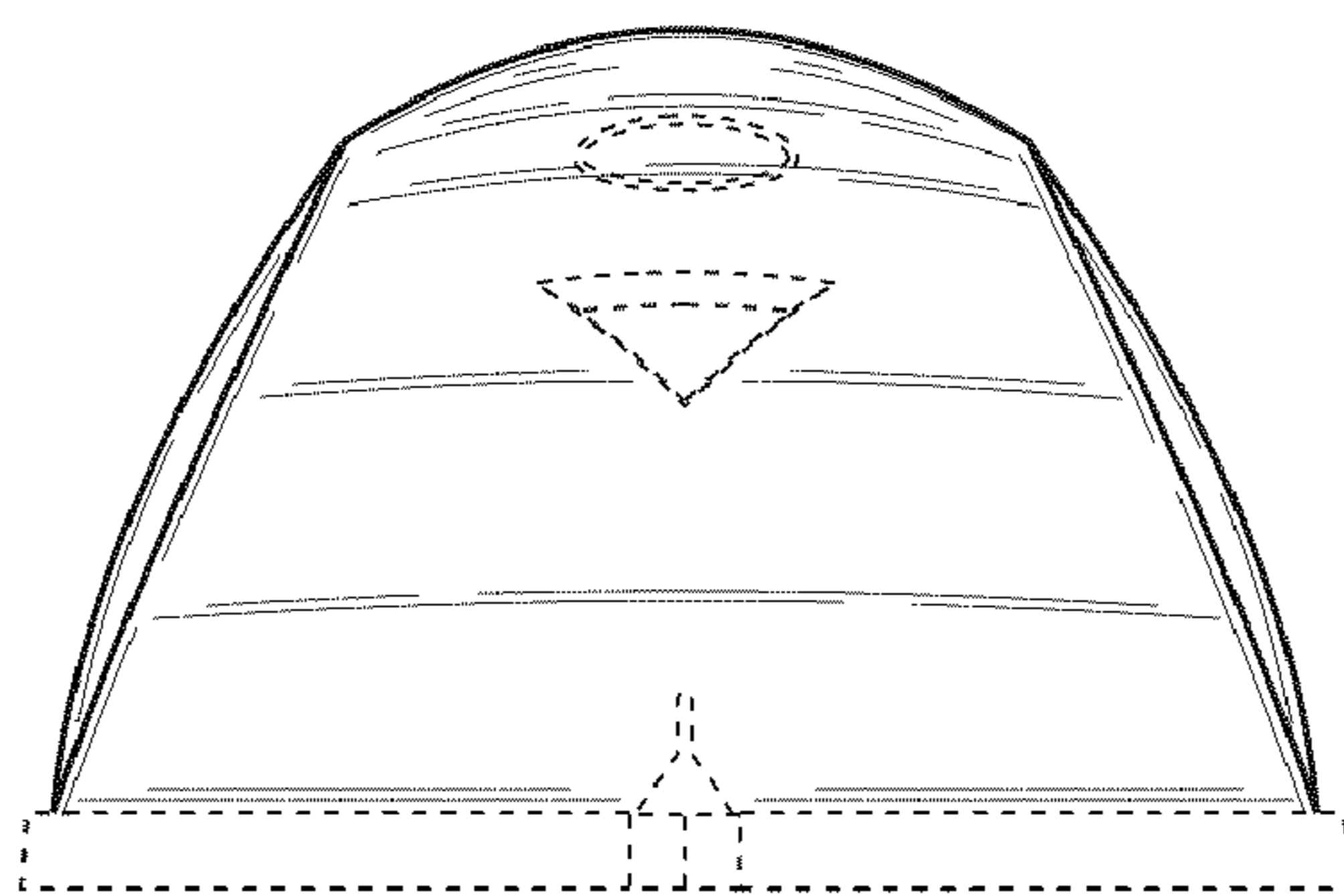


Fig. 2

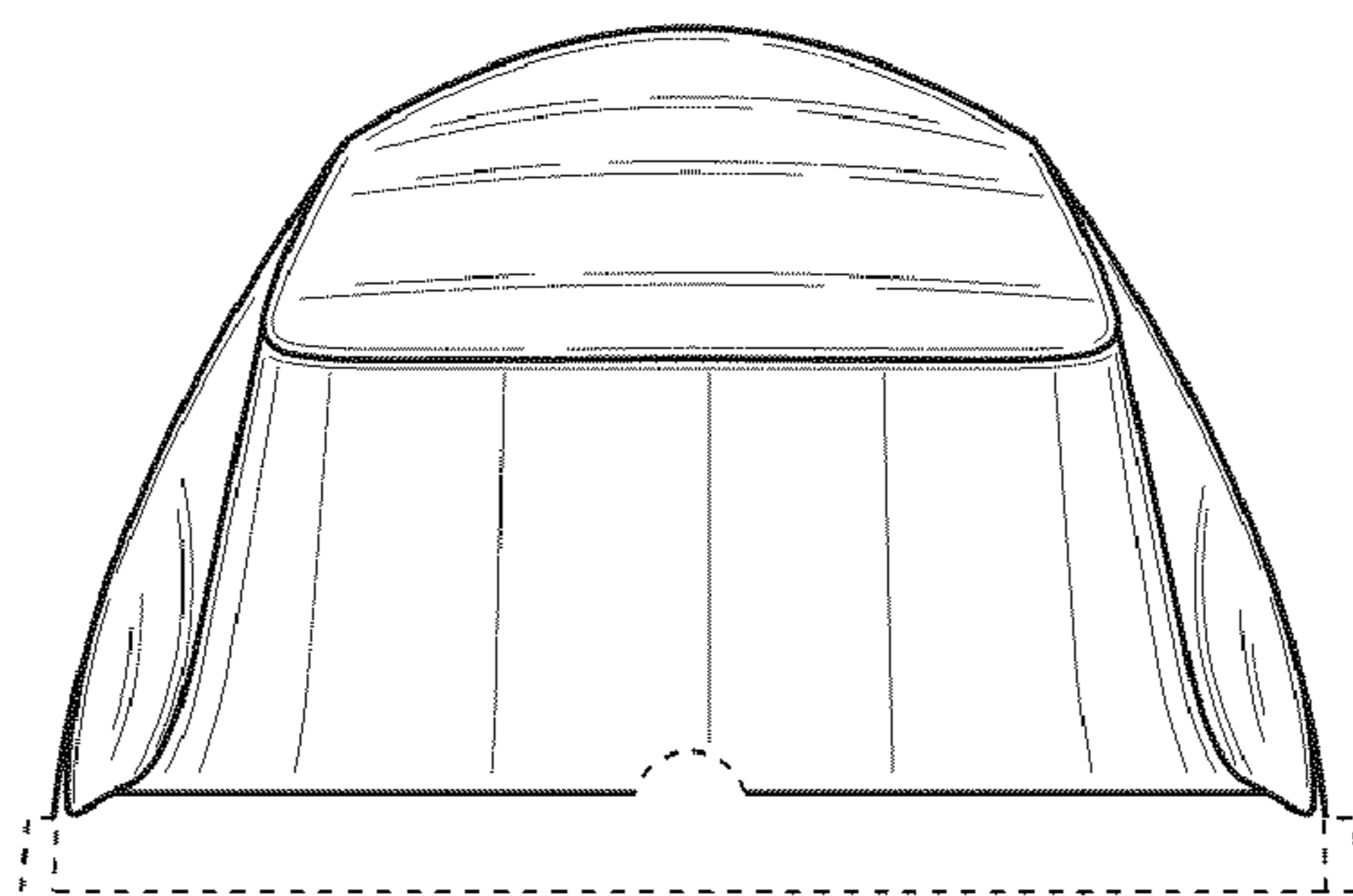


Fig. 3

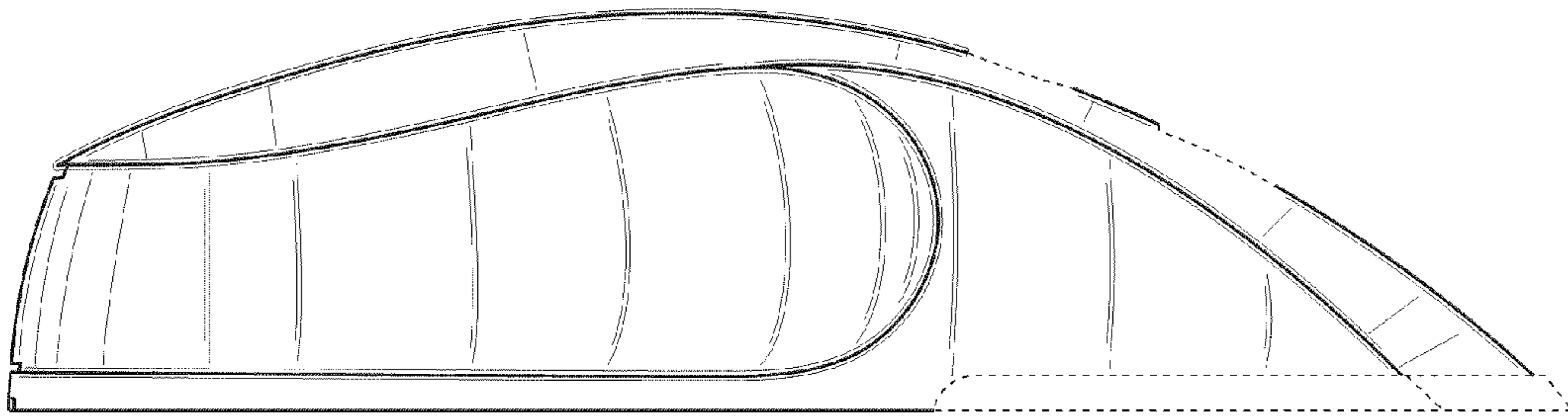


Fig. 4

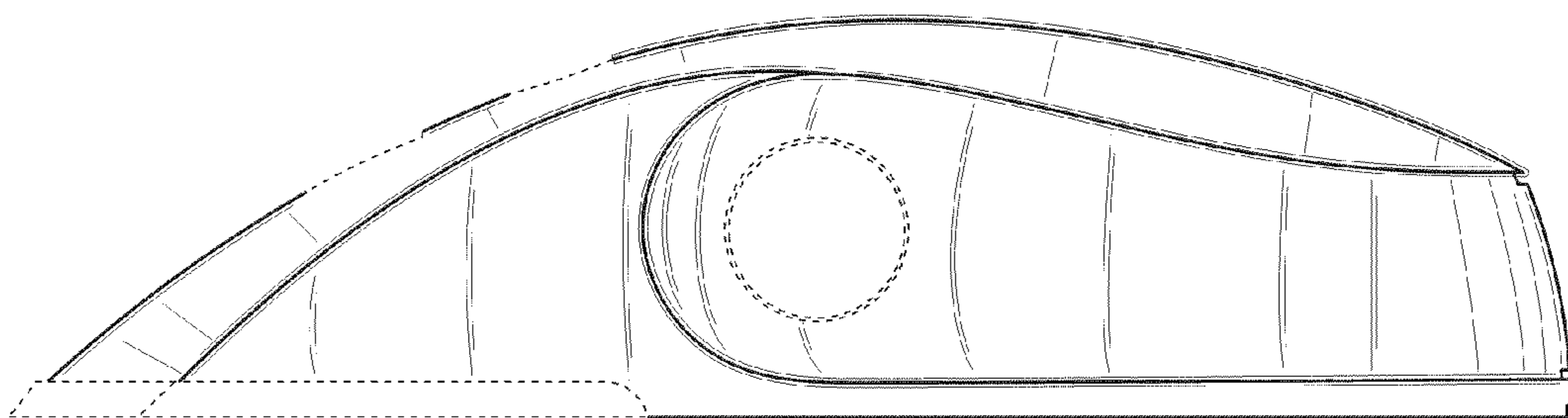


Fig. 5

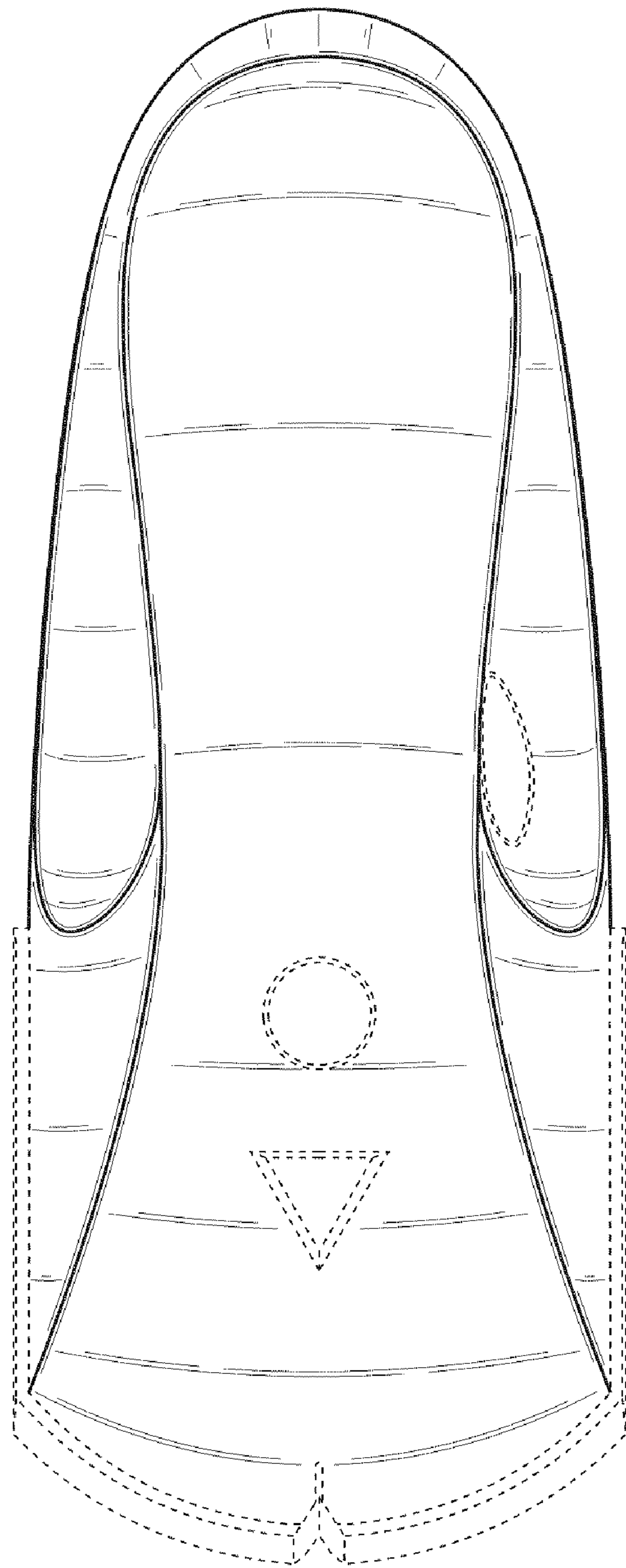


Fig. 6

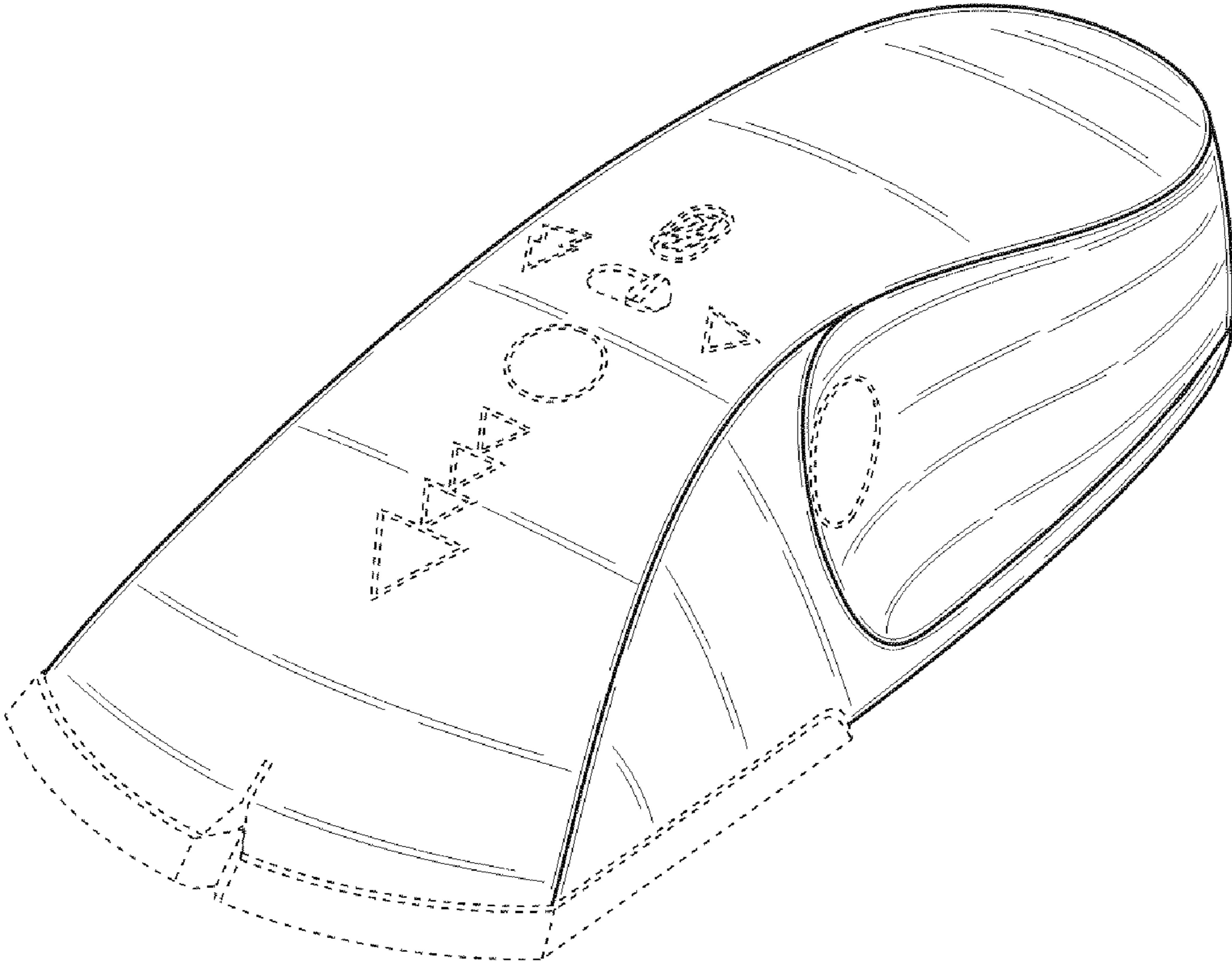


Fig. 7

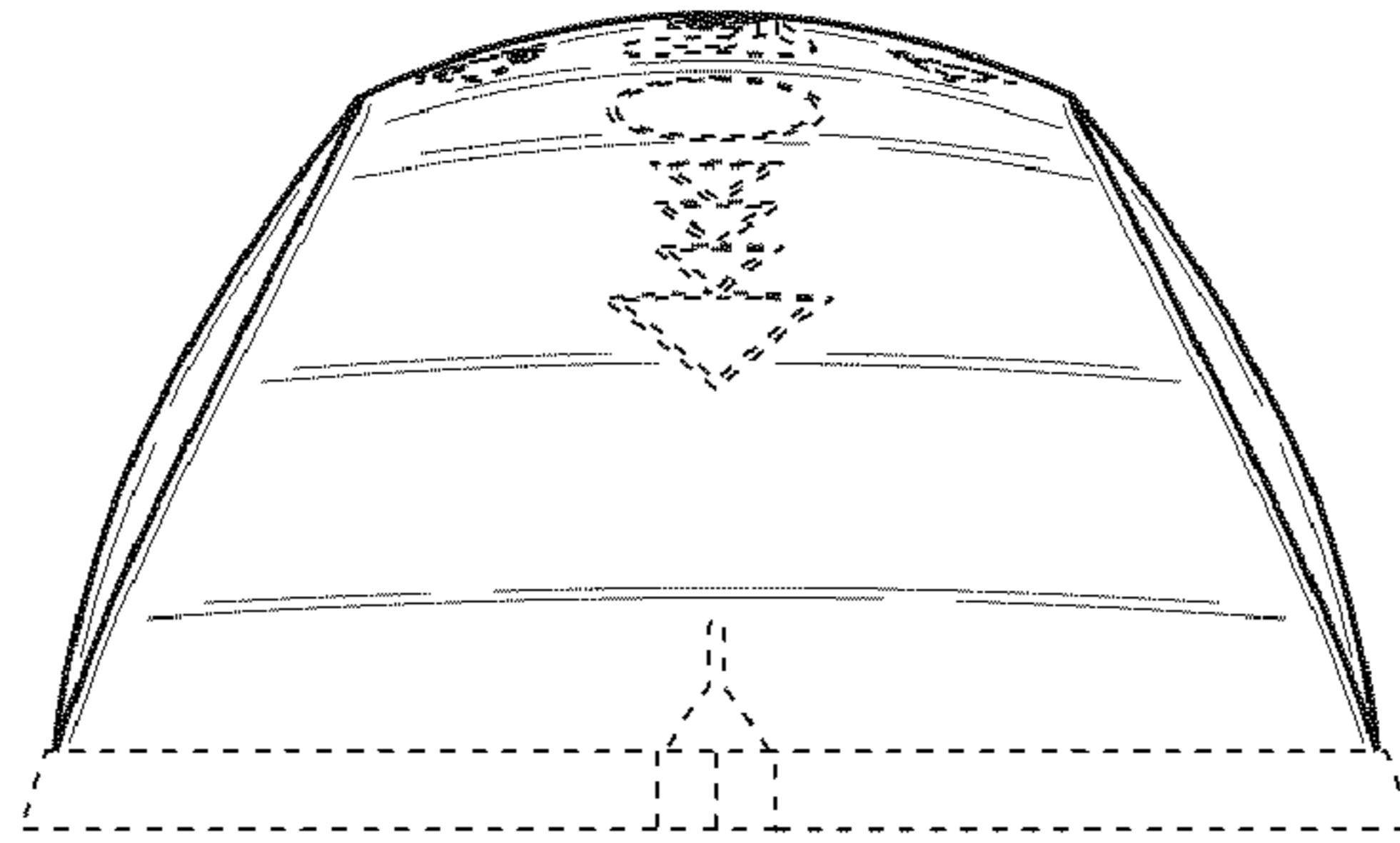


Fig. 8

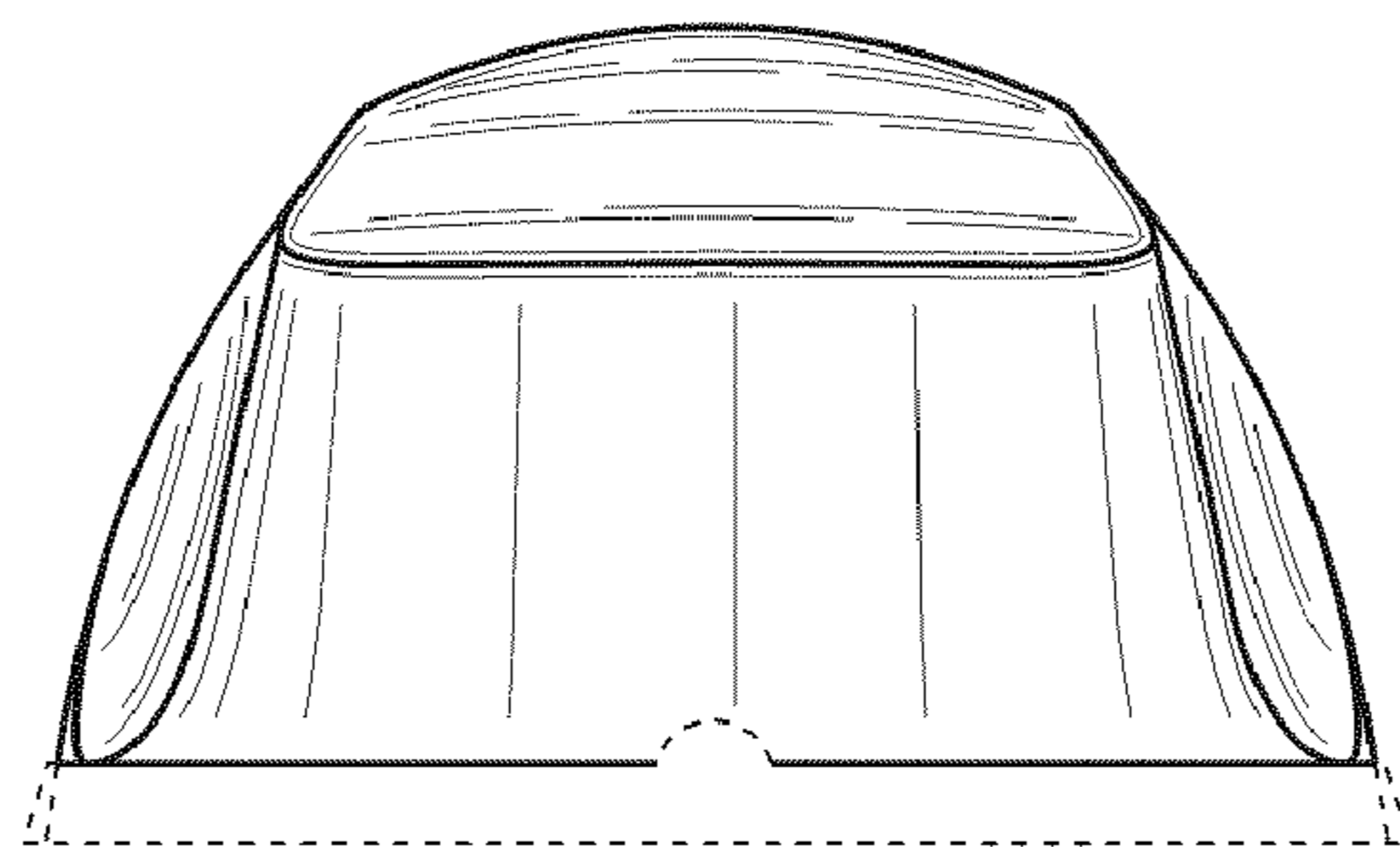


Fig. 9

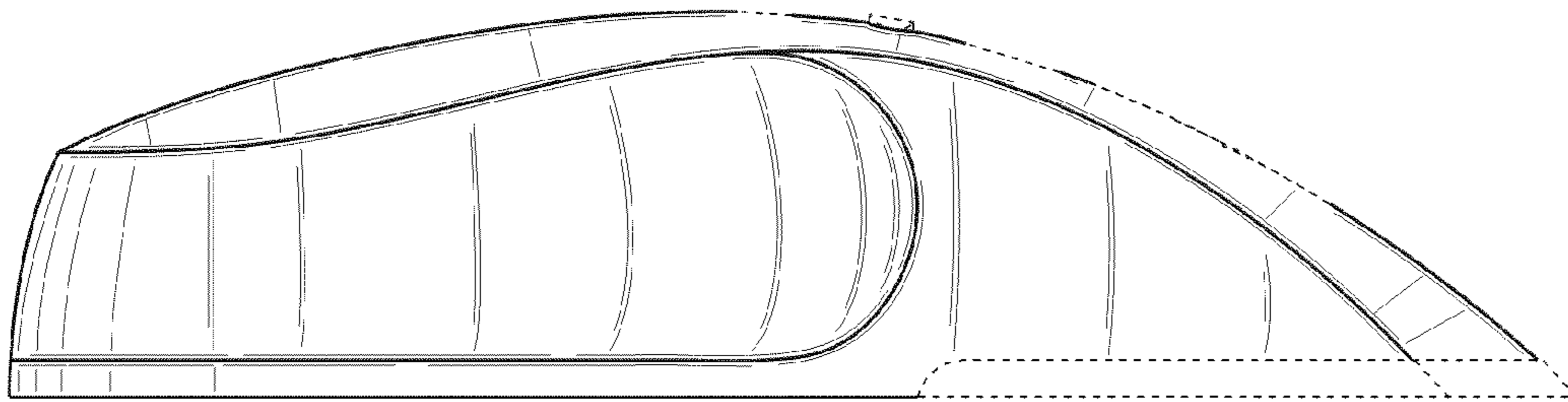


Fig. 10

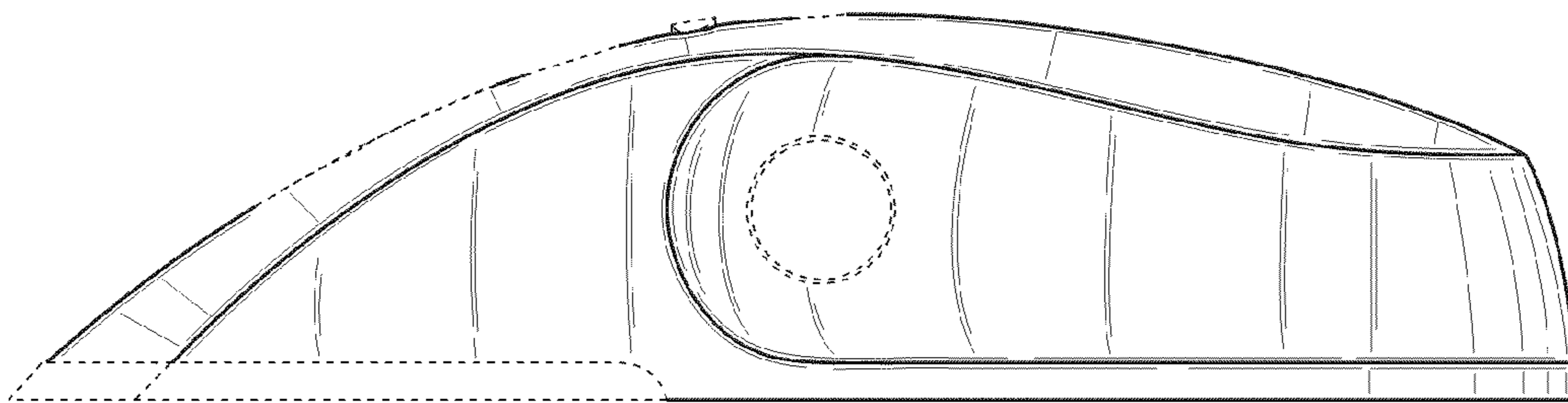


Fig. 11

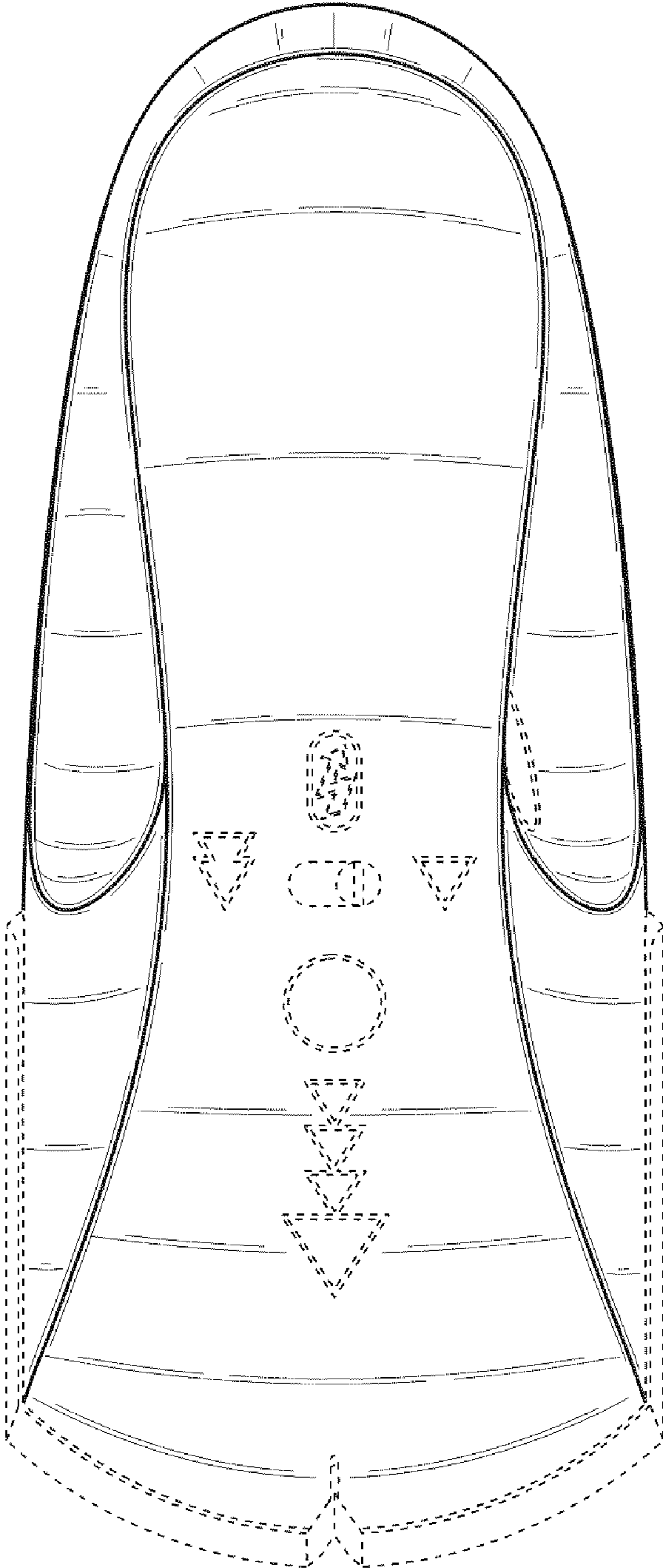


Fig. 12

UNITED STATES PATENT AND TRADEMARK OFFICE
CERTIFICATE OF CORRECTION

PATENT NO. : Des. 609,590 S
APPLICATION NO. : 29/325073
DATED : February 9, 2010
INVENTOR(S) : Barry Wingate

Page 1 of 1

It is certified that error appears in the above-identified patent and that said Letters Patent is hereby corrected as shown below:

Title Page, Item (63) Assignee

Currently reads

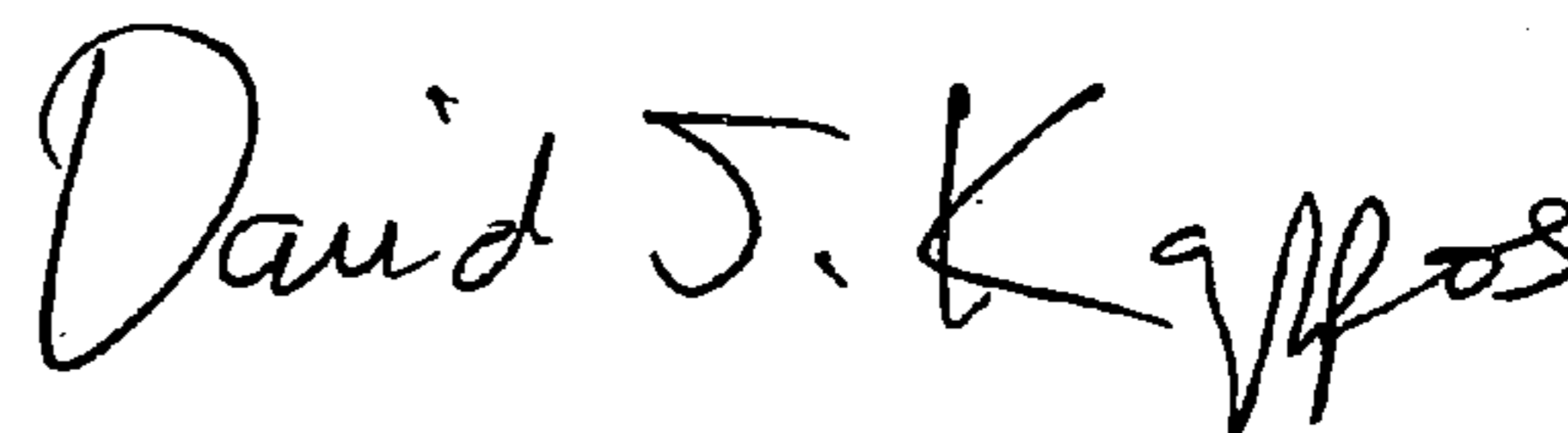
Zircon Corp., Campbell, CA (US)

Should read

--Zircon Corp., Campbell, CA (US)--

Signed and Sealed this

Thirtieth Day of March, 2010

A handwritten signature in black ink that reads "David J. Kappos". The signature is written in a cursive, flowing style.

David J. Kappos
Director of the United States Patent and Trademark Office