



US00D609589S

(12) **United States Design Patent**
Nakata et al.

(10) **Patent No.:** **US D609,589 S**
(45) **Date of Patent:** **** Feb. 9, 2010**

(54) **GAP GAUGES WITH A CASE**

(75) Inventors: **Tomohiro Nakata**, Osaka (JP); **Michio Yamaji**, Osaka (JP); **Tsutomu Shinohara**, Osaka (JP); **Akihiro Harada**, Osaka (JP); **Masaya Aishima**, Osaka (JP)

(73) Assignee: **Fujikin Incorporated**, Osaka-shi (JP)

(**) Term: **14 Years**

(21) Appl. No.: **29/311,344**

(22) Filed: **Feb. 27, 2009**

(30) **Foreign Application Priority Data**

Sep. 11, 2008 (JP) 2008-023359

(51) **LOC (9) Cl.** **10-04**

(52) **U.S. Cl.** **D10/65**

(58) **Field of Classification Search** D10/65;
33/501.7, 501.13, 501.14–501.18, 542–542.1
See application file for complete search history.

(56) **References Cited**

U.S. PATENT DOCUMENTS

6,438,858	B1 *	8/2002	Arnold et al.	33/542
7,243,437	B1 *	7/2007	Estrada	33/539
2008/0173156	A1 *	7/2008	May	33/806

* cited by examiner

Primary Examiner—Antoine D Davis

(74) *Attorney, Agent, or Firm*—Edwards Angell Palmer & Dodge LLP

(57) **CLAIM**

The ornamental design for a gap gauges with a case, as shown and described.

DESCRIPTION

FIG. 1 is a perspective view of a gap gauges with a case showing our new design;

FIG. 2 is a front view thereof;

FIG. 3 is a plan view thereof;

FIG. 4 is a left side view thereof;

FIG. 5 is a right side view thereof;

FIG. 6 is a cross sectional view taken along line 6—6 of FIG. 2;

FIG. 7 is a cross-sectional view taken along line 7—7 of FIG. 2;

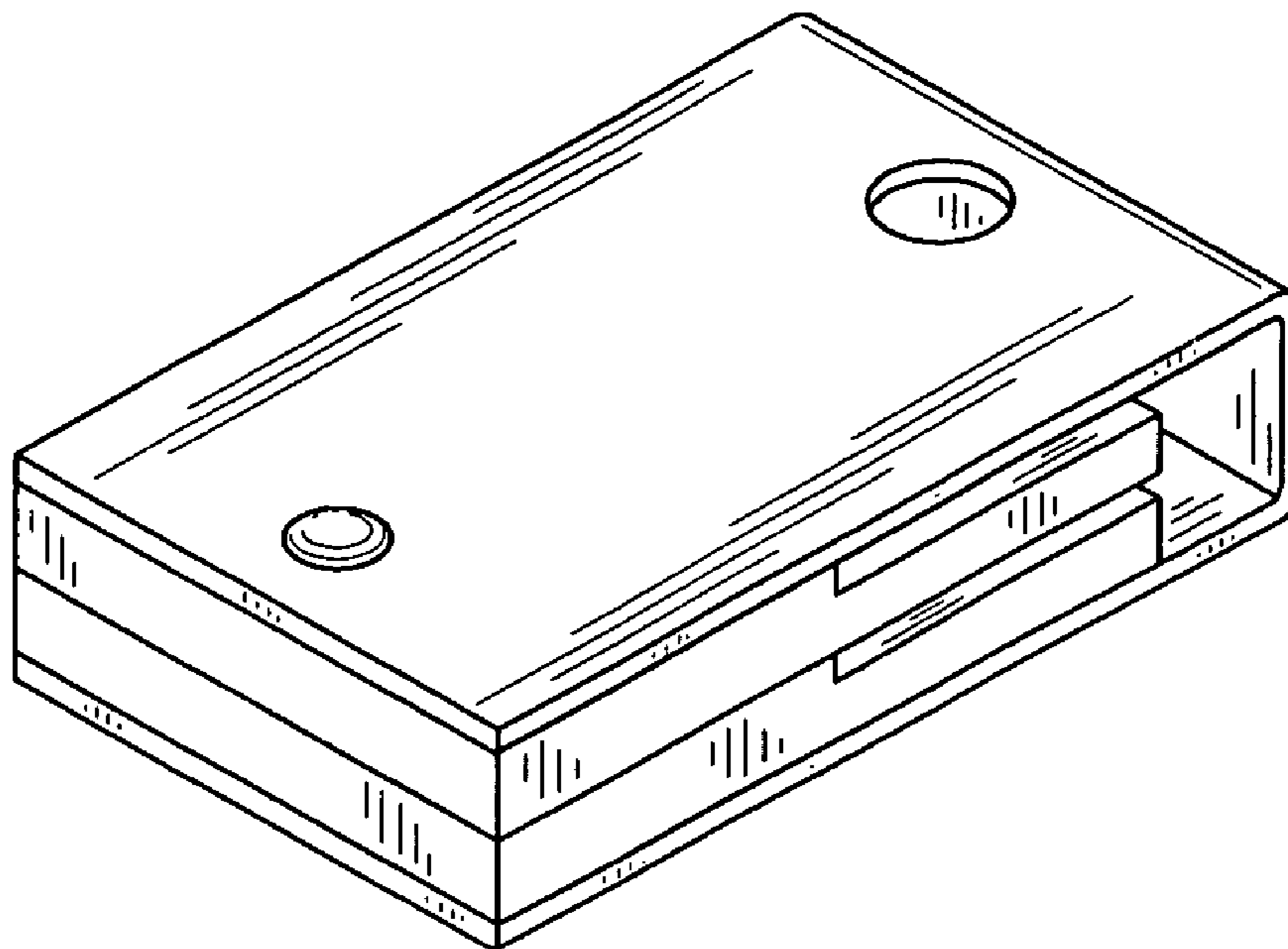
FIG. 8 is a cross-sectional view taken along line 8—8 of FIG. 3;

FIG. 9 is a perspective view with upper gap gauge put out;

FIG. 10 is a perspective view with lower gap gauge put out; and,

FIG. 11 is a reference drawing showing the use of the article of design.

1 Claim, 5 Drawing Sheets



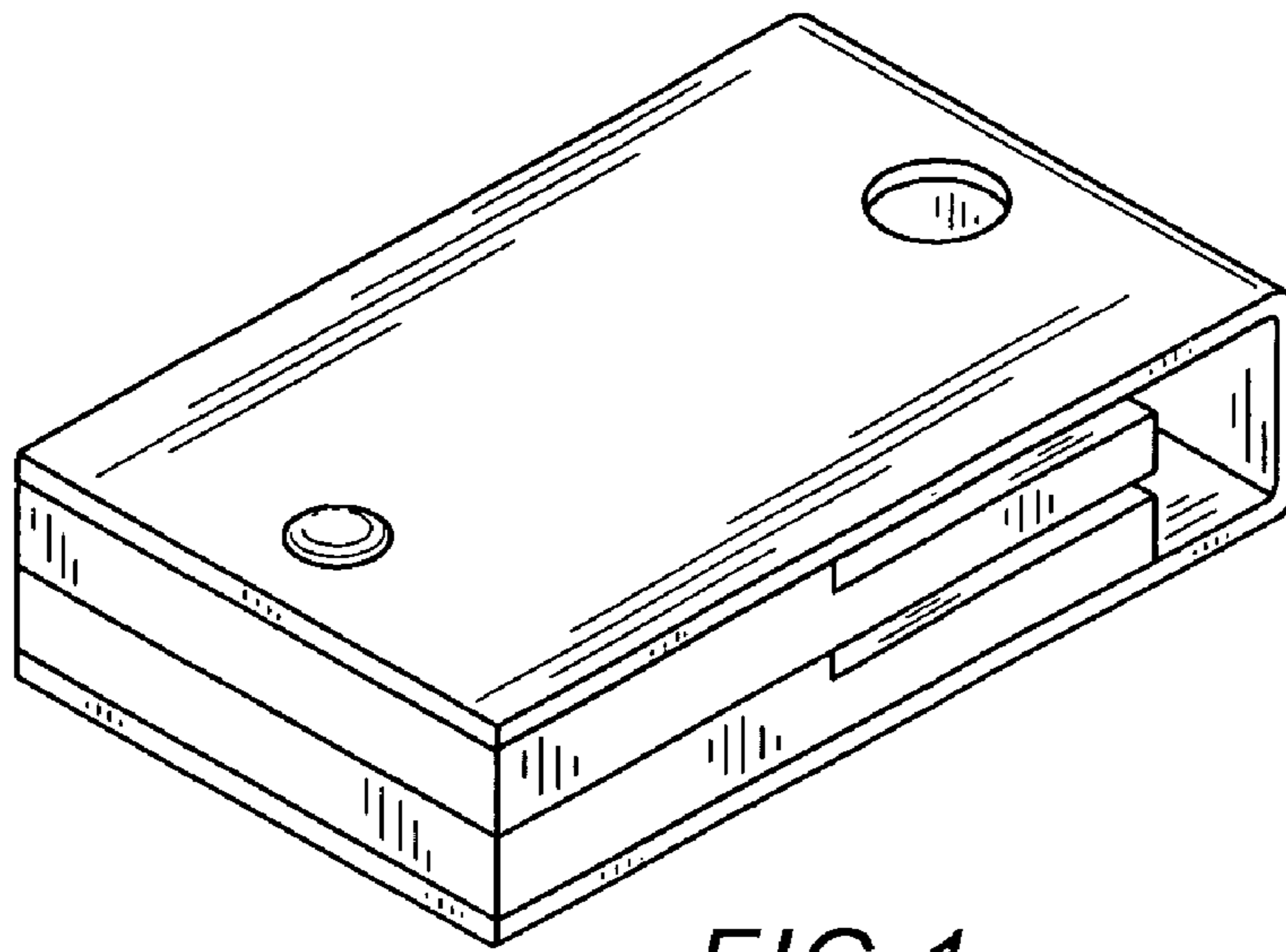


FIG. 1

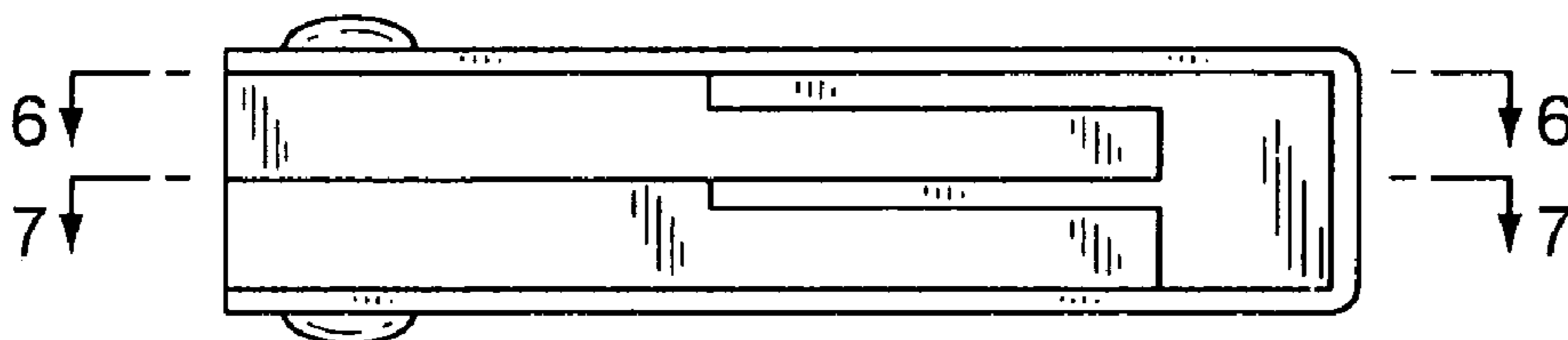


FIG. 2

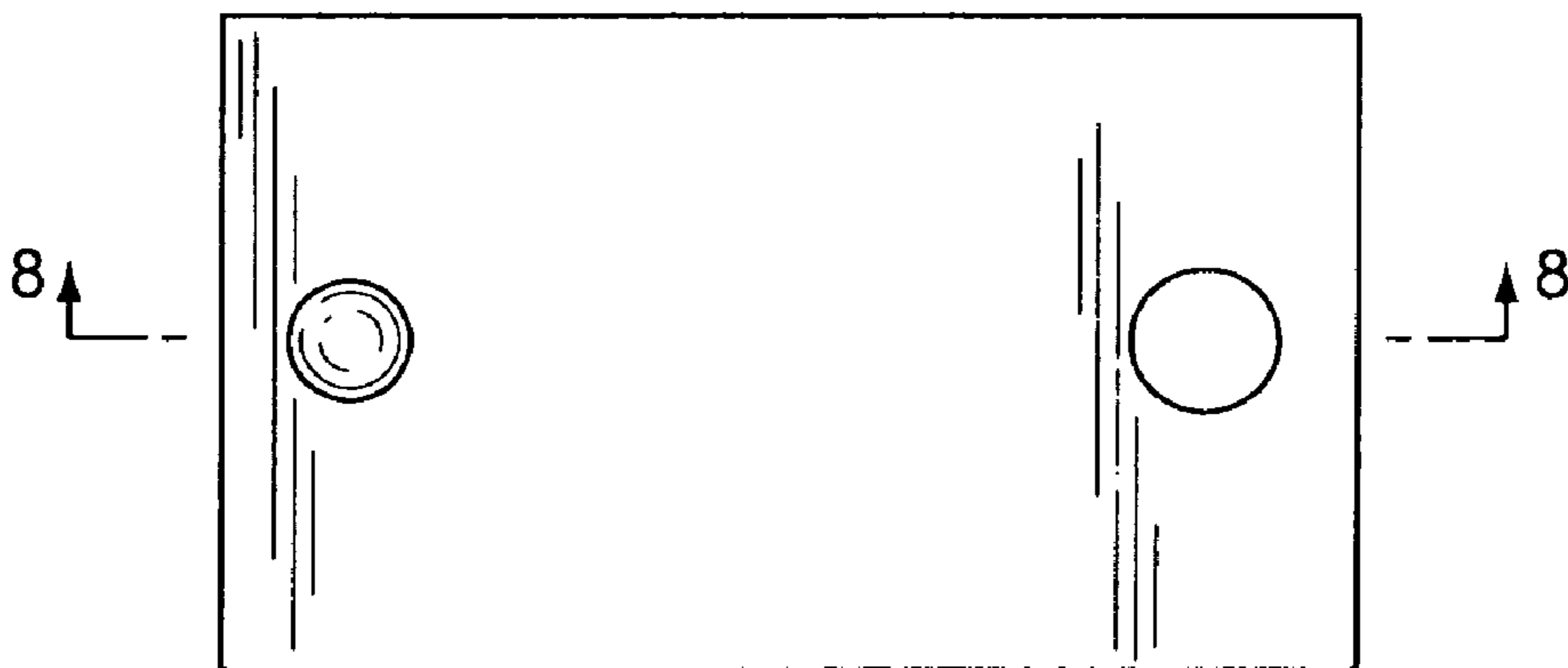


FIG. 3

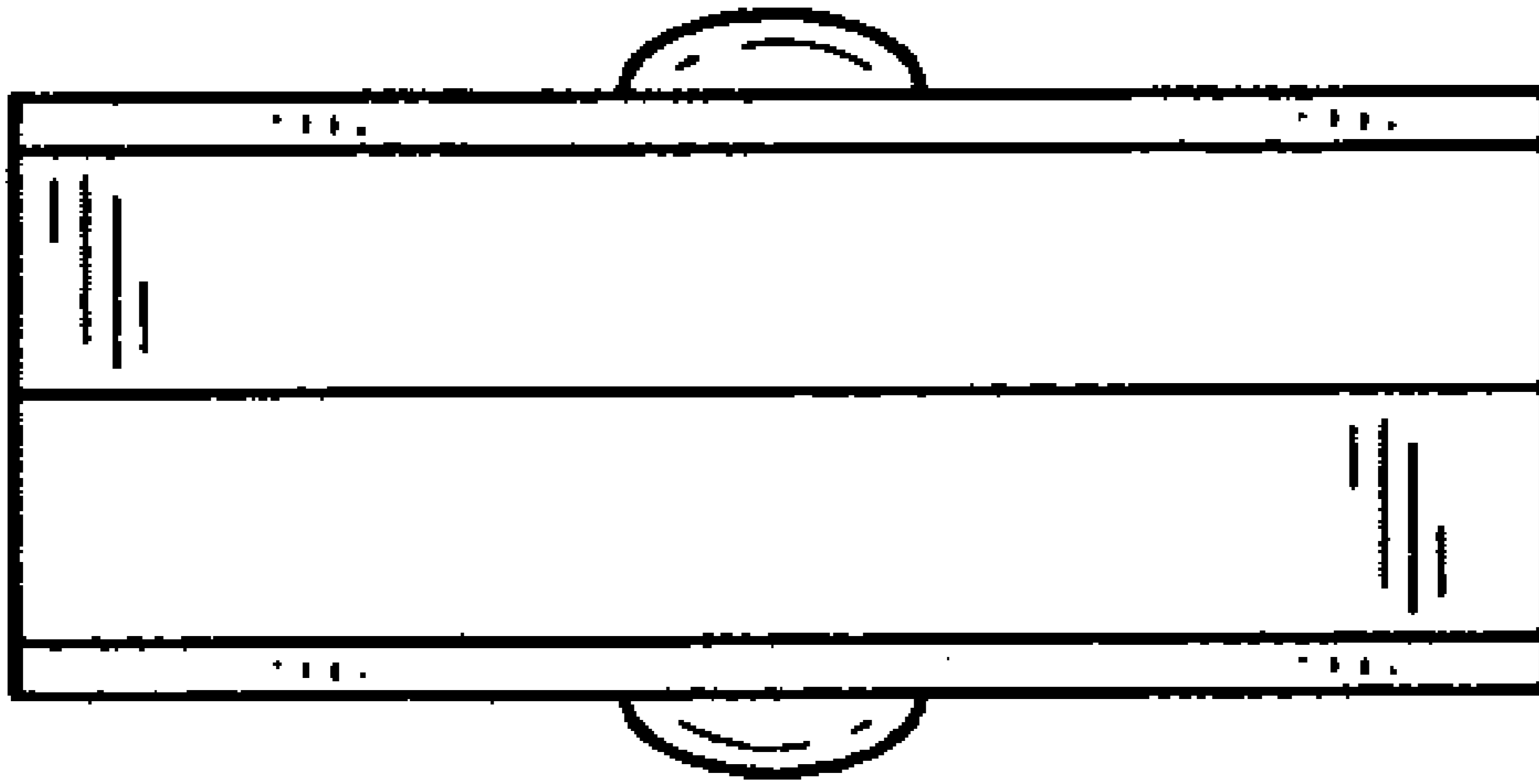


FIG. 4

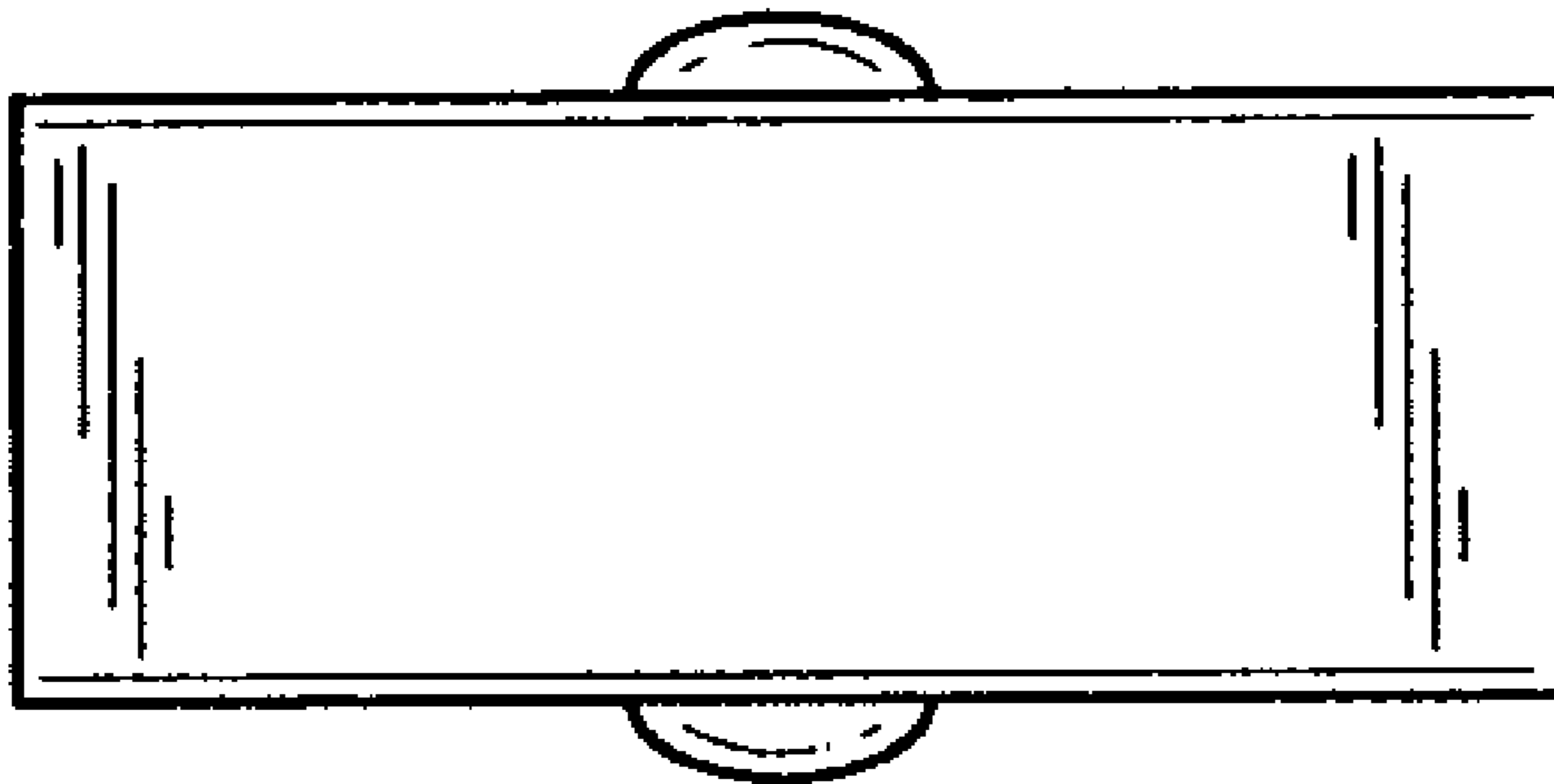


FIG. 5

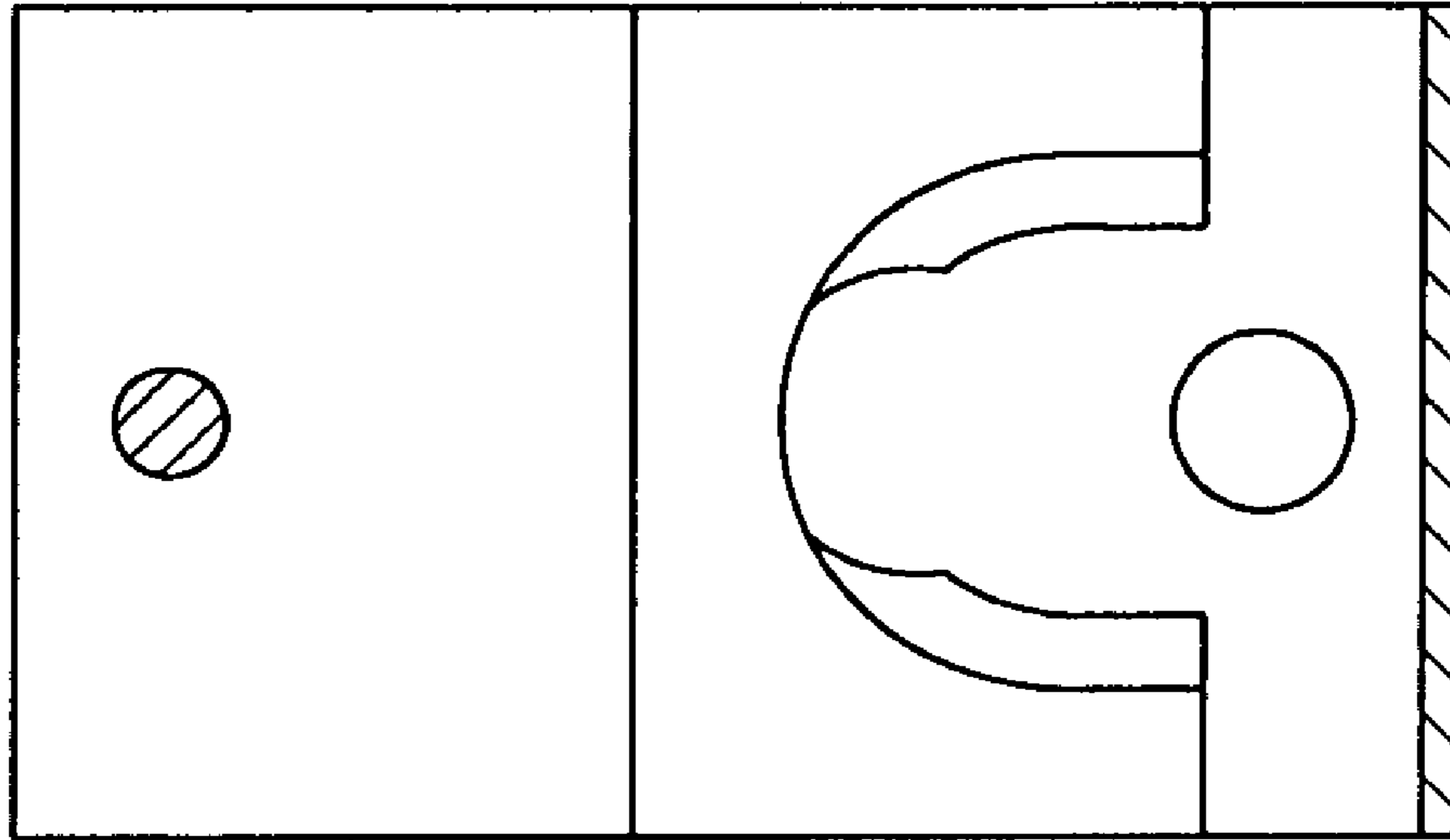


FIG. 6

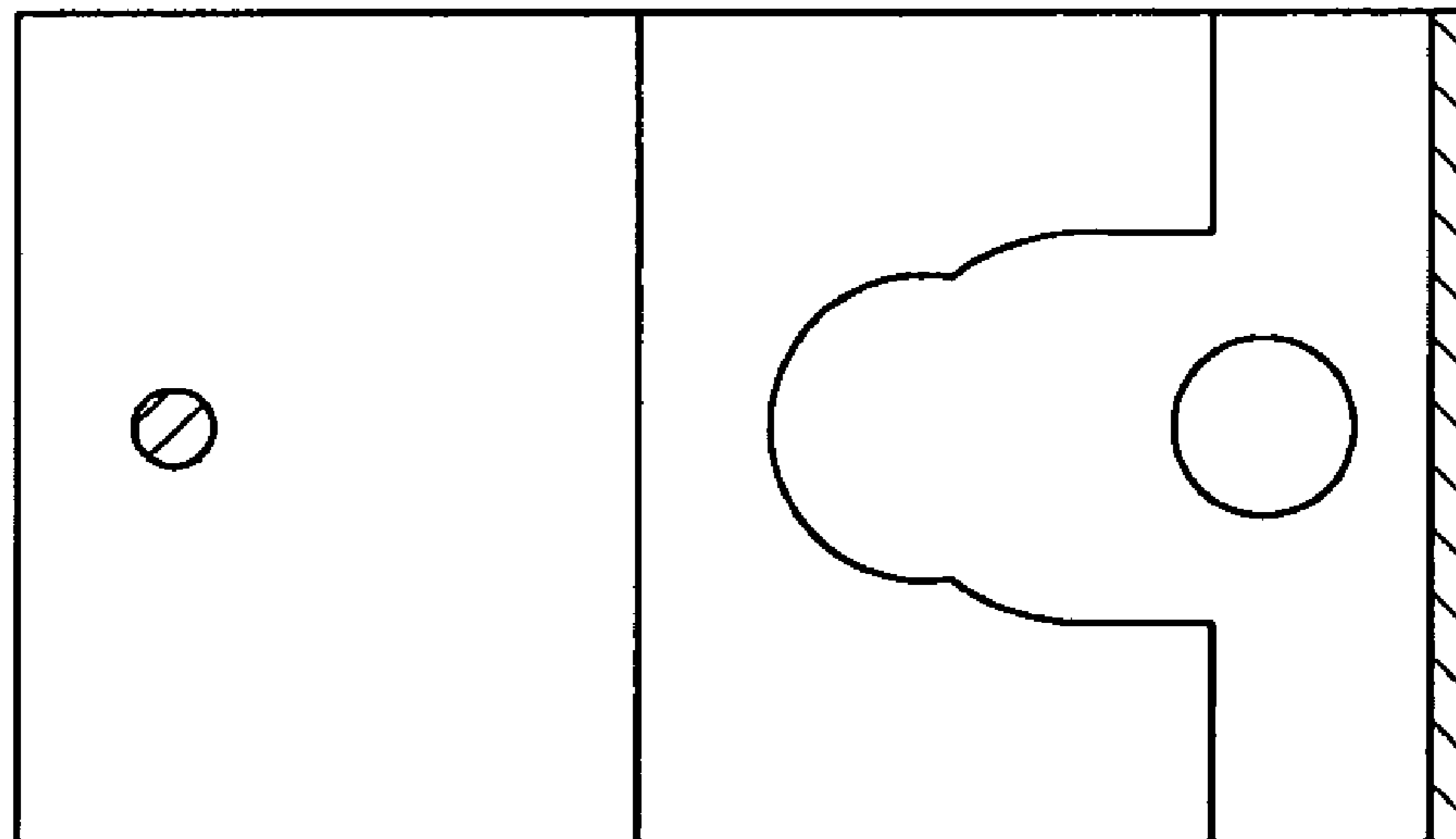


FIG. 7

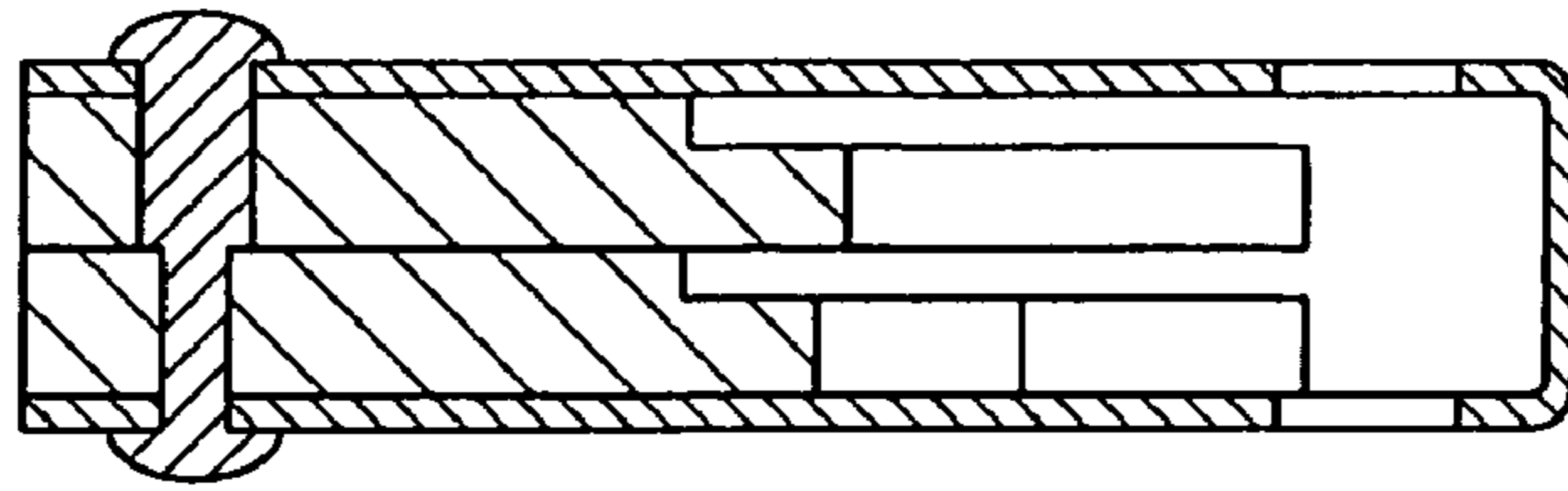


FIG. 8

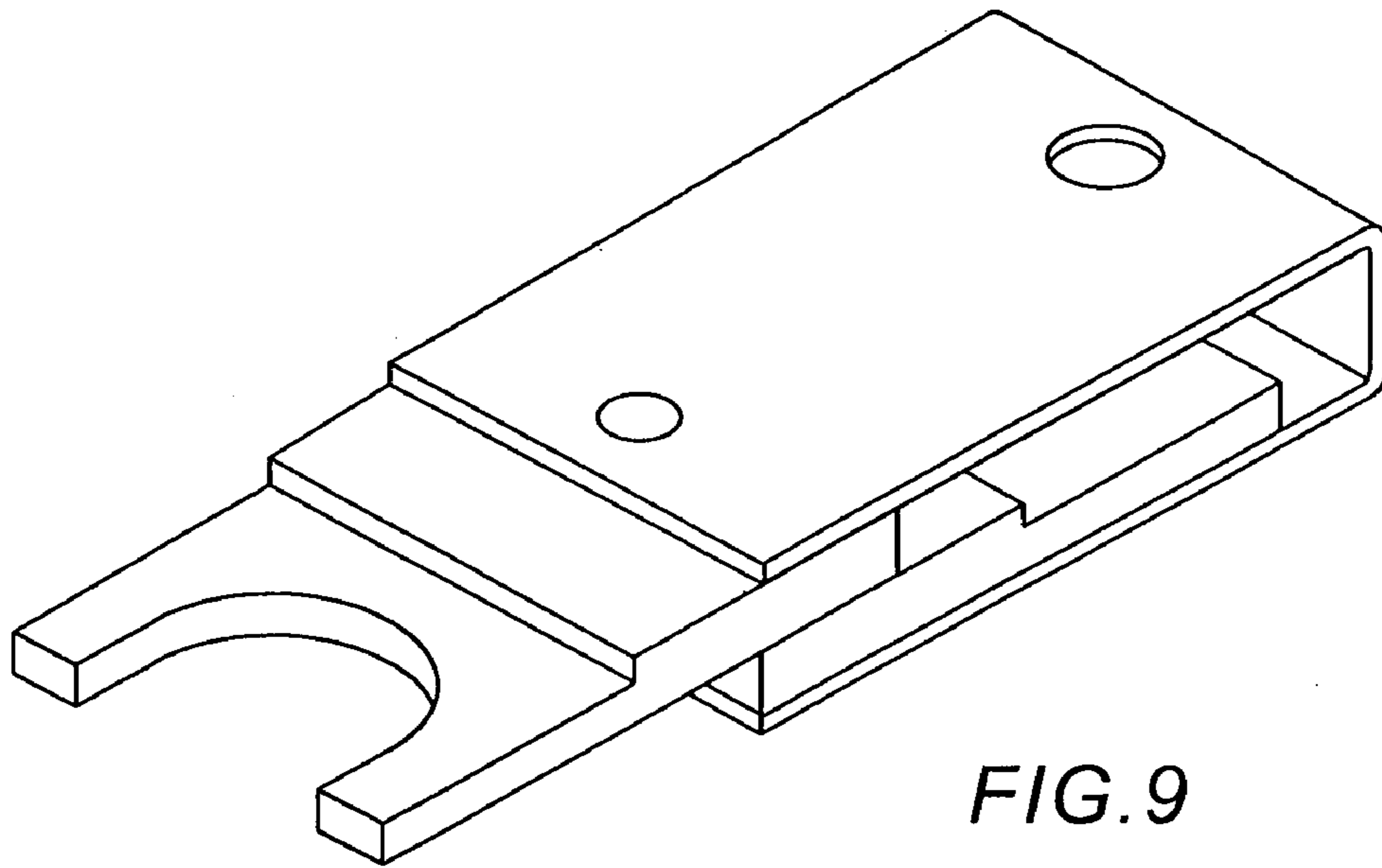


FIG. 9

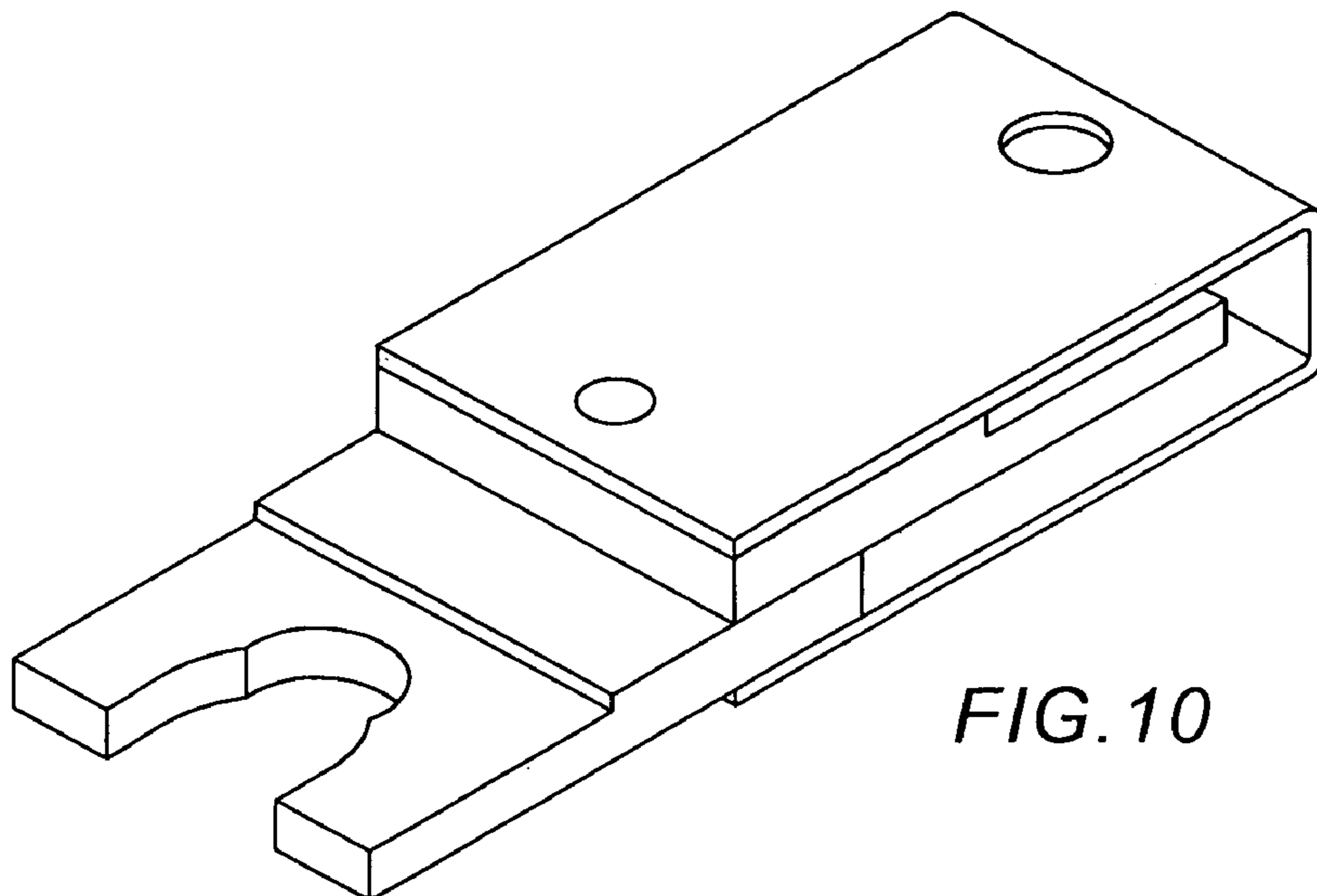


FIG. 10

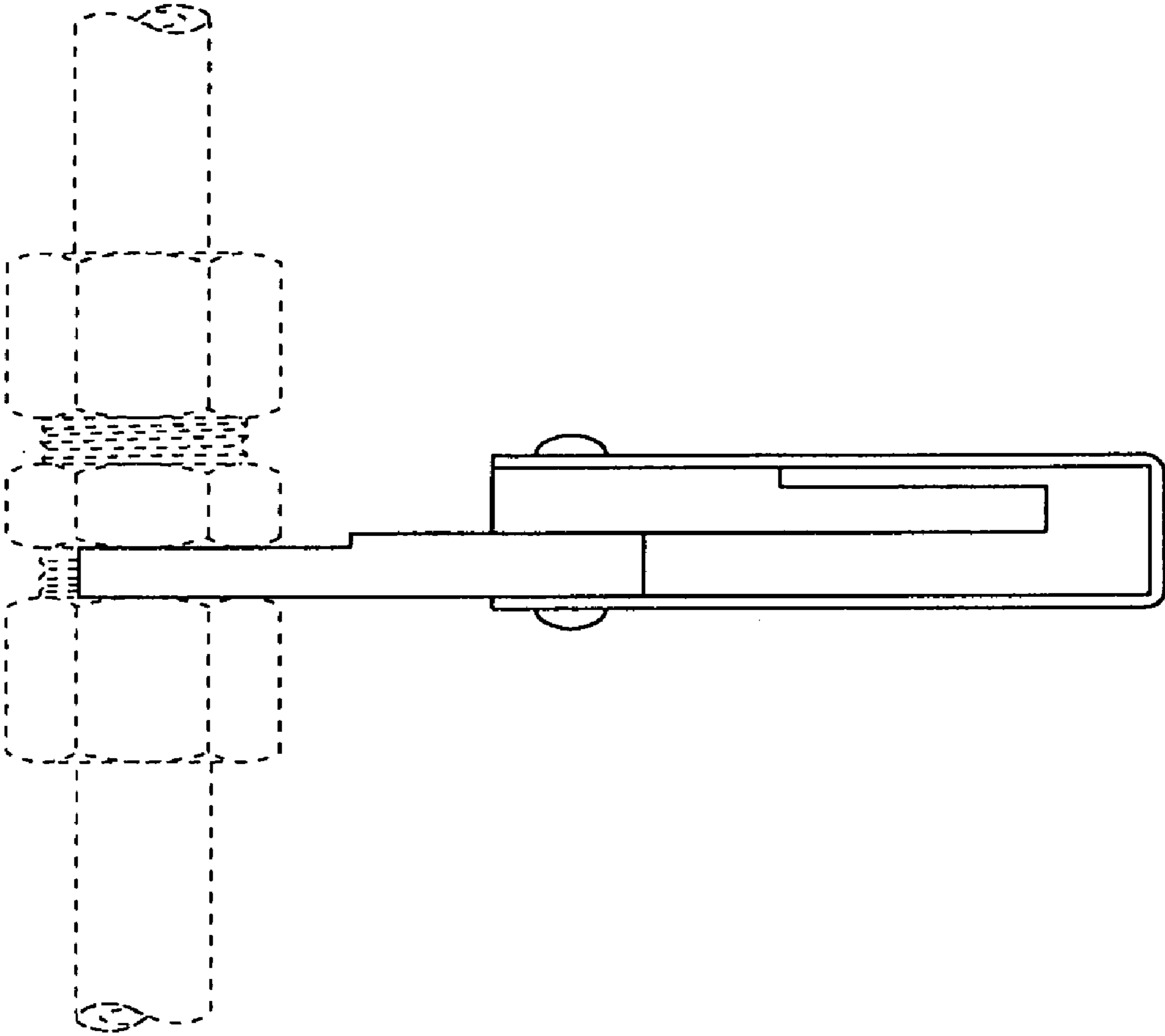


FIG. 11