

US00D609588S

(12) **United States Design Patent**  
**Morton**

(10) **Patent No.:** **US D609,588 S**  
(45) **Date of Patent:** **\*\* Feb. 9, 2010**

(54) **SOIL MOISTURE MONITORING DEVICE**

(75) Inventor: **David L. Morton**, Sandy, UT (US)  
(73) Assignee: **Fertile Earth Systems, Inc.**, Sandy, UT (US)  
(\*\*) Term: **14 Years**  
(21) Appl. No.: **29/329,073**  
(22) Filed: **Dec. 8, 2008**

(51) **LOC (9) Cl.** ..... **10-04**  
(52) **U.S. Cl.** ..... **D10/56**  
(58) **Field of Classification Search** ..... D10/52,  
D10/53, 56; 73/73-74, 170.17-170.23, 29.05;  
324/640, 664, 658, 686, 690, 694, 724; 340/604;  
702/50

See application file for complete search history.

(56) **References Cited**

**U.S. PATENT DOCUMENTS**

6,904,789 B2	6/2005	Campbell	
D584,969 S *	1/2009	Nies et al.	..... D10/56
2009/0134889 A1	5/2009	Gunsay	
2009/0139301 A1	6/2009	Gunsay	
2009/0140865 A1	6/2009	Gunsay	

**OTHER PUBLICATIONS**

U.S. Appl. No. 61/110,368, filed Oct. 31, 2008, Morton.  
U.S. Appl. No. 61/120,789, filed Dec. 8, 2008, Morton.

\* cited by examiner

*Primary Examiner*—Antoine D Davis  
(74) *Attorney, Agent, or Firm*—Workman Nydegger

(57) **CLAIM**

The ornamental design for a soil moisture monitoring device, as shown and described.

**DESCRIPTION**

FIG. 1 is an exploded perspective view of a soil moisture monitoring device of the present invention wherein a cap is shown in an exploded view in phantom, broken lines;

FIG. 2 is a perspective view of the monitoring device of FIG. 1 wherein the cap is shown in phantom, broken lines mounted on the body of the device;

FIG. 3 is a front view of the monitoring device of FIG. 1;

FIG. 4 is a side view of the monitoring device of FIG. 1, the opposing side view being a mirror image thereof;

FIG. 5 is a rear view of the monitoring device of FIG. 1;

FIG. 6 is a bottom view of the monitoring device of FIG. 1;

FIG. 7 is an exploded perspective view of another embodiment of a soil moisture monitoring device of the present invention wherein a cap is shown in an exploded view in phantom, broken lines;

FIG. 8 is a perspective view of the monitoring device of FIG. 7 wherein the cap is shown in phantom, broken lines mounted on the body of the device;

FIG. 9 is a front view of the monitoring device of FIG. 7;

FIG. 10 is a side view of the monitoring device of FIG. 7, the opposing side view being a mirror image thereof;

FIG. 11 is a rear view of the monitoring device of FIG. 7;

FIG. 12 is a bottom view of the monitoring device of FIG. 7;

FIG. 13 is an exploded perspective view of another embodiment of a soil moisture monitoring device of the present invention wherein a cap is shown in an exploded view in phantom, broken lines;

FIG. 14 is a perspective view of the monitoring device of FIG. 13 wherein the cap is shown in phantom, broken lines mounted on the body of the device;

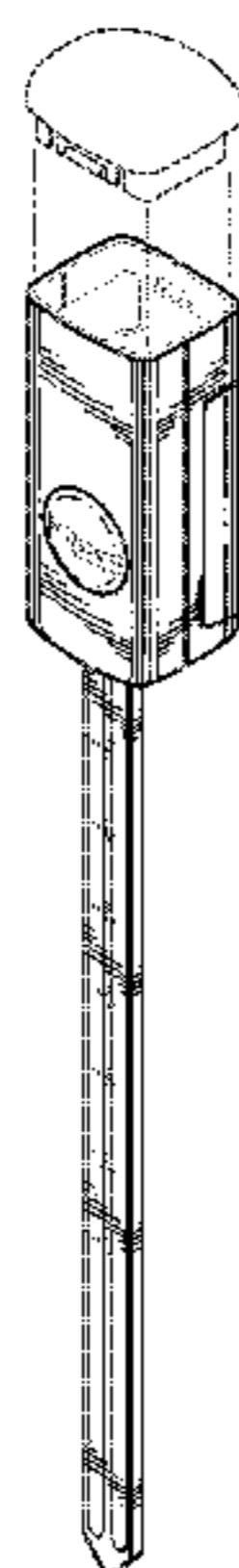
FIG. 15 is a front view of the monitoring device of FIG. 13;

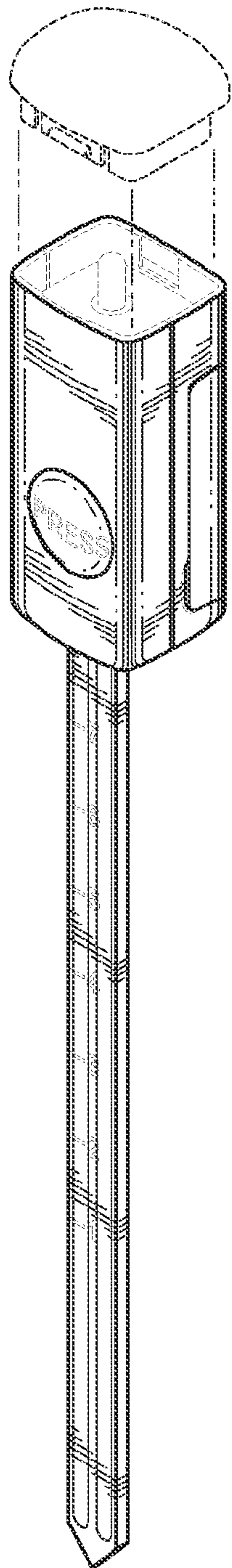
FIG. 16 is a perspective view of another embodiment of a soil moisture monitoring device of the present invention; and,

FIG. 17 is a front view of the monitoring device of FIG. 16.

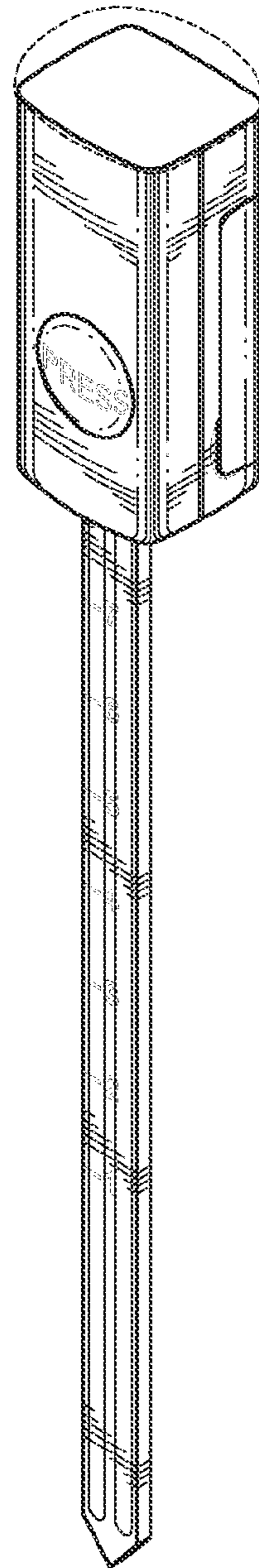
The phantom, broken lines shown in the figures are for illustrative purposes only and form no part of the claimed design.

**1 Claim, 6 Drawing Sheets**





**FIG. 1**



**FIG. 2**

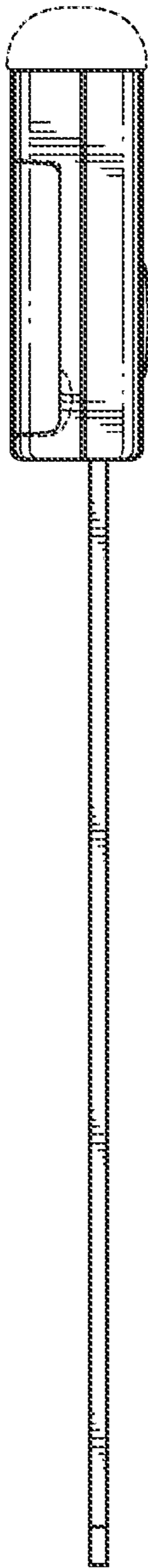


FIG. 4

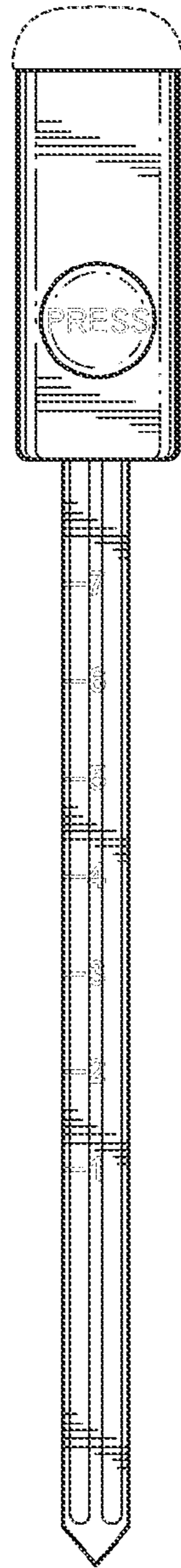


FIG. 3

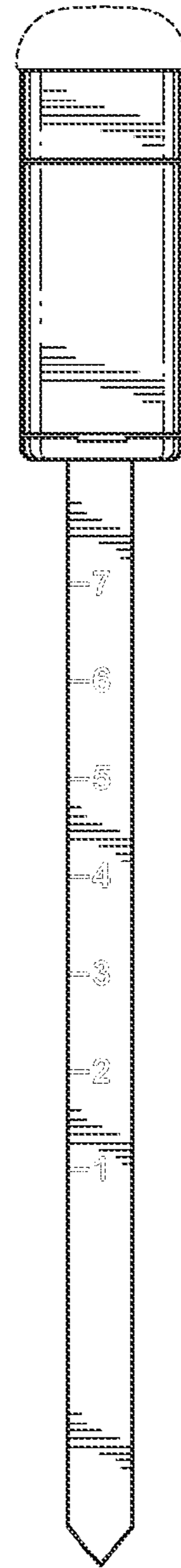


FIG. 5

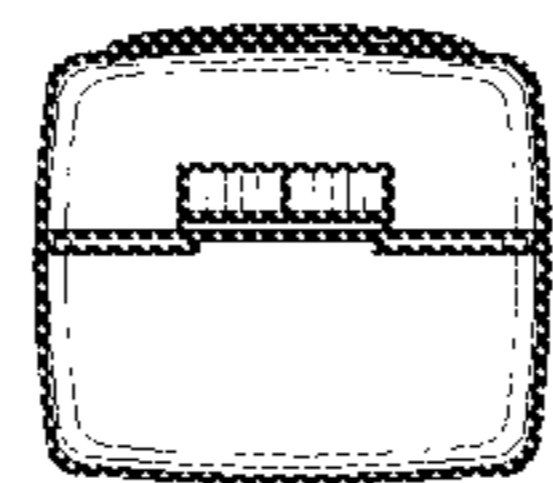


FIG. 6

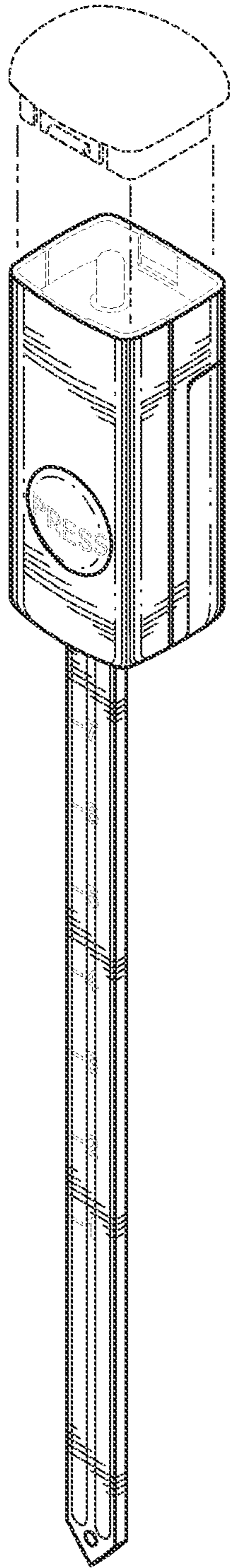


FIG. 7

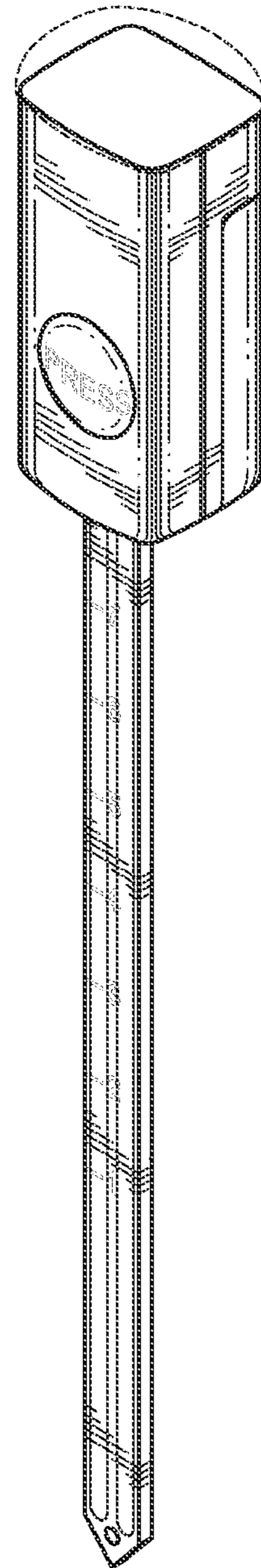


FIG. 8

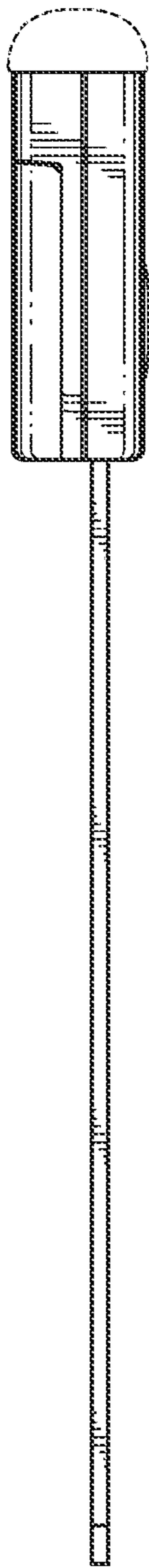


FIG. 10

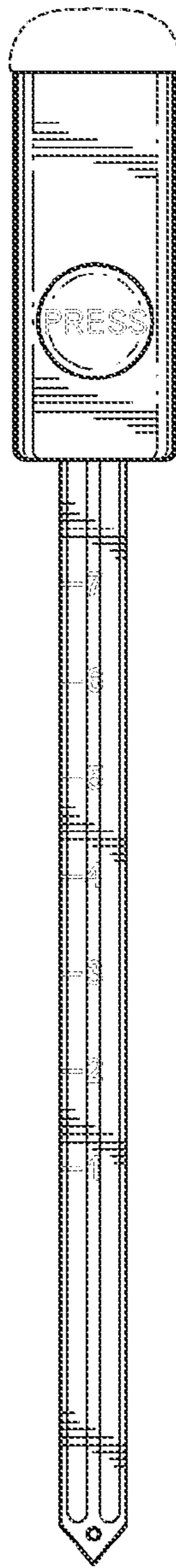


FIG. 9

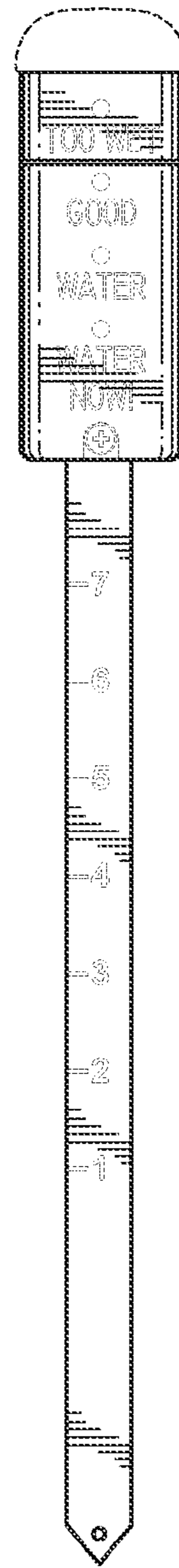


FIG. 11

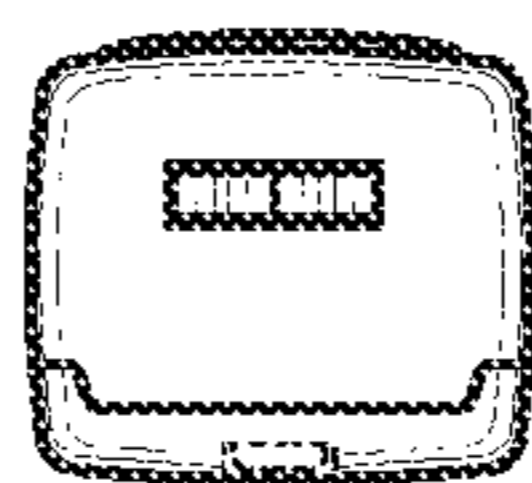


FIG. 12

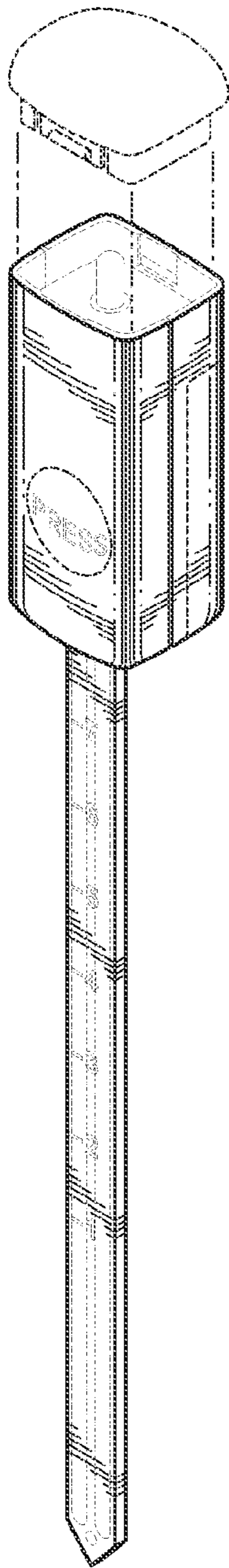


FIG. 13

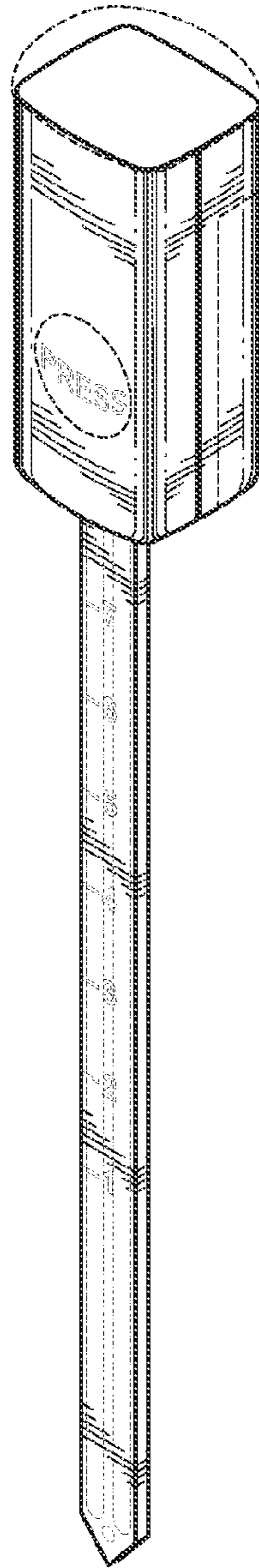


FIG. 14

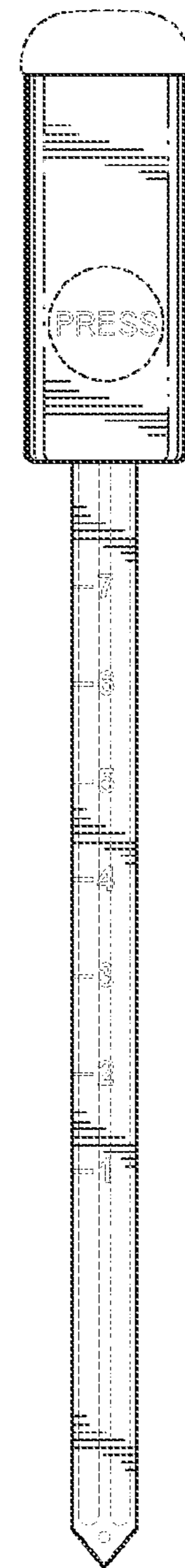


FIG. 15

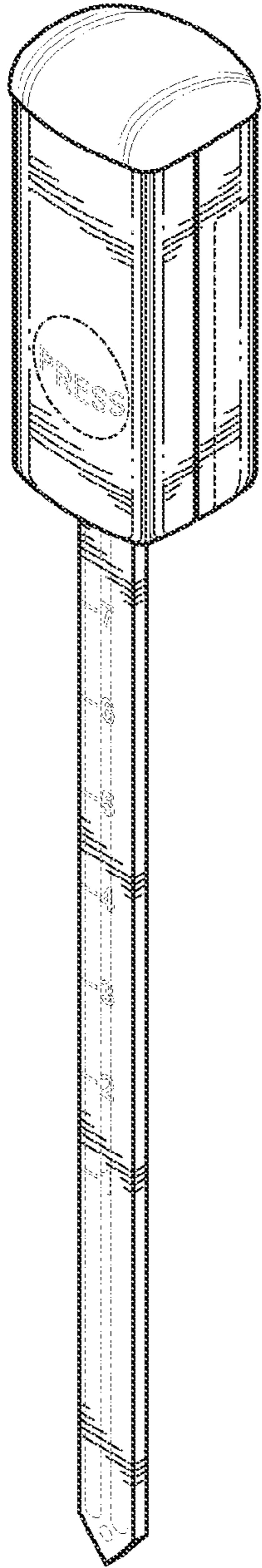


FIG. 16

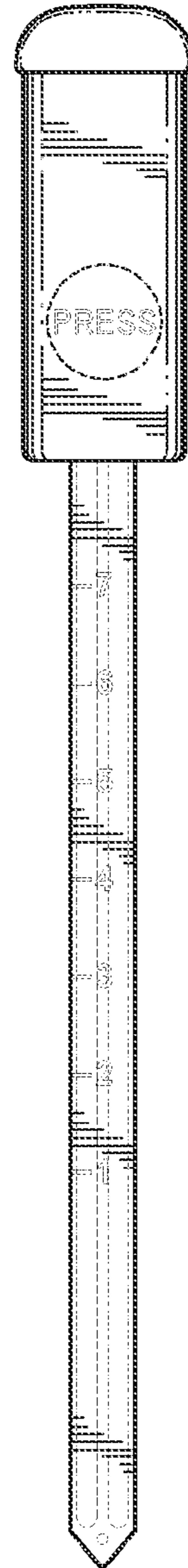


FIG. 17

UNITED STATES PATENT AND TRADEMARK OFFICE  
**CERTIFICATE OF CORRECTION**

PATENT NO. : Des. 609,588 S  
APPLICATION NO. : 29/329073  
DATED : February 9, 2010  
INVENTOR(S) : Morton

Page 1 of 1

It is certified that error appears in the above-identified patent and that said Letters Patent is hereby corrected as shown below:

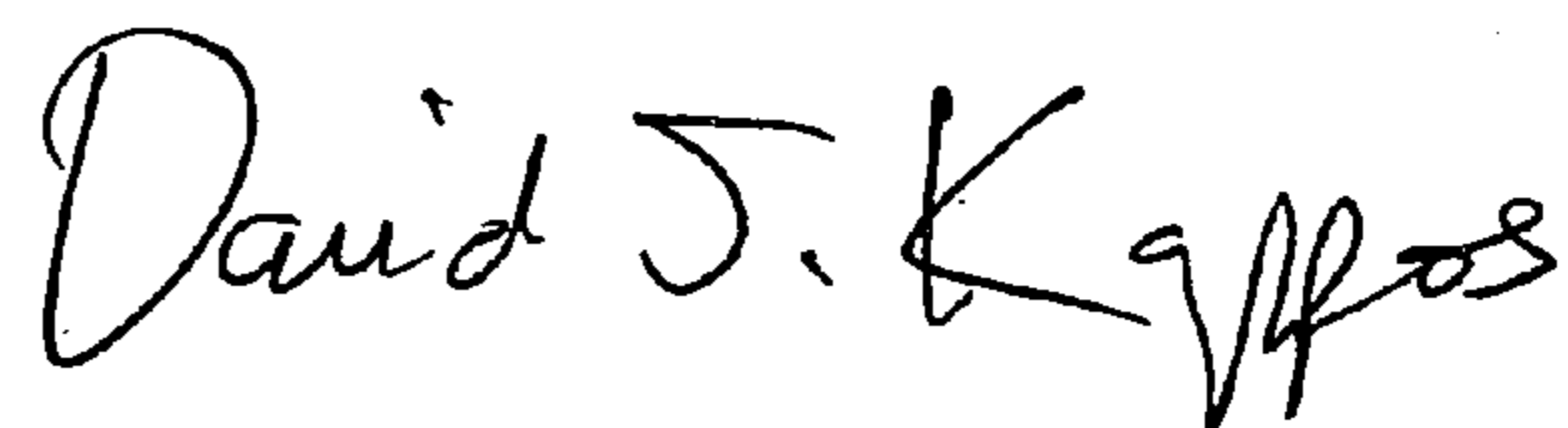
**Title Page, Description**

Figure 7, Delete “an” from “an another”

Figure 13, Delete “an” from “an another”

Signed and Sealed this

Thirty-first Day of August, 2010

A handwritten signature in black ink that reads "David J. Kappos". The signature is written in a cursive, flowing style.

David J. Kappos  
*Director of the United States Patent and Trademark Office*