



US00D609586S

(12) **United States Design Patent**
Bertucci

(10) **Patent No.:** **US D609,586 S**

(45) **Date of Patent:** **** Feb. 9, 2010**

(54) **WATCH CASING**

(76) Inventor: **Michael H. Bertucci**, 991 Charles Ave.,
Gurnee, IL (US) 60031

(**) Term: **14 Years**

(21) Appl. No.: **29/338,051**

(22) Filed: **Jun. 3, 2009**

(51) **LOC (9) Cl.** **10-02**

(52) **U.S. Cl.** **D10/38**

(58) **Field of Classification Search** D10/30-39;
368/276, 281, 282, 285, 308, 319

See application file for complete search history.

(56) **References Cited**

U.S. PATENT DOCUMENTS

2,004,685 A	6/1935	Best	
D195,421 S *	6/1963	Huguenin	D10/39
D202,061 S	8/1965	Montese-Caruso	
3,270,928 A	9/1966	Brunet	
3,585,794 A	6/1971	Klingenberg	
3,665,701 A	5/1972	Burdet	
3,901,023 A	8/1975	Uebelhardt	
D241,126 S	8/1976	Lawrence	
D251,055 S	2/1979	Sulek	
D251,056 S	2/1979	Perrin	
4,218,873 A	8/1980	Lang	
4,548,514 A	10/1985	Ganter	
D295,841 S	5/1988	Kano	
D334,890 S	4/1993	Meyer	
D361,277 S *	8/1995	Riley	D10/30
D362,630 S	9/1995	Riley	
D371,077 S	6/1996	Terashima	
D373,538 S *	9/1996	Riley	D10/30
D373,957 S	9/1996	Mareschal	
D379,768 S *	6/1997	Osit	D10/30
D380,391 S *	7/1997	Osit	D10/30
D380,690 S *	7/1997	Riley	D10/30
D382,211 S	8/1997	Bodino	
D383,398 S	9/1997	Kennedy	
D386,423 S	11/1997	Sang	
D386,695 S	11/1997	Sang	
D386,698 S	11/1997	Giardiello	

D388,338 S *	12/1997	Giardiello	D10/39
D392,195 S *	3/1998	Riley	D10/30
D394,817 S	6/1998	Roales	
D400,804 S *	11/1998	Riley et al.	D10/30
D410,199 S	5/1999	Calvani	
D415,694 S	10/1999	Fichter	
D418,427 S	1/2000	Fichter	

(Continued)

Primary Examiner—Lucy Lieberman

(74) *Attorney, Agent, or Firm*—Trexler, Bushnell,
Giangiorgi, Blackstone & Marr, Ltd.

(57) **CLAIM**

I claim the ornamental design for a watch casing, as shown
and described.

DESCRIPTION

FIG. 1 is a perspective view of the watch casing according to
my design;

FIG. 2 is a top plan view of the watch casing according to my
design;

FIG. 3 is a bottom plan view of the watch casing according to
my design;

FIG. 4 is a right side view of the watch casing according to my
design;

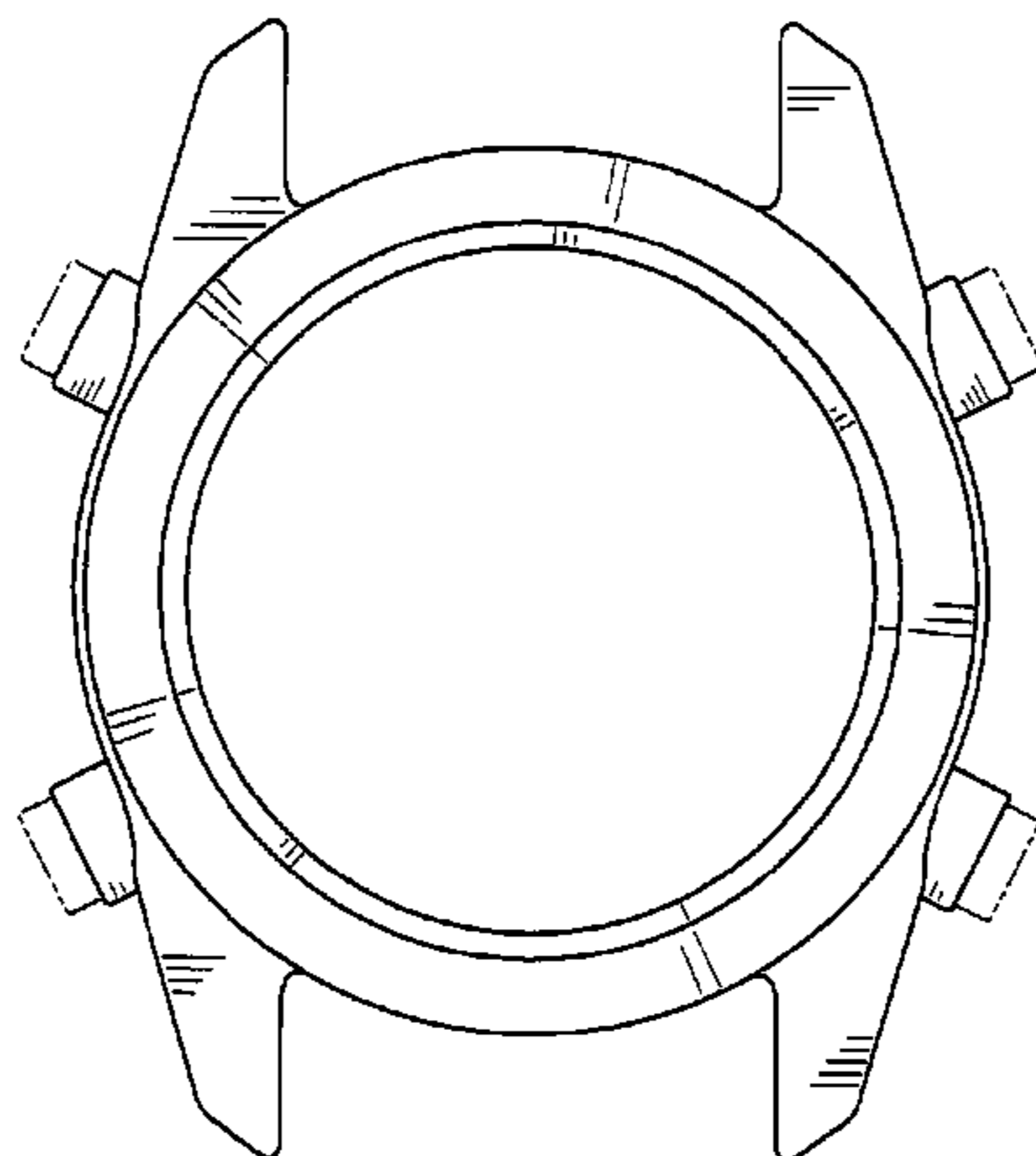
FIG. 5 is a left side view of the watch casing according to my
design;

FIG. 6 is a front view of the watch casing according to my
design; and,

FIG. 7 is a back view of the watch casing according to my
design.

The broken lines in the drawings are used to show portions of
the watch casing that do not form part of the claimed design.

1 Claim, 3 Drawing Sheets



US D609,586 S

Page 2

U.S. PATENT DOCUMENTS

D436,044 S	1/2001	Subilia	
D452,175 S *	12/2001	Finazzi	D10/39
D455,354 S	4/2002	Parmigiani	
D459,241 S *	6/2002	Bodino	D10/32
D465,739 S *	11/2002	Arabov	D10/39
D475,638 S	6/2003	Modolo	
D488,075 S	4/2004	Bertucci	
D488,388 S	4/2004	Bertucci	
D488,724 S	4/2004	Bertucci	
D508,212 S	8/2005	Scheufele	
D538,182 S *	3/2007	Lalo	D10/32
D538,184 S *	3/2007	Scheufele	D10/39
D545,222 S *	6/2007	Parmigiani	D10/38
D551,095 S *	9/2007	Monachon	D10/32
D564,909 S	3/2008	Kume	
D566,585 S	4/2008	Belamich	
D582,296 S	12/2008	Bertucci	
D590,727 S *	4/2009	Wei	D10/38
D596,509 S *	7/2009	Kume et al.	D10/38

* cited by examiner

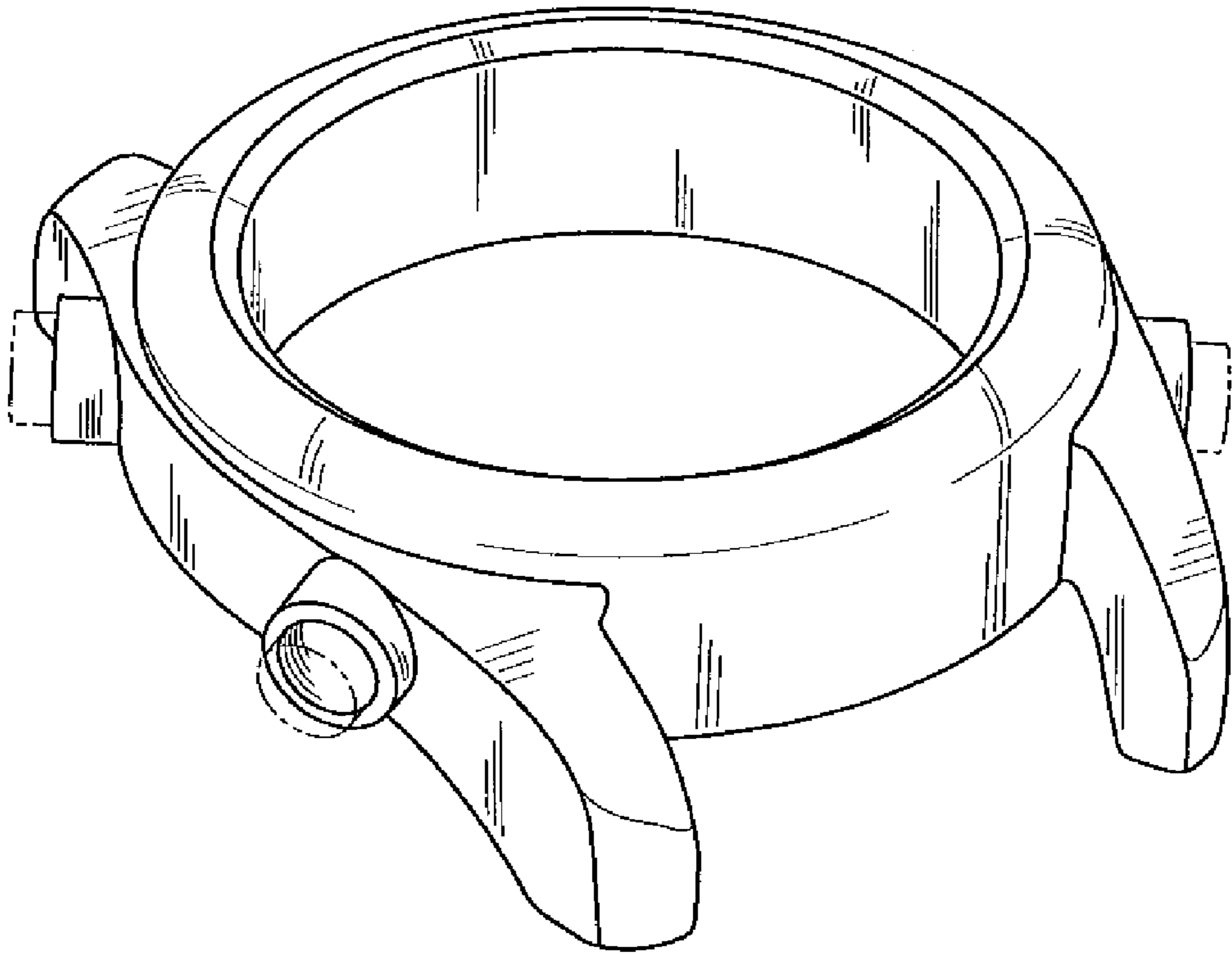


FIG. 1

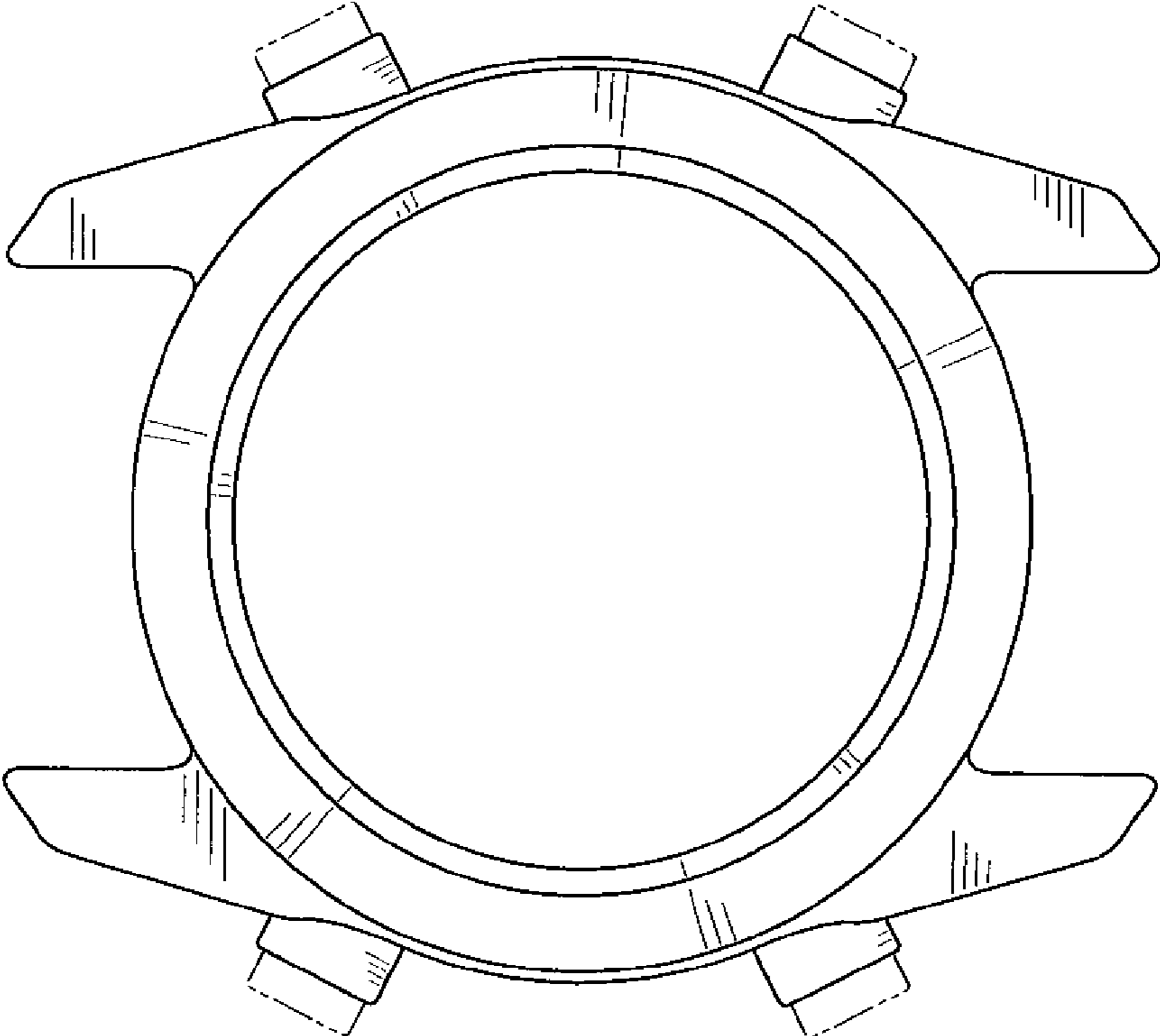


FIG. 2

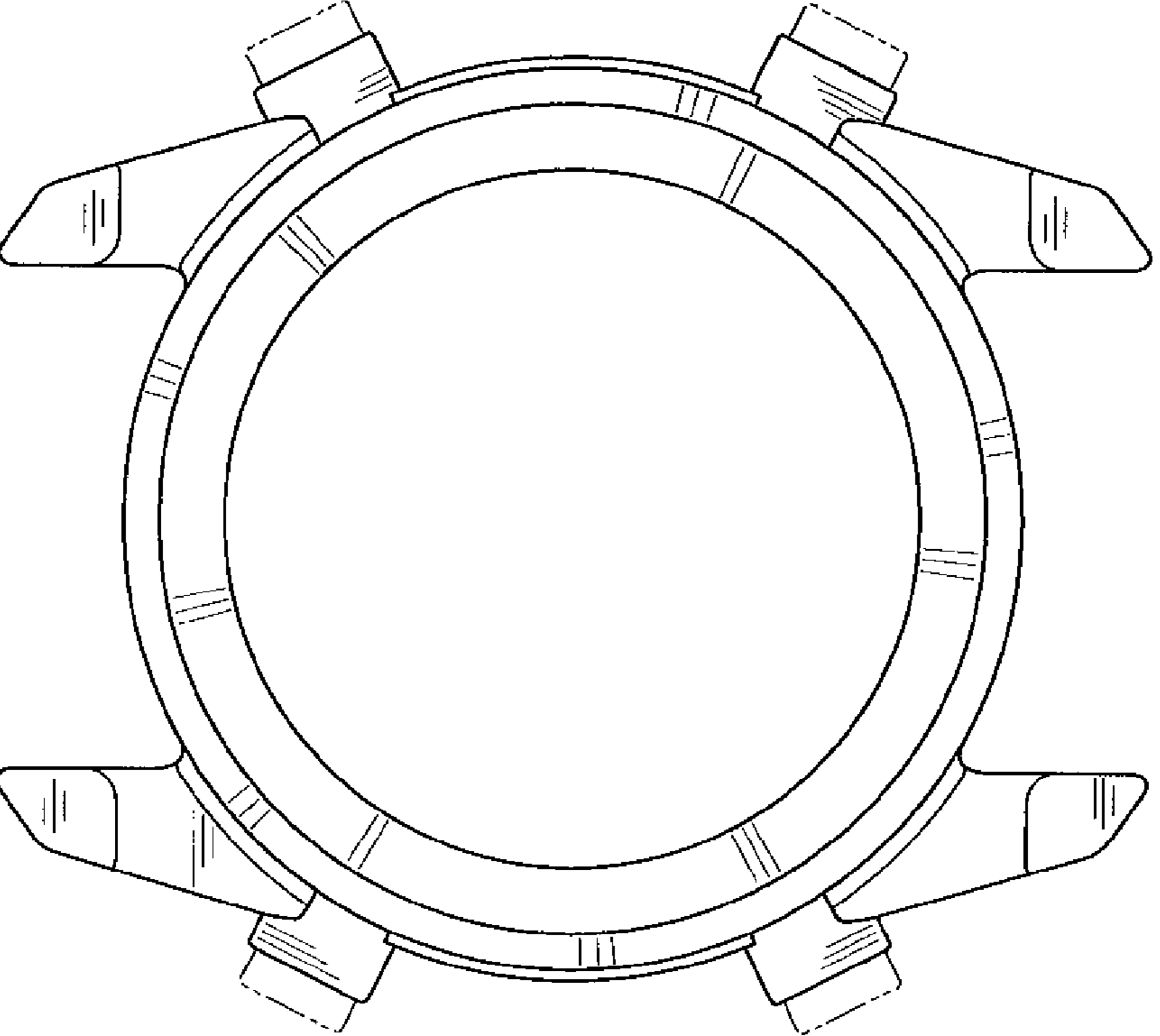


FIG. 3

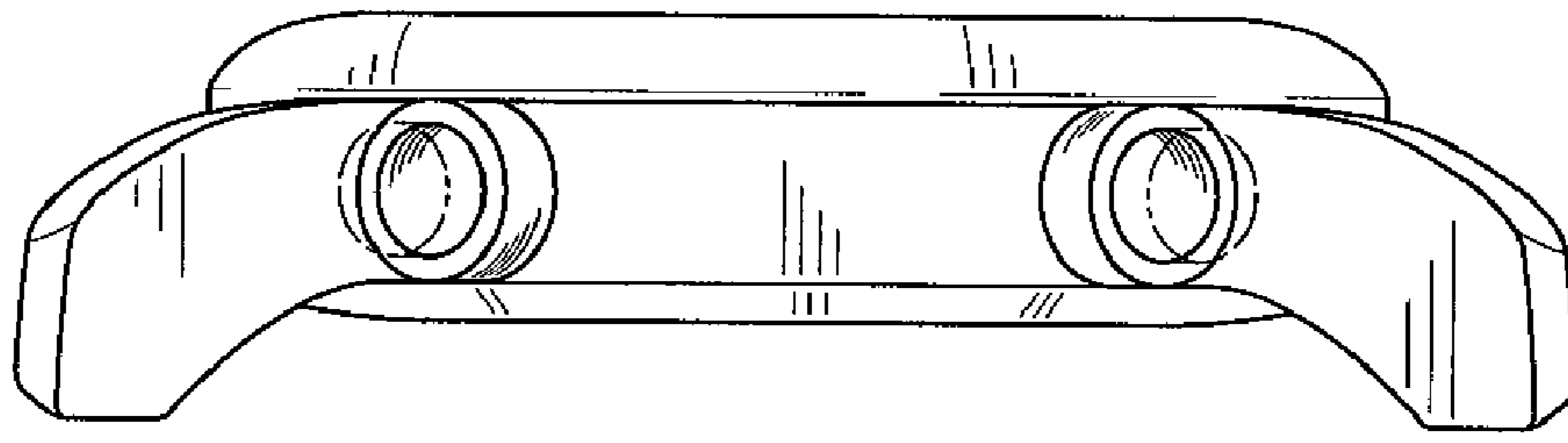


FIG. 4

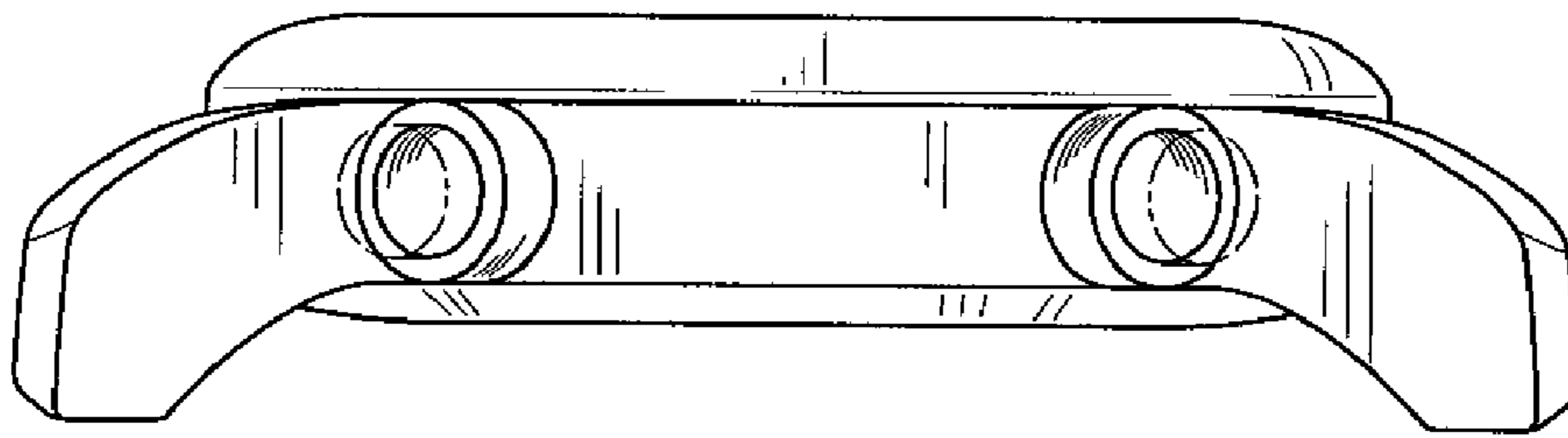


FIG. 5

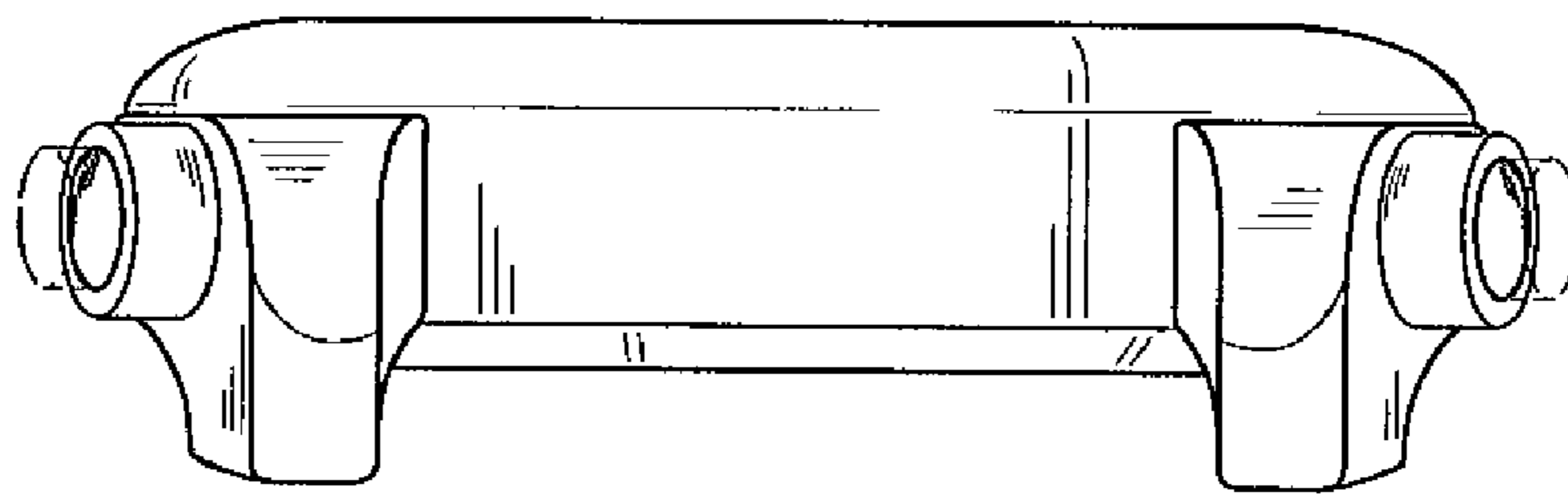


FIG. 6

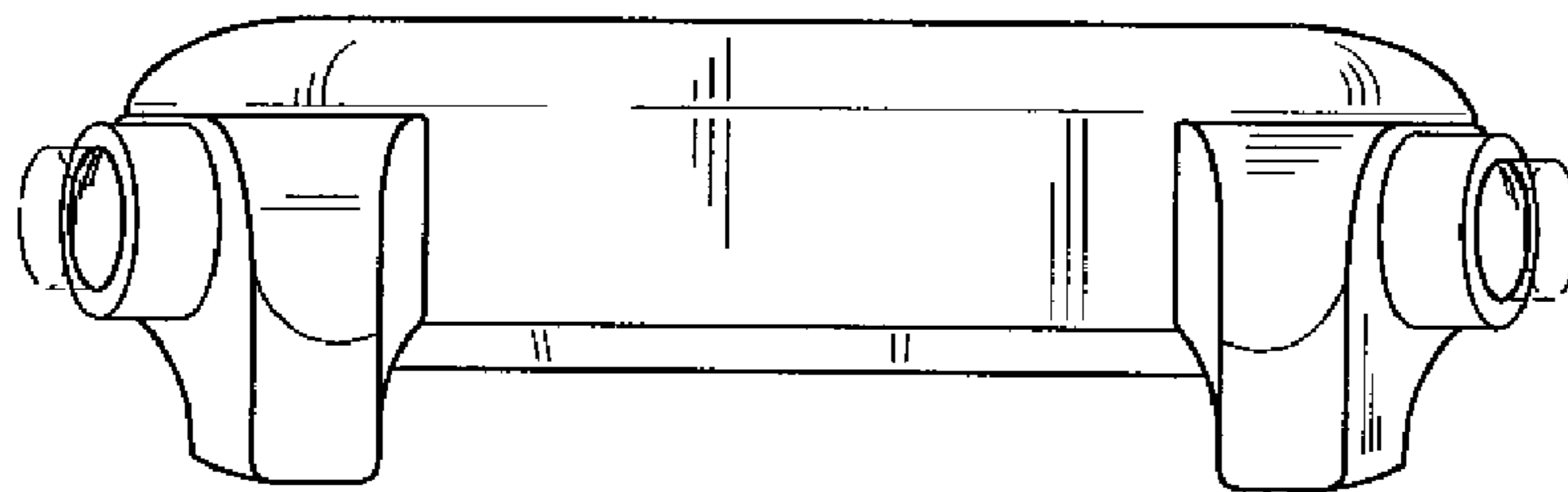


FIG. 7