



US00D609584S

(12) **United States Design Patent**
Lalo

(10) **Patent No.:** **US D609,584 S**

(45) **Date of Patent:** **** Feb. 9, 2010**

(54) **COMBINED WATCH AND BRACELET**

(75) **Inventor:** **Eyal Lalo**, Hallandale, FL (US)

(73) **Assignee:** **Invicta Watch Company of America, Inc.**, Hollywood, FL (US)

(**) **Term:** **14 Years**

(21) **Appl. No.:** **29/338,423**

(22) **Filed:** **Jun. 11, 2009**

(51) **LOC (9) Cl.** **10-02**

(52) **U.S. Cl.** **D10/32**

(58) **Field of Classification Search** D10/30–39,
D10/122–132; 368/276, 281, 282, 285, 308,
368/319, 288–290, 294, 295; D11/3, 12
See application file for complete search history.

(56) **References Cited**

U.S. PATENT DOCUMENTS

2,385,234	A *	9/1945	Schmitz	368/288
D186,180	S *	9/1959	Diamond	D10/39
2,968,910	A *	1/1961	Taubert	368/289
D195,421	S *	6/1963	Huguenin	D10/39
D365,526	S *	12/1995	Gardner	D10/39
D382,815	S *	8/1997	Riley	D10/30
D388,335	S *	12/1997	Giardiello	D10/32
D404,322	S *	1/1999	Blondin	D10/39
D417,411	S *	12/1999	Cattin	D11/3
D430,496	S *	9/2000	Hartzband	D10/32
D445,343	S *	7/2001	Schneider	D10/30
6,679,624	B1 *	1/2004	Mouawad	368/216
D509,150	S *	9/2005	Bodino	D10/32
D517,432	S *	3/2006	Laucella	D10/39

D538,182	S *	3/2007	Lalo	D10/32
D549,113	S *	8/2007	Duong	D10/32
D562,704	S *	2/2008	Lalo	D10/32
D562,723	S *	2/2008	Lalo	D11/94
D563,256	S *	3/2008	Borraccino et al.	D11/3
D565,428	S *	4/2008	Wunderman	D10/32
D570,231	S *	6/2008	Actis-Datta	D10/38
D580,795	S *	11/2008	Lalo	D10/32
7,494,270	B2 *	2/2009	Hiranuma et al.	368/288

* cited by examiner

Primary Examiner—Lucy Lieberman

(74) *Attorney, Agent, or Firm*—Howard Natter; Natter & Natter

(57) **CLAIM**

The ornamental design for a combined watch and bracelet, as shown and described.

DESCRIPTION

FIG. 1 is a front right side perspective view of a combined watch and bracelet showing my new design;

FIG. 2 is a right side elevational view thereof;

FIG. 3 is a top plan view thereof;

FIG. 4 is a front elevational view thereof;

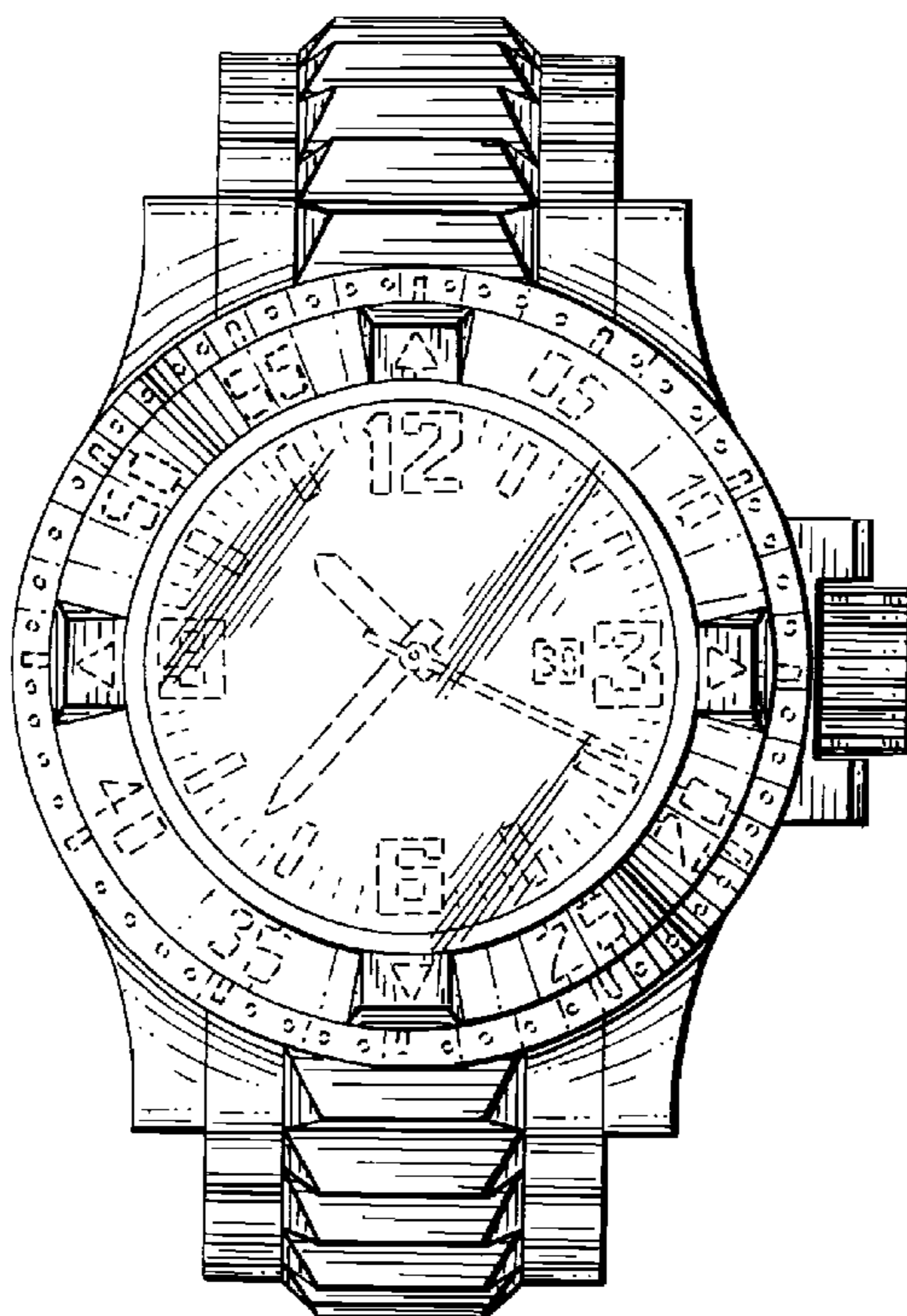
FIG. 5 is a left side elevational view thereof; and,

FIG. 6 is a rear elevational view thereof.

The bottom plan view is a mirror image of the top plan view.

The broken-line showing of FIGS. 1–6 are for illustrative purposes only and form no part of the claimed design.

1 Claim, 4 Drawing Sheets



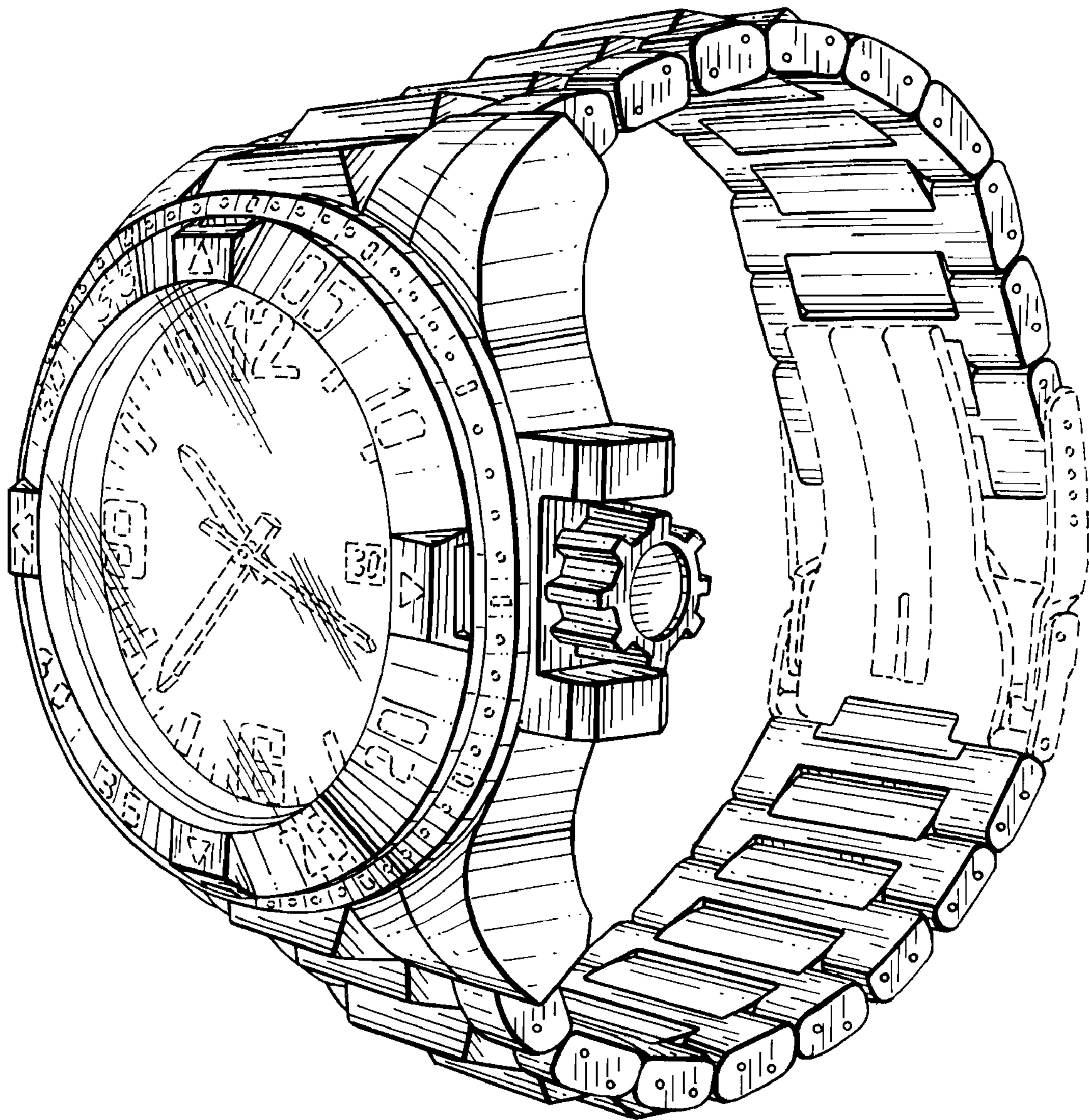


FIG. 1

FIG. 2

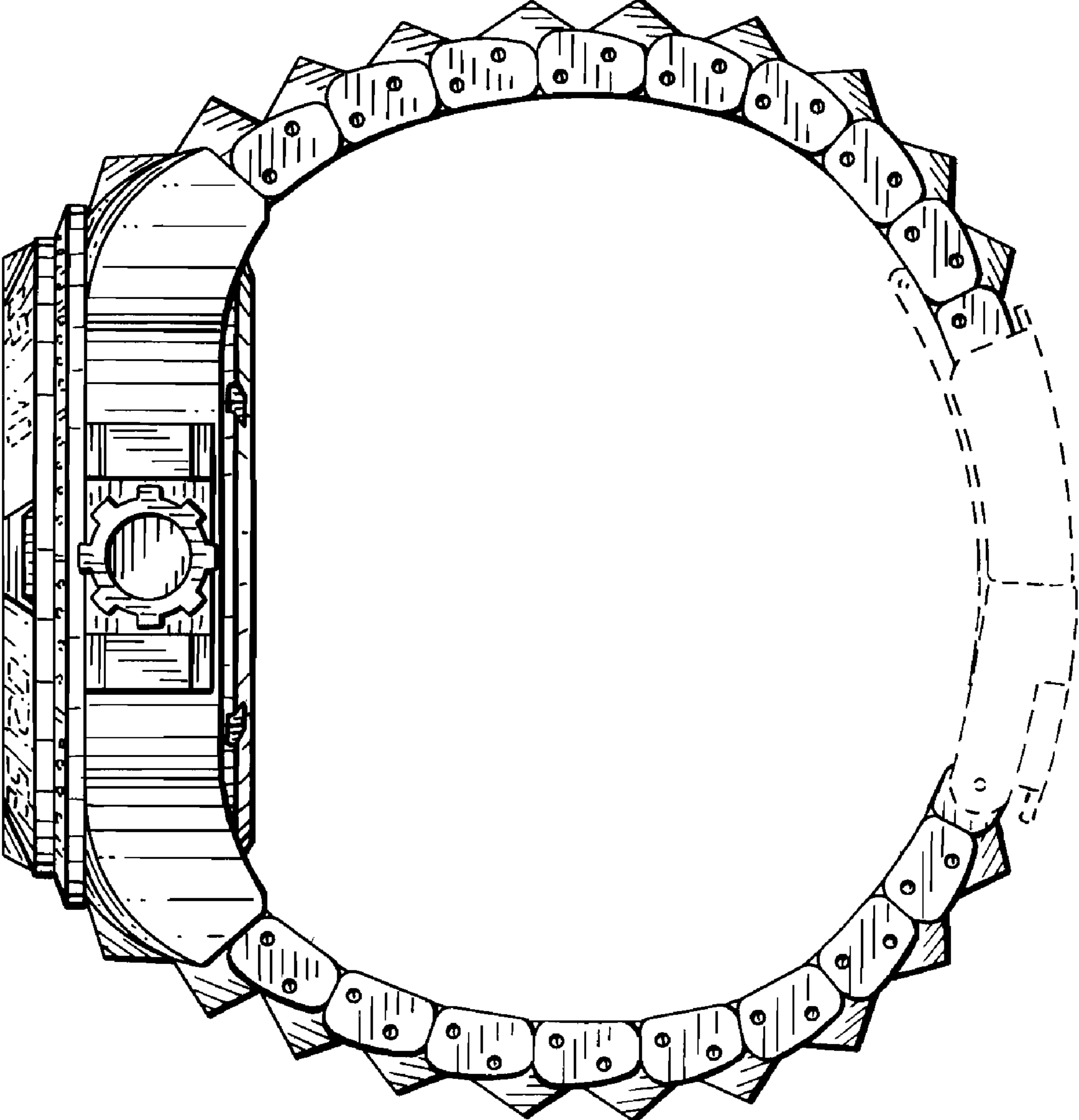


FIG. 4

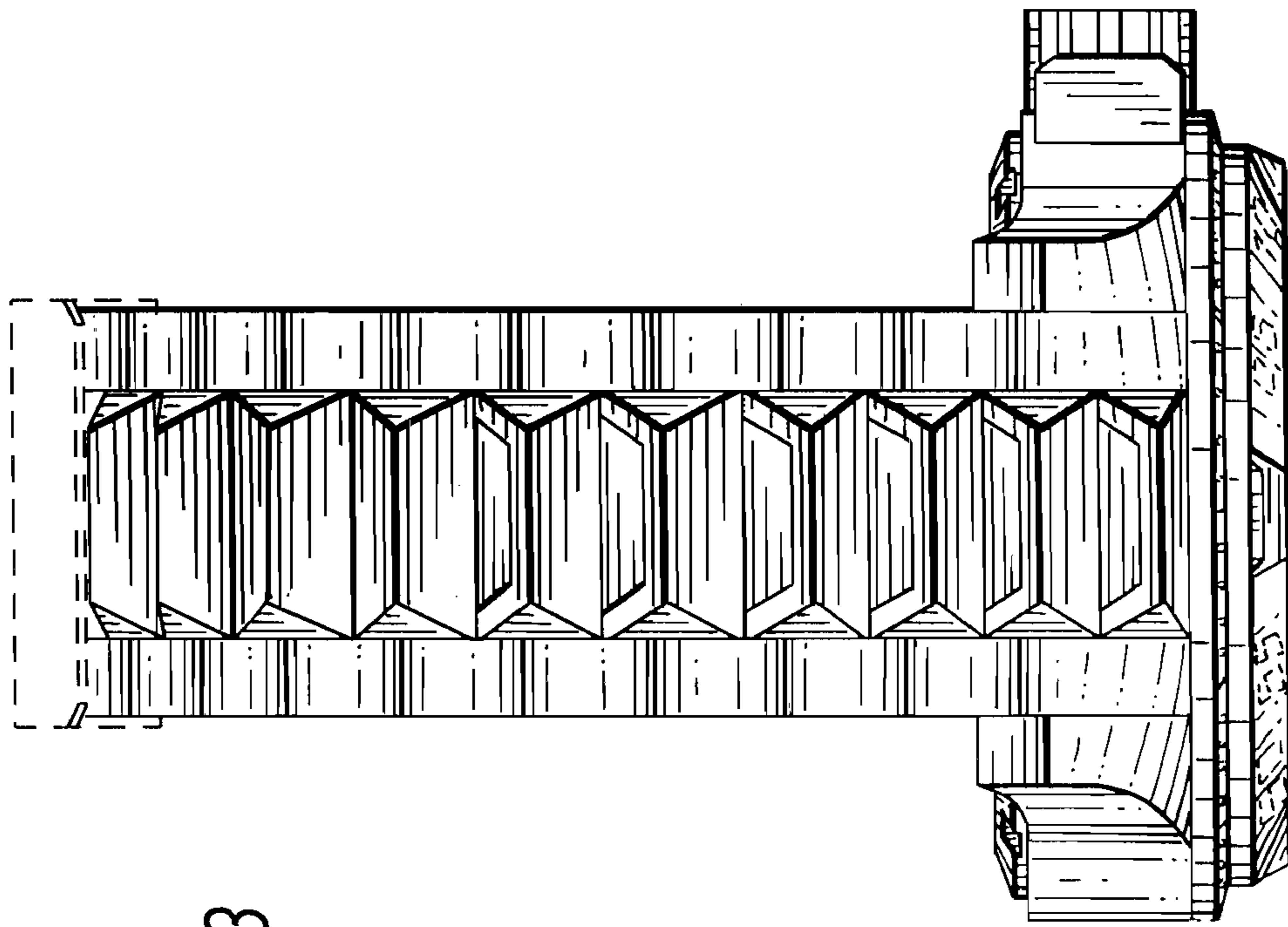
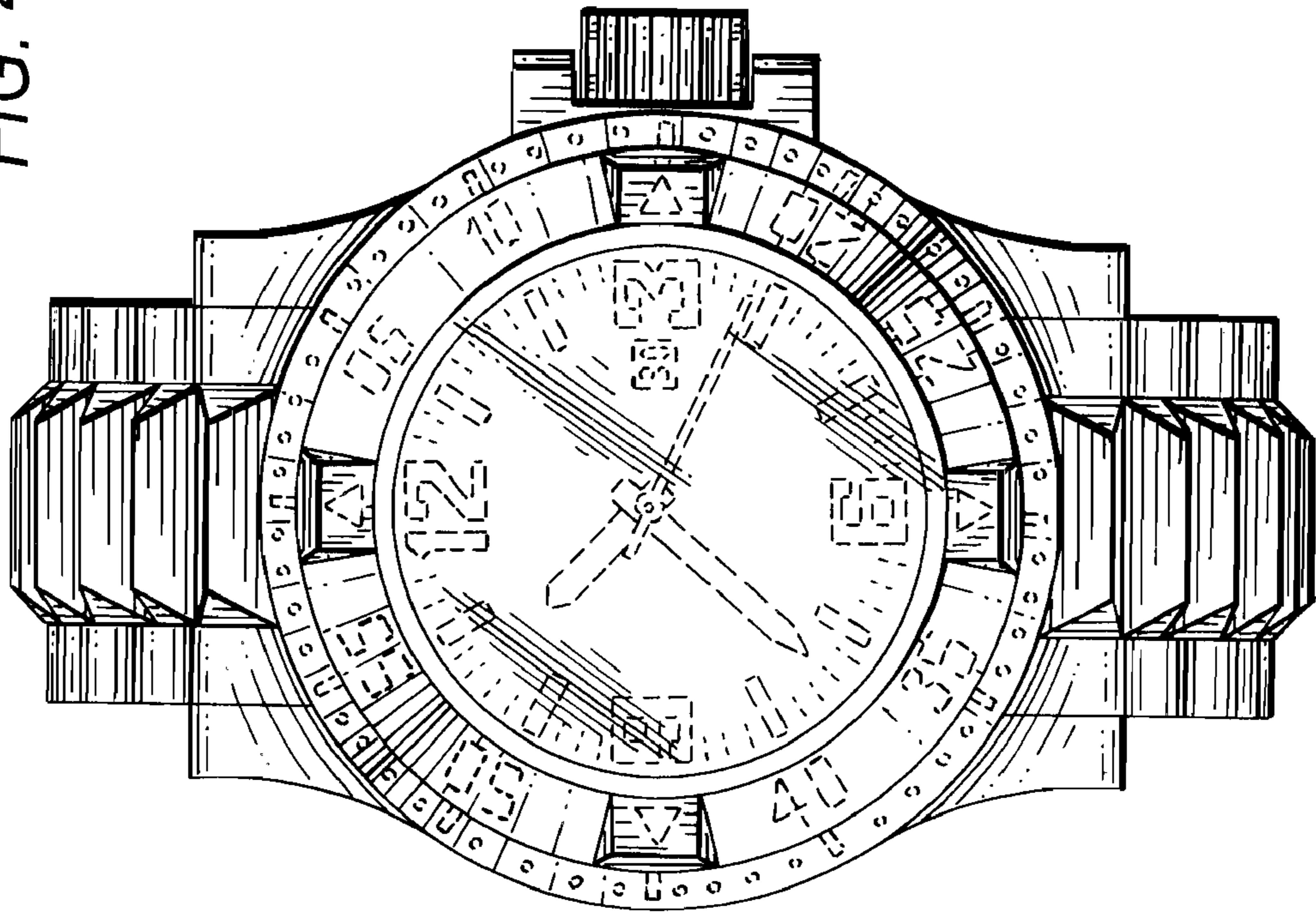


FIG. 3

FIG. 6

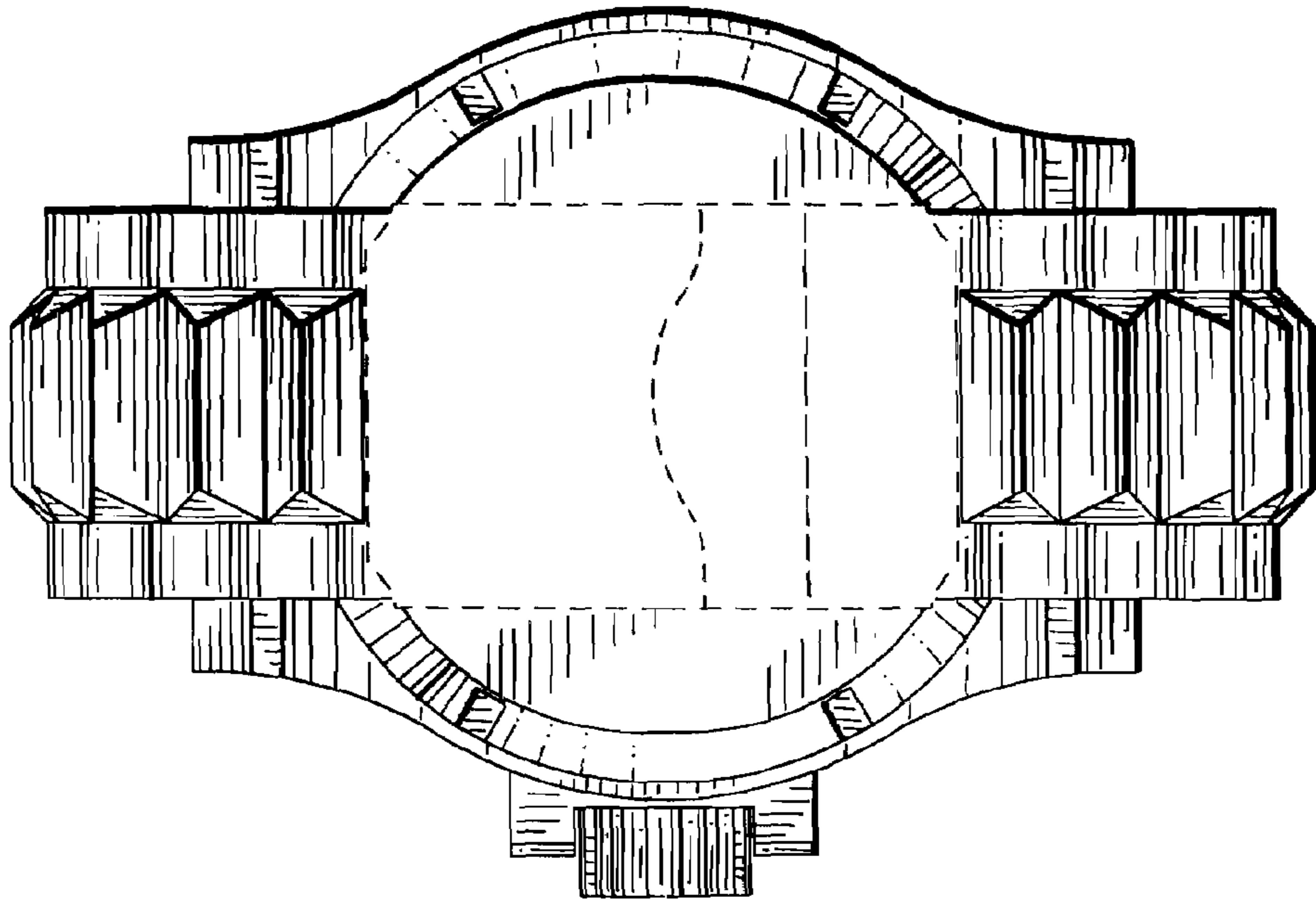


FIG. 5

