



US00D609583S

(12) **United States Design Patent**
Lalo

(10) **Patent No.:** **US D609,583 S**

(45) **Date of Patent:** **** Feb. 9, 2010**

(54) **COMBINED WATCH AND BAND**

(75) Inventor: **Eyal Lalo**, Hallandale, FL (US)

(73) Assignee: **Invicta Watch Company of America, Inc.**, Hollywood, FL (US)

(**) Term: **14 Years**

(21) Appl. No.: **29/338,398**

(22) Filed: **Jun. 10, 2009**

(51) **LOC (9) Cl.** **10-02**

(52) **U.S. Cl.** **D10/32**

(58) **Field of Classification Search** D10/30-39,
D10/122-132; 368/276, 281, 282, 285, 308,
368/319, 288-290, 294, 295; D11/3, 12
See application file for complete search history.

(56) **References Cited**

U.S. PATENT DOCUMENTS

2,385,234	A	*	9/1945	Schmitz	368/288
D186,180	S	*	9/1959	Diamond	D10/39
D195,421	S	*	6/1963	Huguenin	D10/39
D326,822	S	*	6/1992	Wuest	D10/32
D382,815	S	*	8/1997	Riley	D10/30
D441,664	S	*	5/2001	Modolo	D10/32
D445,343	S	*	7/2001	Schneider	D10/30
D447,427	S	*	9/2001	Finazzi	D10/39
D462,919	S	*	9/2002	Strasser	D10/131
D464,274	S	*	10/2002	Strasser	D10/32
D509,150	S	*	9/2005	Bodino	D10/32
D509,445	S	*	9/2005	Wunderman	D10/32

D517,432	S	*	3/2006	Laucella	D10/39
D538,182	S	*	3/2007	Lalo	D10/32
D538,184	S	*	3/2007	Scheufele	D10/39
D562,704	S	*	2/2008	Lalo	D10/32
D562,723	S	*	2/2008	Lalo	D11/94
D580,795	S	*	11/2008	Lalo	D10/32
7,494,270	B2	*	2/2009	Hiranuma et al.	368/288
D599,219	S	*	9/2009	Fontana	D10/39

* cited by examiner

Primary Examiner—Lucy Lieberman

(74) *Attorney, Agent, or Firm*—Howard Natter; Natter & Natter

(57) **CLAIM**

The ornamental design for a combined watch and band, as shown and described.

DESCRIPTION

FIG. 1 is a front right side perspective view of a combined watch and band showing my new design;

FIG. 2 is a top plan view thereof;

FIG. 3 is a front elevational view thereof;

FIG. 4 is a right side elevational view thereof;

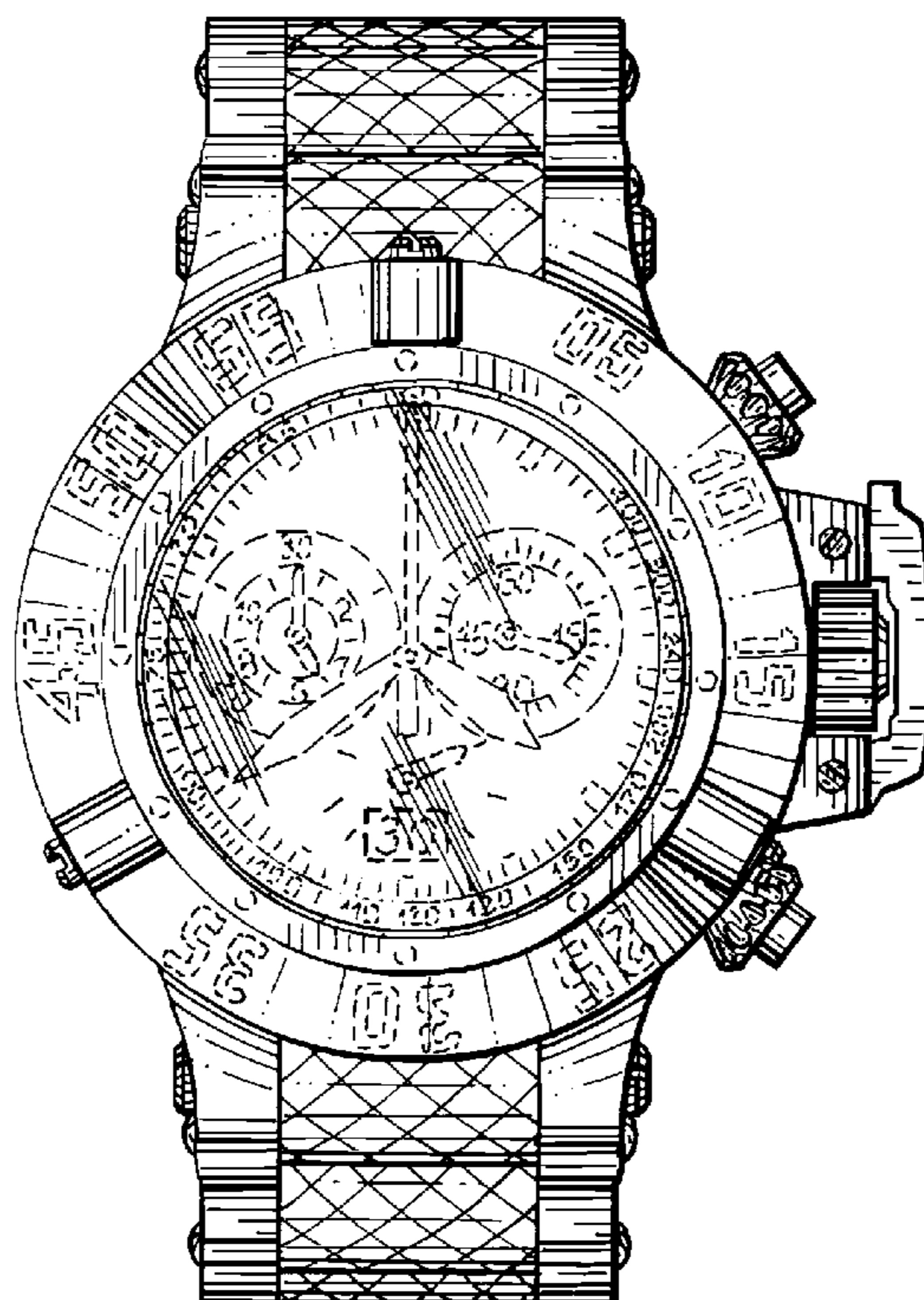
FIG. 5 is a bottom plan view thereof;

FIG. 6 is a rear elevational view thereof; and,

FIG. 7 is a left side elevational view thereof.

The broken-line showings of FIGS. 1-7 are for illustrative purposes only and form no part of the claimed design.

1 Claim, 4 Drawing Sheets



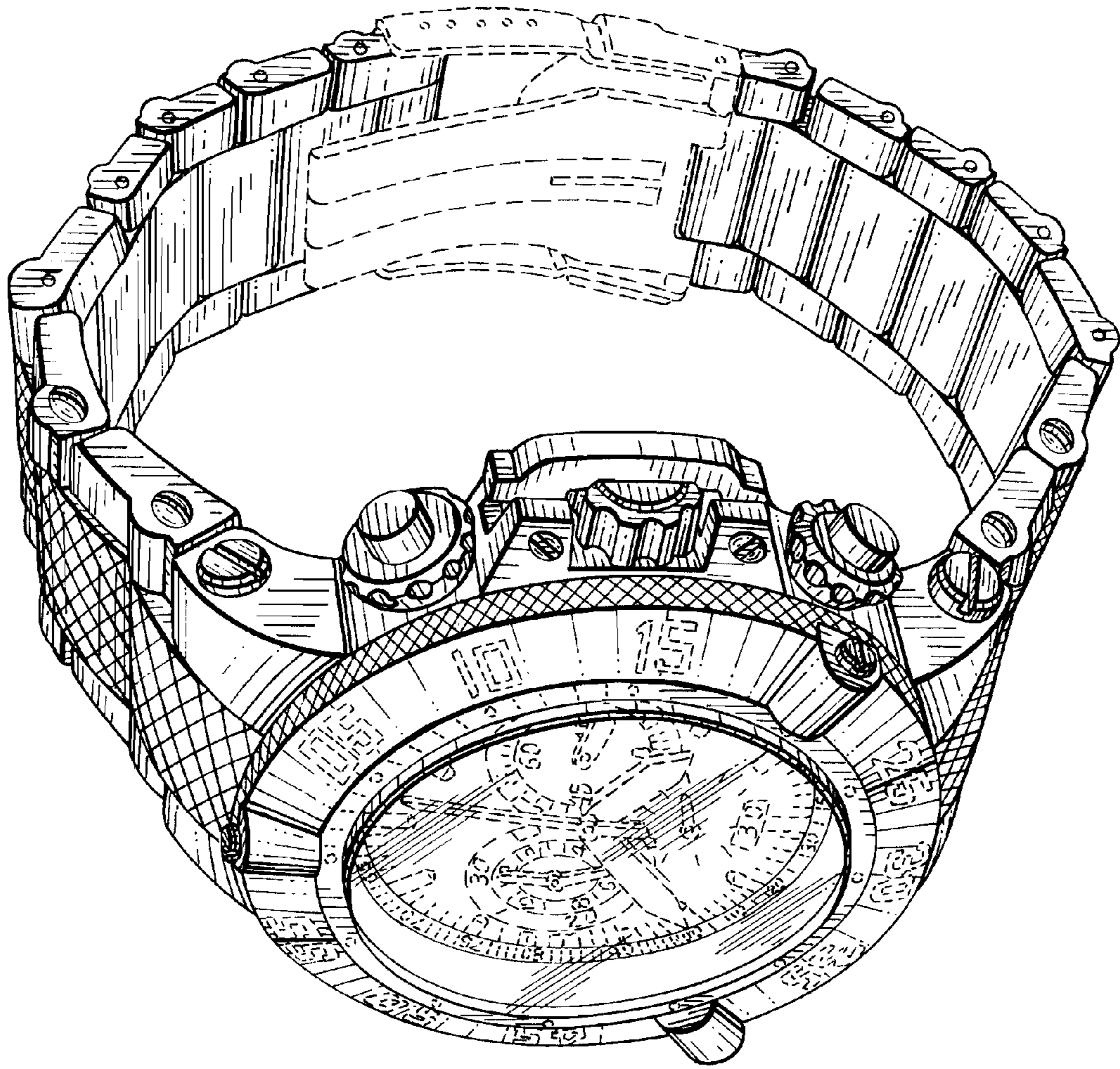


FIG. 1

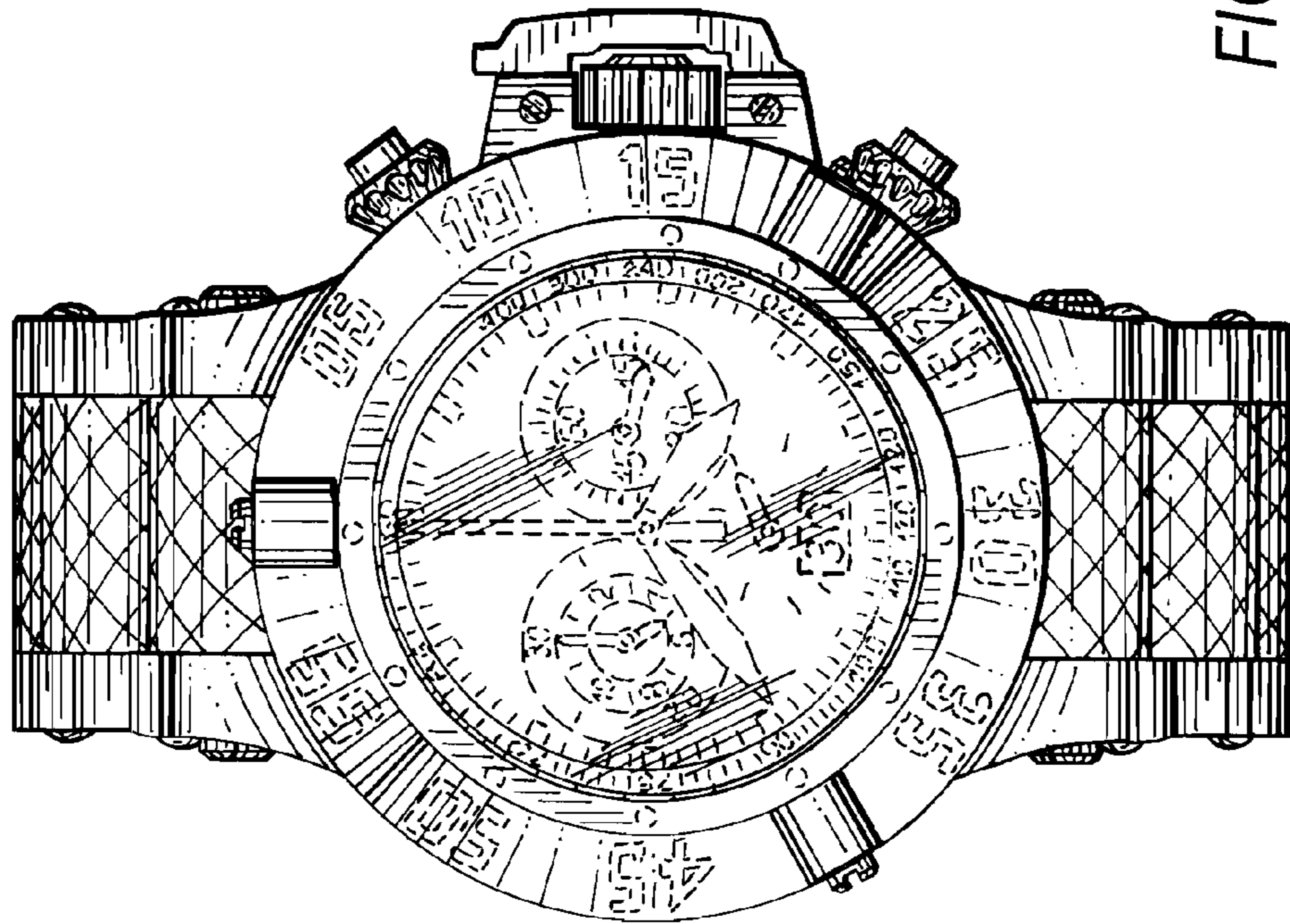


FIG. 3

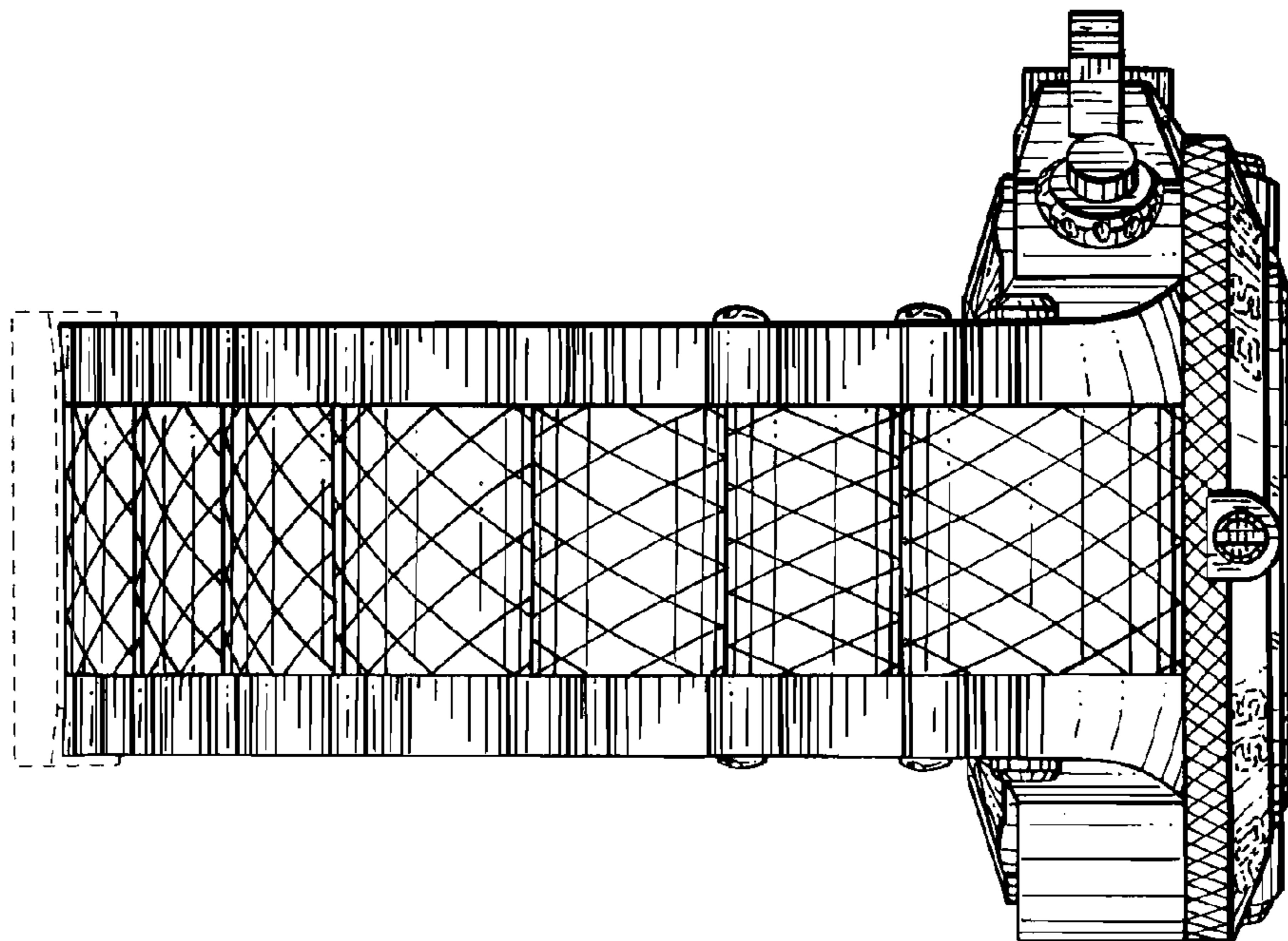


FIG. 2

FIG. 4

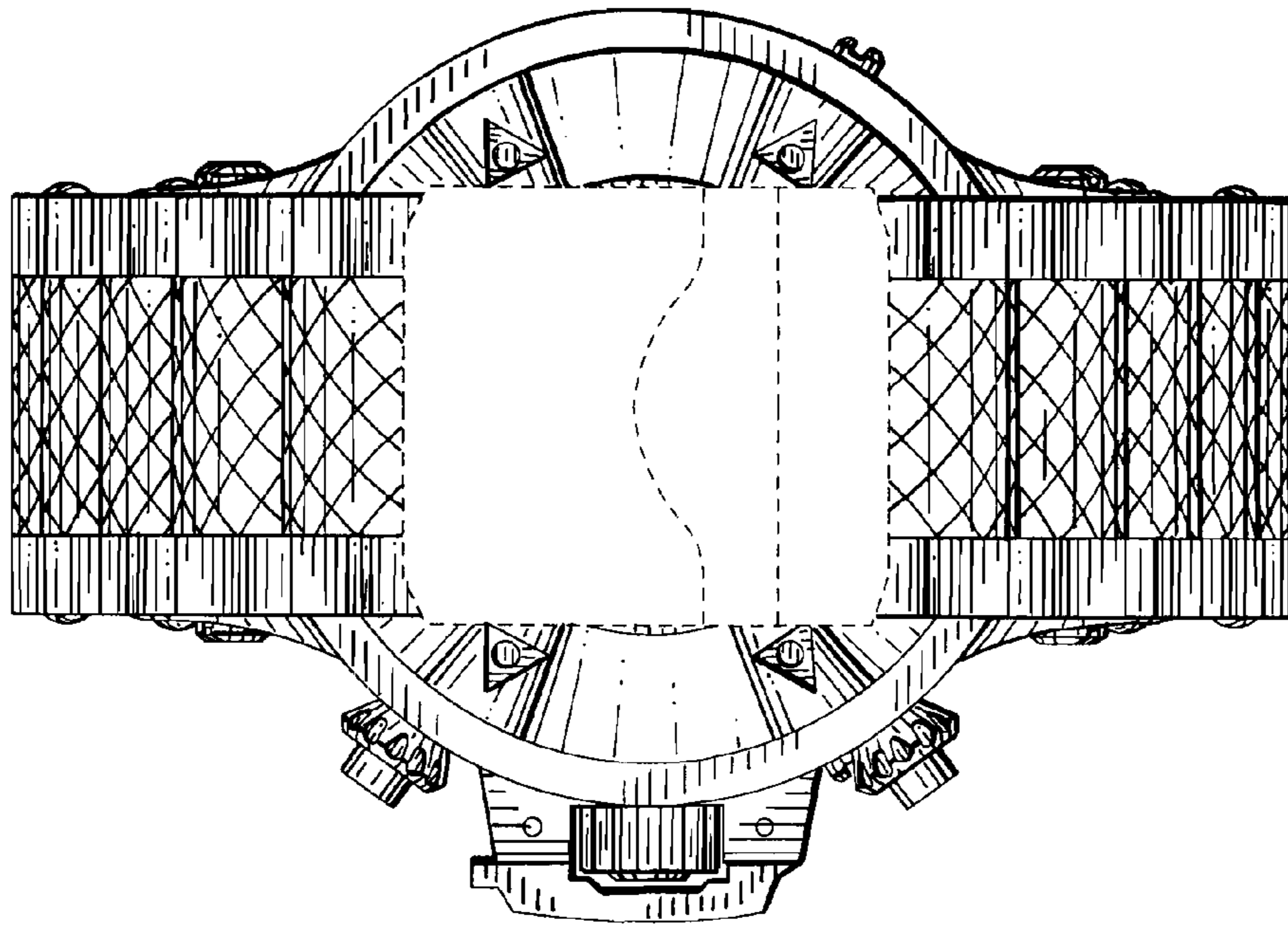
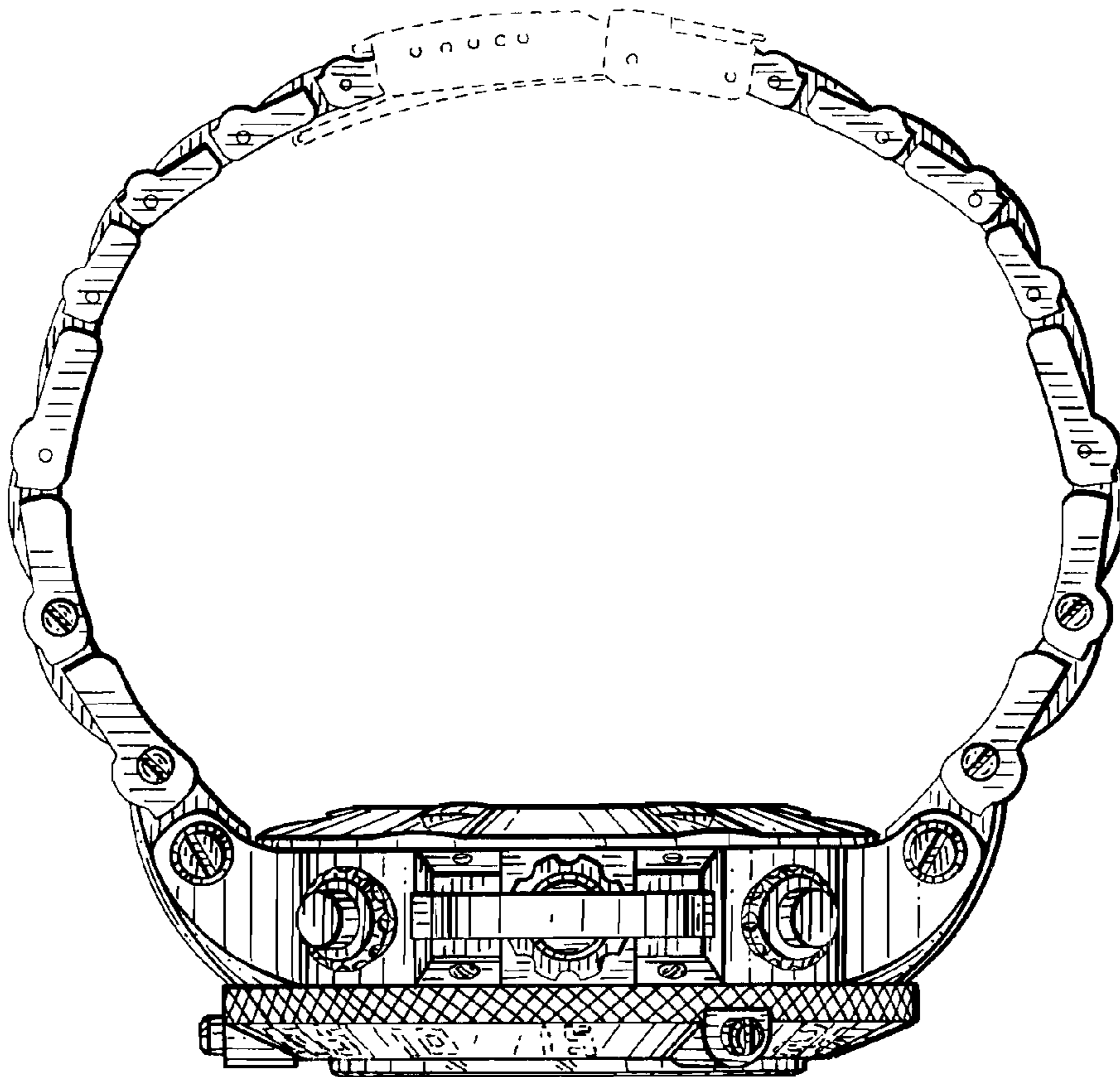


FIG. 6

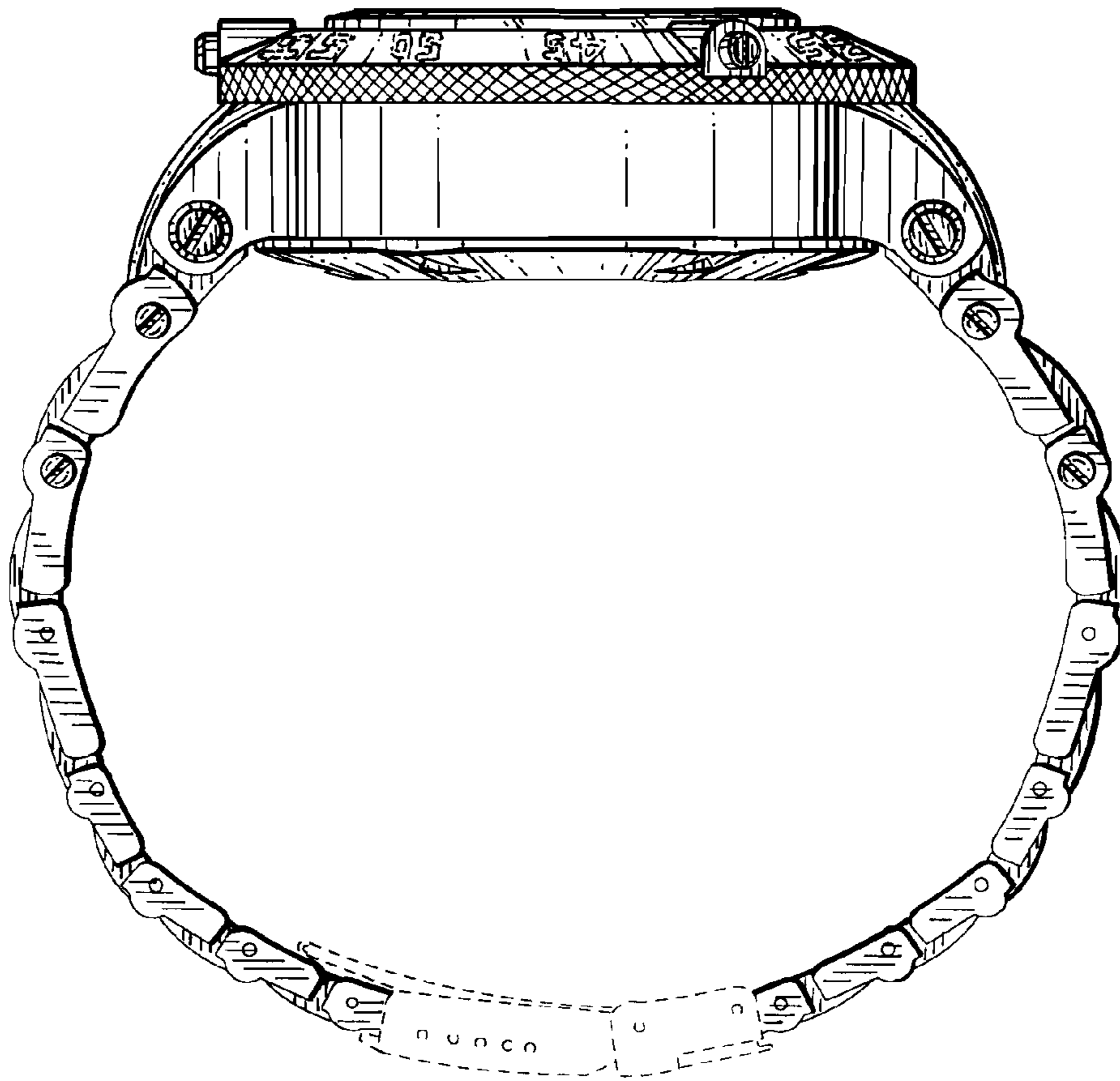


FIG. 7

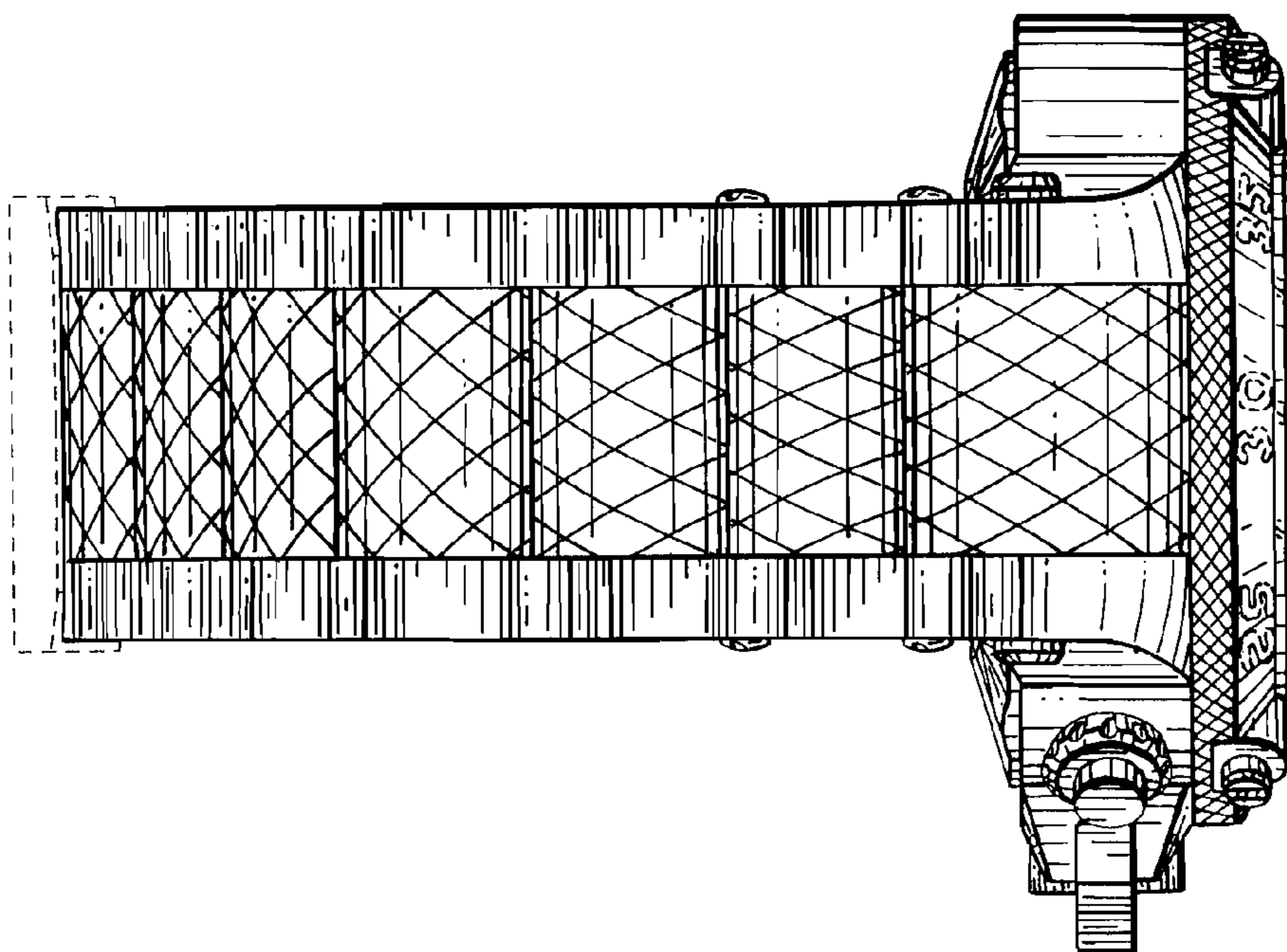


FIG. 5