



US00D609582S

(12) **United States Design Patent**
Pennington

(10) **Patent No.:** **US D609,582 S**

(45) **Date of Patent:** **** Feb. 9, 2010**

(54) **CONCEALMENT MANTLE CLOCK**

6,807,762 B1 10/2004 Edwards
D585,519 S 1/2009 Pennington
D601,041 S * 9/2009 Yadon et al. D10/2

(76) Inventor: **Billy Pennington**, 414 S. Pulaski St.,
Suite 1, Little Rock, AR (US) 72201

* cited by examiner

(**) Term: **14 Years**

Primary Examiner—Lucy Lieberman
(74) *Attorney, Agent, or Firm*—Crossley Patent Law; Mark A.
Crossley

(21) Appl. No.: **29/340,808**

(22) Filed: **Jul. 27, 2009**

(57) **CLAIM**

(51) **LOC (9) Cl.** **10-01**

The ornamental design for a concealment mantle clock, as
shown and described.

(52) **U.S. Cl.** **D10/2**

(58) **Field of Classification Search** D10/1–29;
368/10, 276, 277, 278, 316, 317, 223
See application file for complete search history.

DESCRIPTION

(56) **References Cited**

U.S. PATENT DOCUMENTS

D40,468	S	*	1/1910	Wheaton	D6/401
D50,106	S	*	12/1916	Hunter	D10/23
1,252,170	A	*	1/1918	Porter	368/273
D71,808	S	*	1/1927	Nelson	D10/1
D71,809	S	*	1/1927	Nelson	D10/1
D72,327	S	*	3/1927	Nelson	D10/1
D84,400	S	*	6/1931	Dornsief	D10/1
D96,021	S	*	6/1935	Cicarelli	D10/1
D235,523	S	*	6/1975	Miller	D10/2
D252,430	S	*	7/1979	Oakley et al.	D6/432
D273,827	S	*	5/1984	Bowers	D6/513
D339,298	S	*	9/1993	Marsh	D10/26
D351,639	S		10/1994	Su		
D443,208	S	*	6/2001	Chan	D10/2
6,256,916	B1		7/2001	McNulty		
D462,276	S	*	9/2002	Hall et al.	D10/2
6,636,412	B2		10/2003	Smith		

FIG. 1 is a rear elevation view of a concealment mantle clock
showing my new design shown with a rear panel in an open
position;

FIG. 2 is a rear elevation view thereof shown with a rear panel
in a closed position;

FIG. 3 is a right elevation view thereof shown with a rear
panel in the open position;

FIG. 4 is a top plan view thereof shown with a rear panel in the
open position;

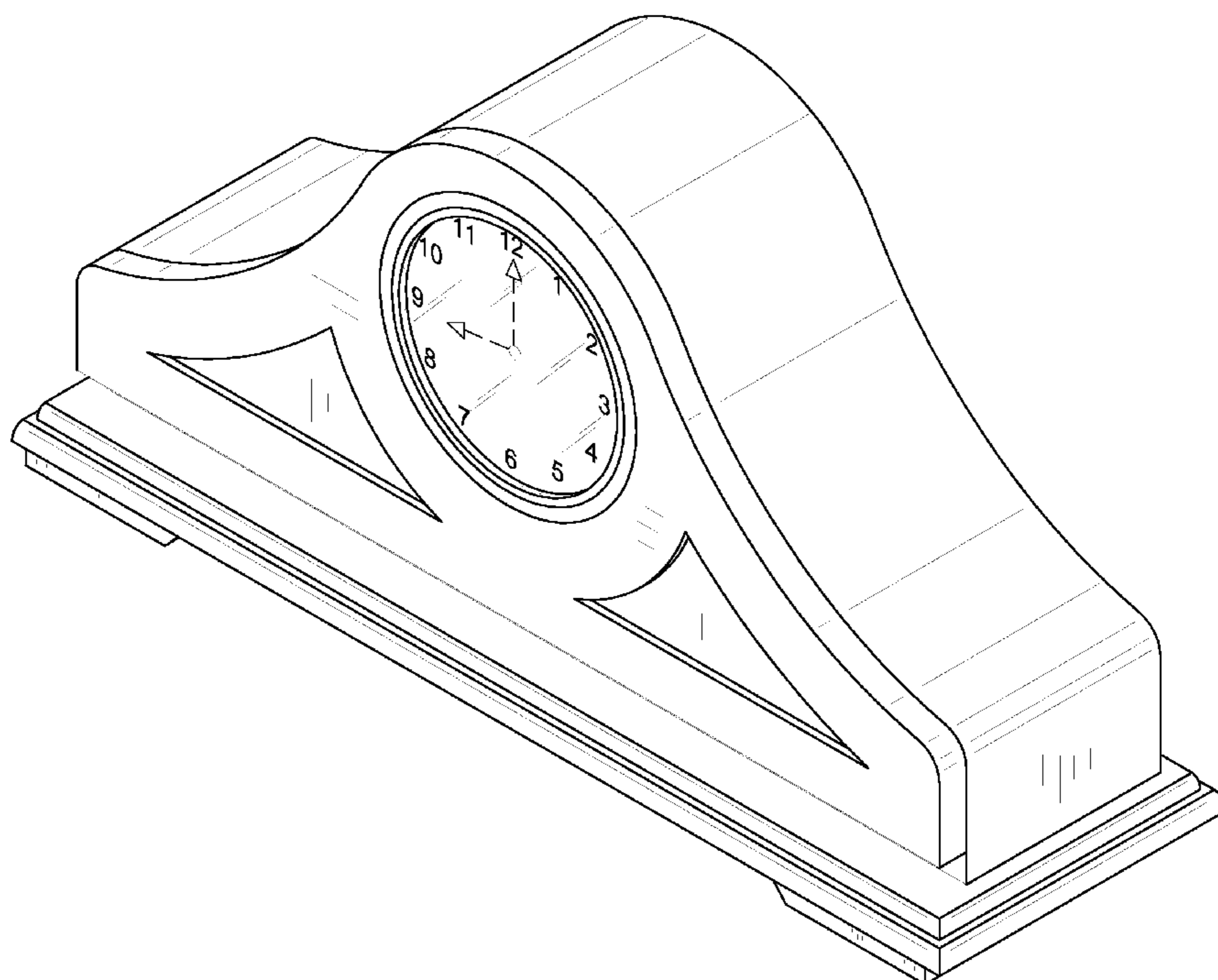
FIG. 5 is a bottom plan view thereof shown with a rear panel
in the open position;

FIG. 6 is rear isometric view thereof shown with a rear panel
in the open position for clarity; and,

FIG. 7 is a front isometric view thereof.

The broken lines in the drawings depict environmental sub-
ject matter only and form no part of the claimed design.

1 Claim, 7 Drawing Sheets



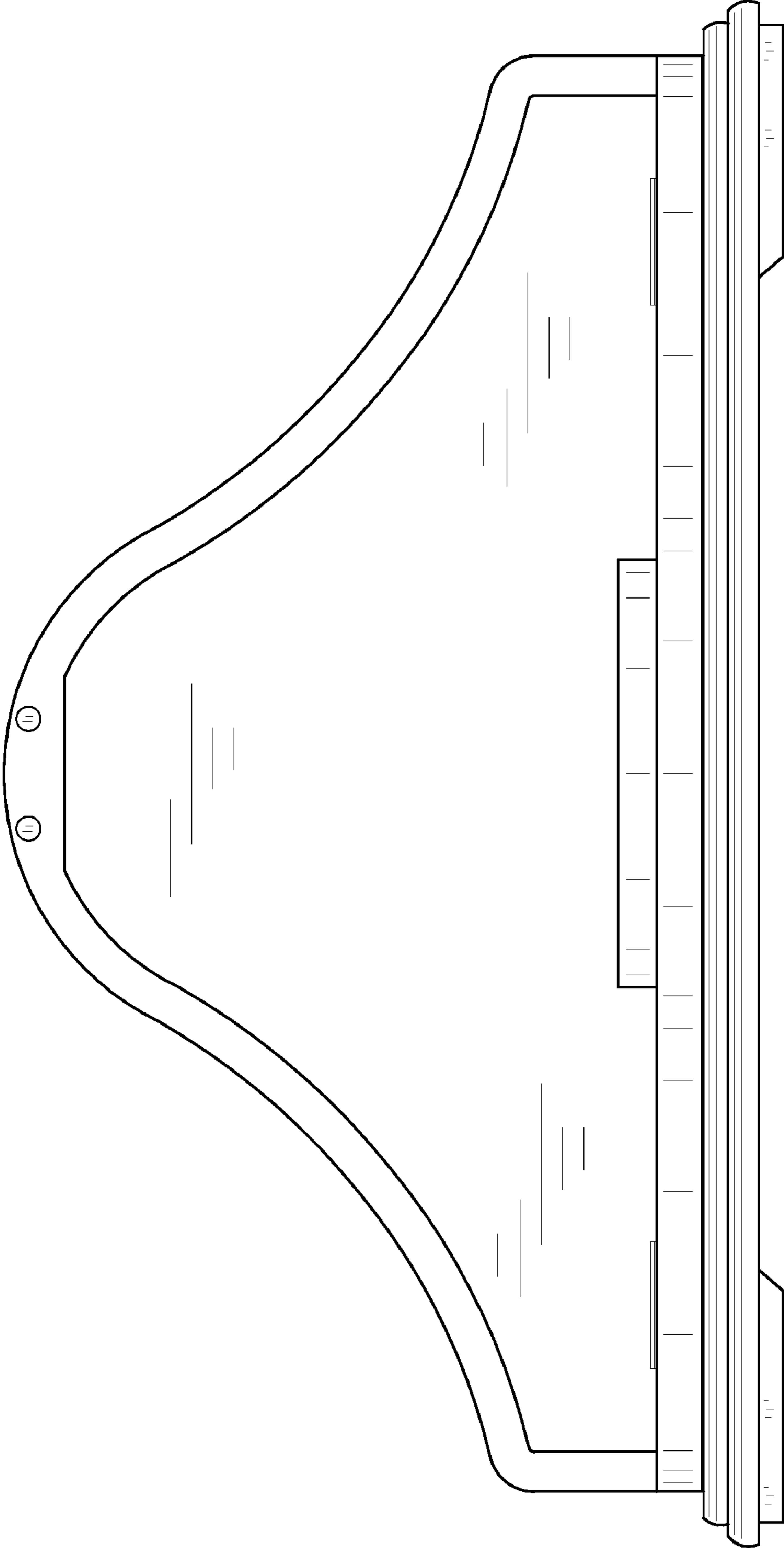


FIG. 1

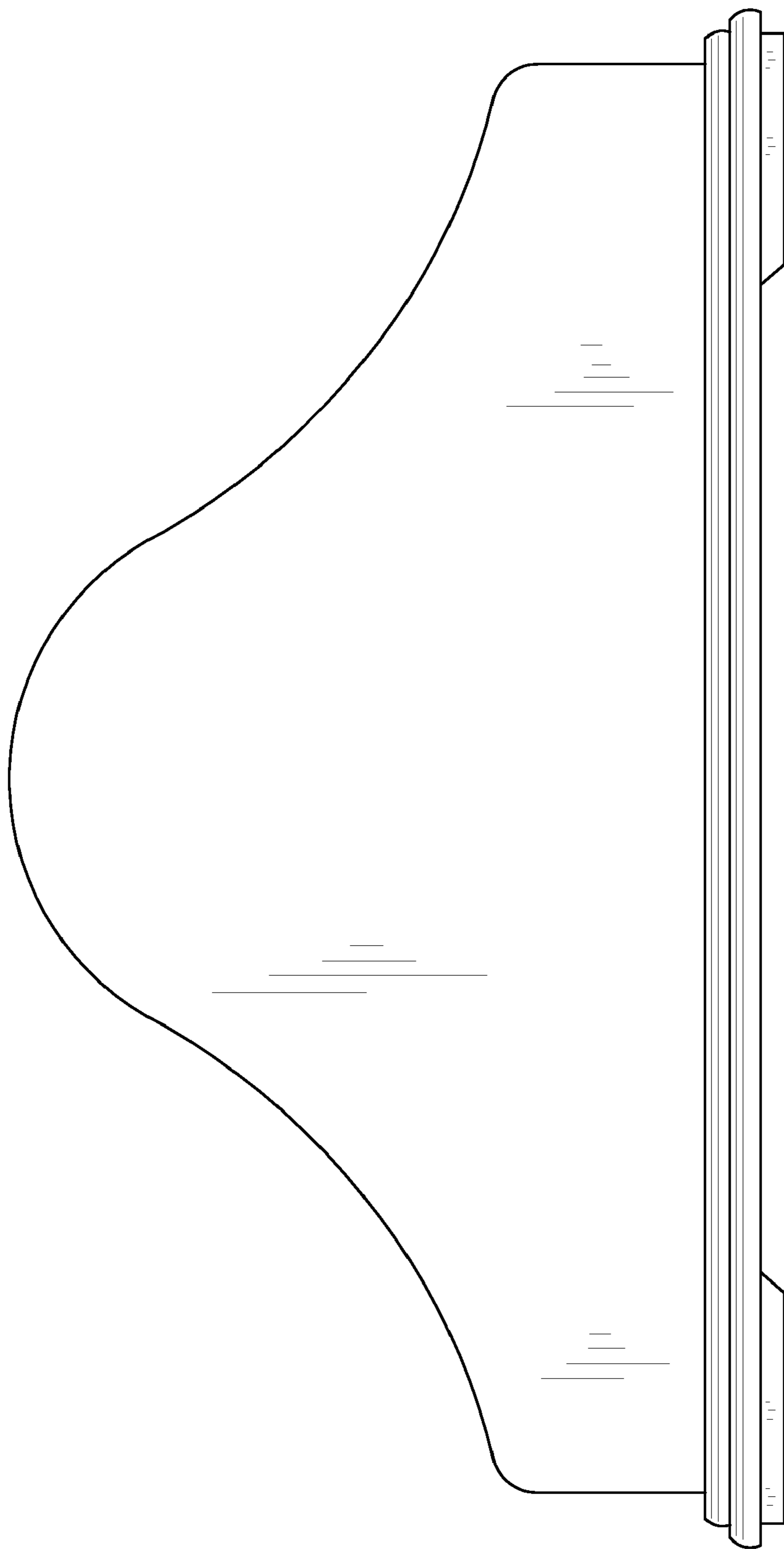


FIG. 2

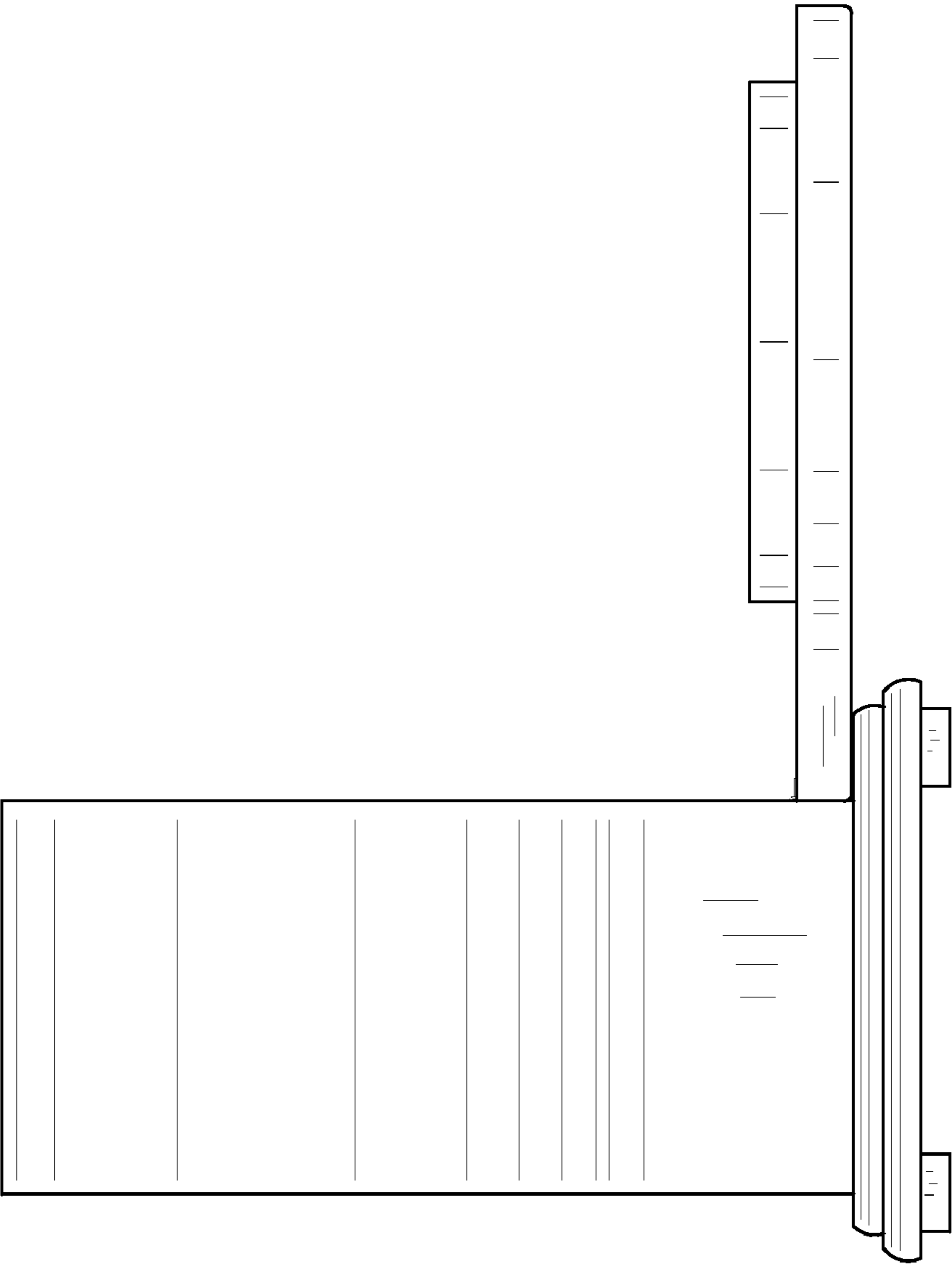


FIG. 3

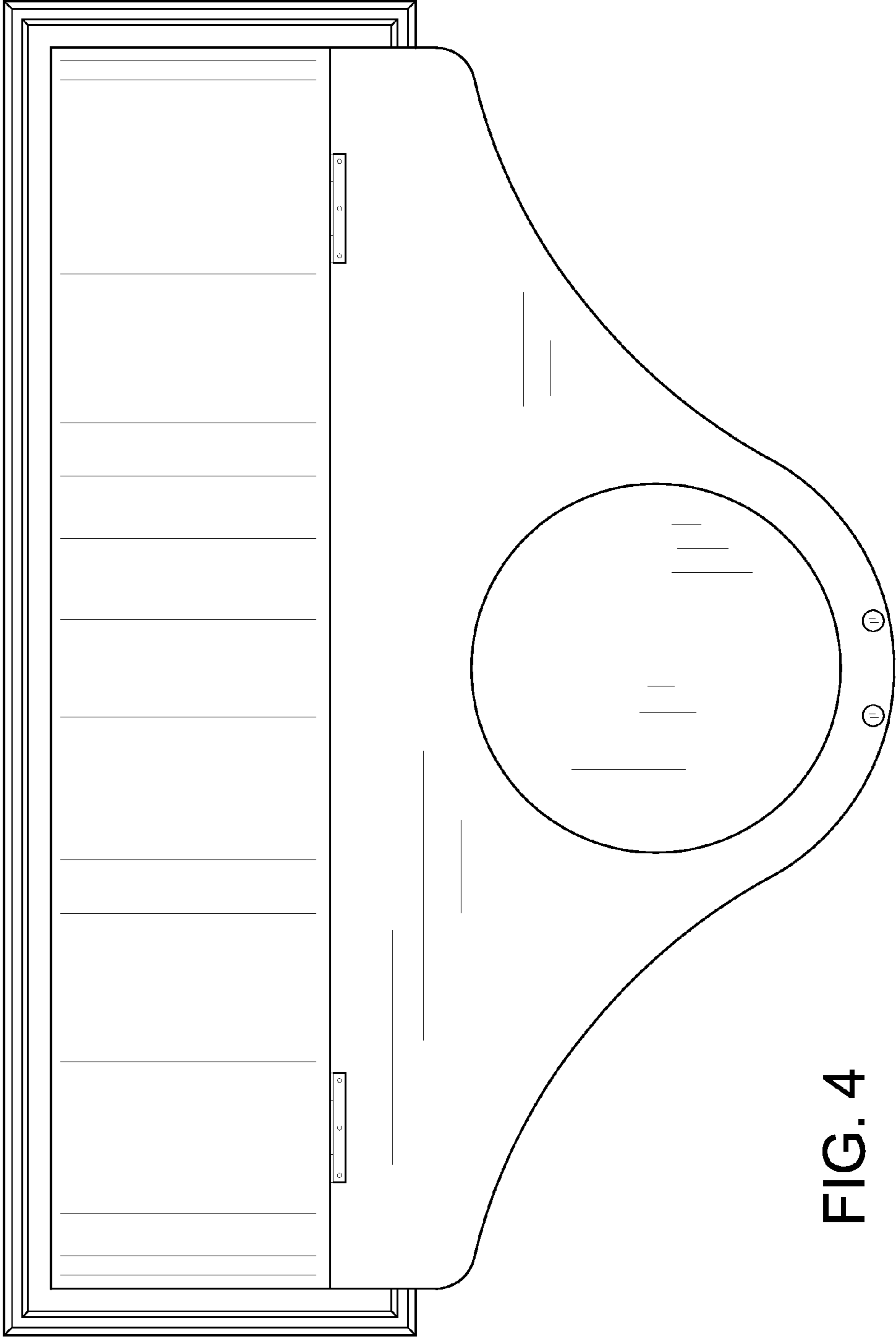


FIG. 4

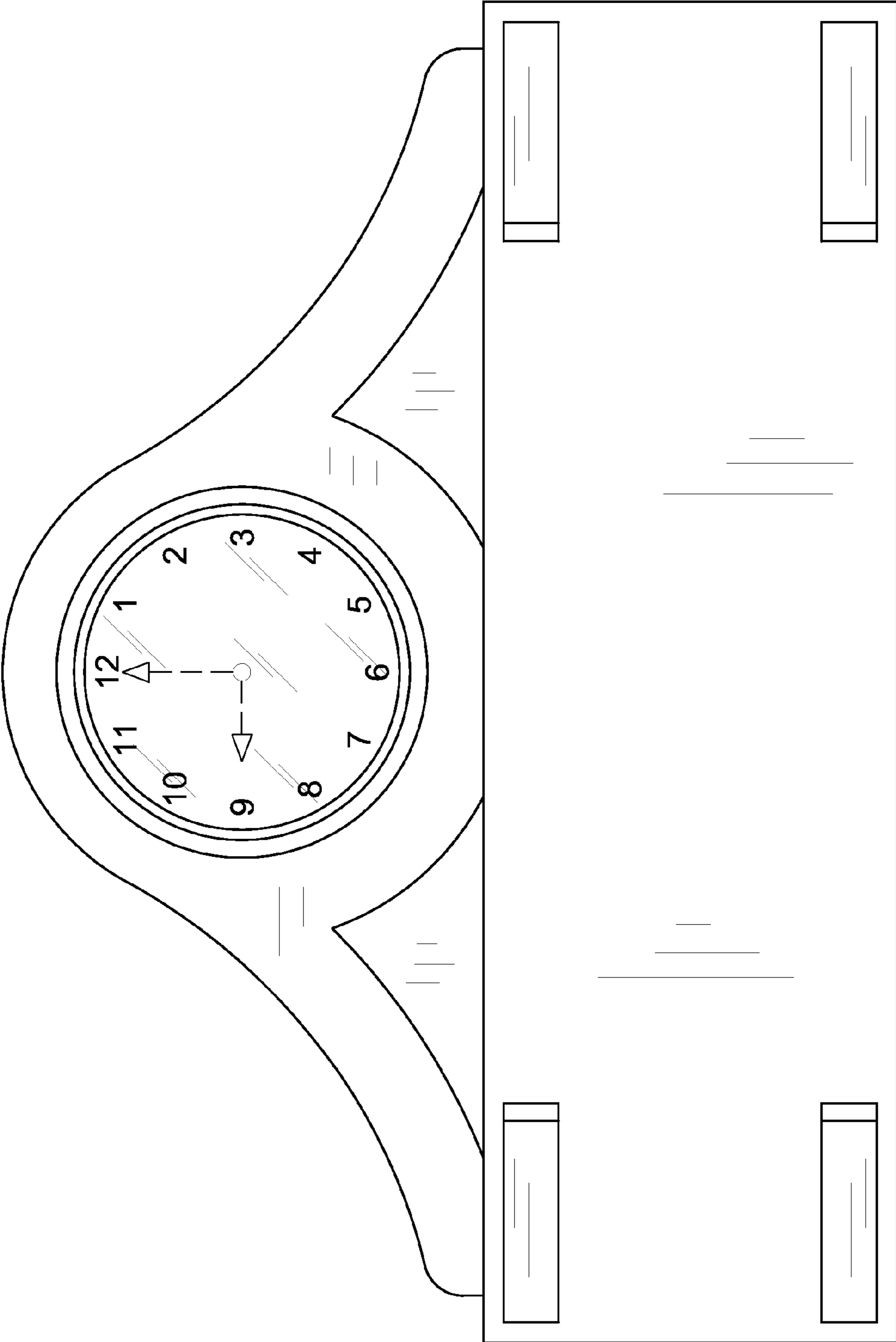


FIG. 5

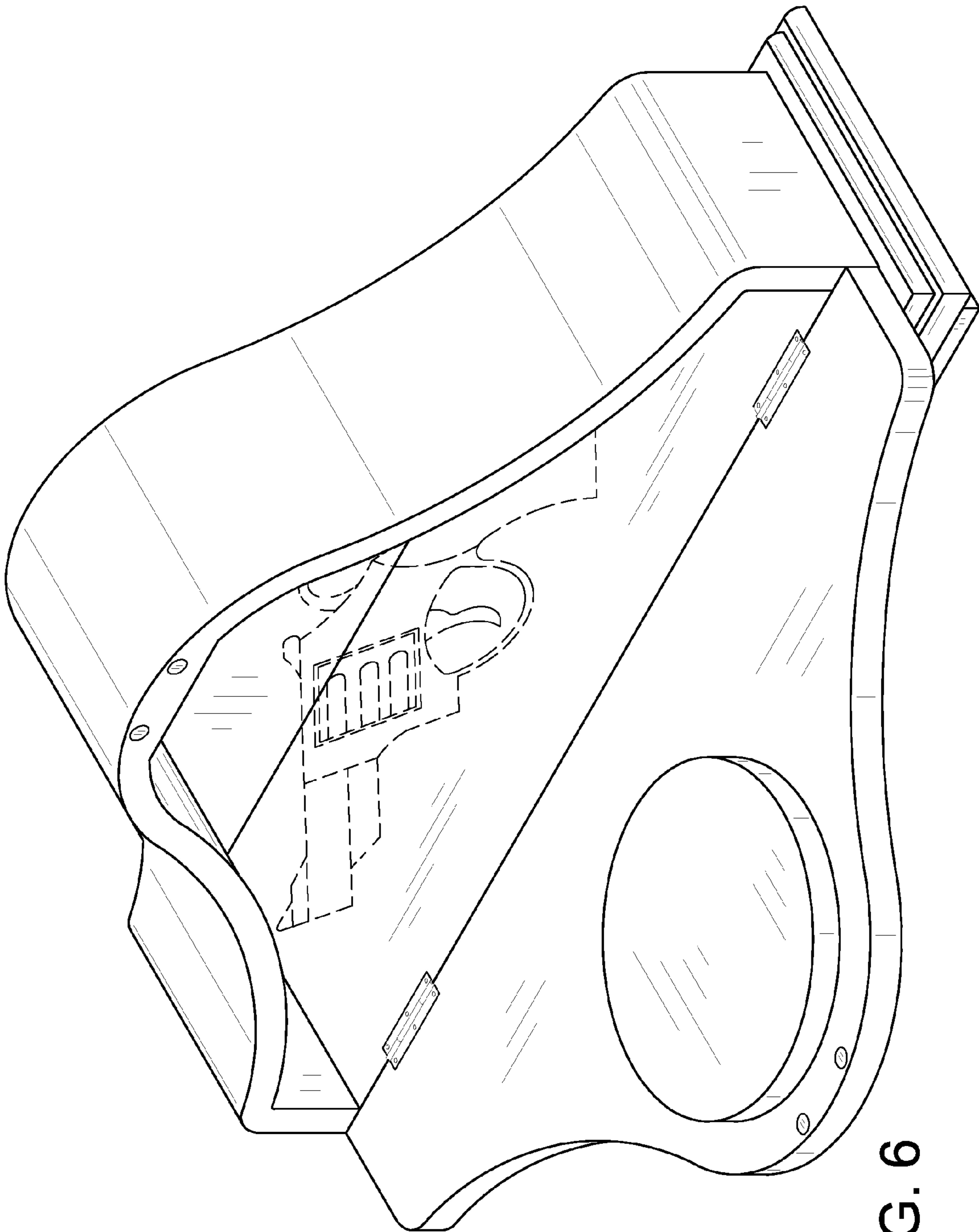


FIG. 6

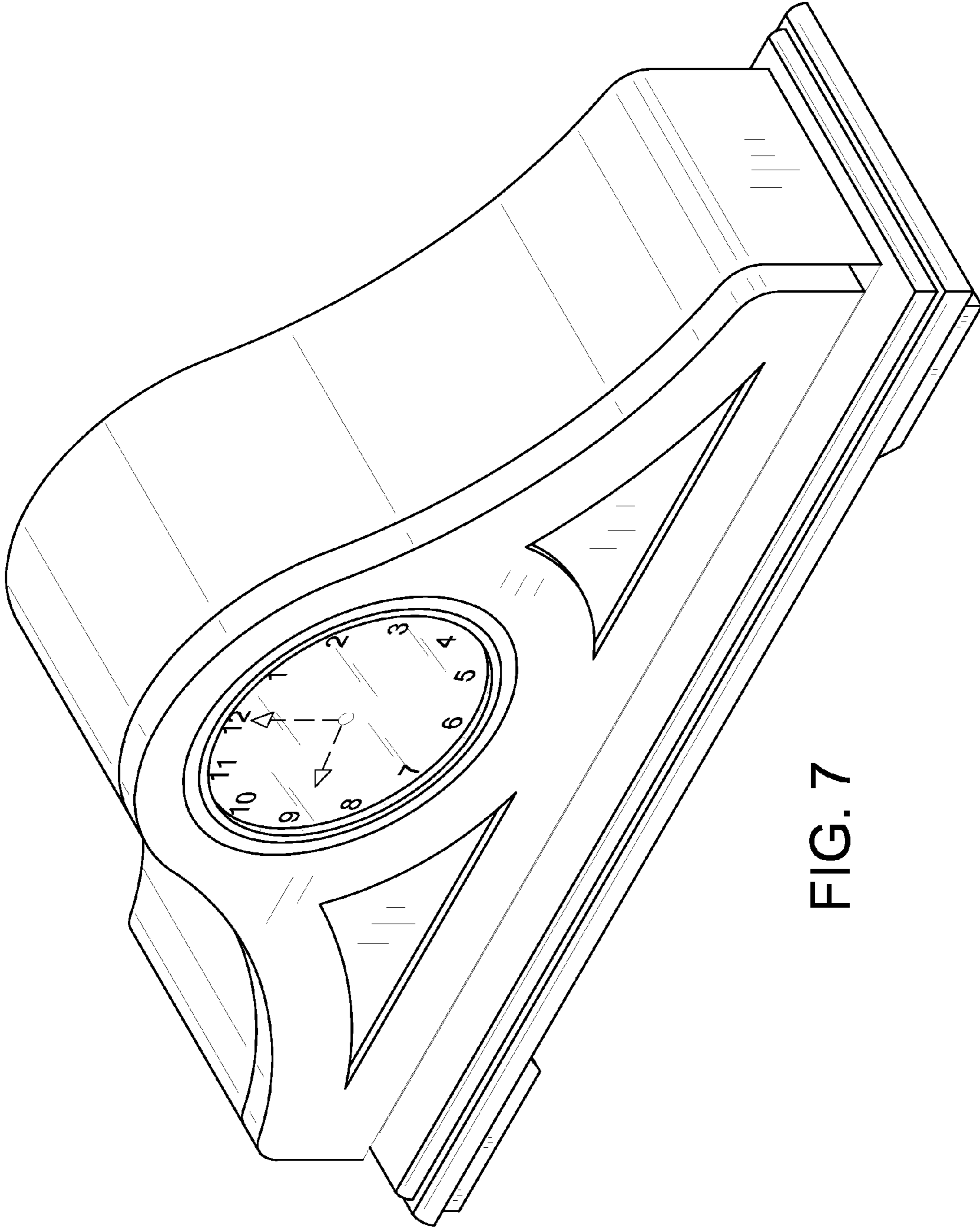


FIG. 7