



US00D609579S

(12) **United States Design Patent**
Regas

(10) **Patent No.:** **US D609,579 S**
(45) **Date of Patent:** **** Feb. 9, 2010**

(54) **BEVERAGE CONTAINER**

(76) Inventor: **John P Regas**, 28681 Via Pasatiempo,
Laguna Niguel, CA (US) 92677

(**) Term: **14 Years**

(21) Appl. No.: **29/341,310**

(22) Filed: **Aug. 3, 2009**

Related U.S. Application Data

(62) Division of application No. 29/303,770, filed on Feb.
15, 2008, now Pat. No. Des. 597,415.

(51) **LOC (9) Cl.** **09-01**

(52) **U.S. Cl.** **D9/675**

(58) **Field of Classification Search** D3/270-271.1,
D3/271.11-271.12; D7/514-517, 519-520;
D9/600, 672-677, 516, 522-523, 530, 537-543,
D9/572-575; D21/548-551; 206/457, 822;
220/890; 229/116.1-116.3

See application file for complete search history.

(56) **References Cited**

U.S. PATENT DOCUMENTS

1,553,793 A * 9/1925 Rozowsky 206/822
(Continued)

OTHER PUBLICATIONS

U.S. Appl. No. 29/341,313, filed by Regas, on Aug. 3, 2009, includ-
ing its prosecution history.

(Continued)

Primary Examiner—Sandra Morris

(74) *Attorney, Agent, or Firm*—Knobbe Martens Olson &
Bear LLP

(57) **CLAIM**

The ornamental design for a beverage container, as shown and
described.

DESCRIPTION

FIG. 1 is a perspective view of a beverage container showing
my new design in accordance with a first embodiment of the
invention;

FIG. 2 is a front elevational view of the design of FIG. 1;

FIG. 3 is a rear elevational view of the design of FIG. 1;

FIG. 4 is a right side elevational view of the design of FIG. 1,
the left side being a mirror image thereof;

FIG. 5 is a top elevational view of the design of FIG. 1;

FIG. 6 is a bottom elevational view of the design of FIG. 1;

FIG. 7 is a perspective view of a beverage container showing
my new design in accordance with a second embodiment of
the invention;

FIG. 8 is a front elevational view of the design of FIG. 7;

FIG. 9 is a rear elevational view of the design of FIG. 7;

FIG. 10 is a right side elevational view of the design of FIG.
7, the left side being a mirror image thereof;

FIG. 11 is a top elevational view of the design of FIG. 7;

FIG. 12 is a bottom elevational view of the design of FIG. 7;

FIG. 13 is a perspective view of a beverage container showing
my new design in accordance with a third embodiment of the
invention;

FIG. 14 is a front elevational view of the design of FIG. 13;

FIG. 15 is a rear elevational view of the design of FIG. 13;

FIG. 16 is a right side elevational view of the design of FIG.
13, the left side being a mirror image thereof;

FIG. 17 is a top elevational view of the design of FIG. 13;

FIG. 18 is a bottom elevational view of the design of FIG. 13;

FIG. 19 is a perspective view of a beverage container showing
my new design in accordance with a fourth embodiment of
the invention;

FIG. 20 is a front elevational view of the design of FIG. 19;

FIG. 21 is a rear elevational view of the design of FIG. 19;

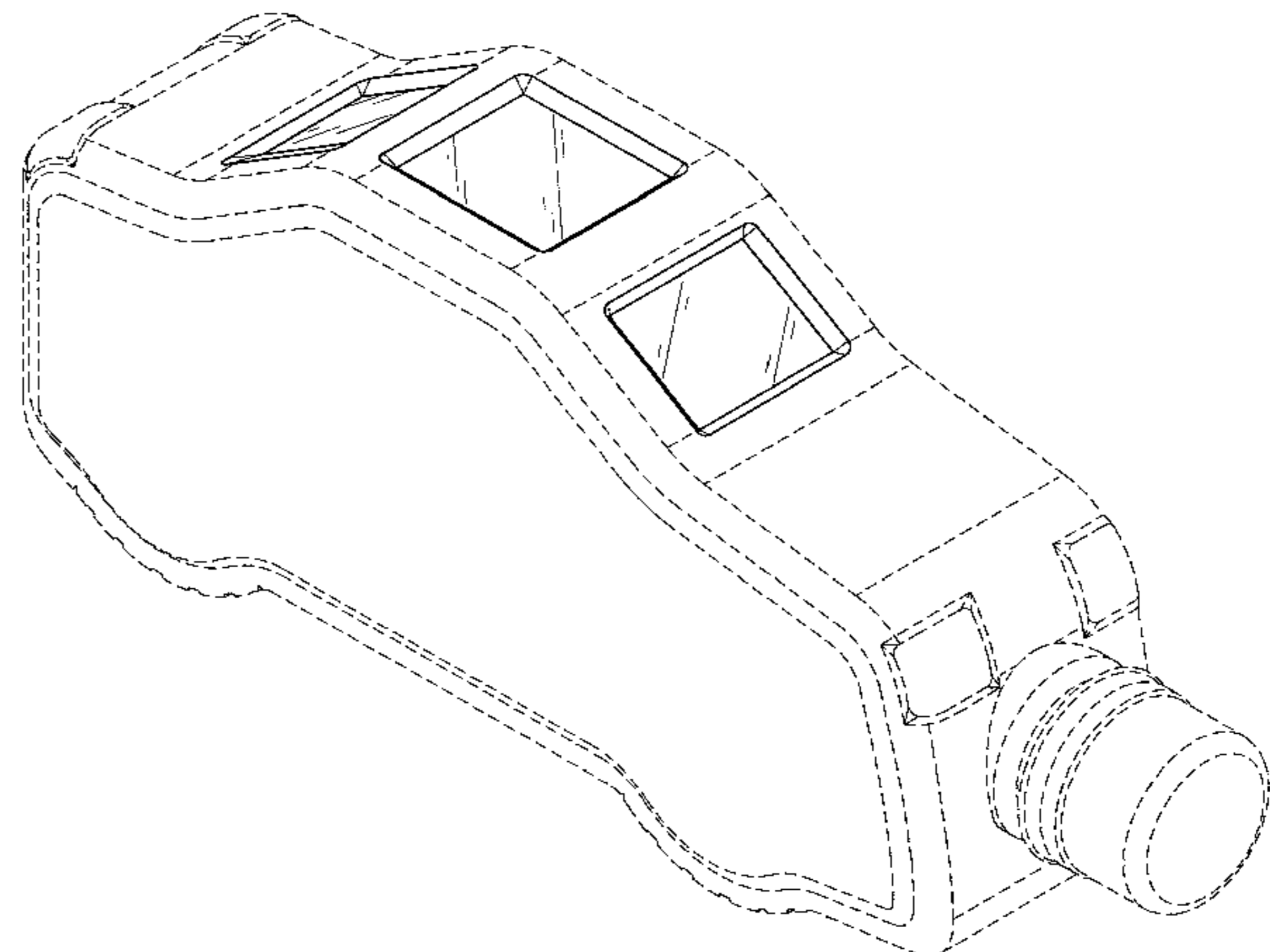
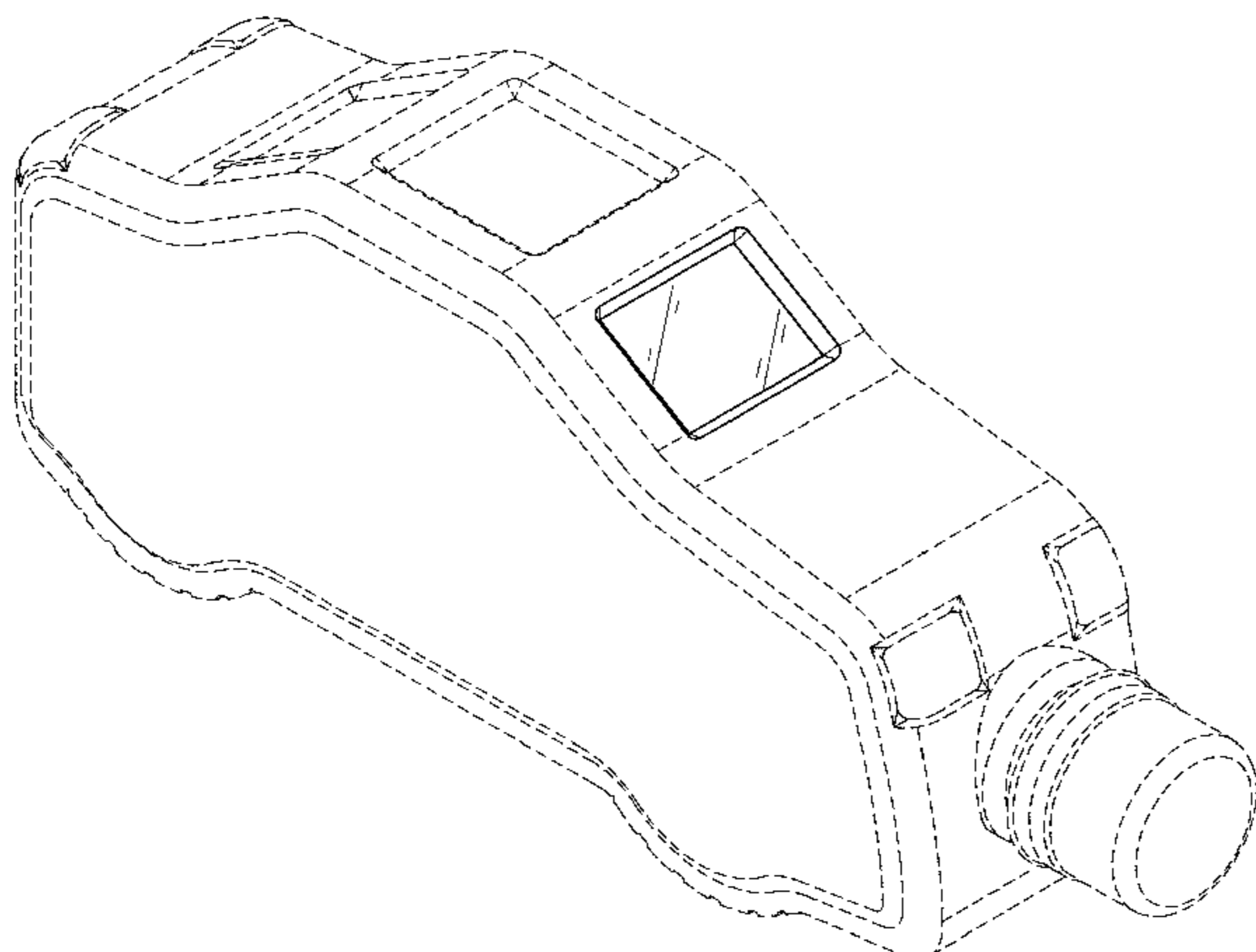
FIG. 22 is a right side elevational view of the design of FIG.
19, the left side being a mirror image thereof;

FIG. 23 is a top elevational view of the design of FIG. 19; and,

FIG. 24 is a bottom elevational view of the design of FIG. 19.

The broken lines shown in the drawings form no part of the
claimed design.

1 Claim, 16 Drawing Sheets



US D609,579 S

Page 2

U.S. PATENT DOCUMENTS

4,646,959 A * 3/1987 Sheffer 206/457
D416,478 S * 11/1999 Craven et al. D9/675
D423,886 S * 5/2000 Lieblein D7/628
D458,140 S * 6/2002 Hutchins D9/523
D517,729 S * 3/2006 Angeletta D28/7
D559,108 S 1/2008 Regas

D597,414 S 8/2009 Regas
D598,298 S 8/2009 Regas

OTHER PUBLICATIONS

U.S. Appl. No. 29/342,032, filed by Regas, on Aug. 17, 2009, including its prosecution history.

* cited by examiner

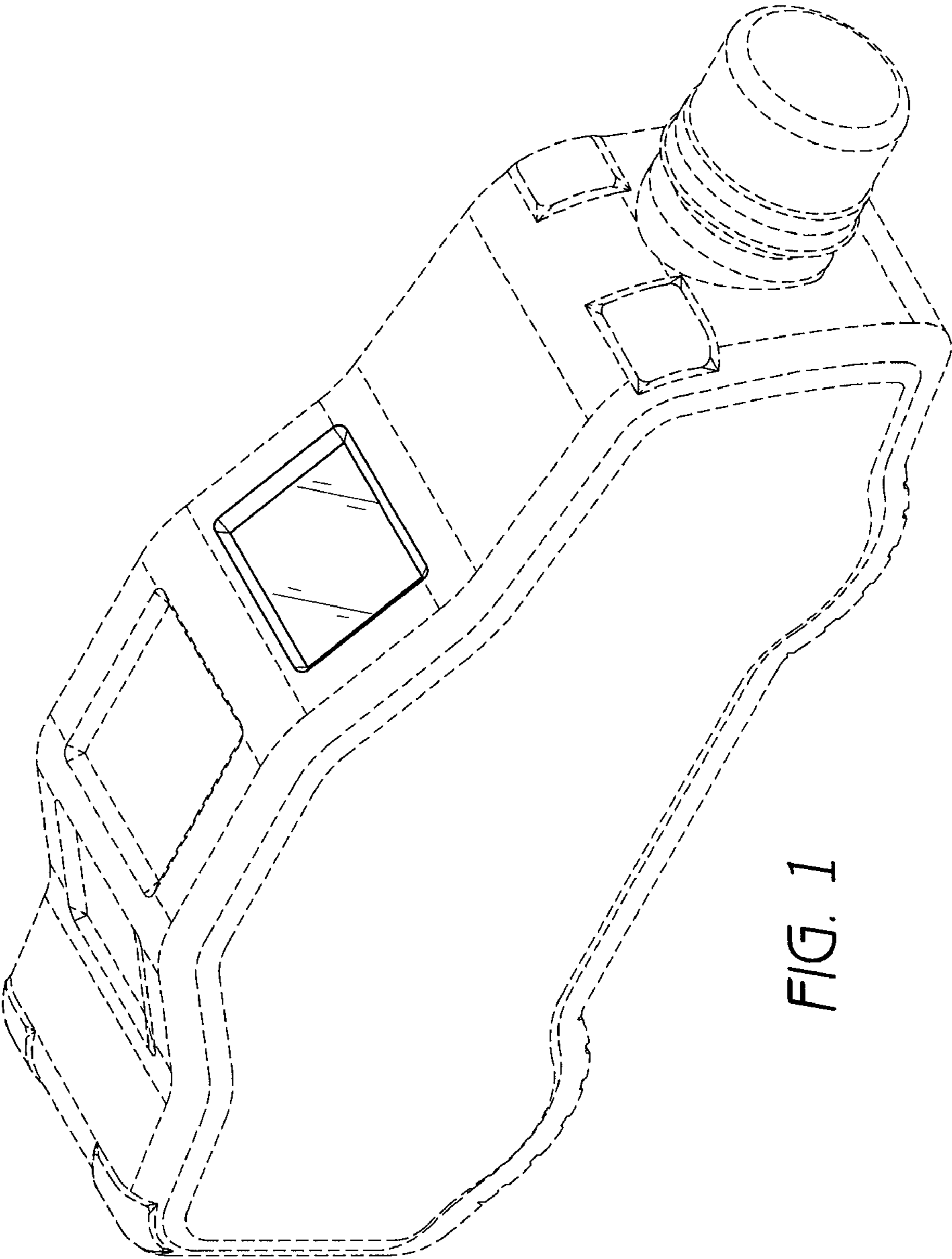


FIG. 1

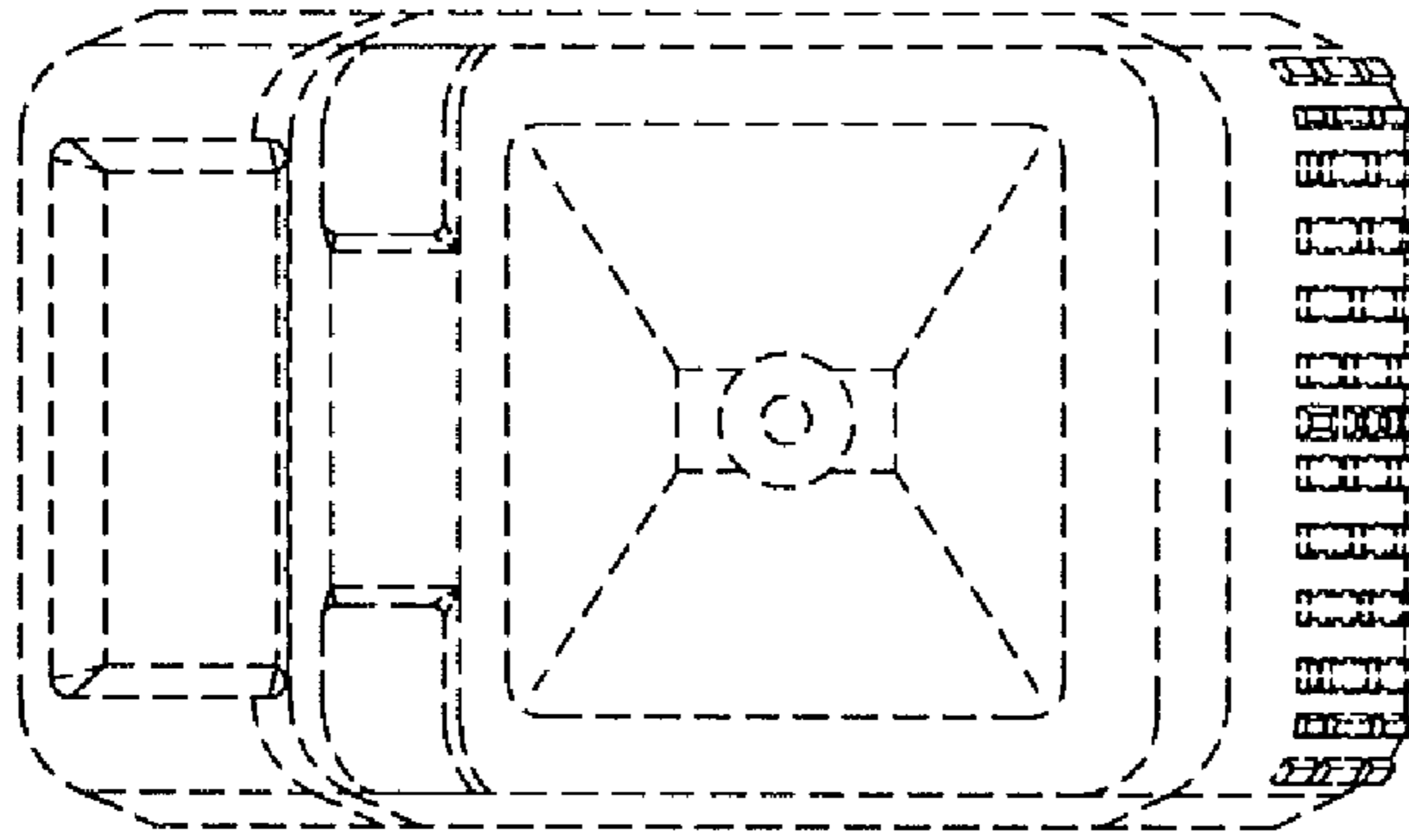


FIG. 2

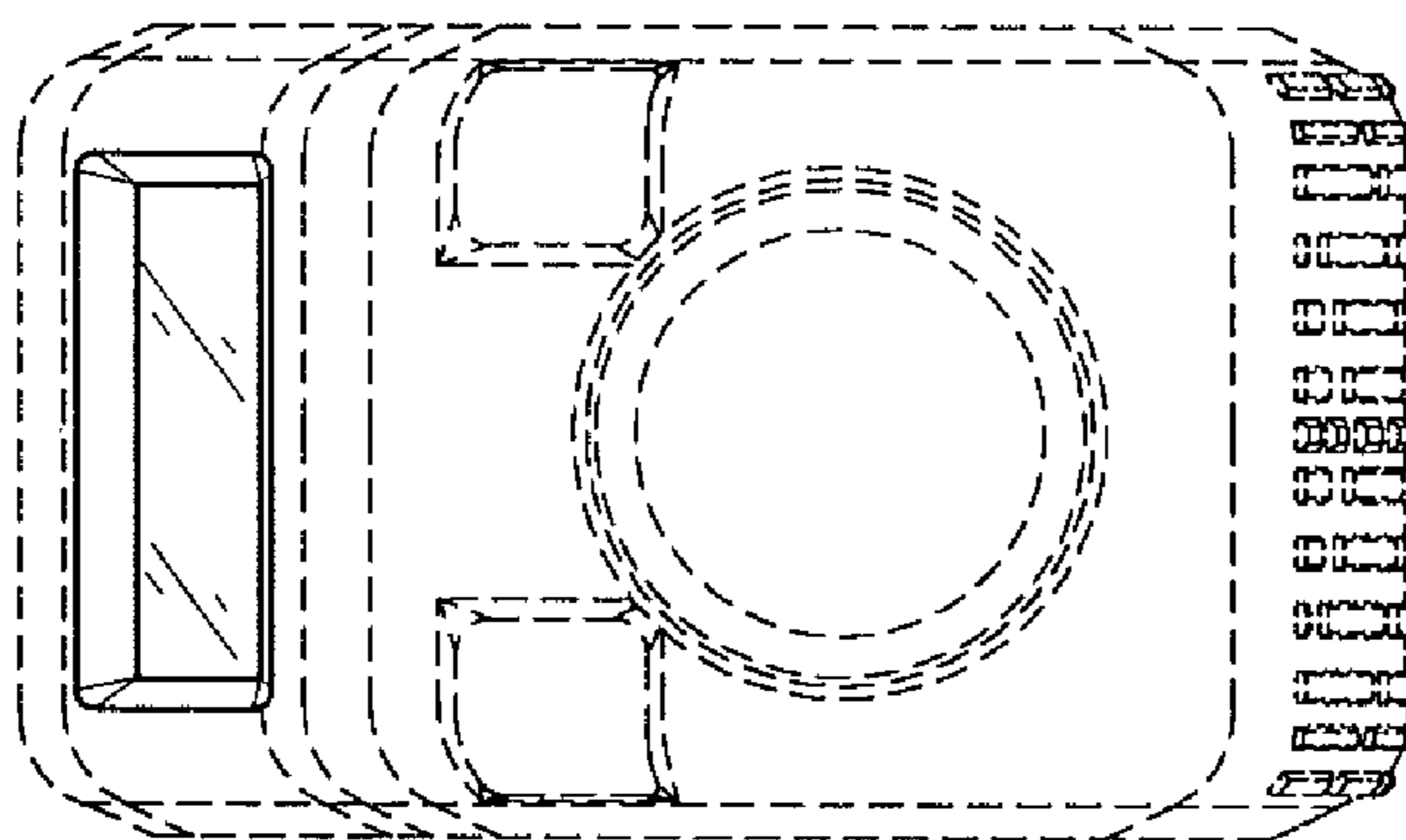


FIG. 3

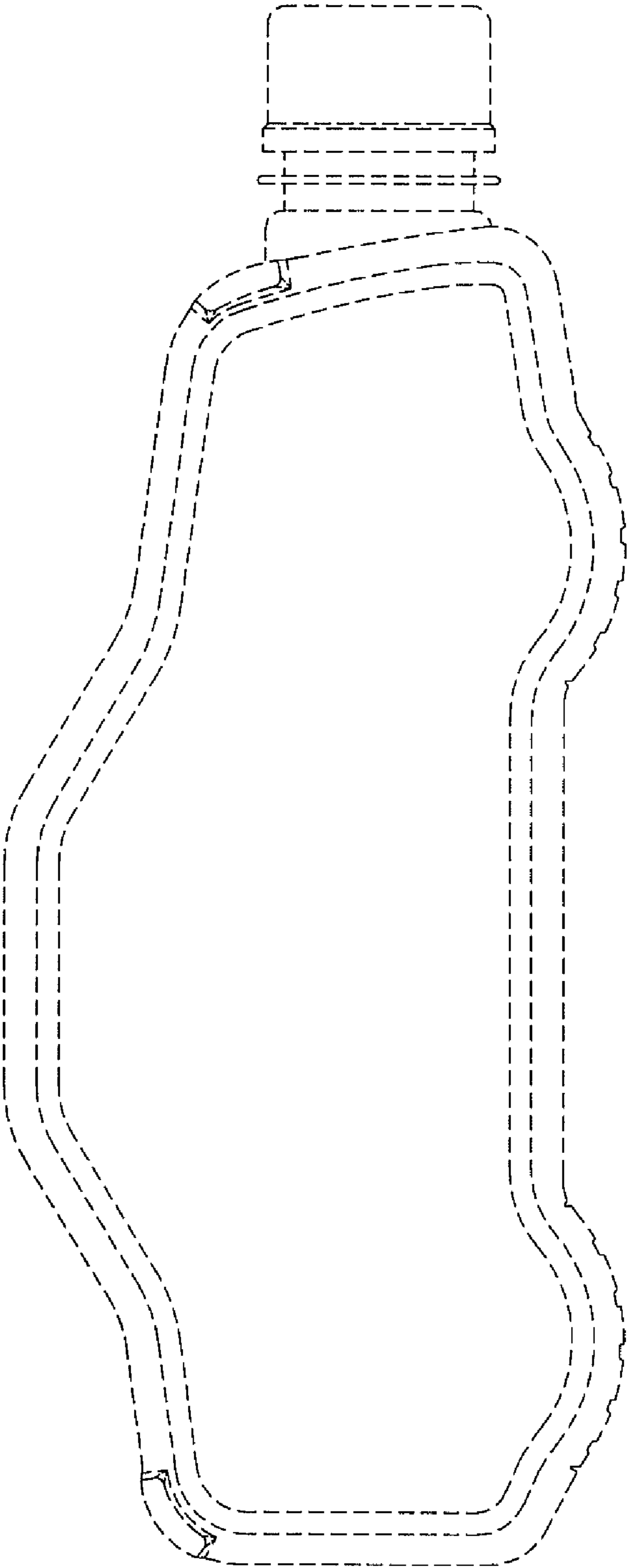


FIG. 4

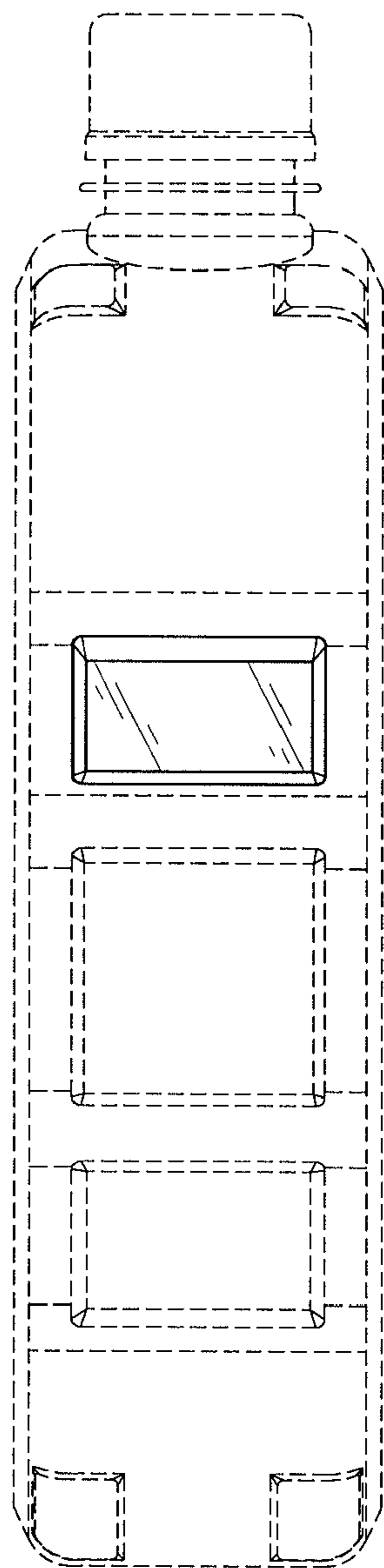


FIG. 5

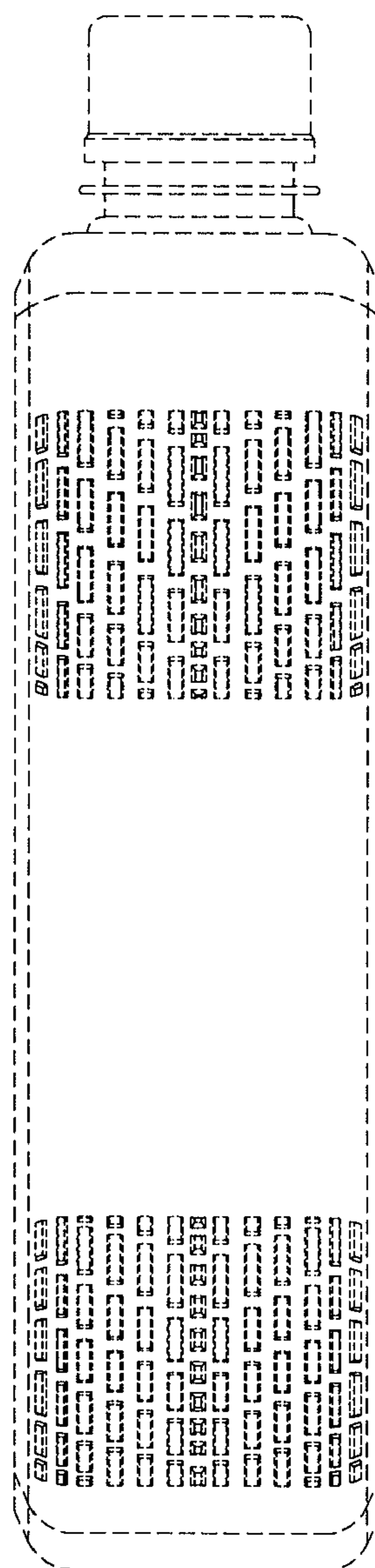


FIG. 6

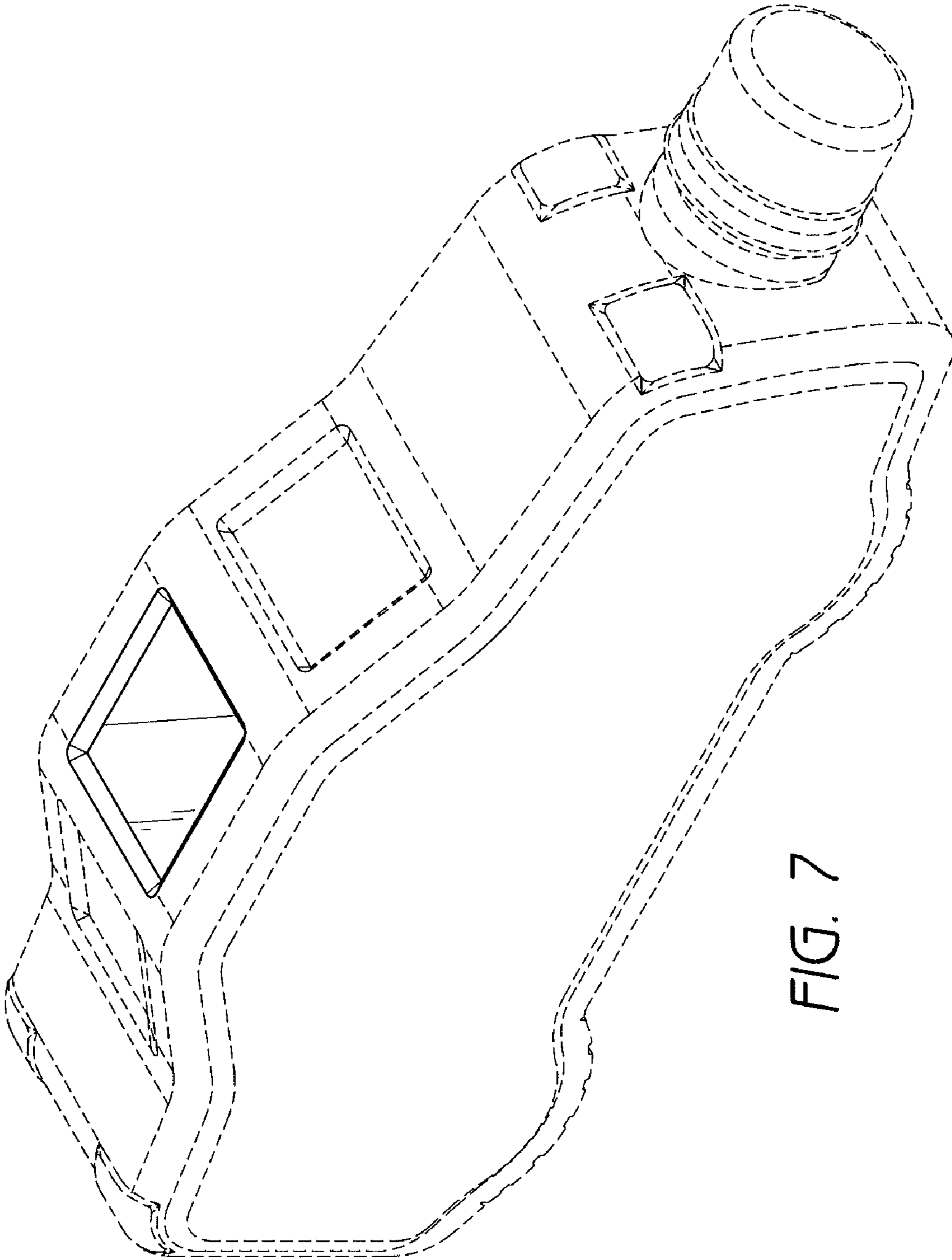


FIG. 7

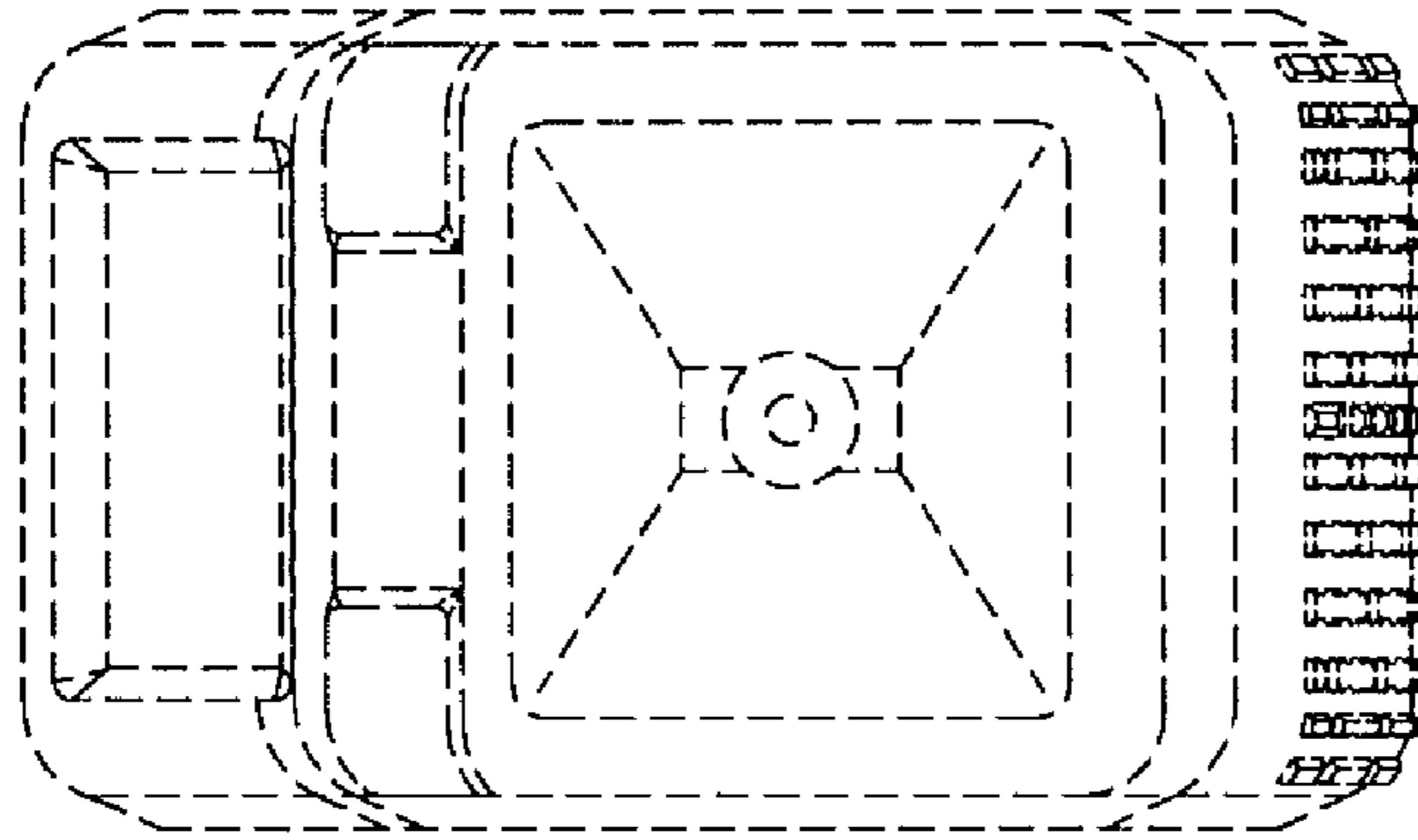


FIG. 9

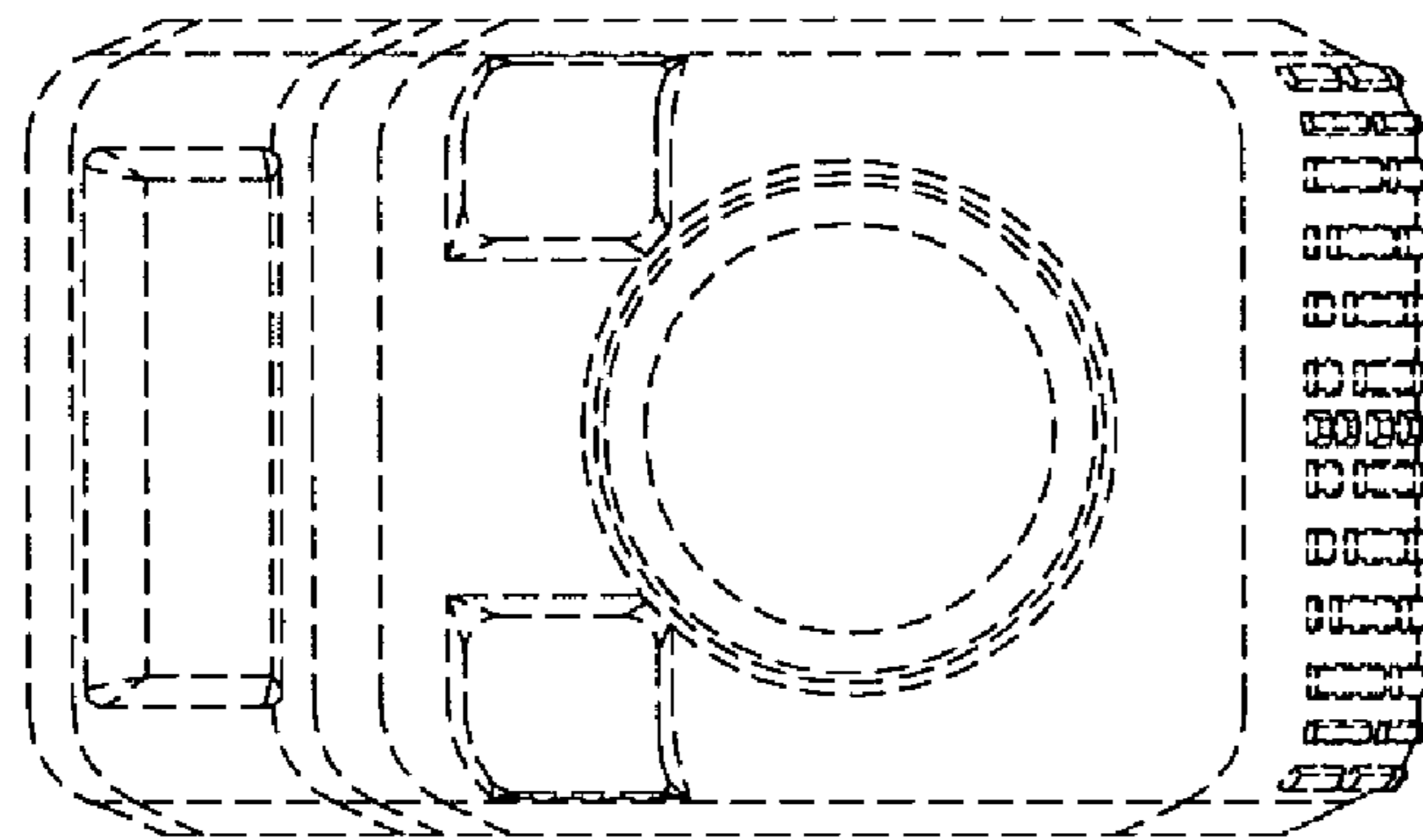


FIG. 8

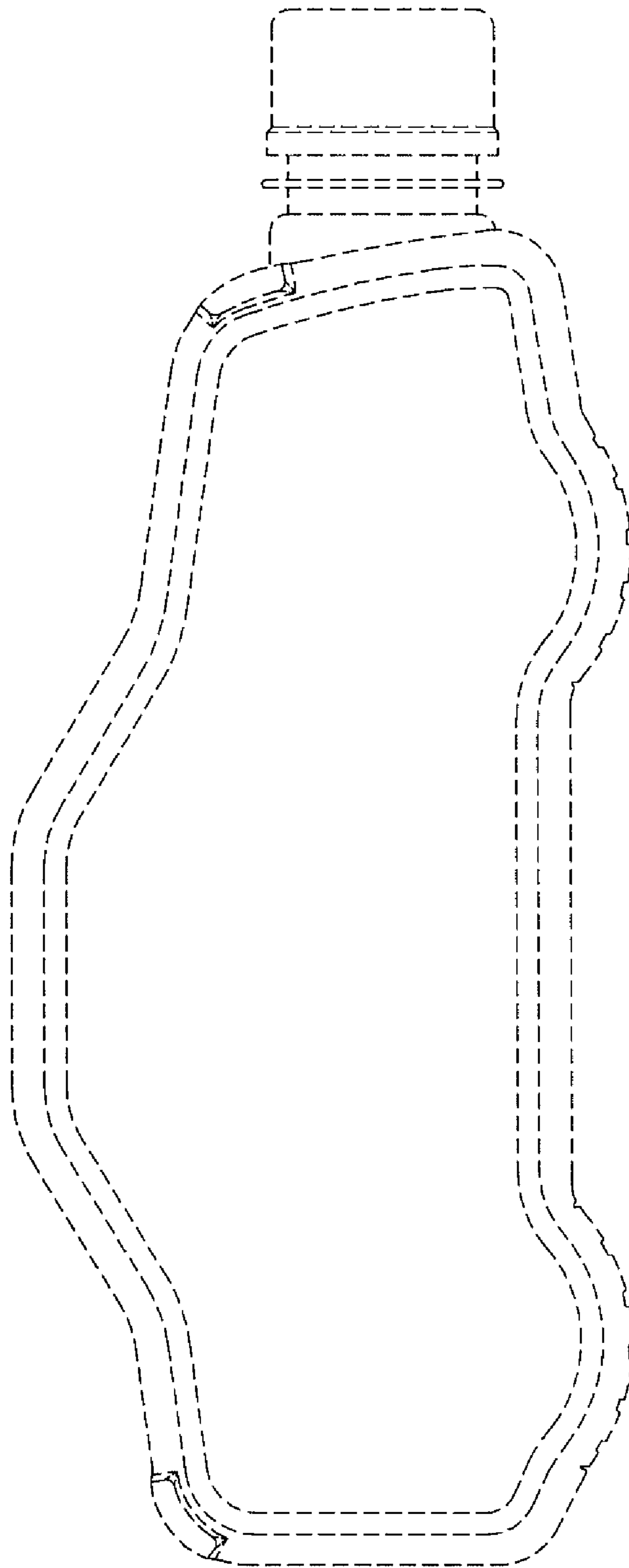


FIG. 10

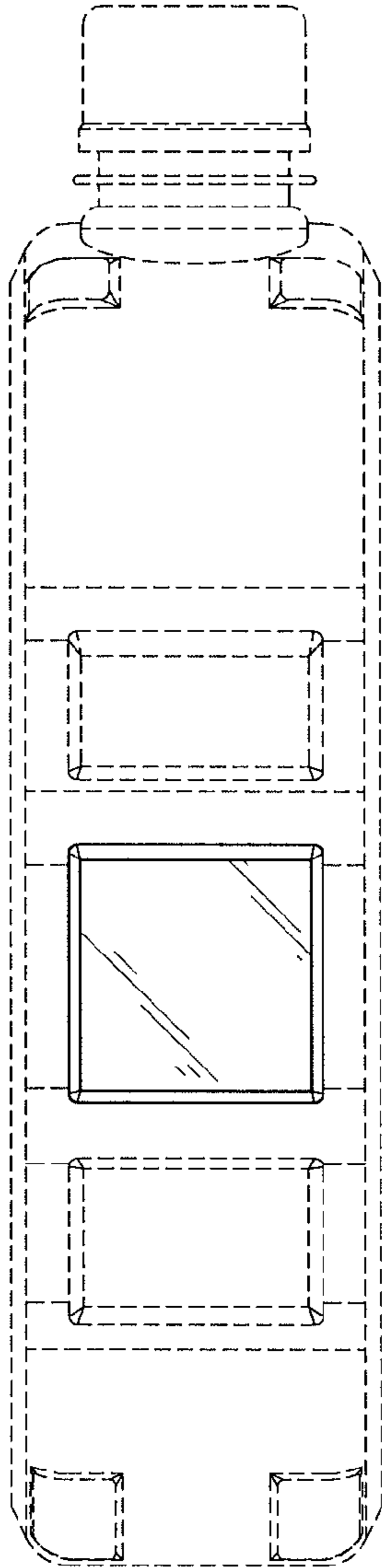


FIG. 11

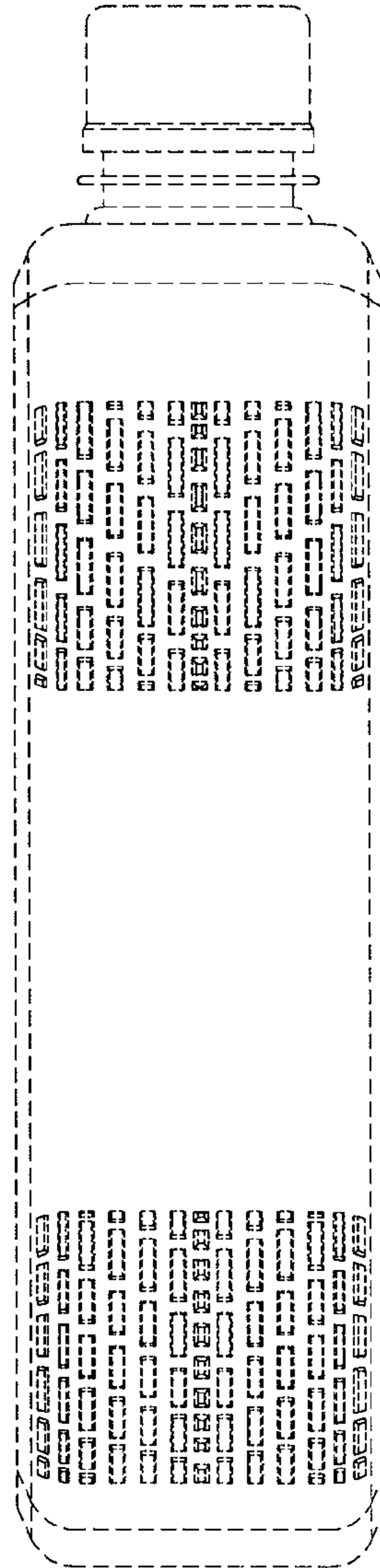


FIG. 12

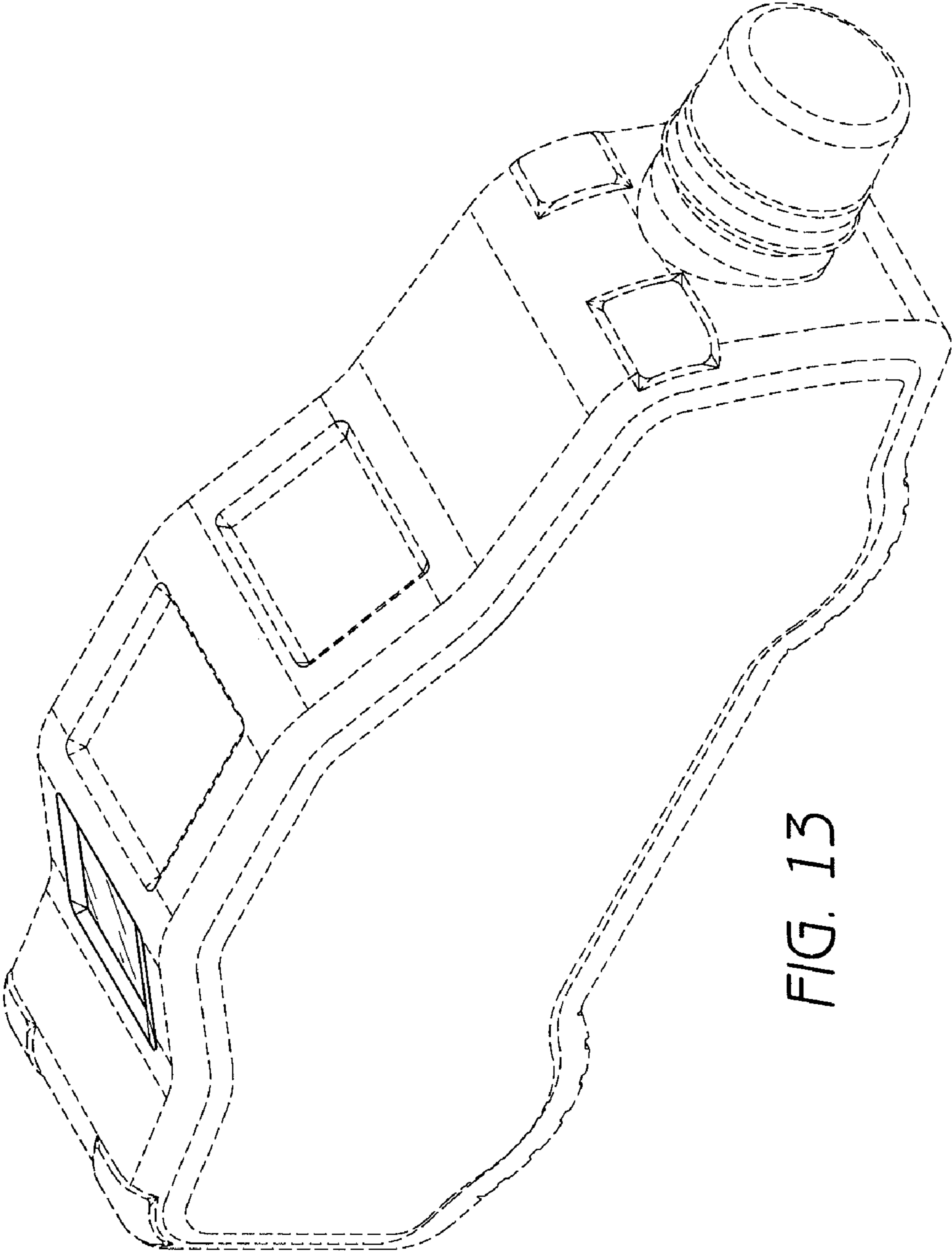


FIG. 13

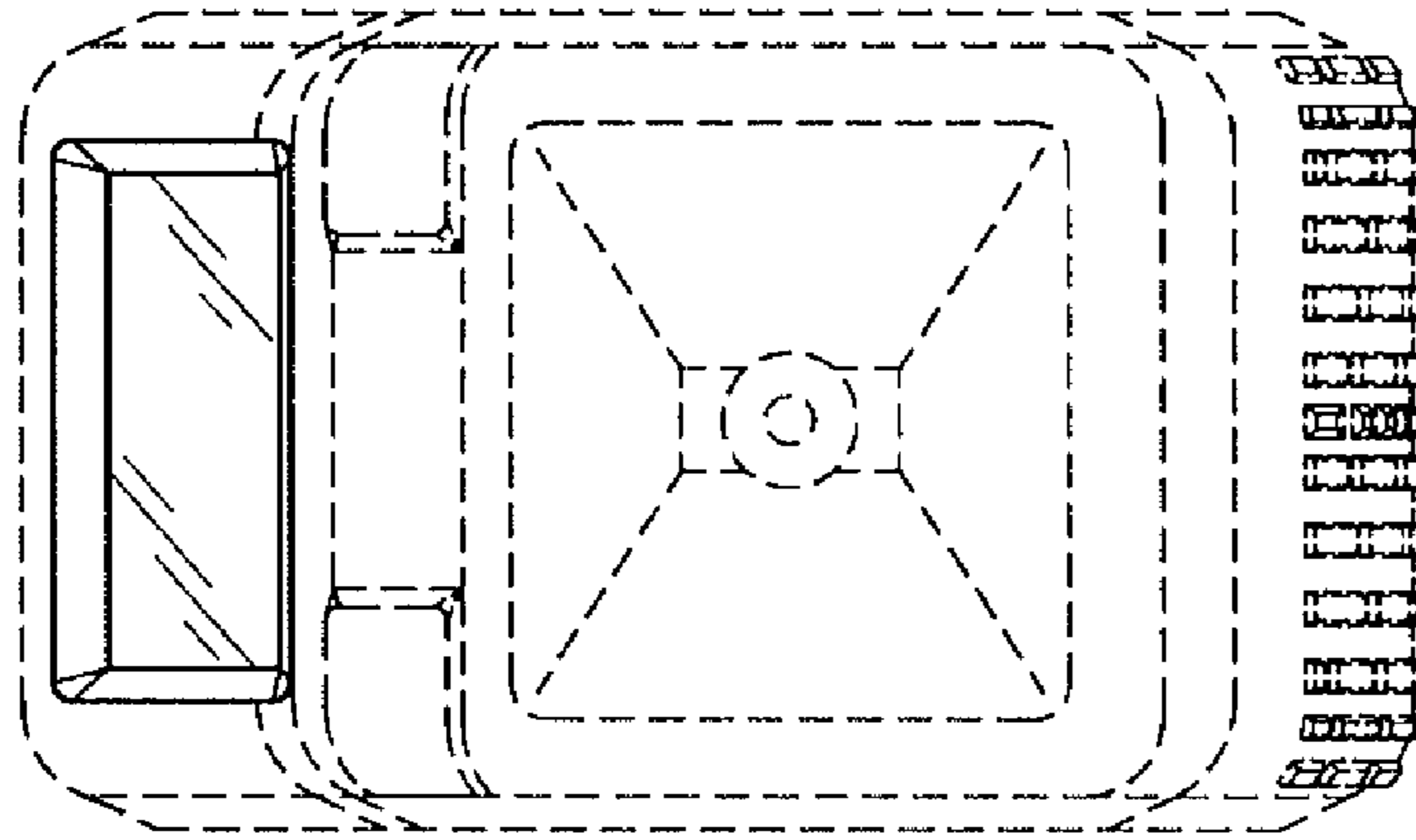


FIG. 15

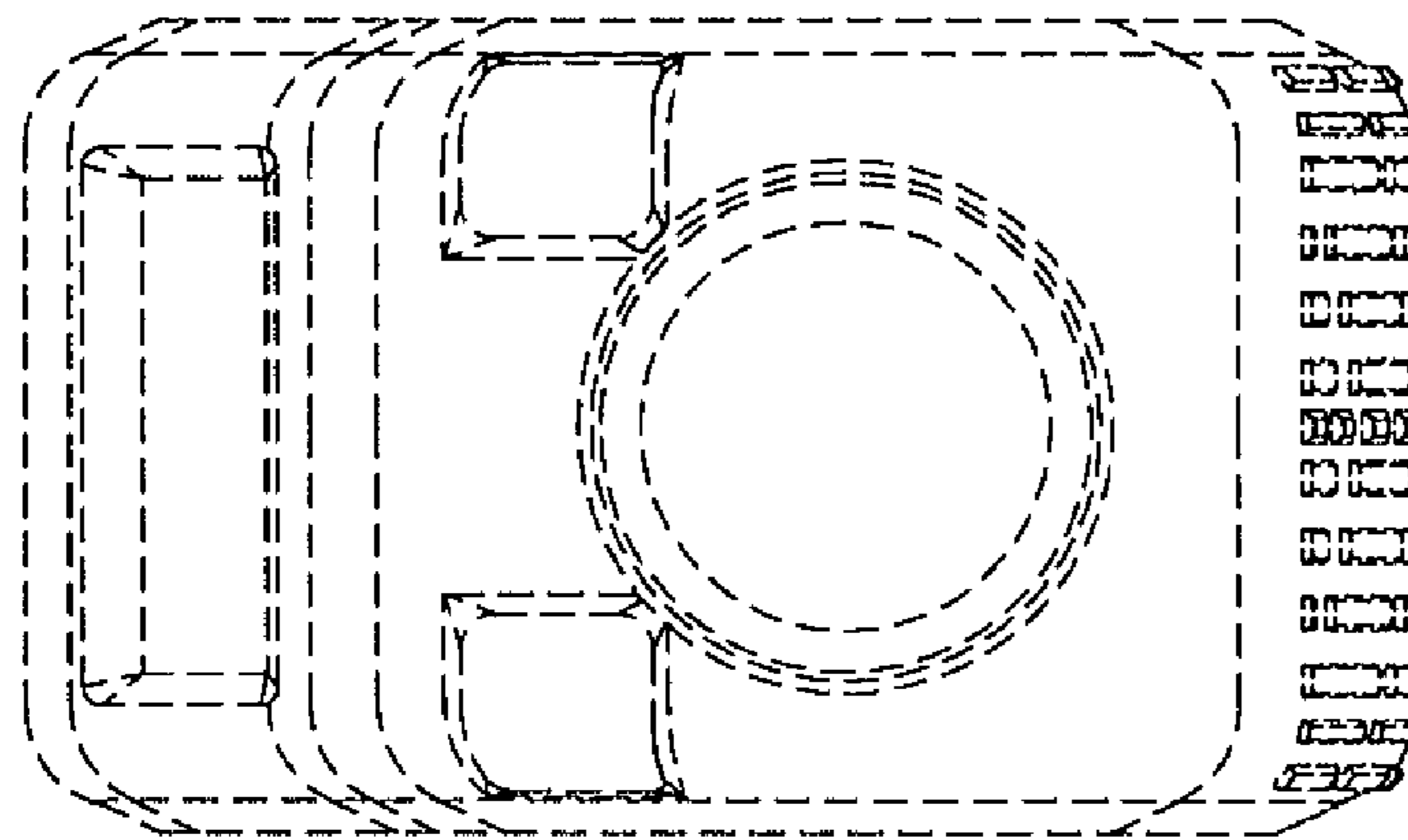


FIG. 14

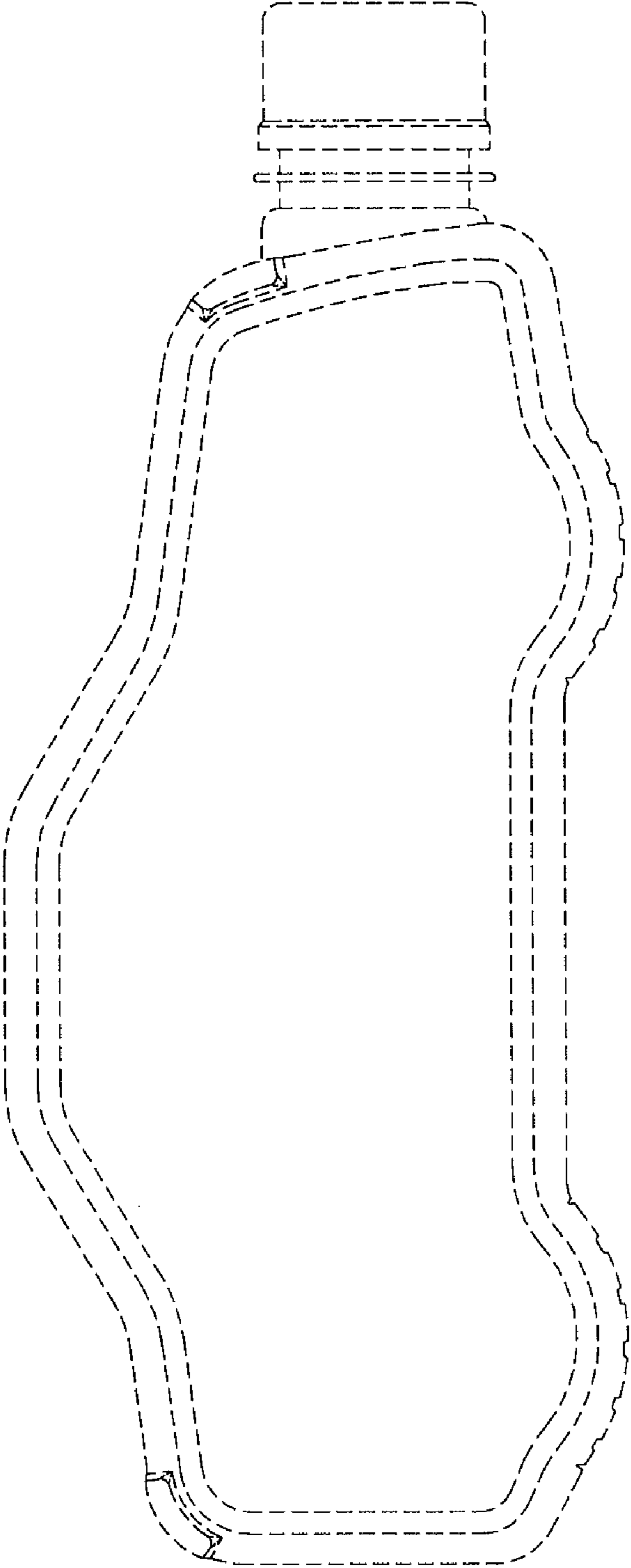


FIG. 16

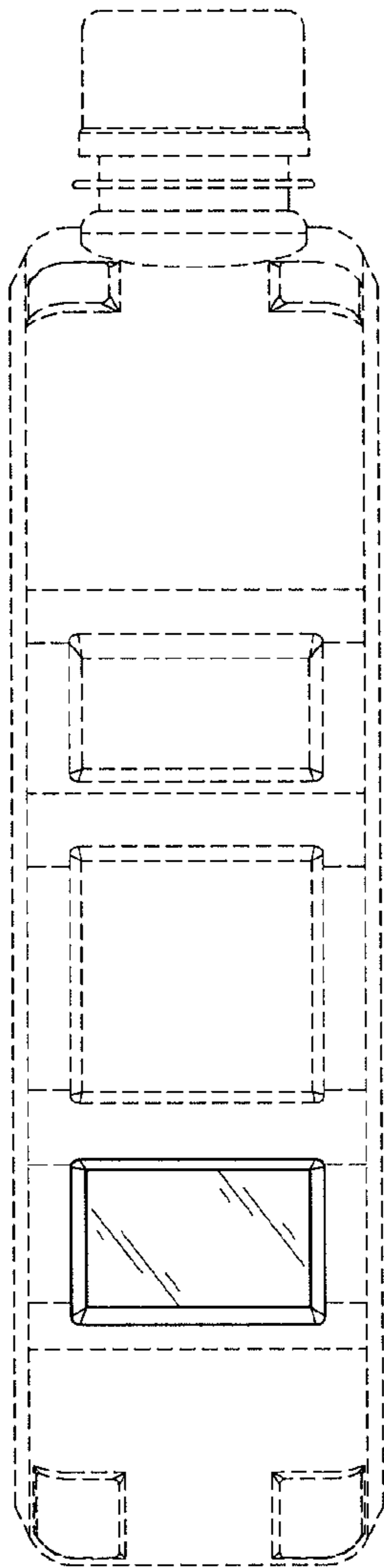


FIG. 17

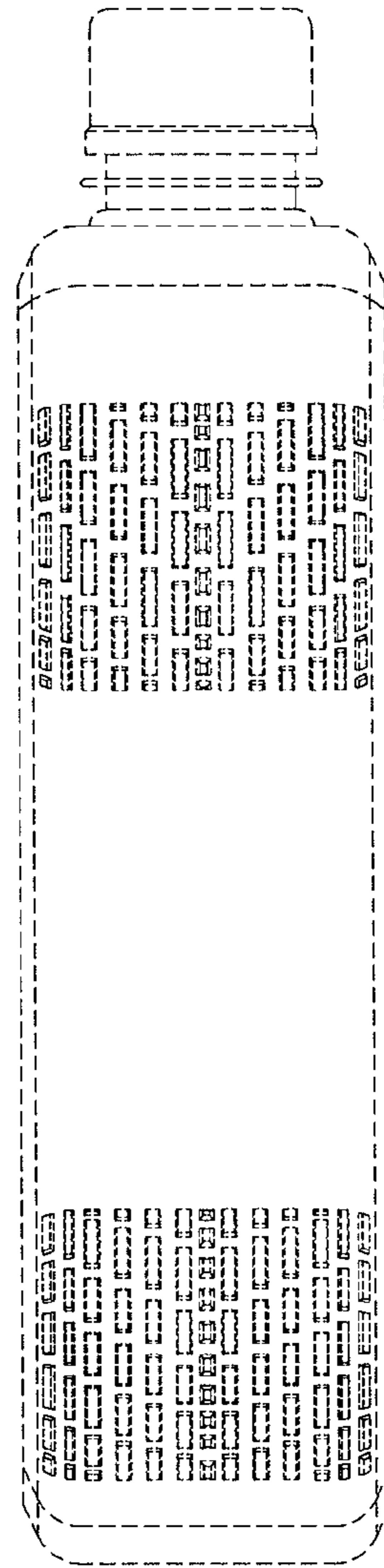


FIG. 18

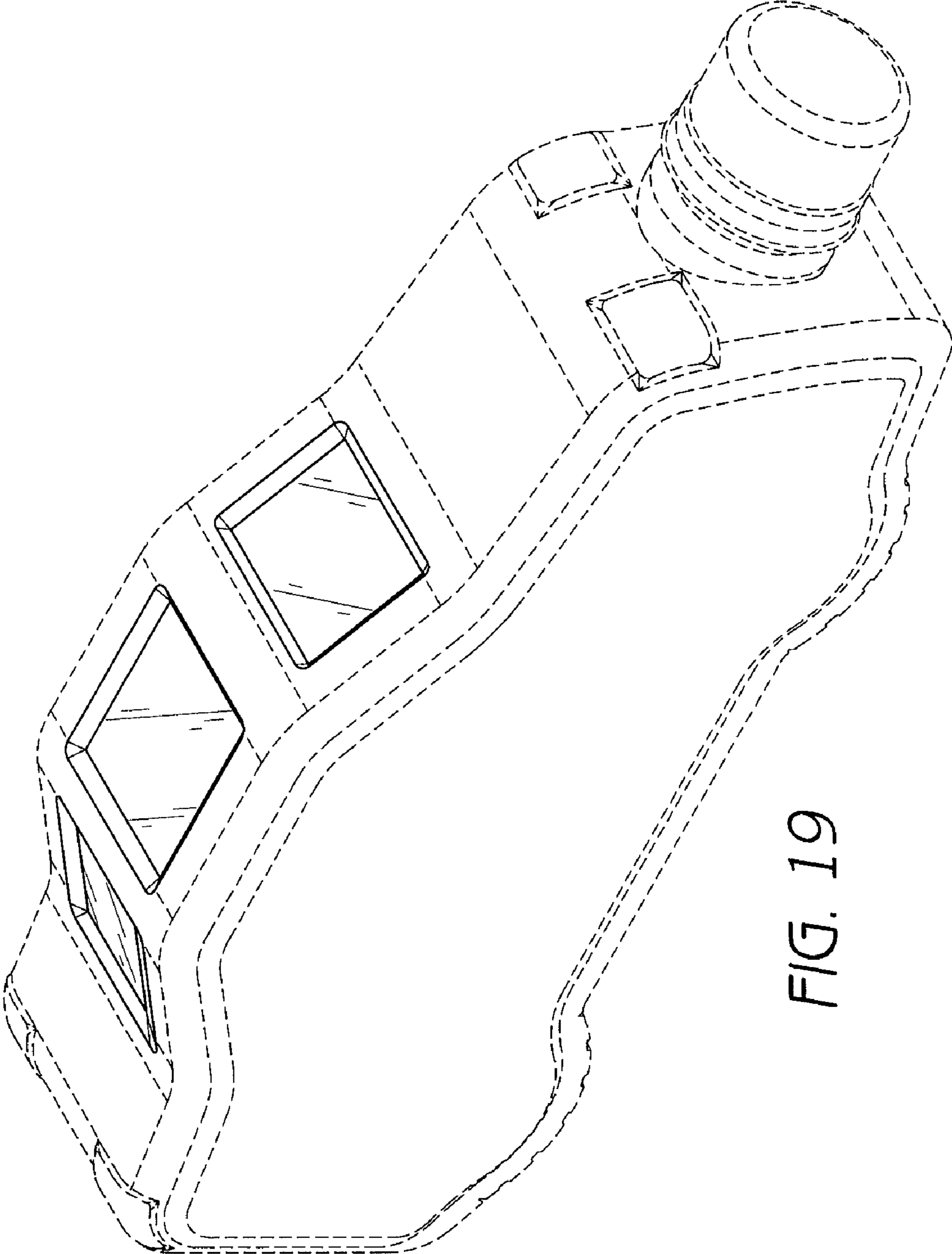


FIG. 19

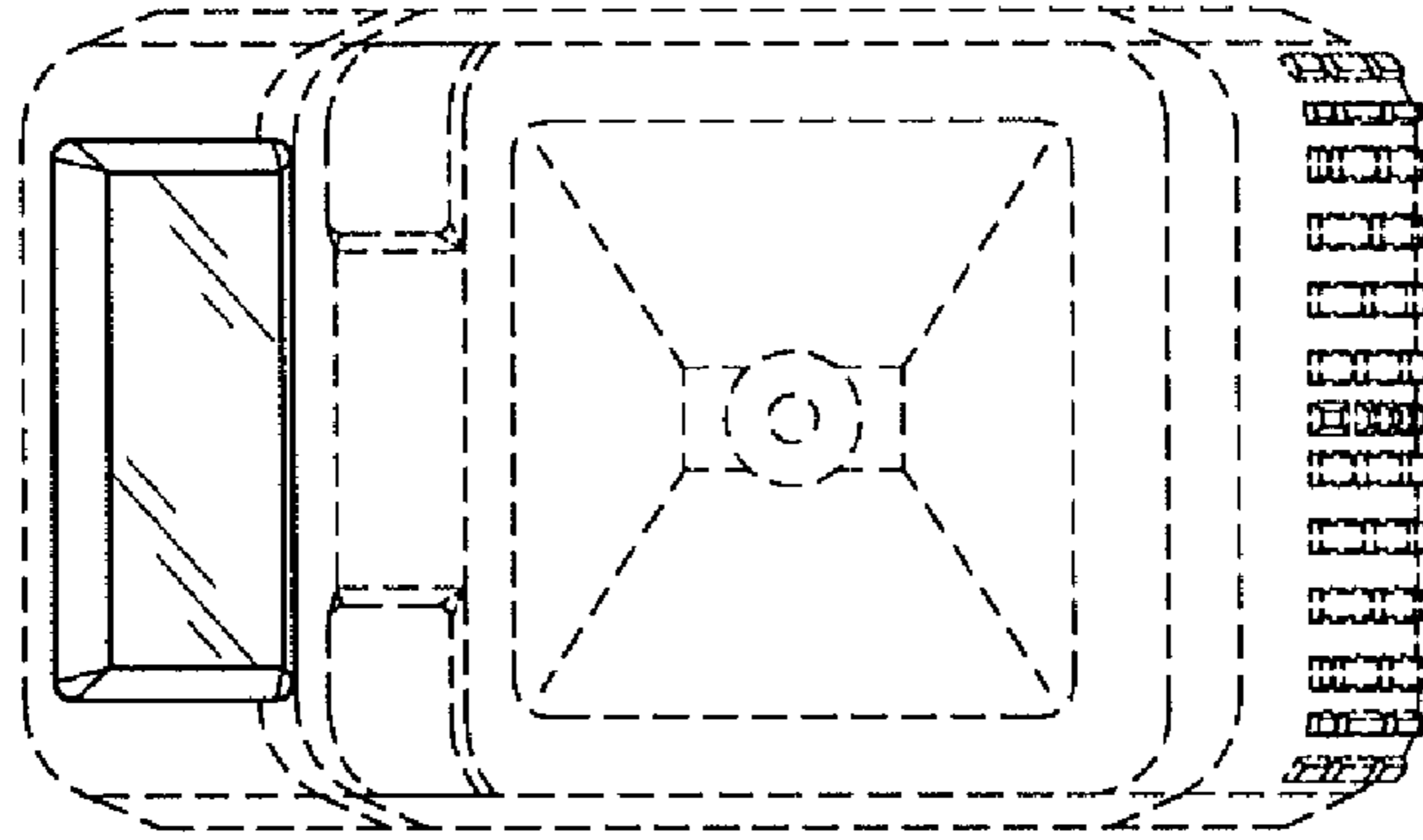


FIG. 21

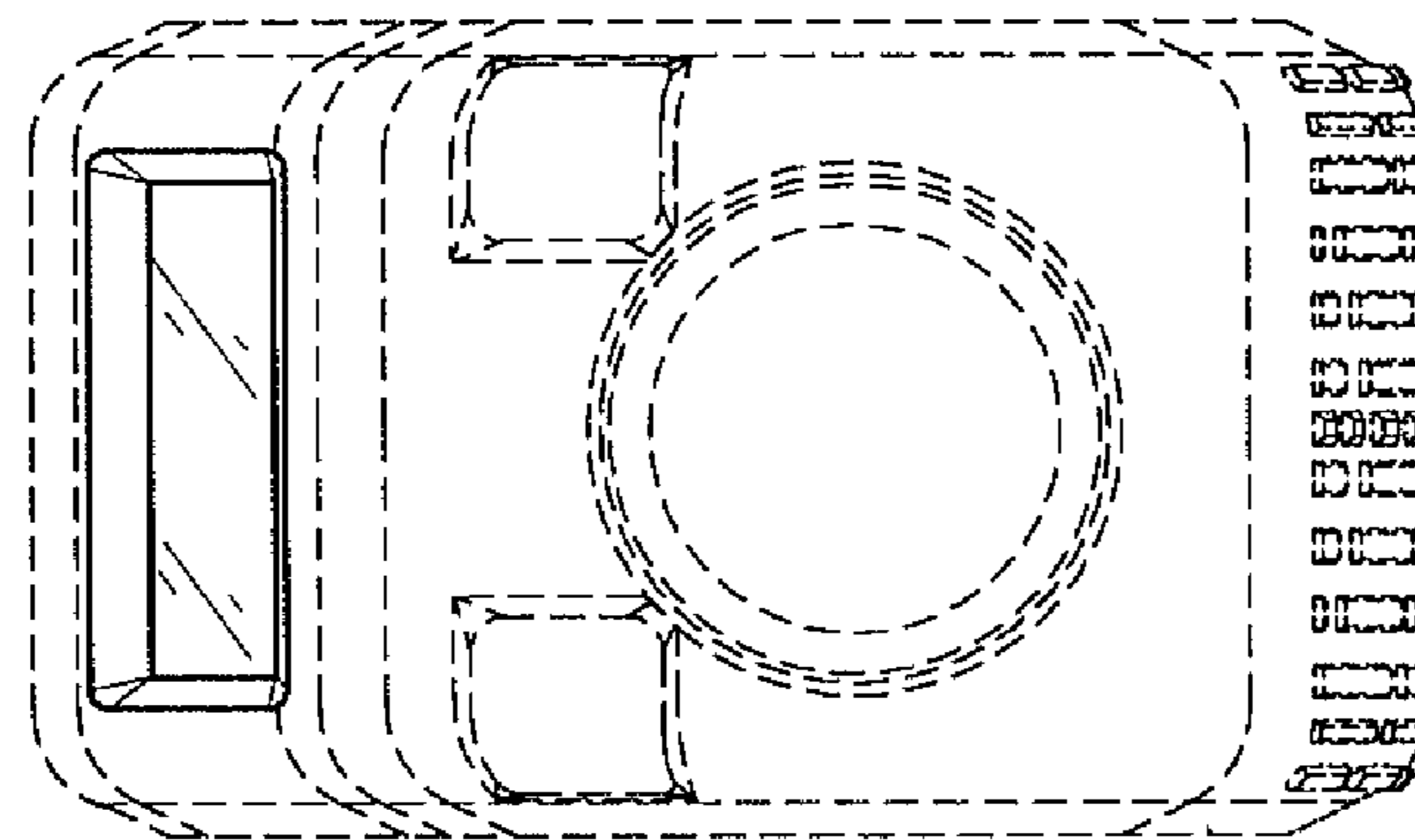


FIG. 20

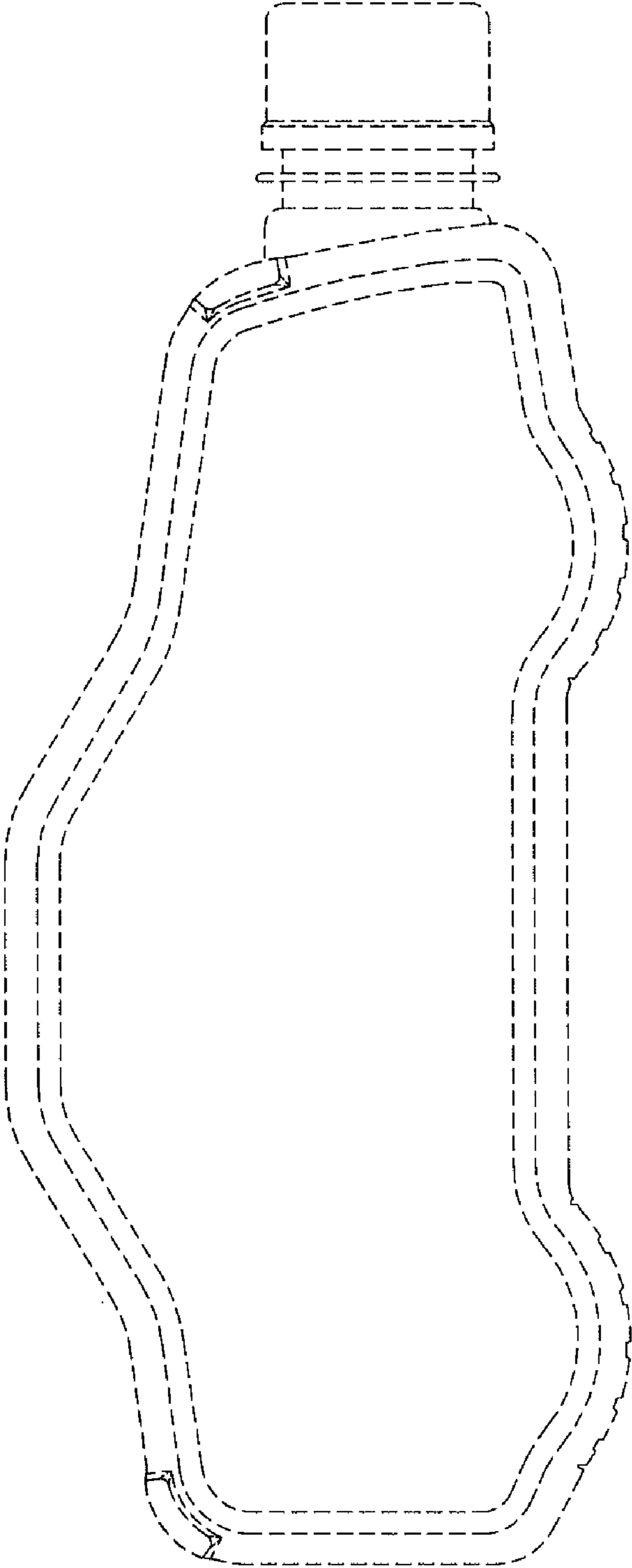


FIG. 22

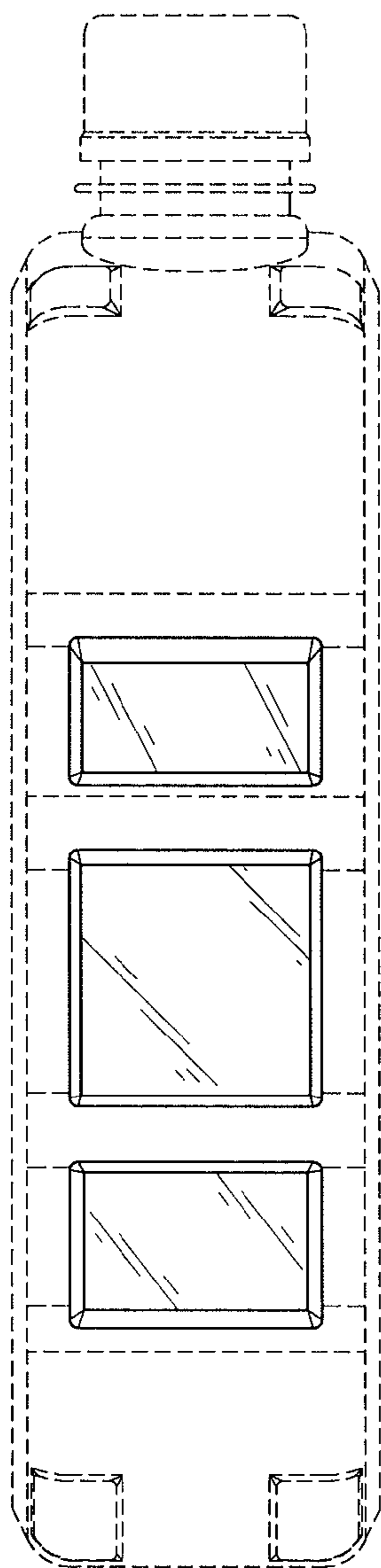


FIG. 23

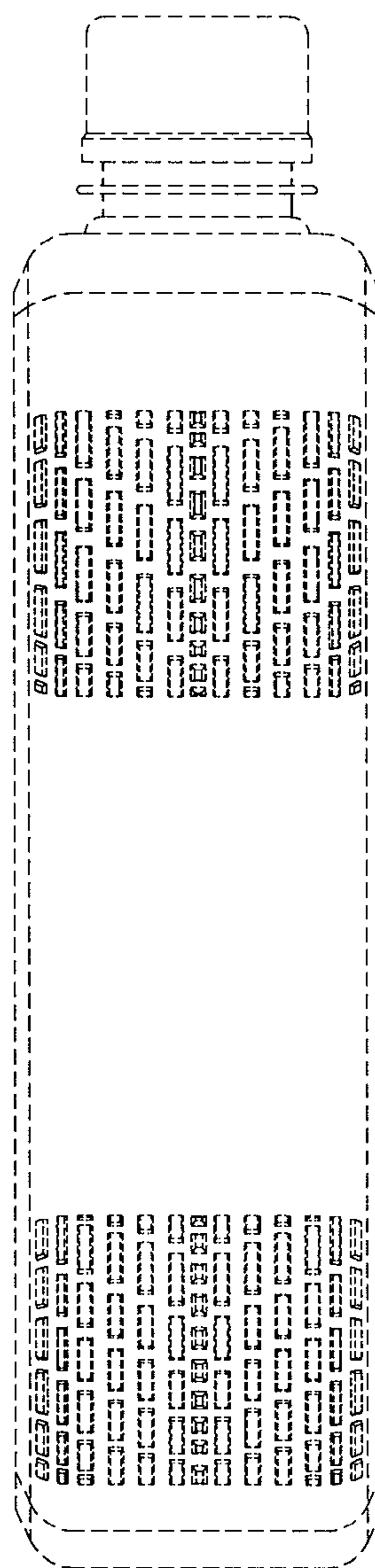


FIG. 24