



US00D609569S

(12) **United States Design Patent**
Murdoch et al.

(10) **Patent No.:** **US D609,569 S**

(45) **Date of Patent:** **** Feb. 9, 2010**

(54) **EDGE PROTECTION STRIP**

(75) Inventors: **Thomas Murdoch**, London (GB); **Greg Gonzalez**, London (GB)

(73) Assignee: **Armored (UK) Limited** (GB)

(**) Term: **14 Years**

(21) Appl. No.: **29/289,041**

(22) Filed: **Jul. 2, 2007**

(30) **Foreign Application Priority Data**

Jan. 18, 2007 (GB) 4 001 184

(51) **LOC (9) Cl.** **09-07**

(52) **U.S. Cl.** **D9/456**

(58) **Field of Classification Search** 248/345.1;
206/586; D9/456

See application file for complete search history.

(56) **References Cited**

U.S. PATENT DOCUMENTS

D380,680 S * 7/1997 Sun D9/456

6,012,587 A * 1/2000 McCullough 206/586

6,276,526 B1 * 8/2001 Miller et al. 206/321
6,378,831 B1 * 4/2002 Copeland, Jr. 248/345.1
2006/0186017 A1 * 8/2006 Markert et al. 206/568

* cited by examiner

Primary Examiner—Doris Clark

(74) *Attorney, Agent, or Firm*—Ira S. Dorman

(57) **CLAIM**

The ornamental design for an edge protection strip, as shown.

DESCRIPTION

FIG. 1 is a perspective view of the edge protection strip embodying the present invention;

FIG. 2 is an end elevational view of the edge protection strip;

FIG. 3 is an opposite end elevational view of the edge protection strip;

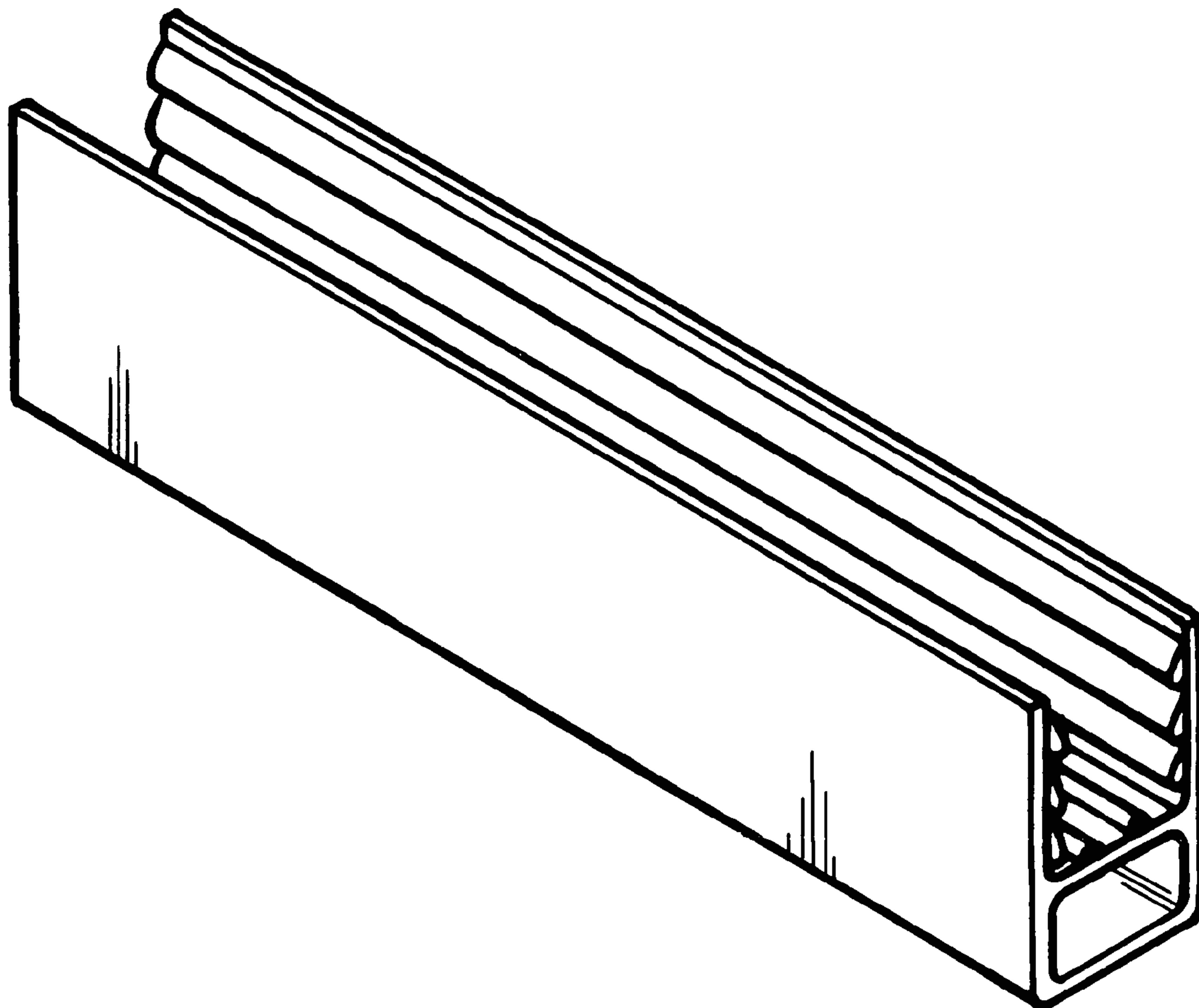
FIG. 4 is a side elevational view of the edge protection strip;

FIG. 5 is an opposite side elevational view of the edge protection strip;

FIG. 6 a bottom plan view of the edge protection strip; and,

FIG. 7 is a top plan view of the edge protection strip.

1 Claim, 2 Drawing Sheets



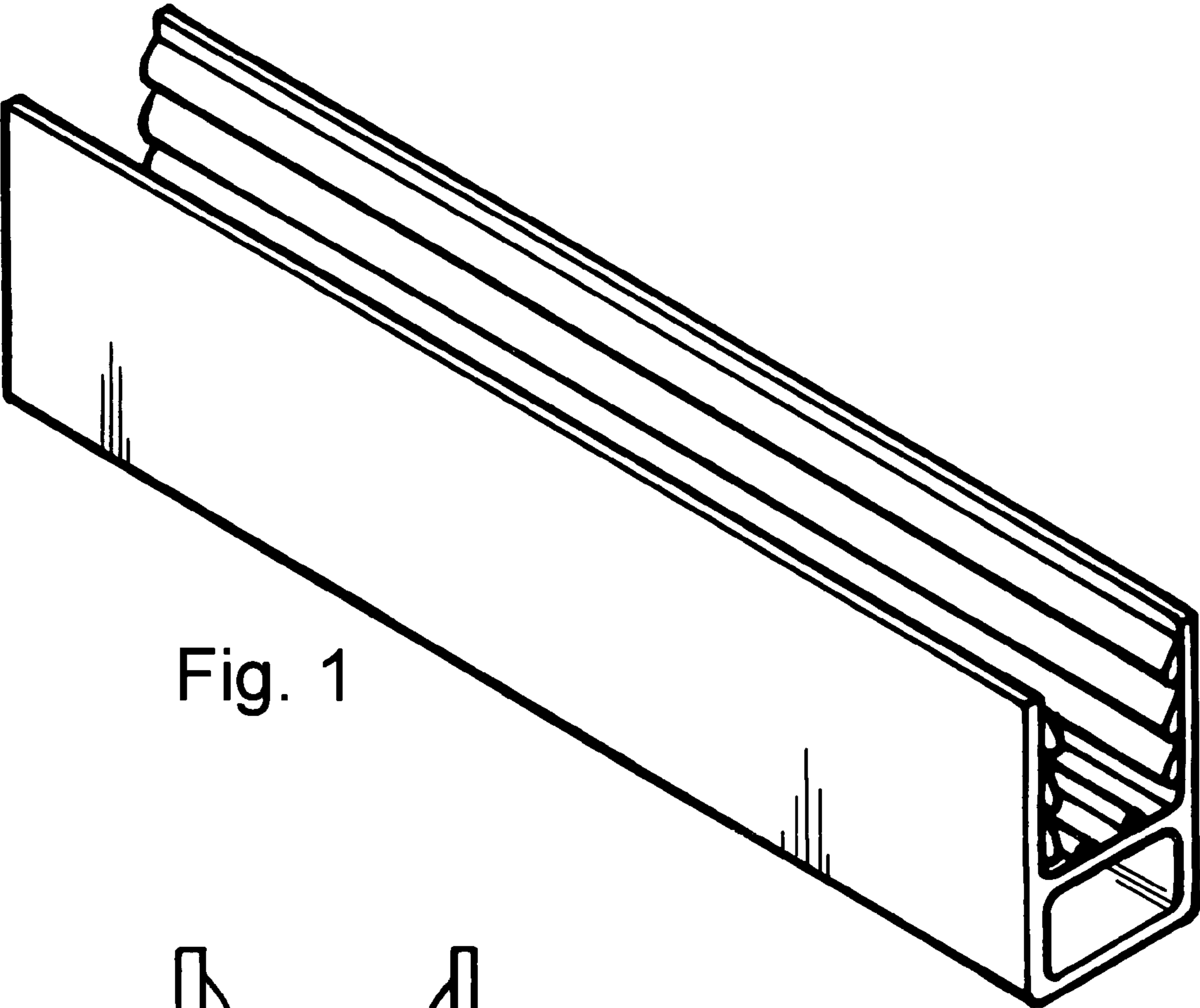


Fig. 1

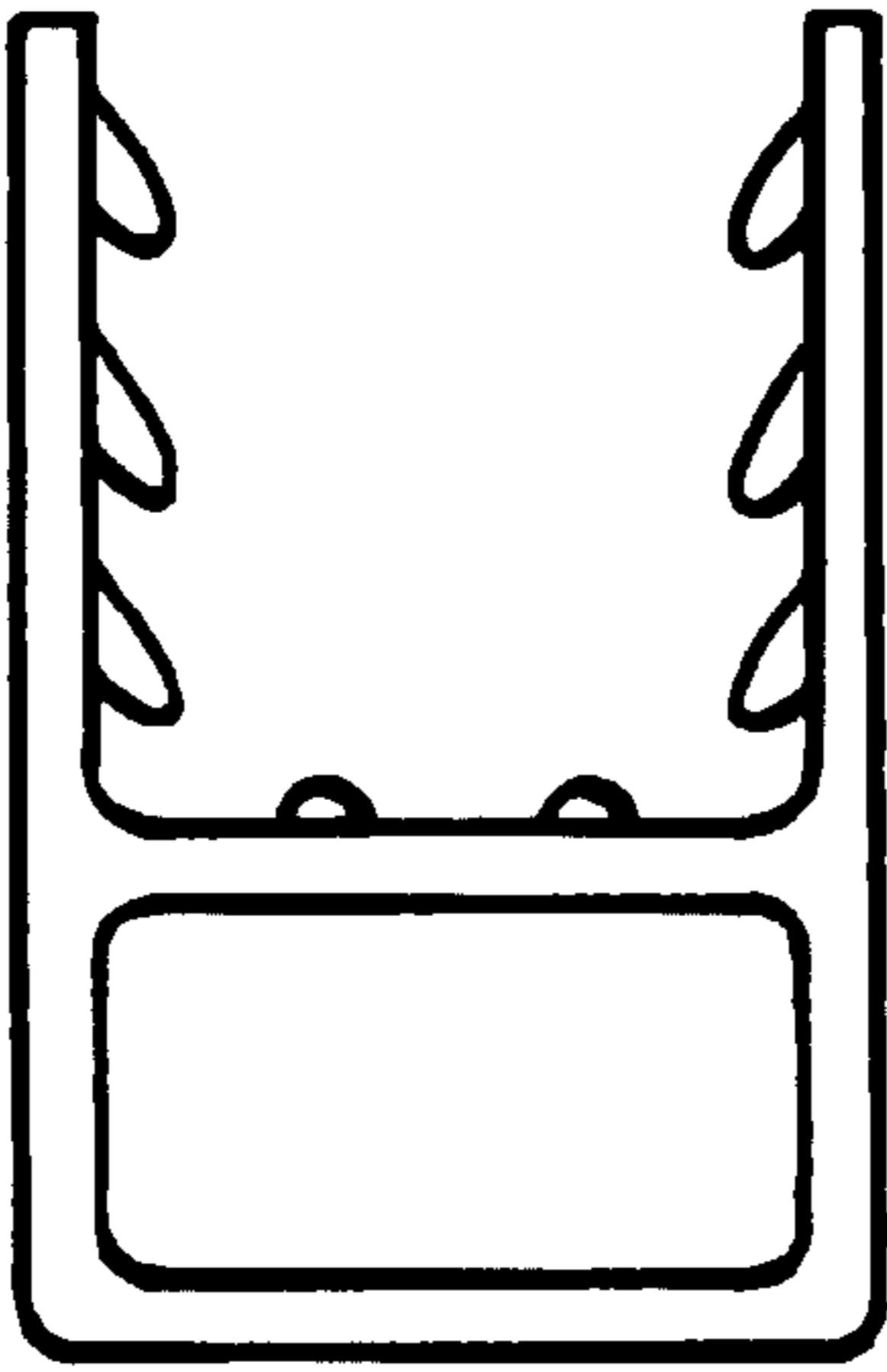


Fig. 2

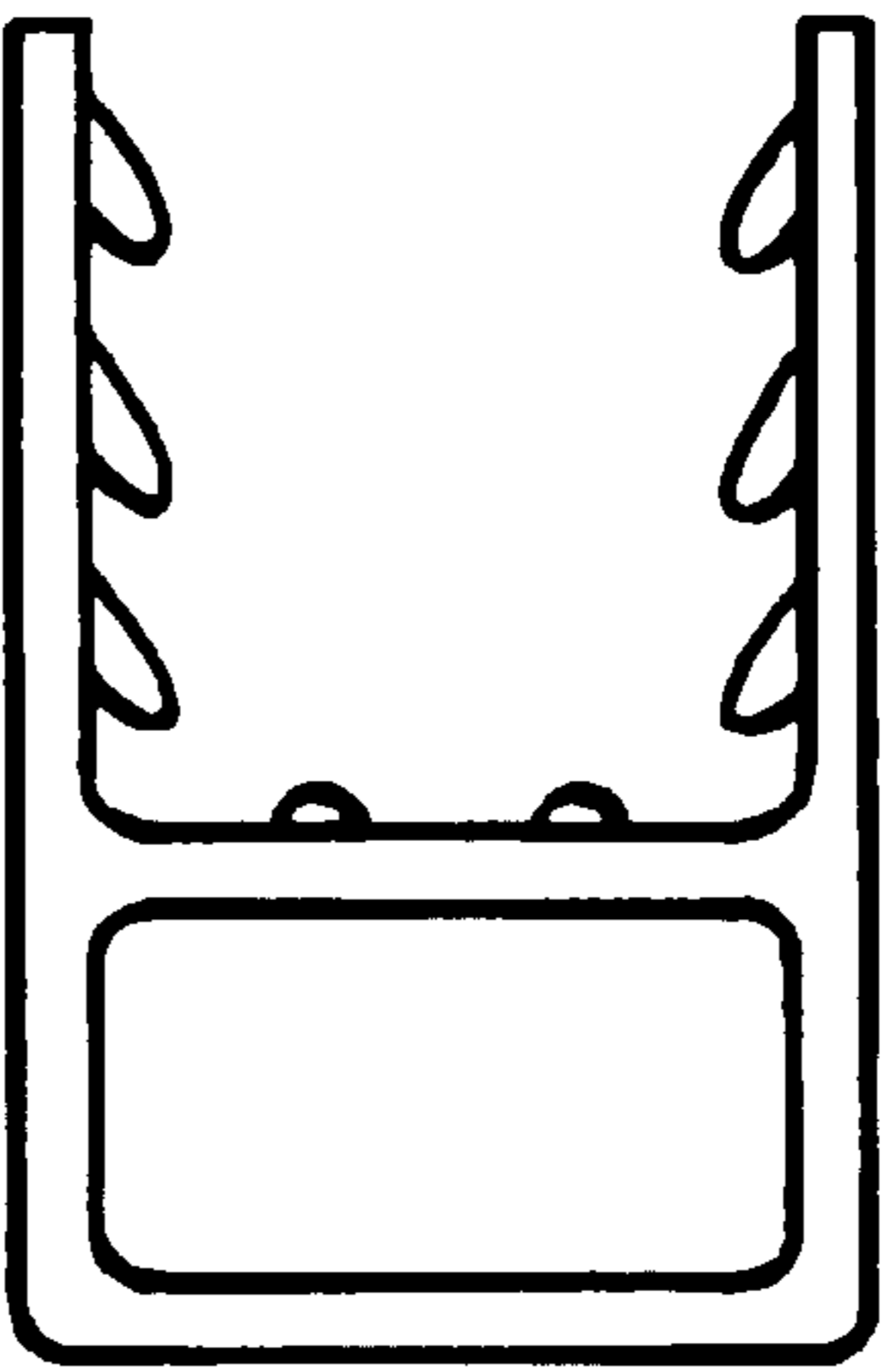


Fig. 3

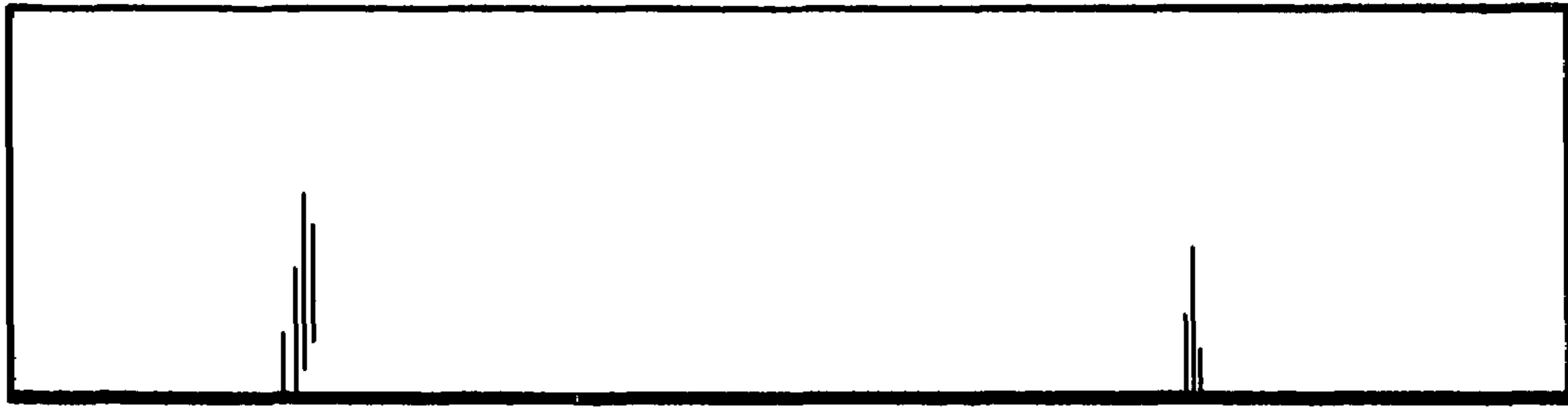


Fig. 4

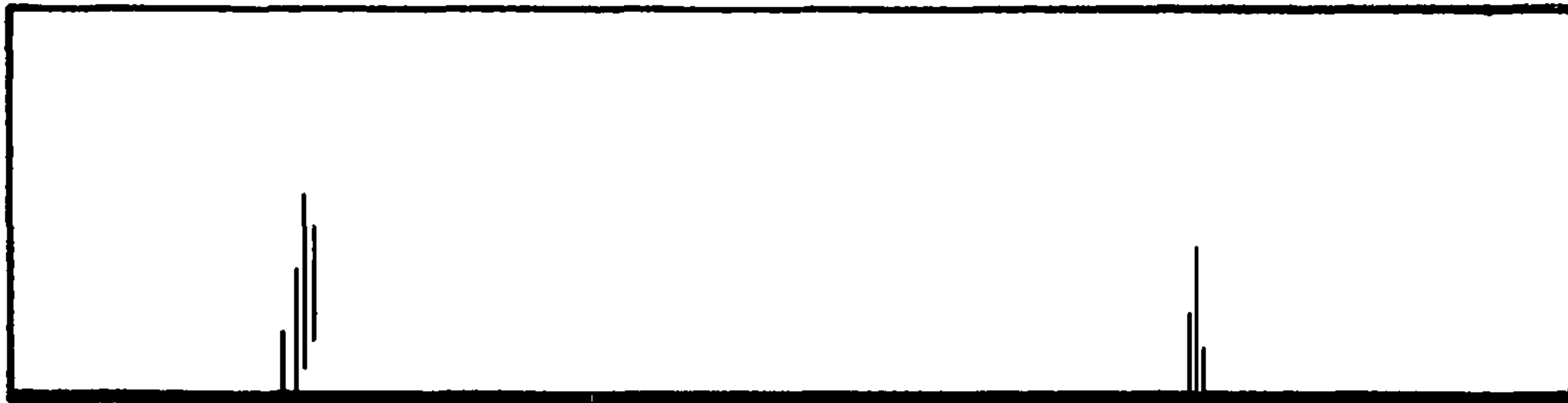


Fig. 5

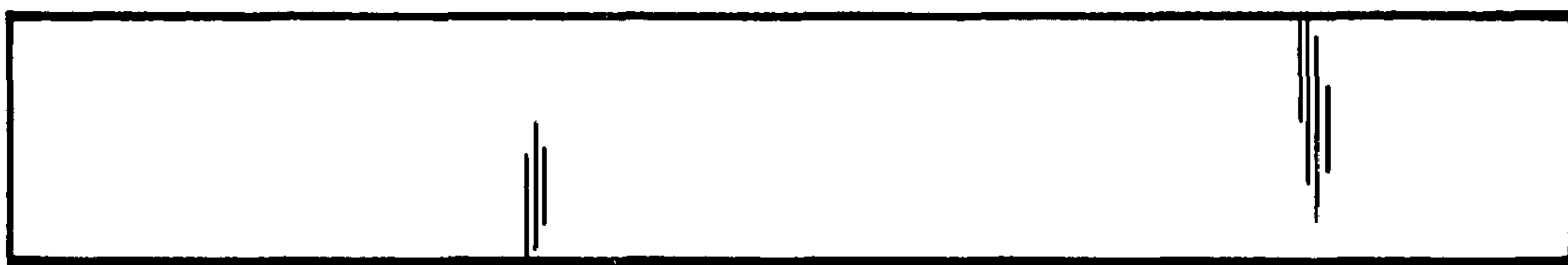


Fig. 6

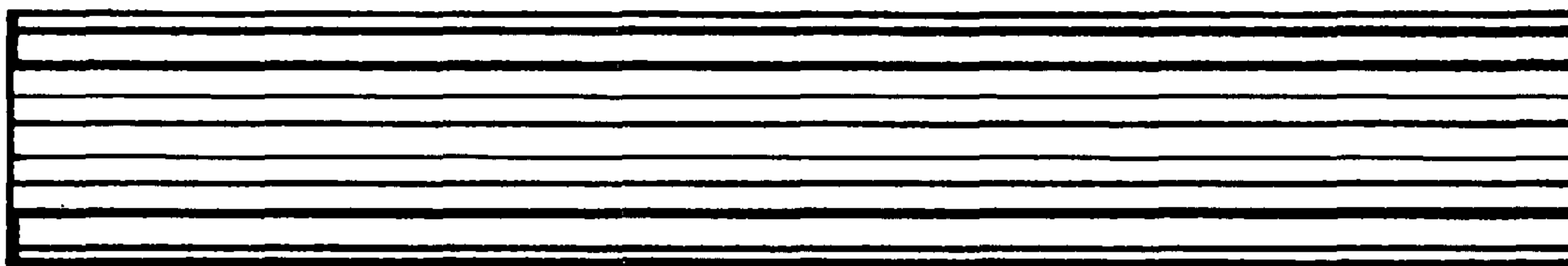


Fig. 7