

US00D609565S

(12) **United States Design Patent**
Floyd et al.

(10) **Patent No.:** **US D609,565 S**

(45) **Date of Patent:** **** Feb. 9, 2010**

(54) **CAP**

(75) Inventors: **Brian Lee Floyd**, Cincinnati, OH (US);
Ian Andrew Carnduff, New York, NY
(US); **Ian Josiah Swanson**, New York,
NY (US); **Paul Frank Diehl**, Brooklyn,
NY (US)

(73) Assignee: **The Procter & Gamble Company**,
Cincinnati, OH (US)

(**) Term: **14 Years**

(21) Appl. No.: **29/333,473**

(22) Filed: **Mar. 10, 2009**

Related U.S. Application Data

(60) Continuation of application No. 29/308,331, filed on
Jun. 11, 2008, now Pat. No. Des. 590,268, and a divi-
sion of application No. 29/330,485, filed on Jan. 8,
2009, now Pat. No. Des. 592,054.

(51) **LOC (9) Cl.** **09-07**

(52) **U.S. Cl.** **D9/435; D9/454**

(58) **Field of Classification Search** D9/661,
D9/662, 663, 435, 439, 451, 453, 454
See application file for complete search history.

(56) **References Cited**

U.S. PATENT DOCUMENTS

D96,926 S *	9/1935	Lindemann	D9/451
D198,234 S *	5/1964	Lawton	D9/449
D254,482 S *	3/1980	Bell	D9/435
D322,935 S *	1/1992	Schmidt	D9/435 X
D325,783 S *	4/1992	Anderson	D9/435 X

D326,816 S *	6/1992	Abrams	D9/435
D337,693 S *	7/1993	Segati	D9/435 X
D368,032 S *	3/1996	Couto	D9/435
D376,317 S *	12/1996	Weiss	D9/435
D377,900 S *	2/1997	Ford	D9/435
D406,470 S *	3/1999	Lin	D9/454 X
D447,602 S *	9/2001	Dumler et al.	D9/454 X
D471,808 S *	3/2003	de Castro Couto	D9/435
D512,911 S *	12/2005	Floyd et al.	D9/435
D517,407 S *	3/2006	Floyd et al.	D9/435
D534,427 S *	1/2007	Crawford	D9/453
D535,879 S *	1/2007	Crawford et al.	D9/452 X
D548,076 S *	8/2007	Matsumura et al.	D9/435

* cited by examiner

Primary Examiner—Carol Rademaker

(74) *Attorney, Agent, or Firm*—David V. Upite; Kim William
Zerby

(57) **CLAIM**

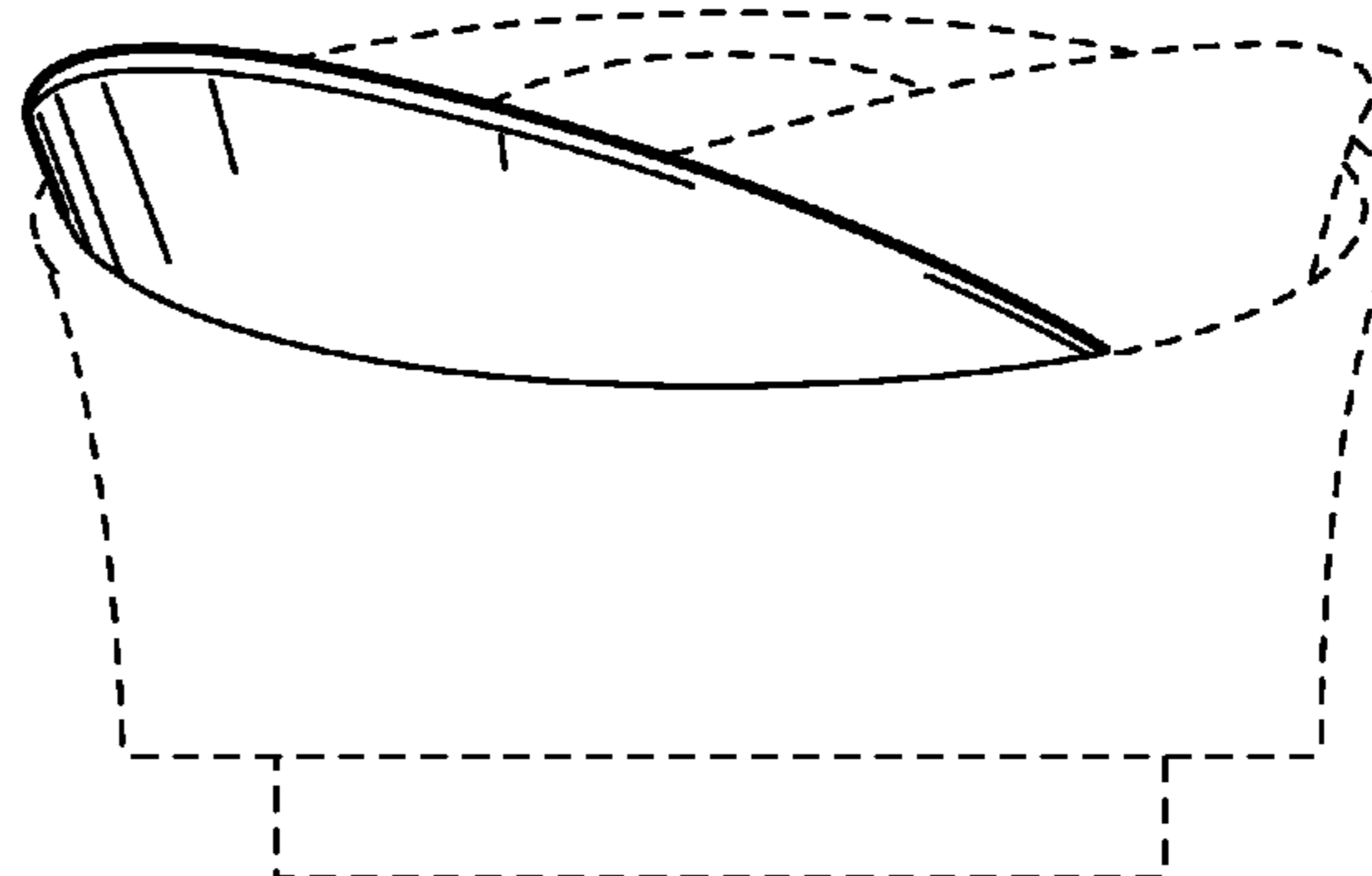
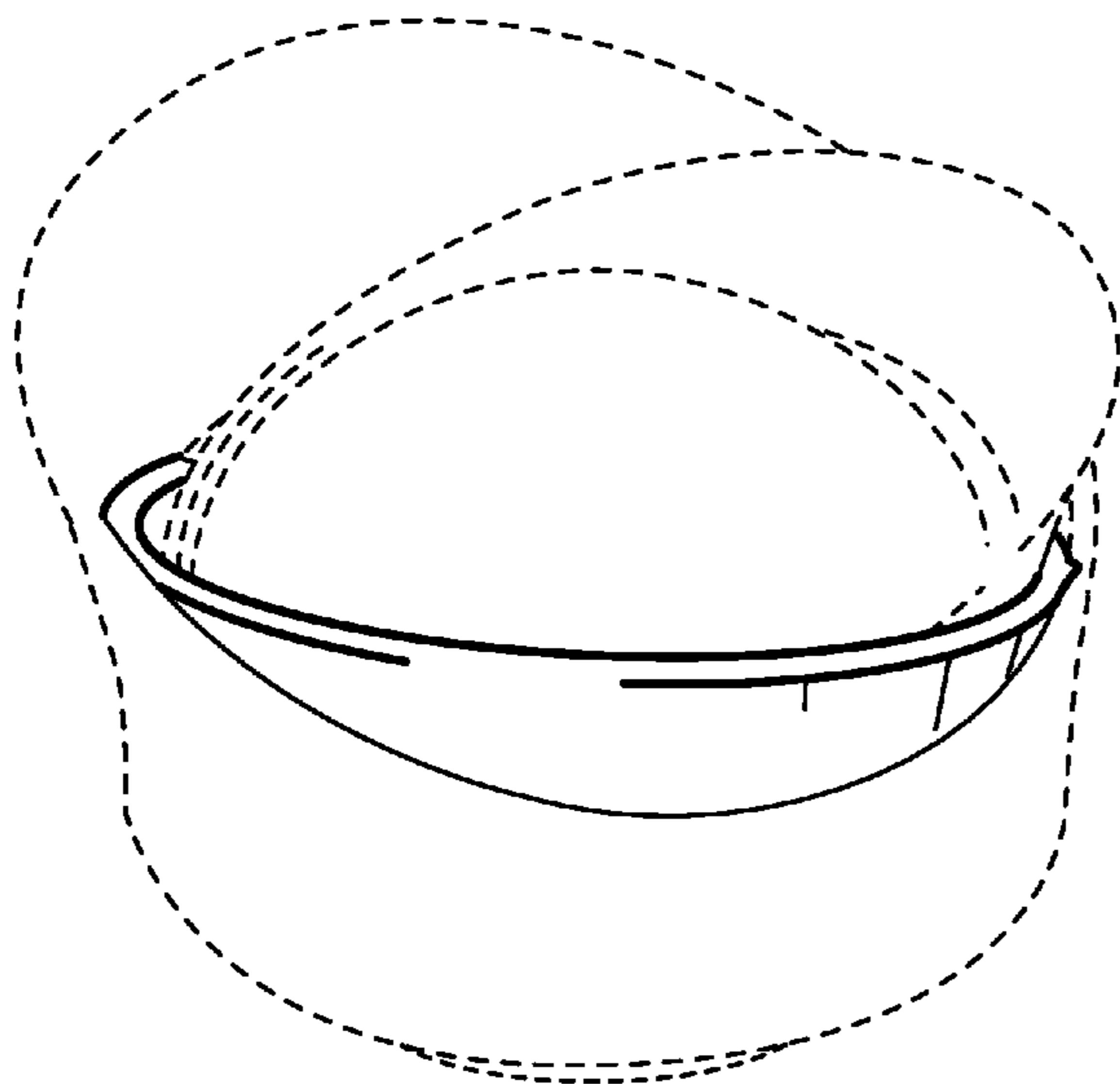
The ornamental design for a cap, as shown and described.

DESCRIPTION

FIG. 1 is a perspective view of a cap;
FIG. 2 is a front elevational view thereof;
FIG. 3 is a right side elevational view thereof;
FIG. 4 is a left side elevational view thereof;
FIG. 5 is a back elevational view thereof;
FIG. 6 is a top plan view thereof; and,
FIG. 7 is a bottom plan view thereof.

The broken lines shown in the drawing views are included for
the purpose of showing environmental structure that forms no
part of the claimed design.

1 Claim, 3 Drawing Sheets



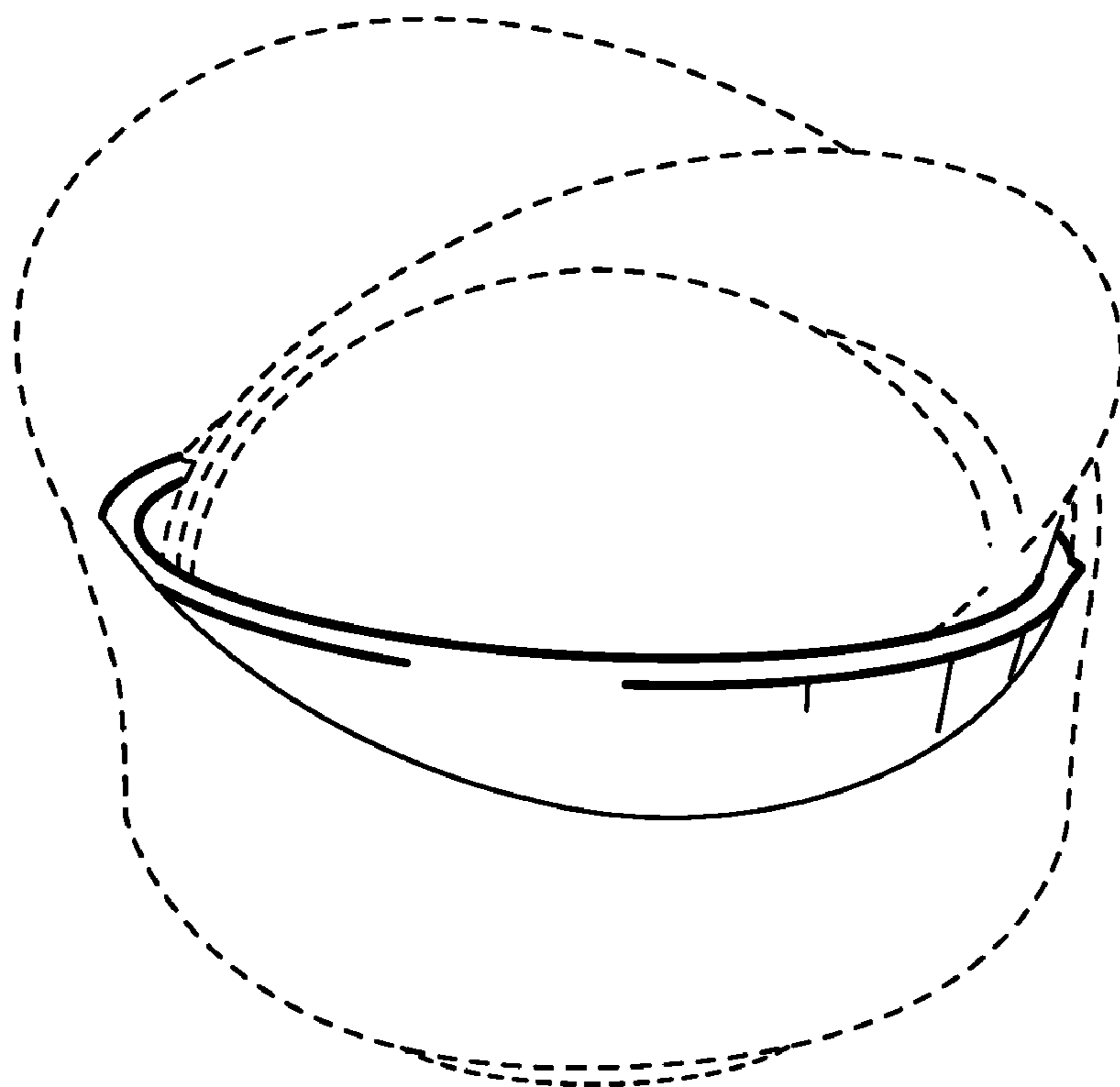


Fig. 1

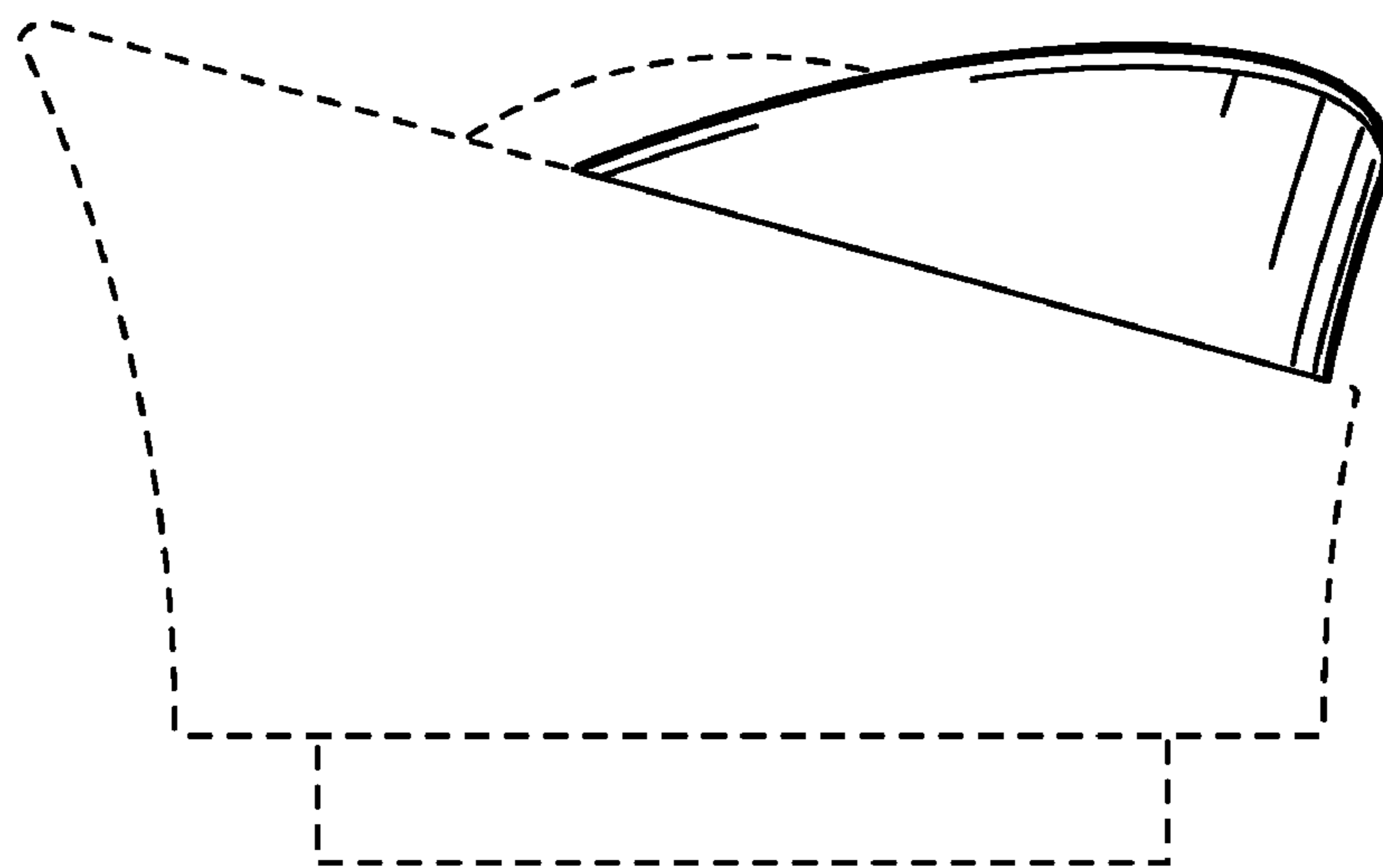


Fig. 2

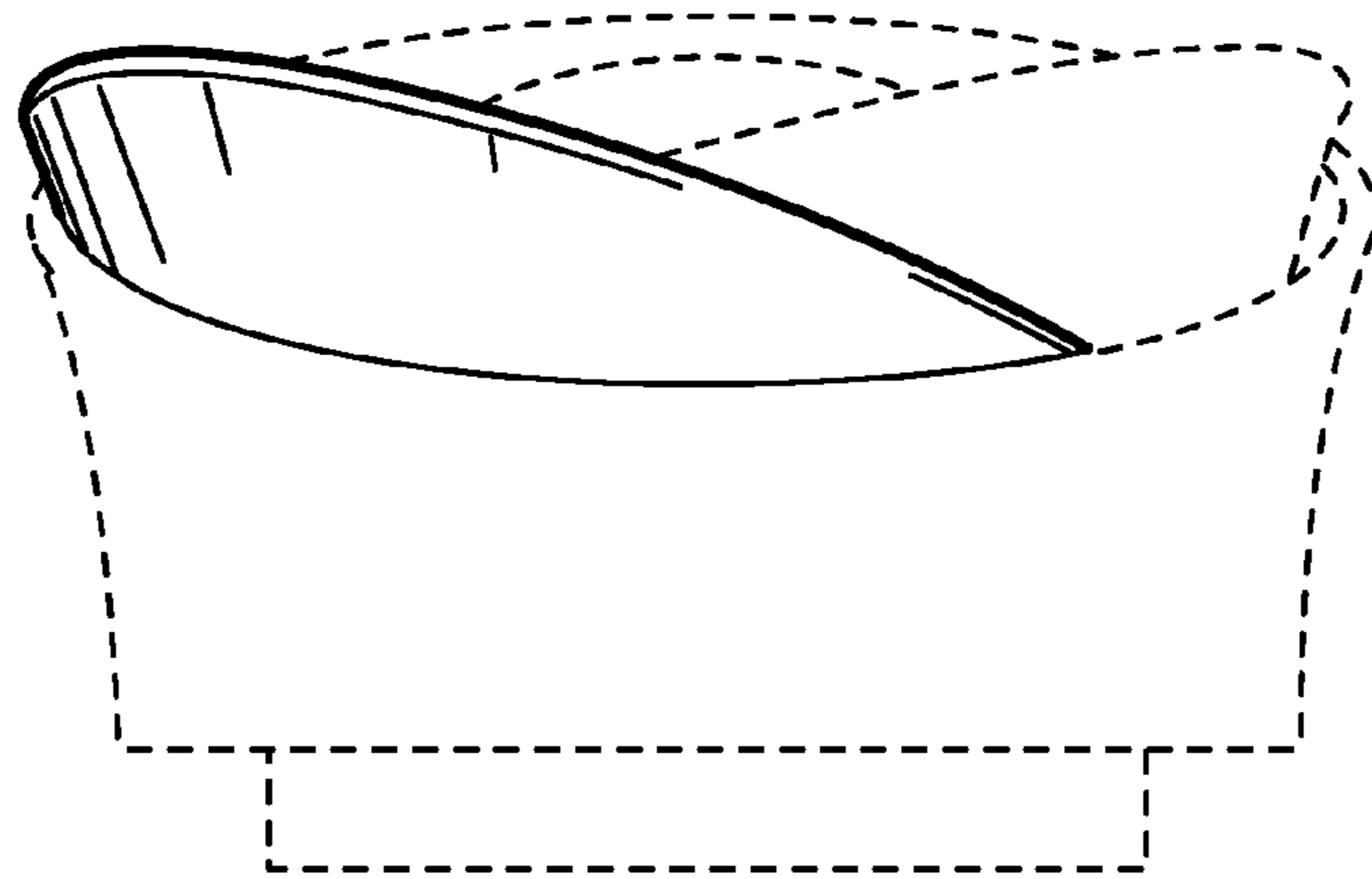


Fig. 3

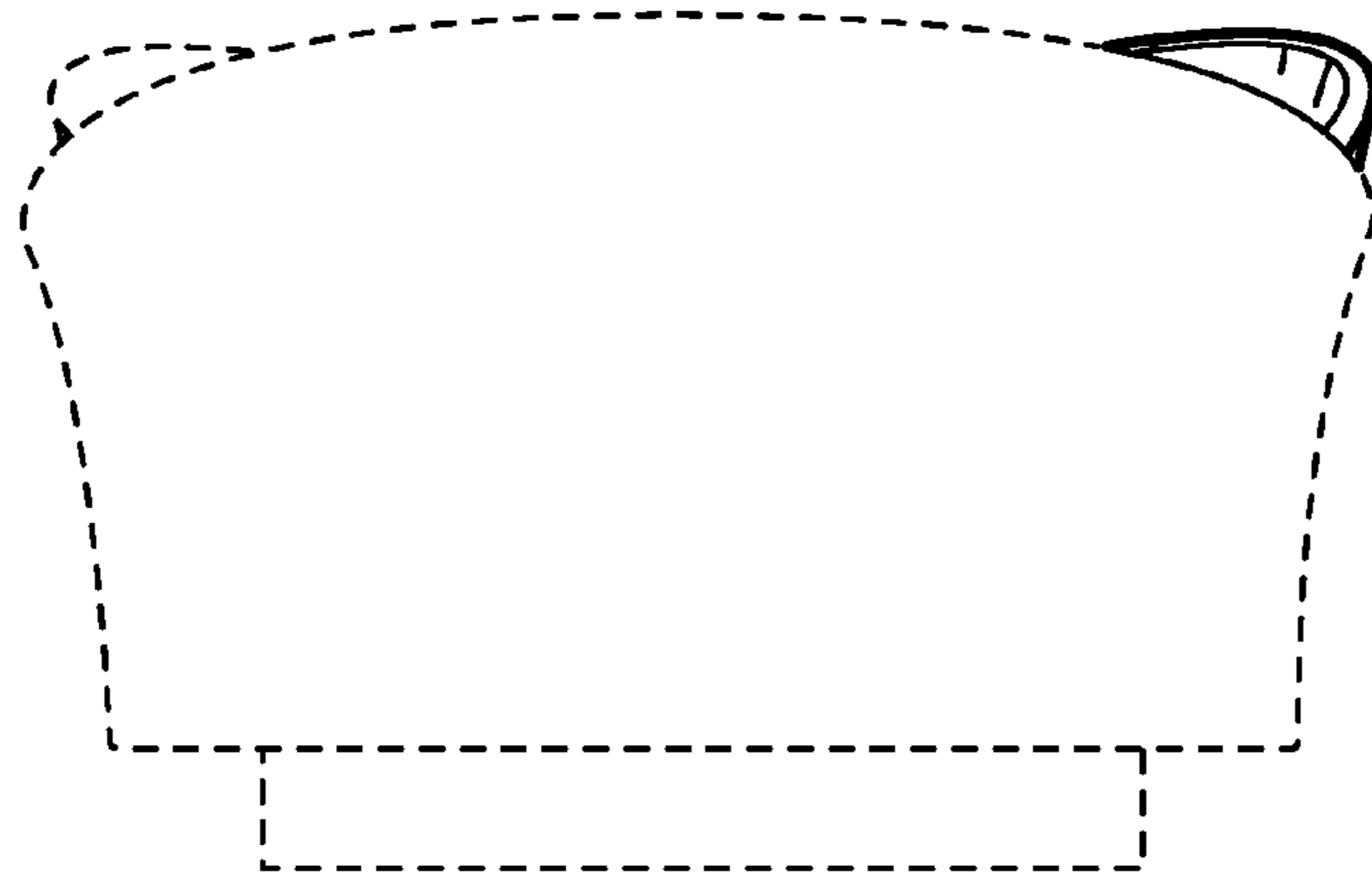


Fig. 4

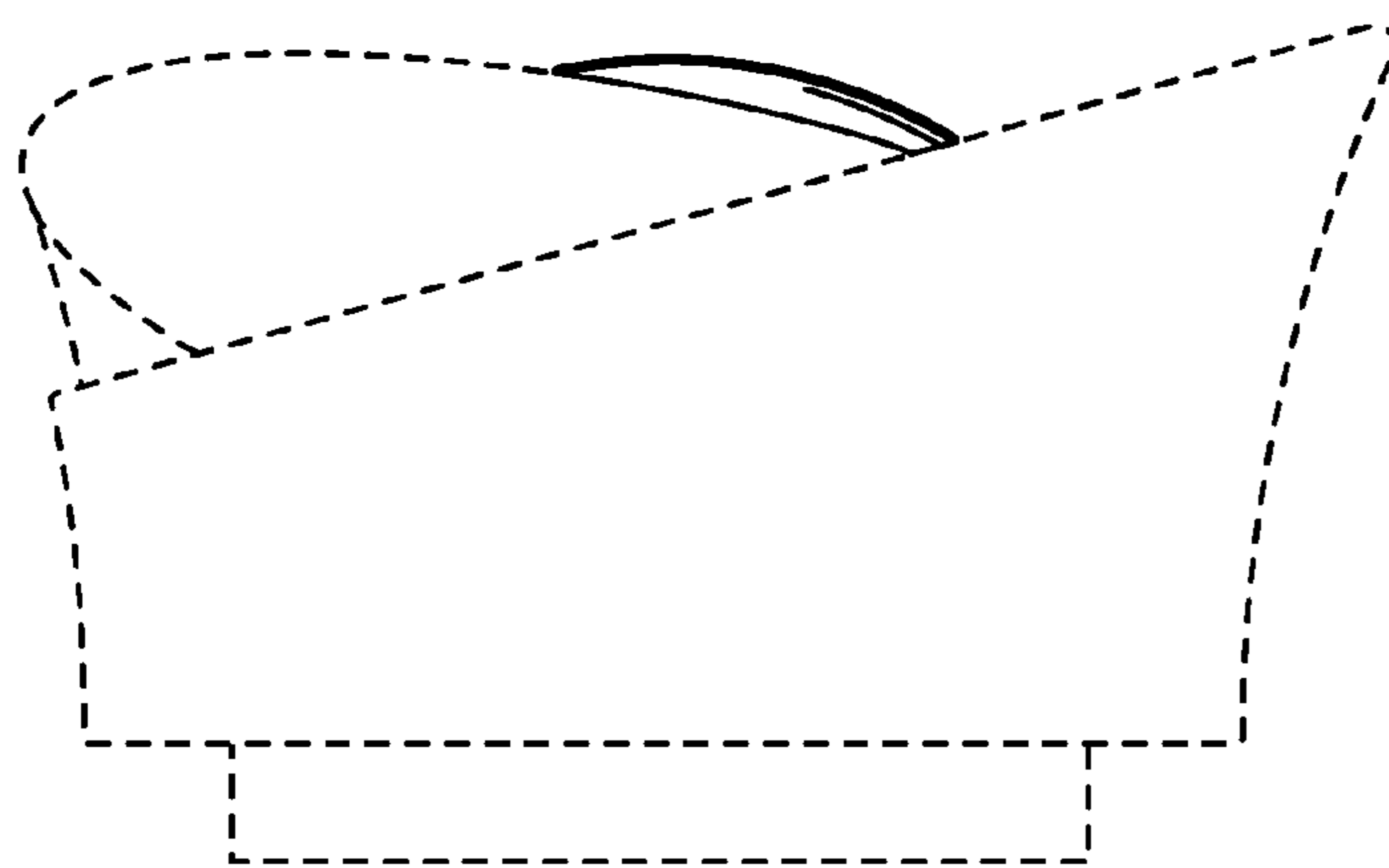


Fig. 5

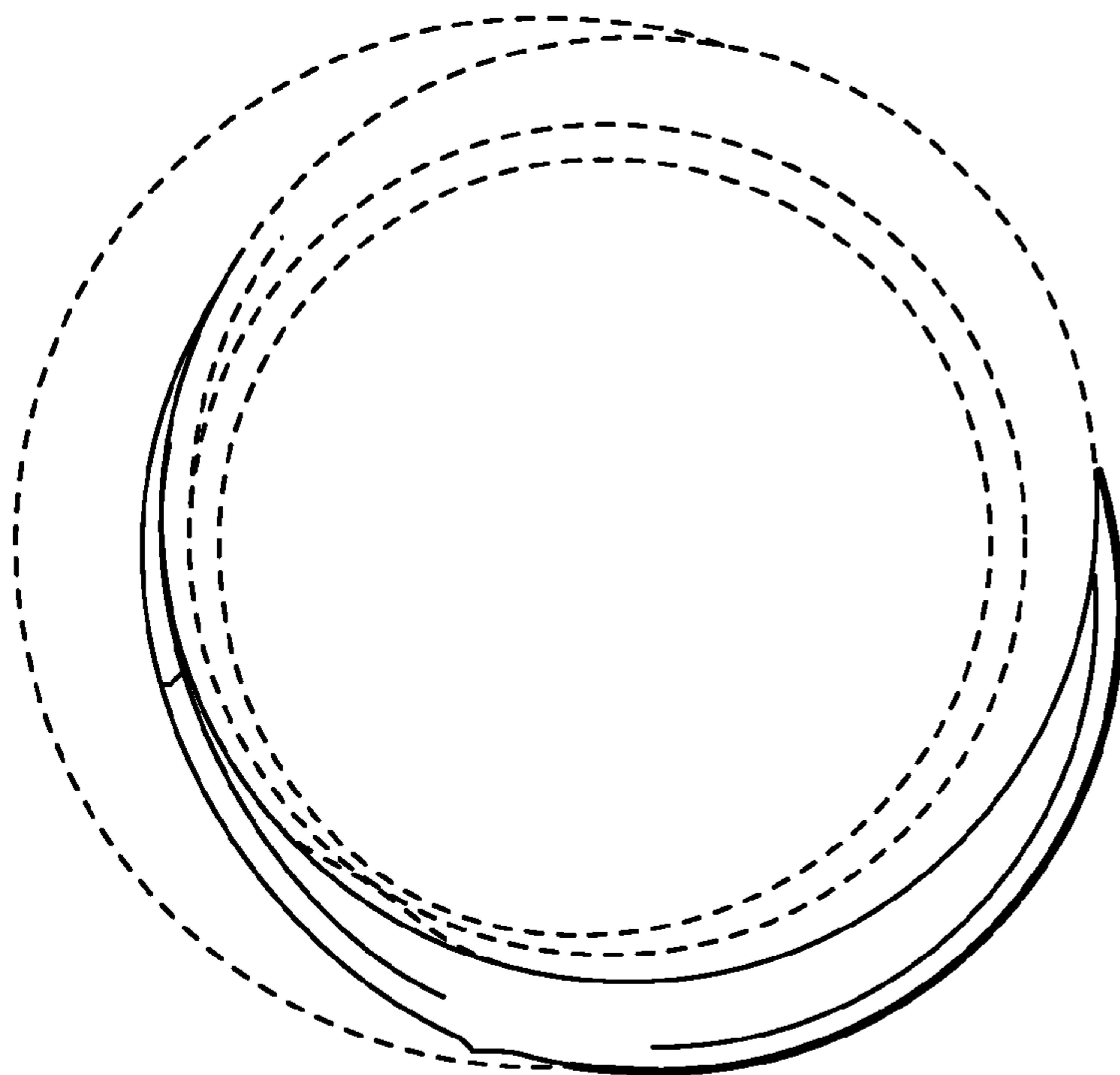


Fig. 6

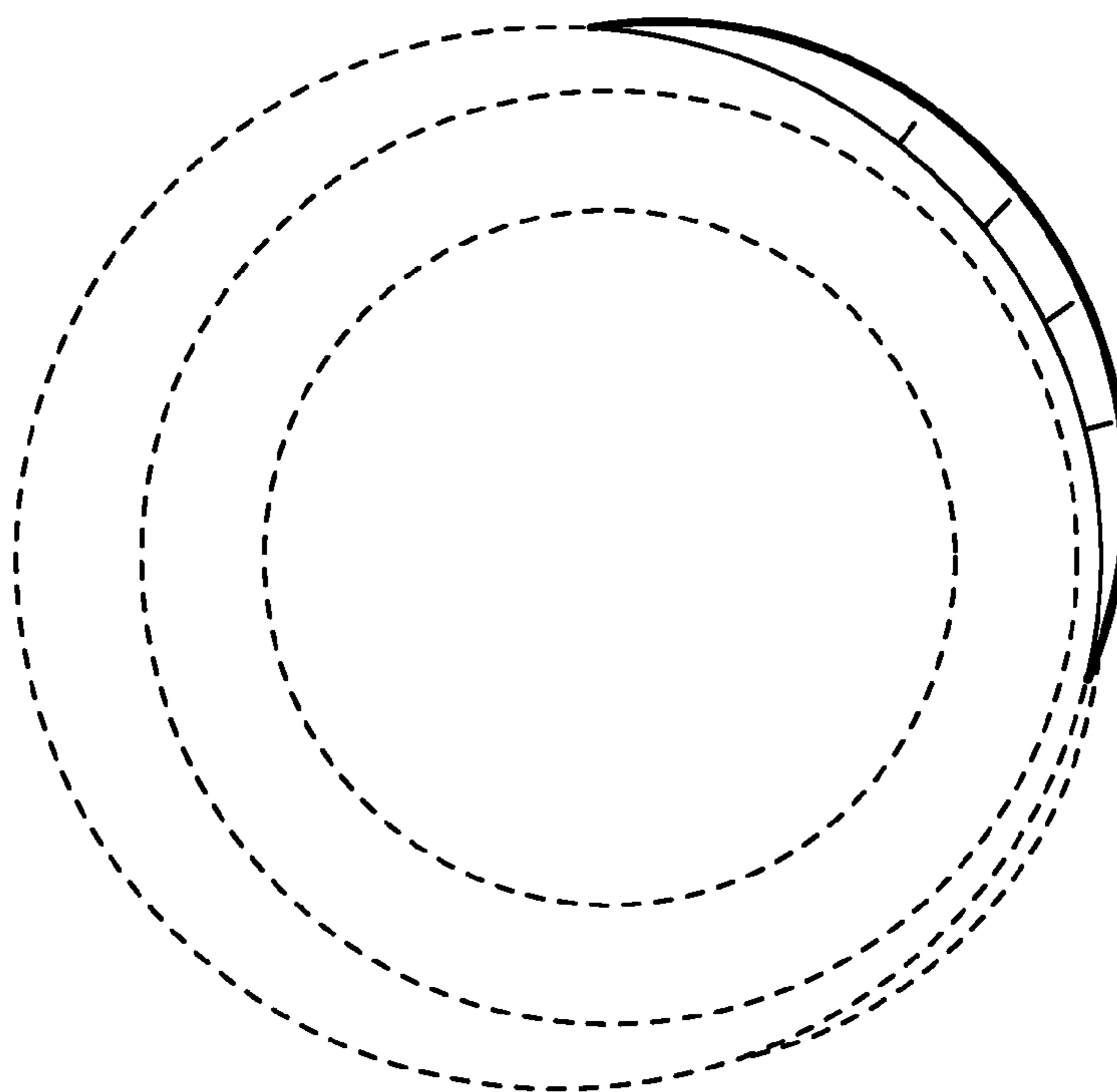


Fig. 7