



US00D609564S

(12) **United States Design Patent**
Paine

(10) **Patent No.:** **US D609,564 S**

(45) **Date of Patent:** **** Feb. 9, 2010**

(54) **BEVERAGE BOTTLE ILLUMINATOR**

Primary Examiner—Susan Bennett Hattan

(76) **Inventor:** **Roman Delaus Paine**, 17461 Lyons Valley Rd., Jamul, CA (US) 91935

(57) **CLAIM**

(**) **Term:** **14 Years**

The ornamental design for a beverage bottle illuminator, as shown.

(21) **Appl. No.:** **29/312,944**

(22) **Filed:** **Dec. 18, 2008**

DESCRIPTION

(51) **LOC (9) Cl.** **09-07**

(52) **U.S. Cl.** **D9/434; D9/455**

(58) **Field of Classification Search** D9/705,
D9/635, 520, 517, 516, 456, 455, 454, 452,
D9/444, 445, 438, 436, 435, 434, 433, 432,
D9/416.499; D26/51; 428/138; 362/101;
229/404, 128, 110, 103.3; 220/630; 206/776,
206/755, 754, 583, 522, 453, 390, 232; D8/396,
D8/394, 382; D7/624.2, 602; D23/262;
D11/86

See application file for complete search history.

FIG. 1 is a bottom view of the beverage bottle illuminator without a base cover attached.

FIG. 2 is a bottom view of the beverage bottle illuminator with the base cover attached.

FIG. 3 is a top view of the beverage bottle illuminator.

FIG. 4 is an isometric view of the beverage bottle illuminator without the base cover attached.

FIG. 5 is an isometric view of the beverage bottle illuminator with the base cover attached.

FIG. 6 is a front view of the beverage bottle illuminator.

FIG. 7 is a rear view of the beverage bottle illuminator.

FIG. 8 is a left side view of the beverage bottle illuminator.

FIG. 9 is a right side view of the beverage bottle illuminator.

FIG. 10 is an isometric view of the beverage bottle illuminator with the base cover attached and the illuminator attached to a beverage bottle. The beverage bottle is not claimed; and,

FIG. 11 is an isometric view of the beverage bottle illuminator attached to a beverage bottle showing the assembly parts of the illumination device and the base cover. The illumination device and the beverage bottle are not claimed.

(56) **References Cited**

U.S. PATENT DOCUMENTS

D270,332	S *	8/1983	Gaunt	D9/779
5,626,228	A *	5/1997	Wiemann et al.	206/511
D380,383	S *	7/1997	Wiemann et al.	D9/434
D398,528	S *	9/1998	Wiemann et al.	D9/434
7,063,432	B2 *	6/2006	VanderSchuit	362/101
D582,775	S *	12/2008	Pedmo et al.	D9/516
2003/0076672	A1 *	4/2003	Head	362/101
2004/0136177	A1 *	7/2004	Lewis et al.	362/101
2005/0213314	A1 *	9/2005	Mochiachvili et al.	362/101
2006/0109644	A1 *	5/2006	Saucier et al.	362/101
2007/0206372	A1 *	9/2007	Casillas	362/101

* cited by examiner

1 Claim, 5 Drawing Sheets

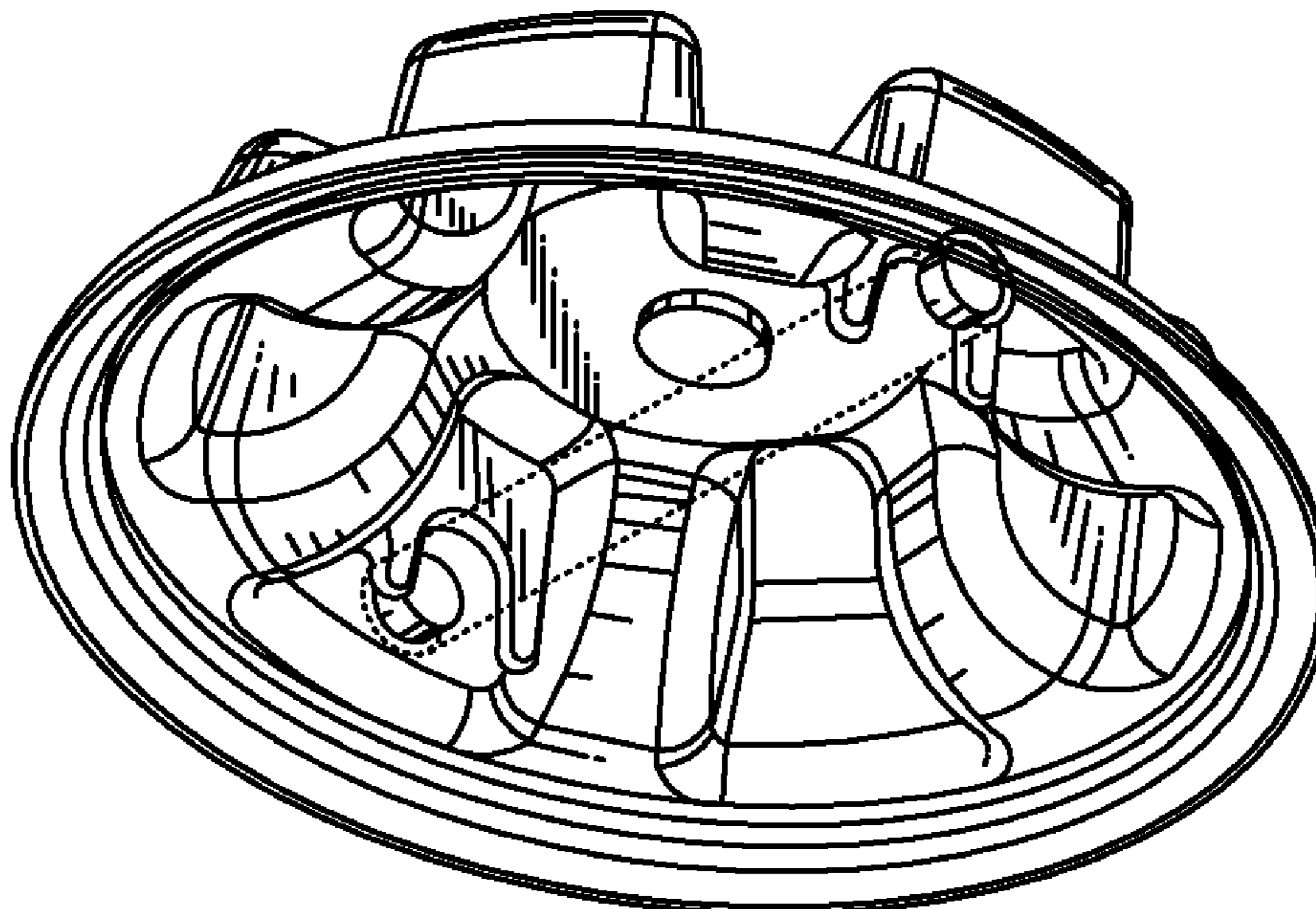


Fig. 1

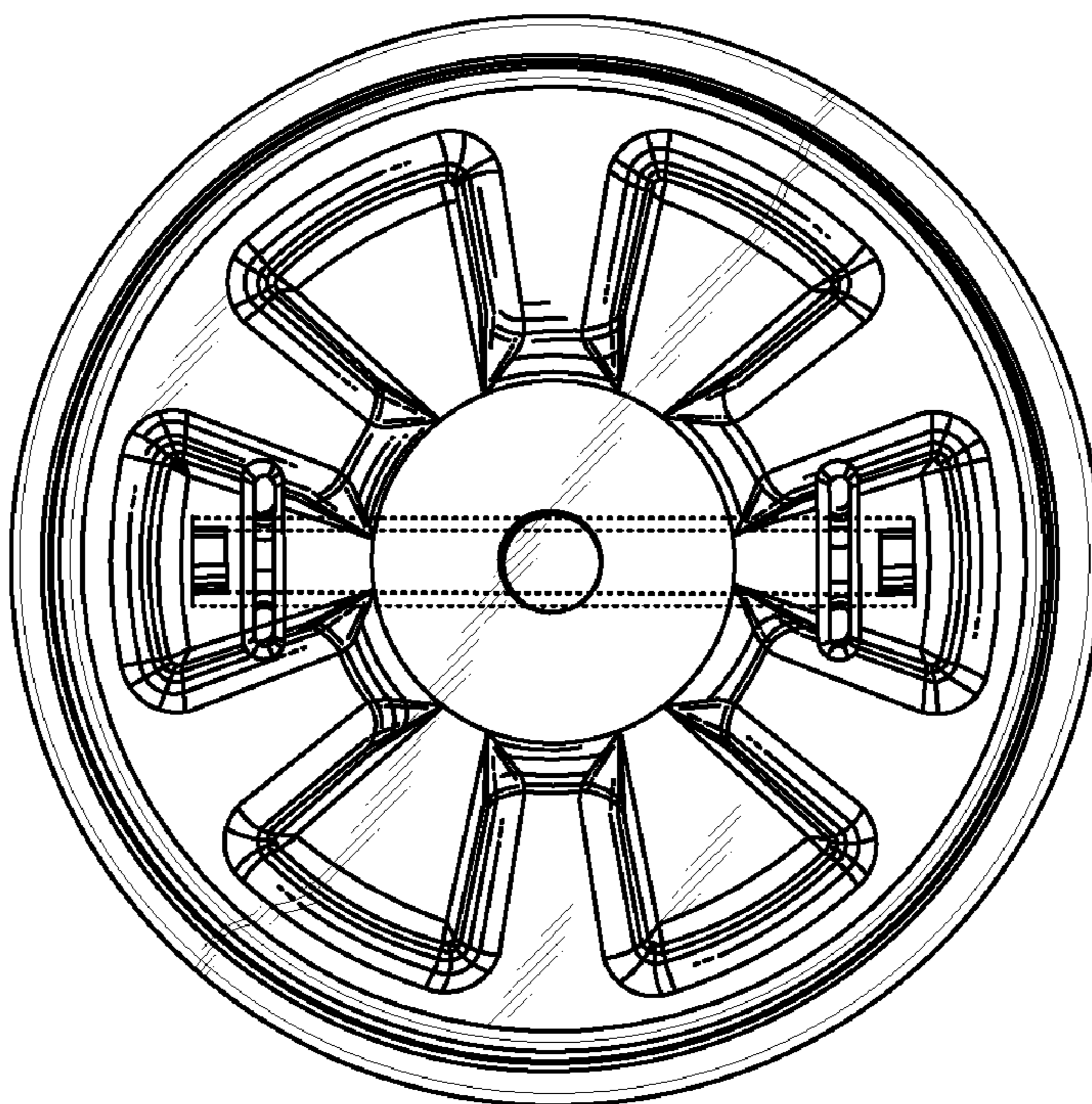


Fig. 2

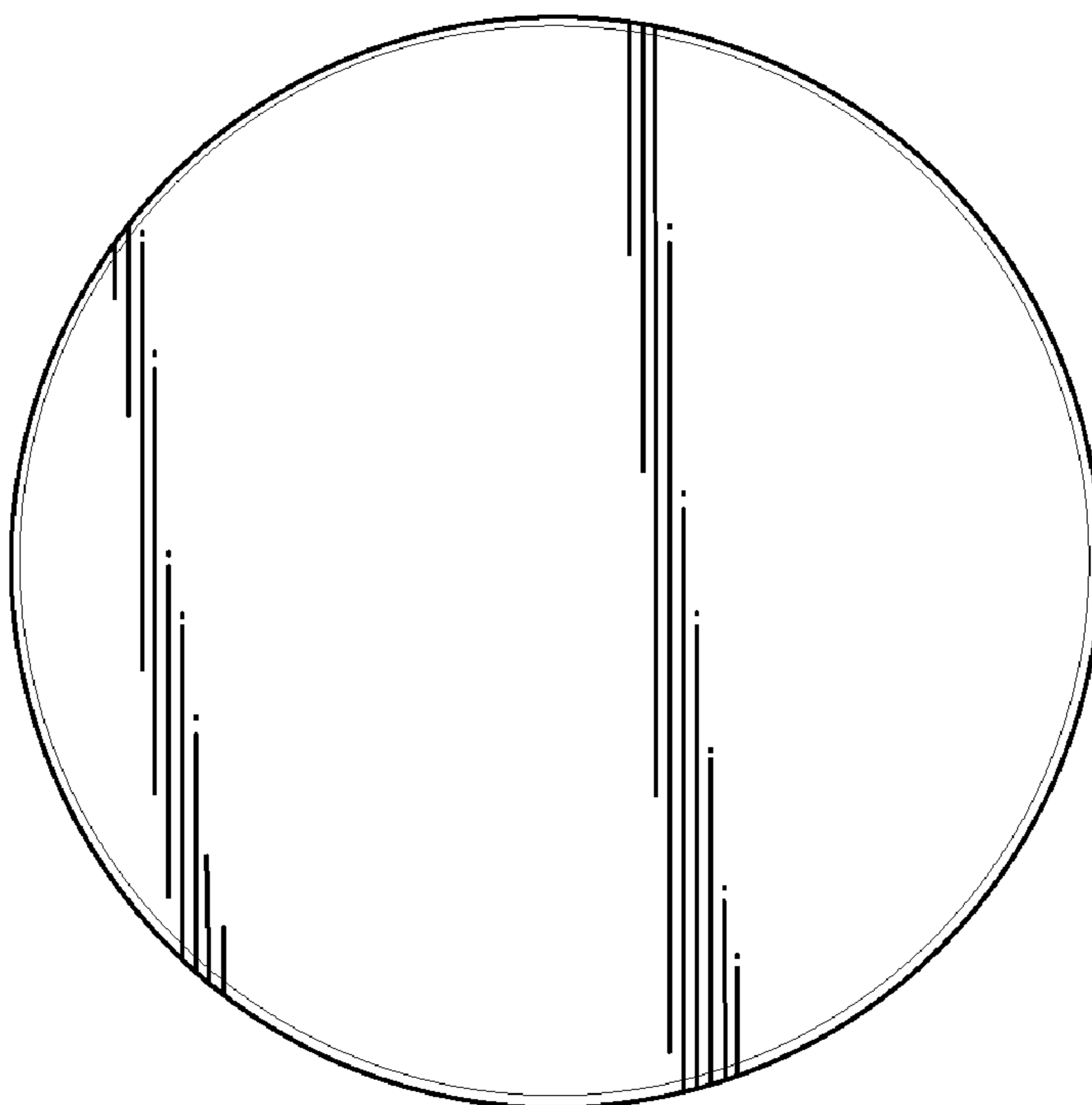


Fig. 3

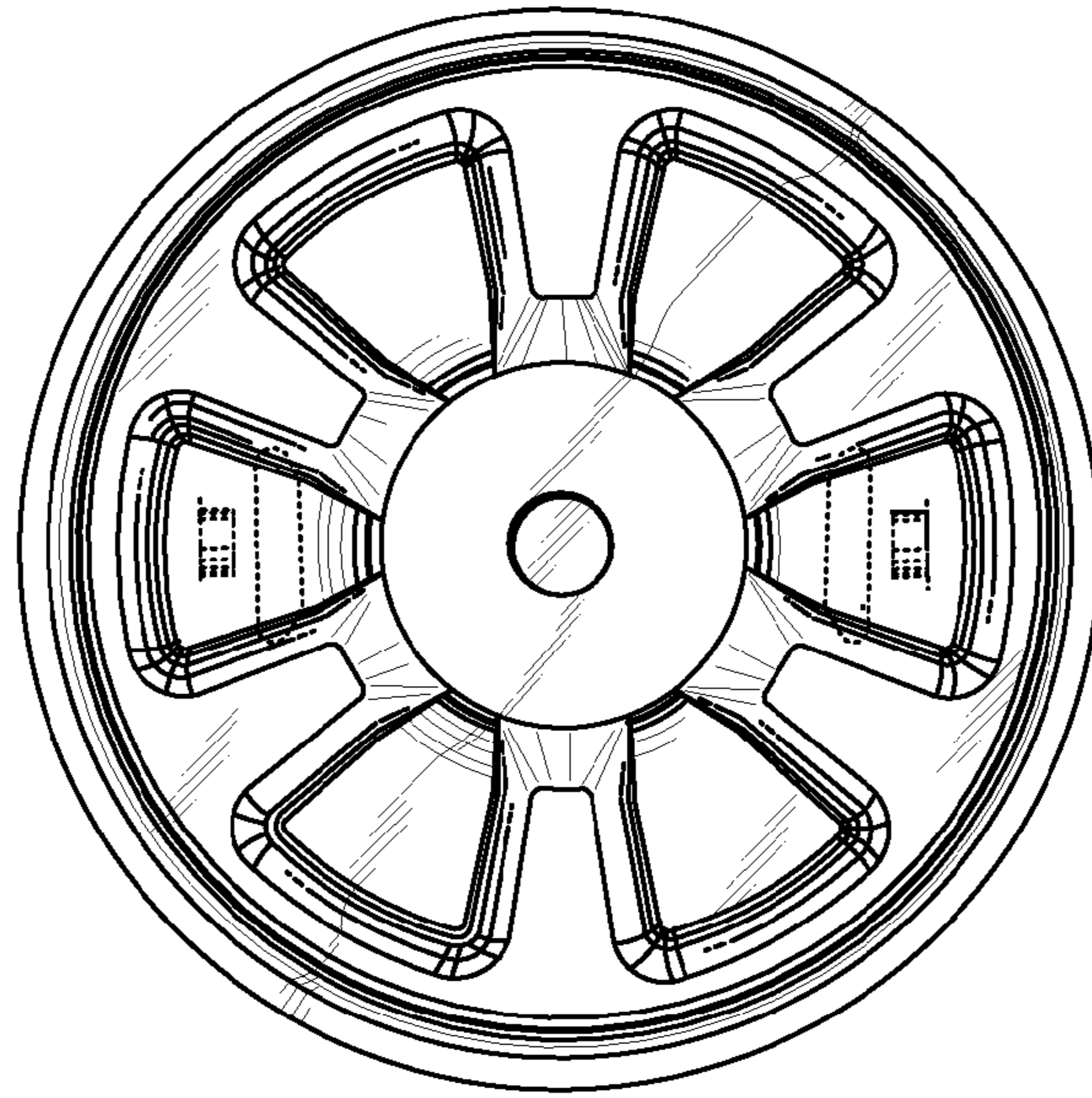


Fig. 4

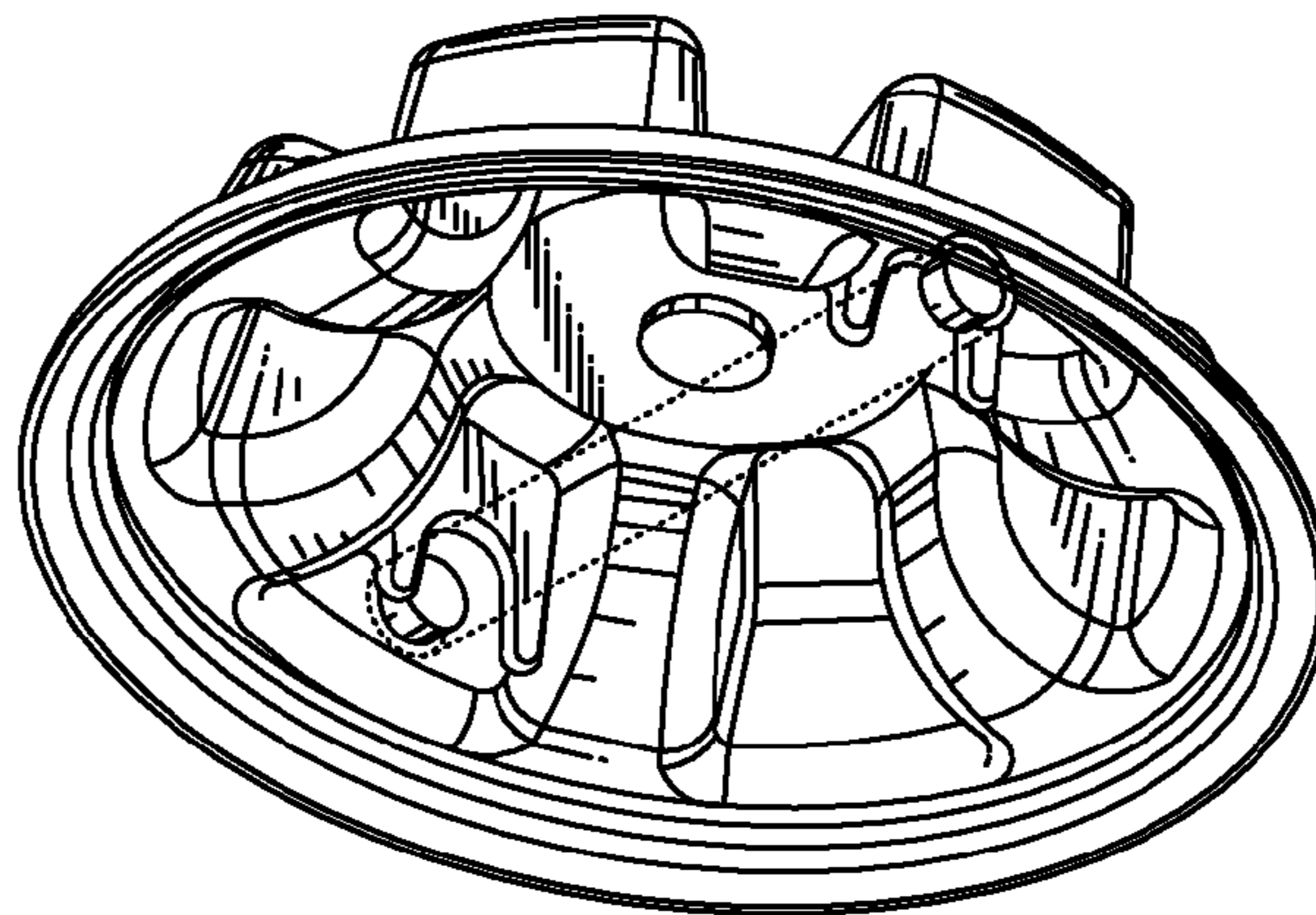
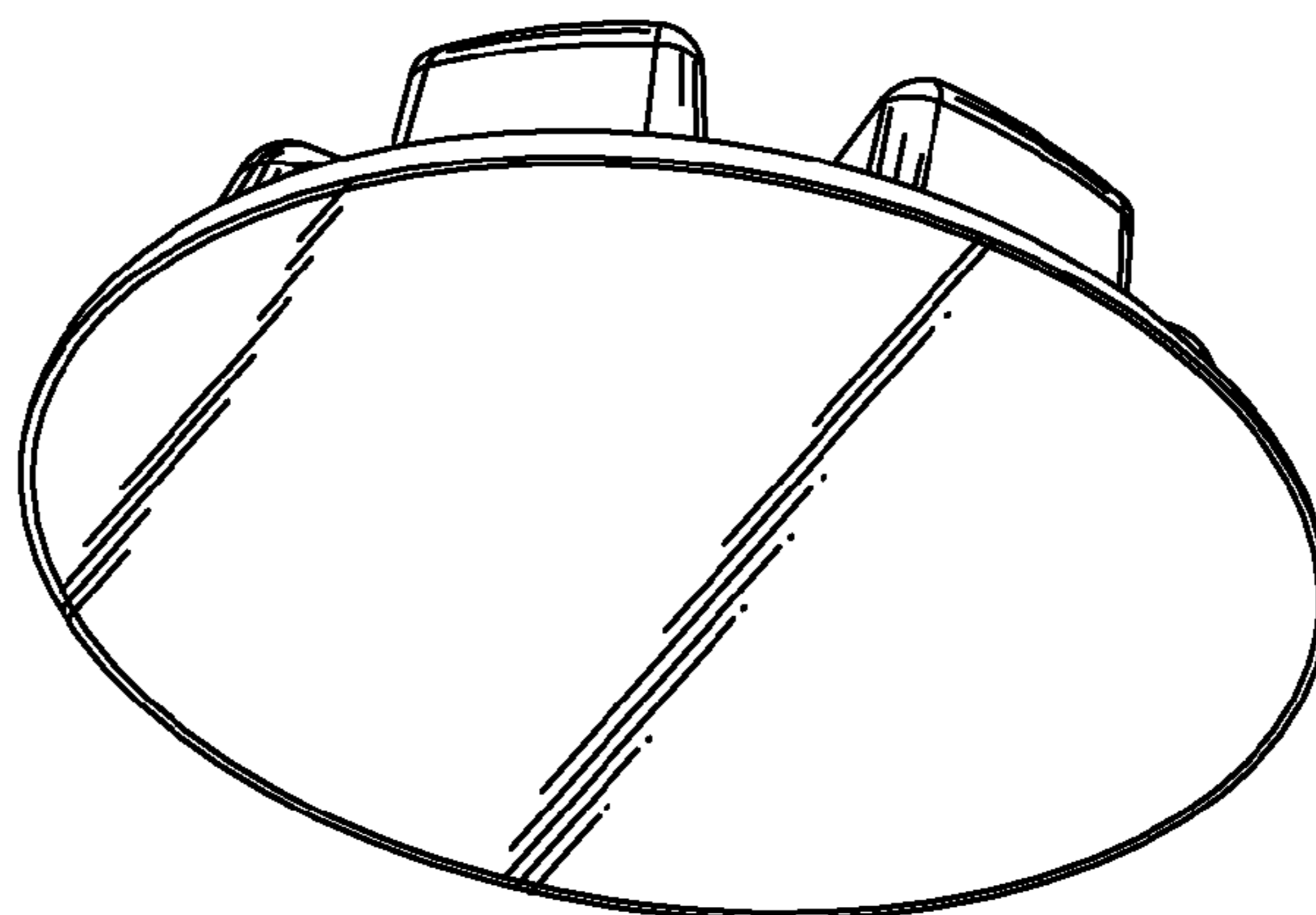


Fig. 5



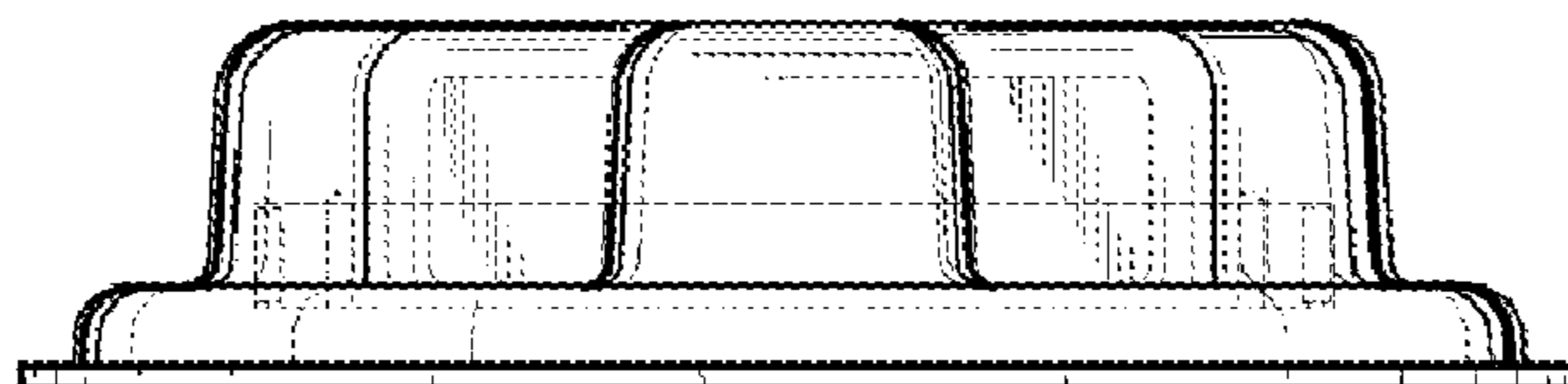


Fig. 6

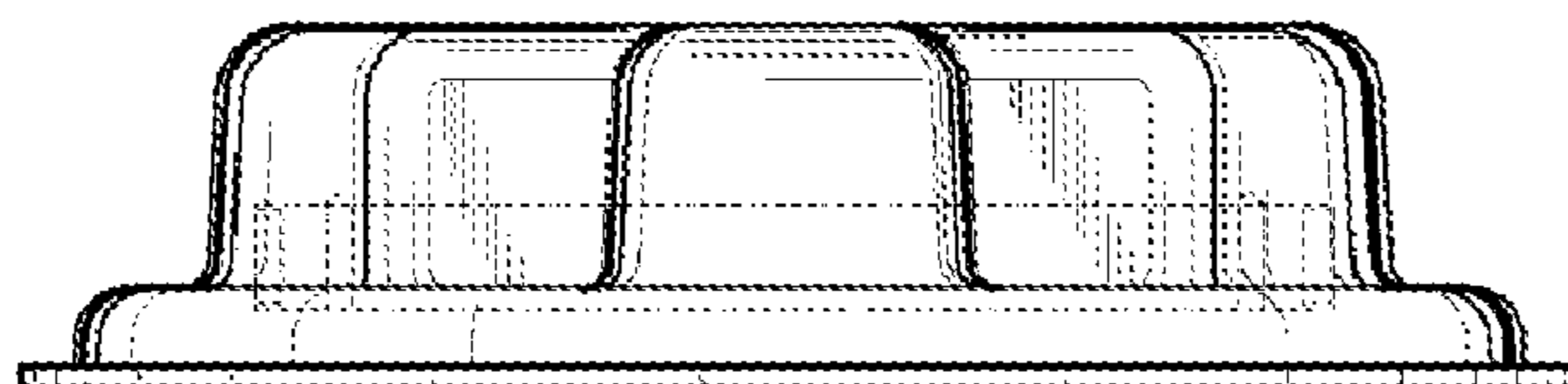


Fig. 7

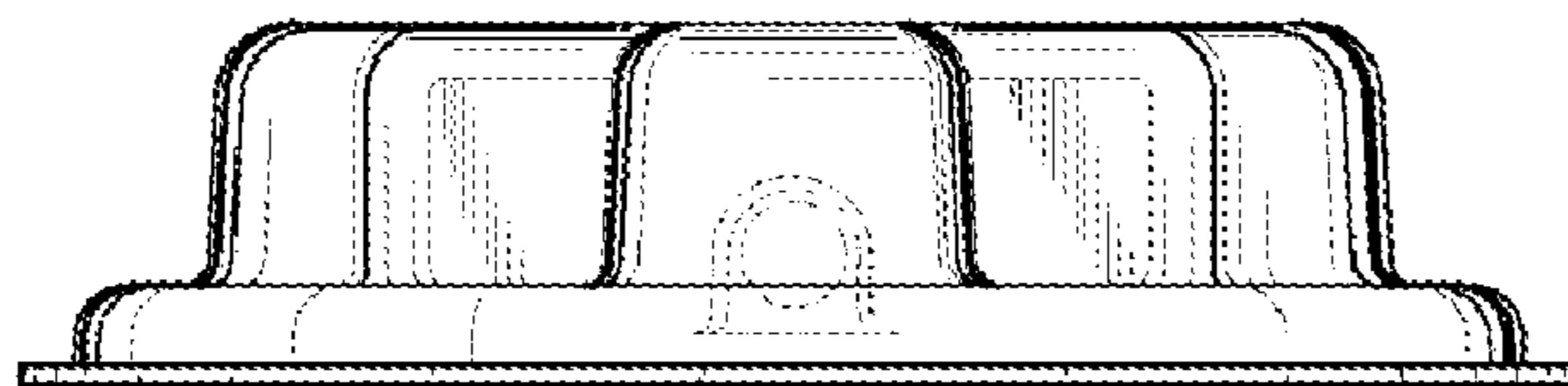


Fig. 8

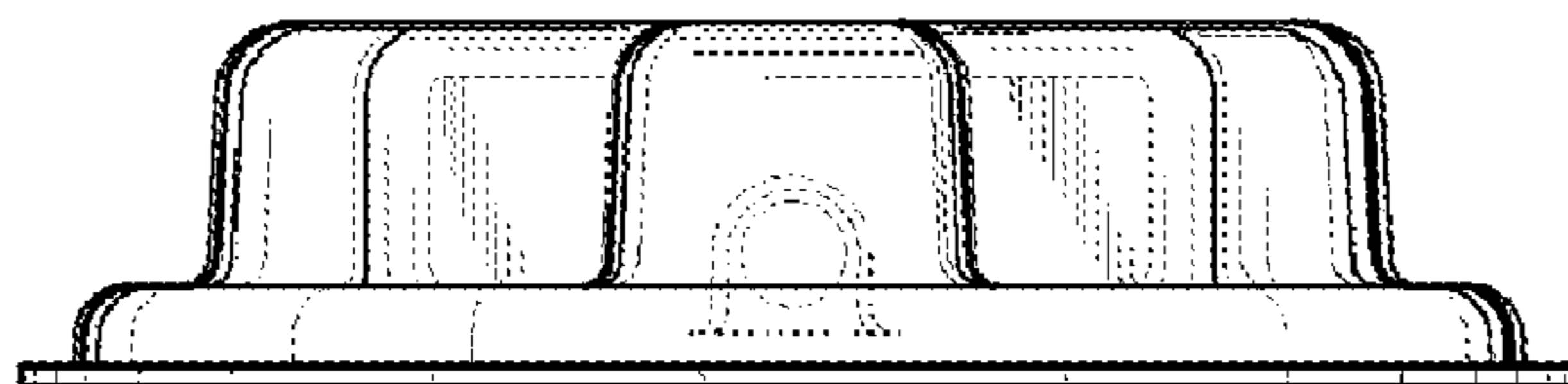


Fig. 9

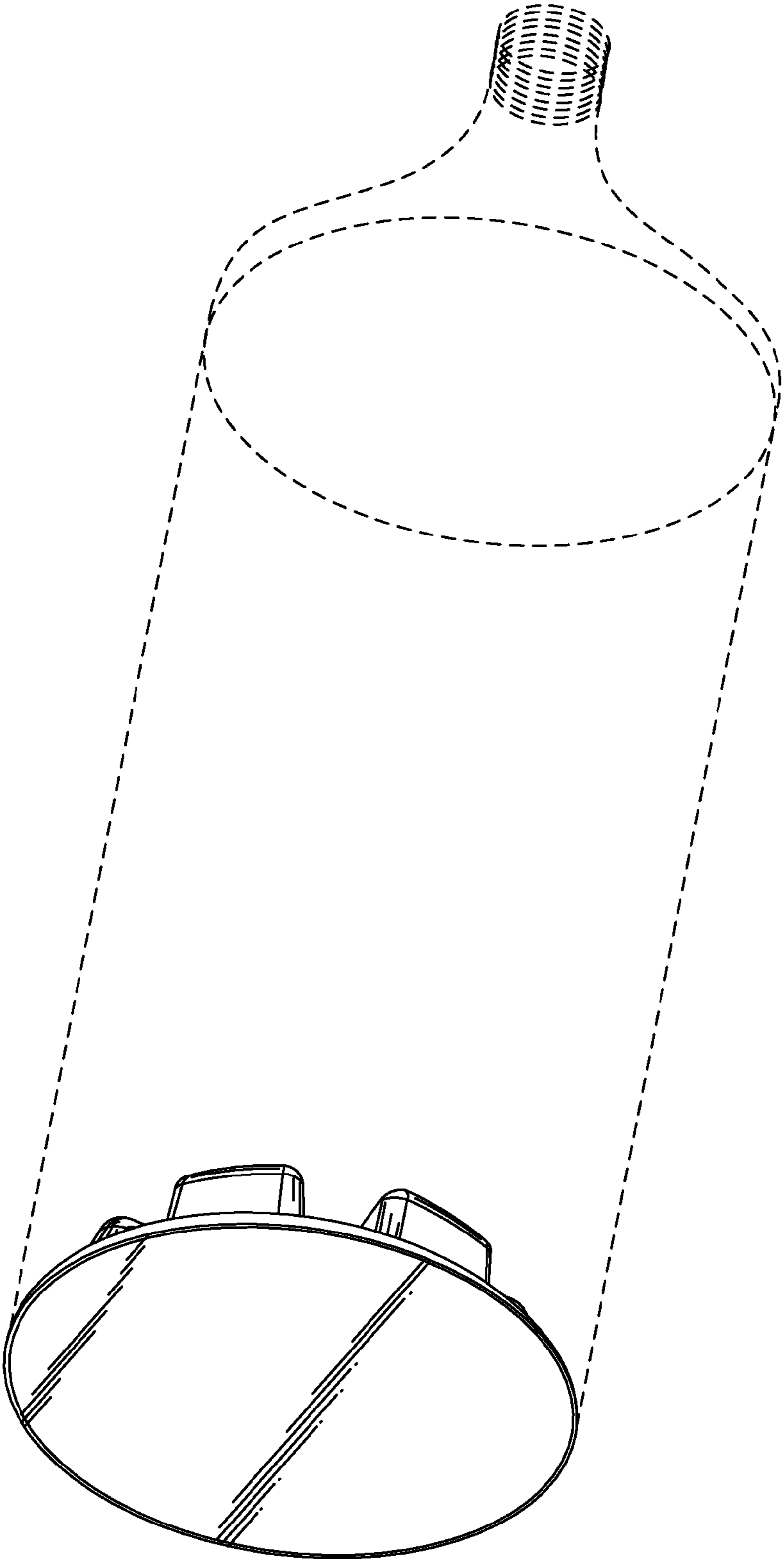


Fig. 10

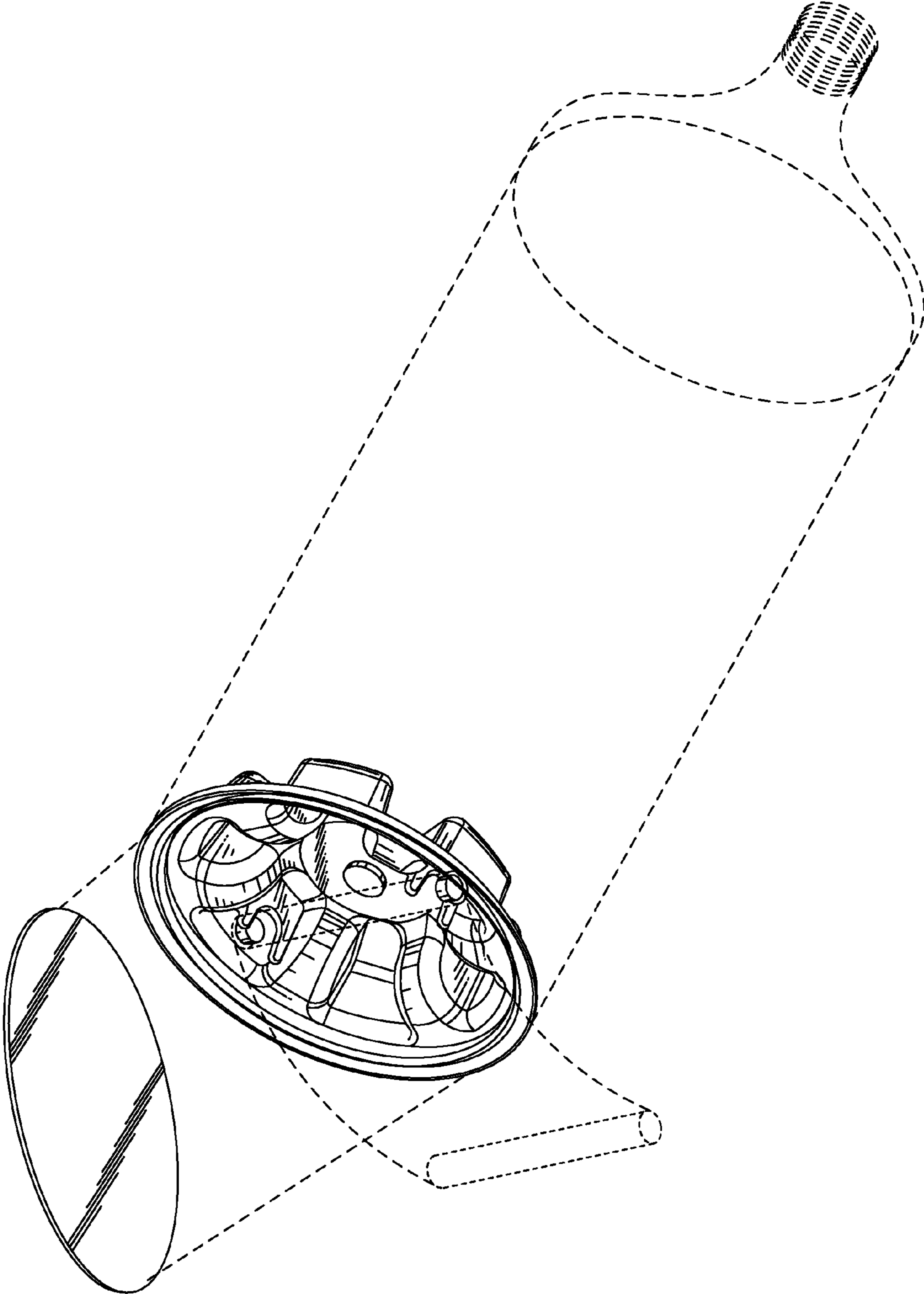


Fig. 11