



US00D609563S

(12) **United States Design Patent**  
**Daum et al.**

(10) **Patent No.:** **US D609,563 S**  
(45) **Date of Patent:** **\*\* Feb. 9, 2010**

(54) **PACKAGING FOR OPTICAL DISC**  
(75) Inventors: **Dieter Daum**, Kuchl (AT); **Günther Schindlauer**, Salzburg (AT); **Erwin Wagner**, Hallein (AT); **Kathrin Feldmaier**, St. Johann im Pongau (AT); **Anton Rangetiner**, Bad Häring (AT)

(73) Assignee: **Sony DADC Austria AG**, Anif (AT)

(\*\*) Term: **14 Years**

(21) Appl. No.: **29/309,752**

(22) Filed: **Oct. 3, 2008**

(30) **Foreign Application Priority Data**  
Apr. 4, 2008 (EM) ..... 000914510-0001

(51) **LOC (9) Cl.** ..... **09-03**

(52) **U.S. Cl.** ..... **D9/433**

(58) **Field of Classification Search** ..... D9/430-433, D9/414, 418, 420-423; D3/272; 206/278, 206/297, 299, 457, 770, 737, 822, 308.1; 229/100, 101, 101.3, 106, 108, 108.1, 116.1, 229/116.3, 116.5, 121, 122, 201, 213, 221, 229/222, 227, 922, 939, 942; D14/481  
See application file for complete search history.

(56) **References Cited**

**U.S. PATENT DOCUMENTS**

5,048,681	A *	9/1991	Henkel	206/308.1
5,101,973	A *	4/1992	Martinez	206/308.1
D360,360	S *	7/1995	Kiolbasa	D9/433
D386,406	S *	11/1997	House	D9/433
5,697,496	A *	12/1997	Bauer	206/308.1
5,697,499	A	12/1997	Reiter	
5,749,463	A *	5/1998	Collins	206/308.1
5,901,844	A *	5/1999	Gambardella et al.	206/308.1
5,931,293	A *	8/1999	Seelenmeyer	206/308.1

5,947,281	A *	9/1999	Kaneff	206/313
5,957,281	A *	9/1999	Collins	206/307.1
6,044,969	A *	4/2000	Denize et al.	206/308.1
6,073,763	A *	6/2000	Collins	206/308.1
7,077,265	B2 *	7/2006	Laarman	206/232
D526,896	S *	8/2006	Partida	D9/433
2003/0029742	A1	2/2003	Exline	
2005/0194271	A1 *	9/2005	Wah Fai	206/308.1
2006/0283729	A1 *	12/2006	Feffer	206/232

**FOREIGN PATENT DOCUMENTS**

EP	0 159 860	A2	10/1985
GB	2272887	A	6/1994
WO	WO 97/22540	A1	6/1997

\* cited by examiner

*Primary Examiner*—Robert M Spear  
*Assistant Examiner*—Karen Acker

(74) *Attorney, Agent, or Firm*—Rader, Fishman & Grauer, PLLC

(57) **CLAIM**

The ornamental design for a packaging for an optical disc, as shown and described.

**DESCRIPTION**

FIG. 1 is a perspective view of a packaging for an optical disc showing our new design;

FIG. 2 is a right side elevational view thereof;

FIG. 3 is a left side elevational view thereof.

FIG. 4 is a front elevational view thereof;

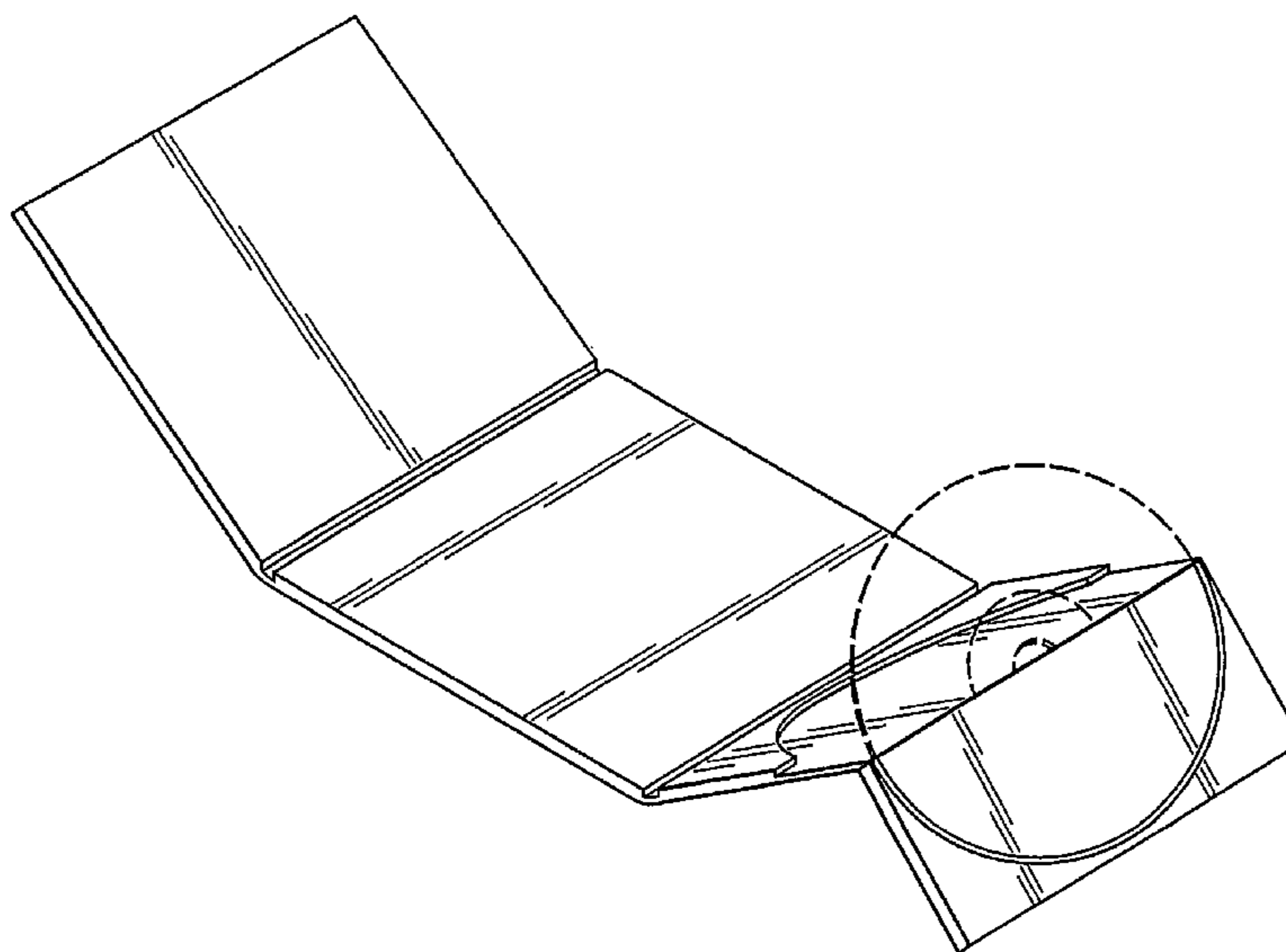
FIG. 5 is a rear elevational view thereof;

FIG. 6 is a top plan view thereof; and,

FIG. 7 is a bottom plan view thereof.

The broken lines in the drawings represent unclaimed environmental subject matter.

**1 Claim, 4 Drawing Sheets**



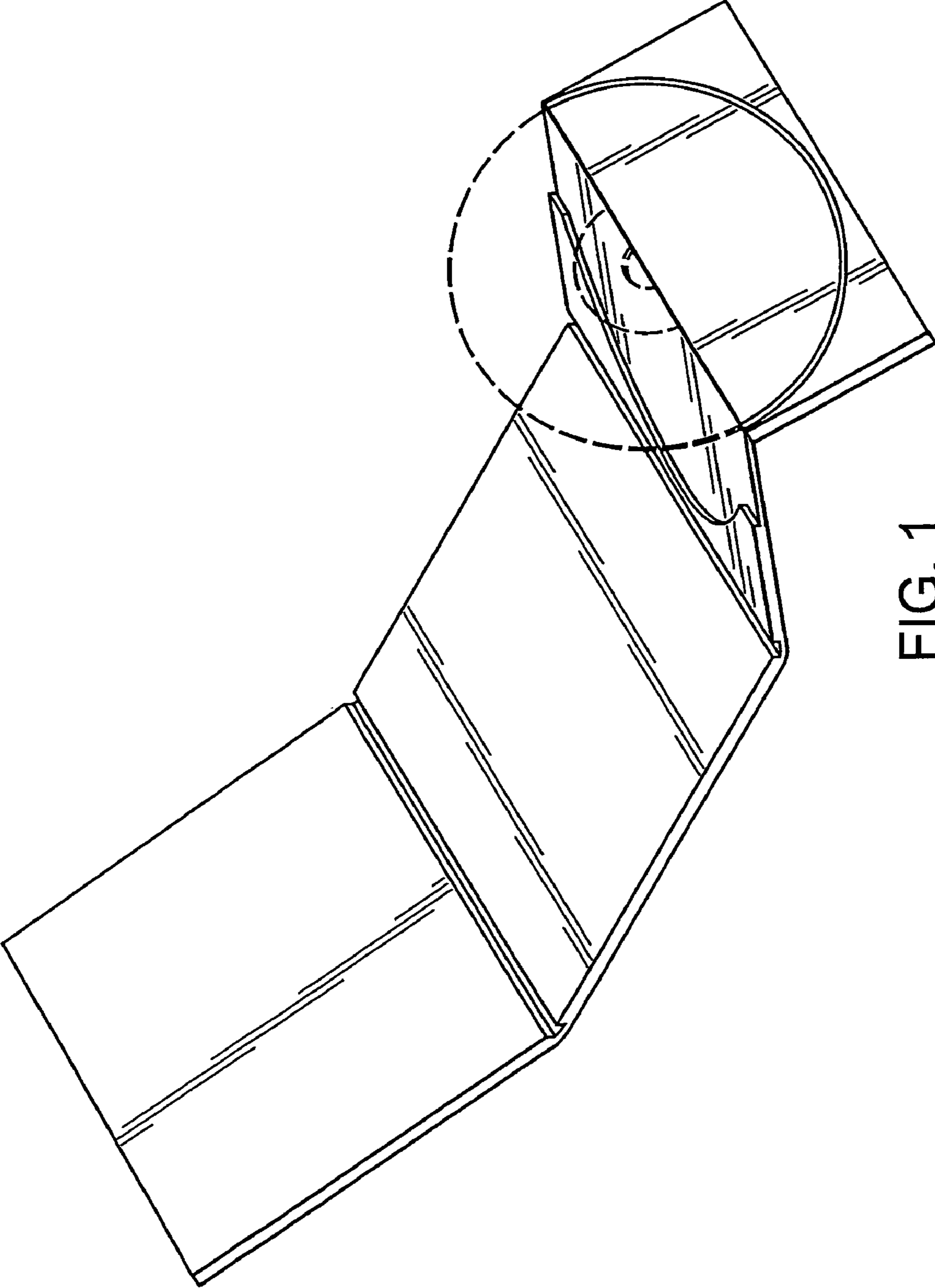


FIG. 1

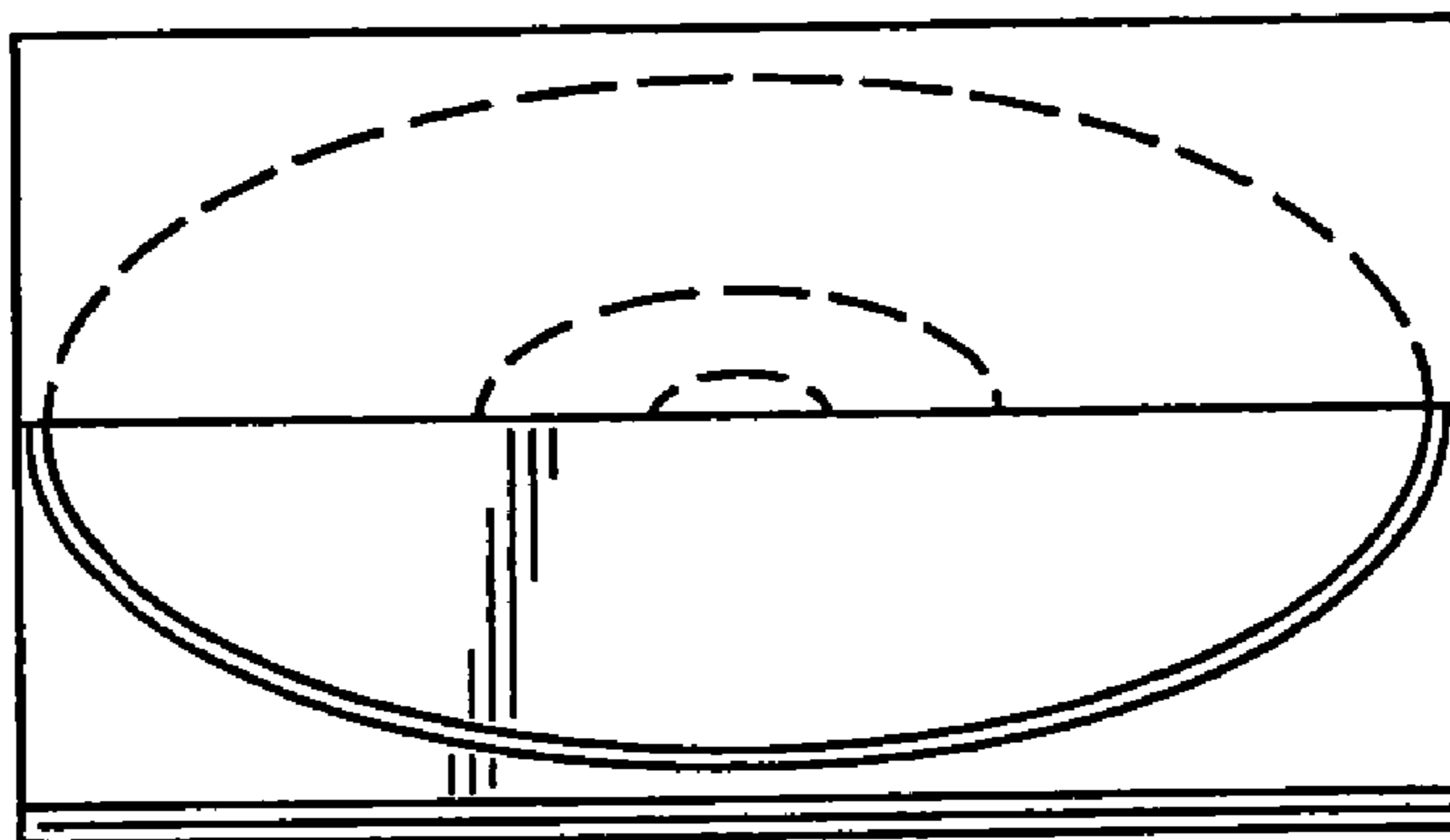


FIG. 2

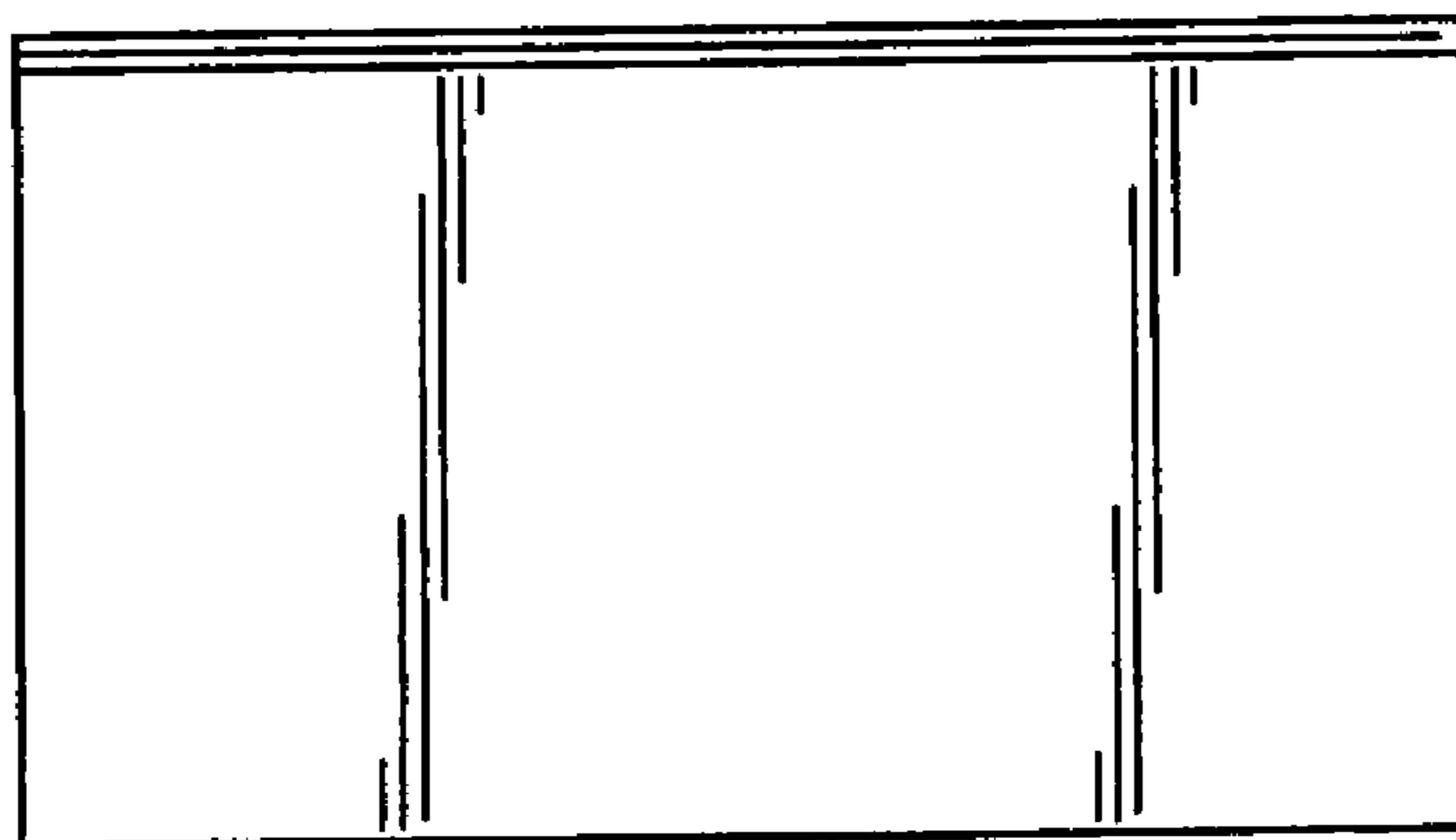


FIG. 3

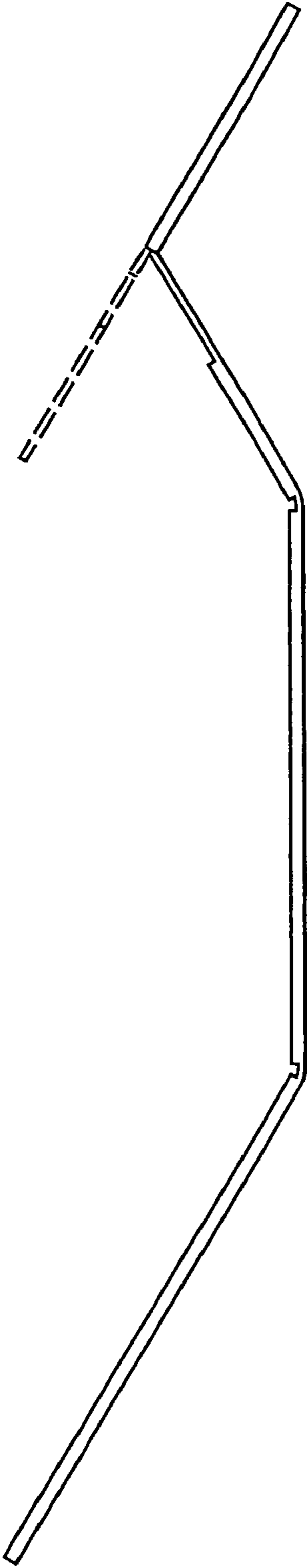


FIG. 4

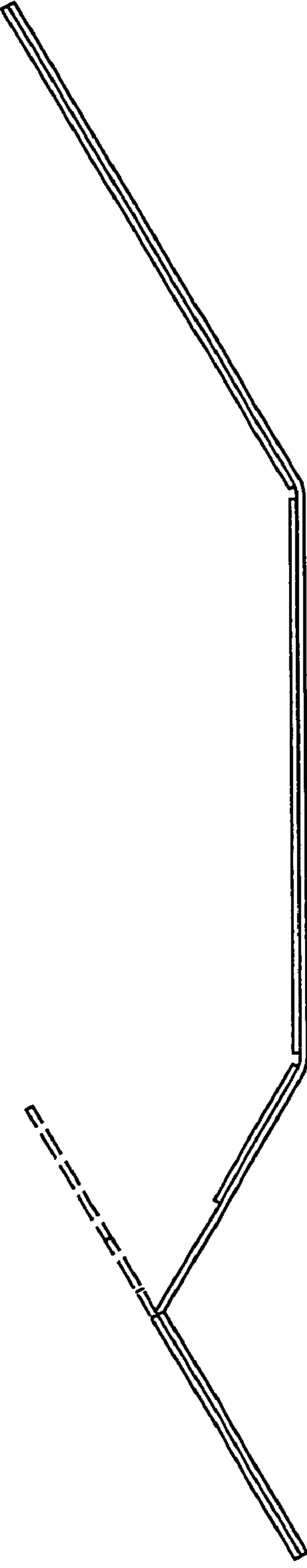


FIG. 5

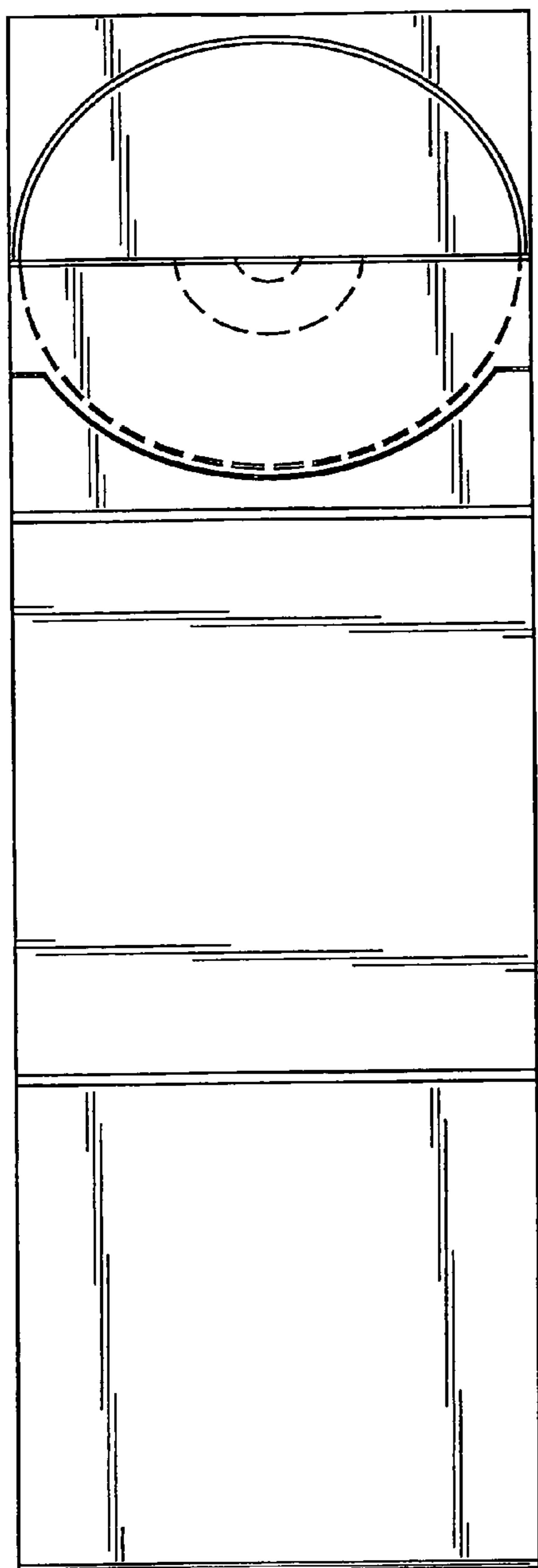


FIG. 6

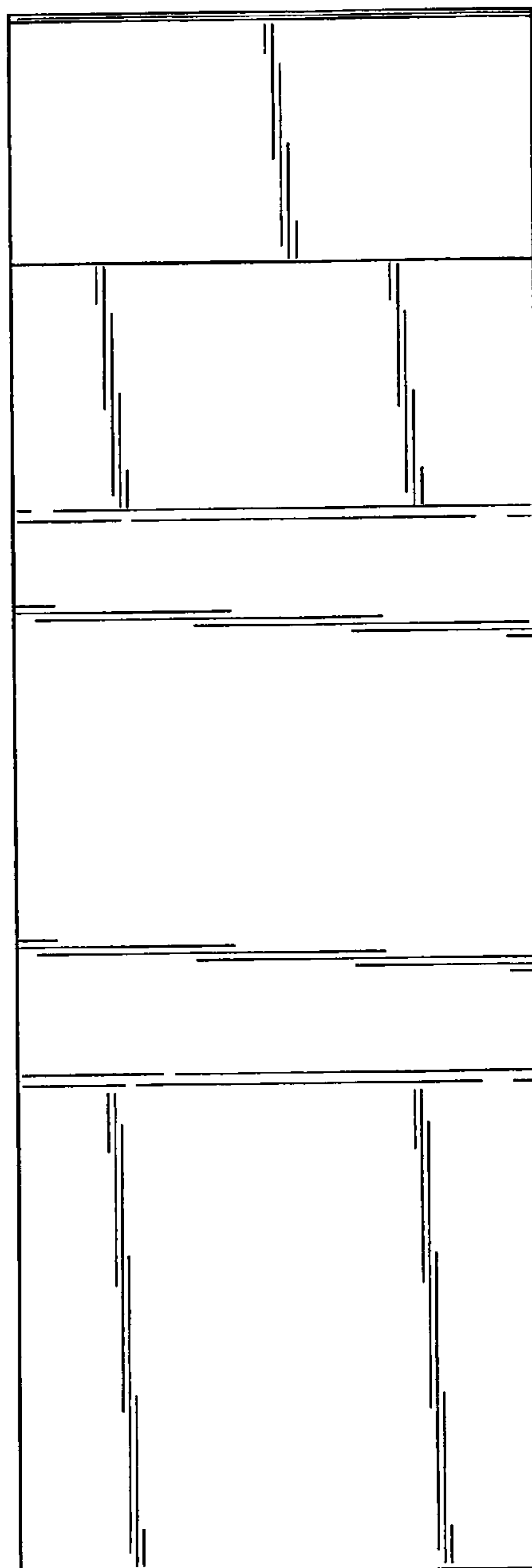


FIG. 7