



US00D609561S

(12) **United States Design Patent**  
**Baker et al.**

(10) **Patent No.:** **US D609,561 S**  
(45) **Date of Patent:** **\*\* Feb. 9, 2010**

(54) **PACKAGING SYSTEM FOR PROMINENT DISPLAY OF FOOTBEDS OR SIMILAR RETAIL ARTICLES**

(76) Inventors: **Michael Baker**, 4377 Prospect Road, North Vancouver, BC (CA) V7N 3L8; **Robert Nathan**, Suite 9 - 225 East 5th Street, North Vancouver, BC (CA) V7L 1L8; **Ryan Lawrie**, 2651 East 6th Avenue, Vancouver, BC (CA) V5M 1R4

(\*\*) Term: **14 Years**

(21) Appl. No.: **29/337,835**

(22) Filed: **May 29, 2009**

(51) **LOC (9) Cl.** ..... **09-03**

(52) **U.S. Cl.** ..... **D9/415**

(58) **Field of Classification Search** ..... D9/414-434, D9/456, 457, 715, 722; 209/278-299, 461-471, 209/775-782, 495, 806, 822

See application file for complete search history.

(56) **References Cited**

**U.S. PATENT DOCUMENTS**

2,810,477	A *	10/1957	McInnes et al. ....	206/294
2,855,649	A *	10/1958	Kanter .....	223/87
3,032,242	A *	5/1962	Roberts .....	223/87
3,069,009	A *	12/1962	Hoeflich .....	206/284
4,132,309	A *	1/1979	Shaylor .....	206/278
5,027,945	A *	7/1991	Wilkins .....	206/278
5,261,580	A *	11/1993	Smith .....	223/85
D361,510	S *	8/1995	Jordan et al. ....	D9/415
D387,980	S *	12/1997	Snitzer et al. ....	D9/415
D408,278	S *	4/1999	Konop .....	D9/415

D412,111	S *	7/1999	Josephs .....	D9/415
D440,873	S *	4/2001	Van Horn .....	D9/415
D471,443	S *	3/2003	Chiang .....	D9/415
D501,791	S *	2/2005	Geiberger et al. ....	D9/415
D520,876	S *	5/2006	Steidle .....	D9/457
7,191,551	B2 *	3/2007	O'Connor et al. ....	36/136

\* cited by examiner

*Primary Examiner*—Catherine Tuttle

(74) *Attorney, Agent, or Firm*—Oyen, Wiggs, Green & Mutala LLP

(57) **CLAIM**

The ornamental design for a packaging system for prominent display of footbeds or similar retail articles, as shown and described.

**DESCRIPTION**

FIG. 1 is an upper front right isometric view of a packaging system for prominent display of footbeds or similar retail articles;

FIG. 2 is lower front left different isometric view thereof;

FIG. 3 is front elevation view thereof;

FIG. 4 is a rear elevation view thereof;

FIG. 5 is a bottom plan view thereof;

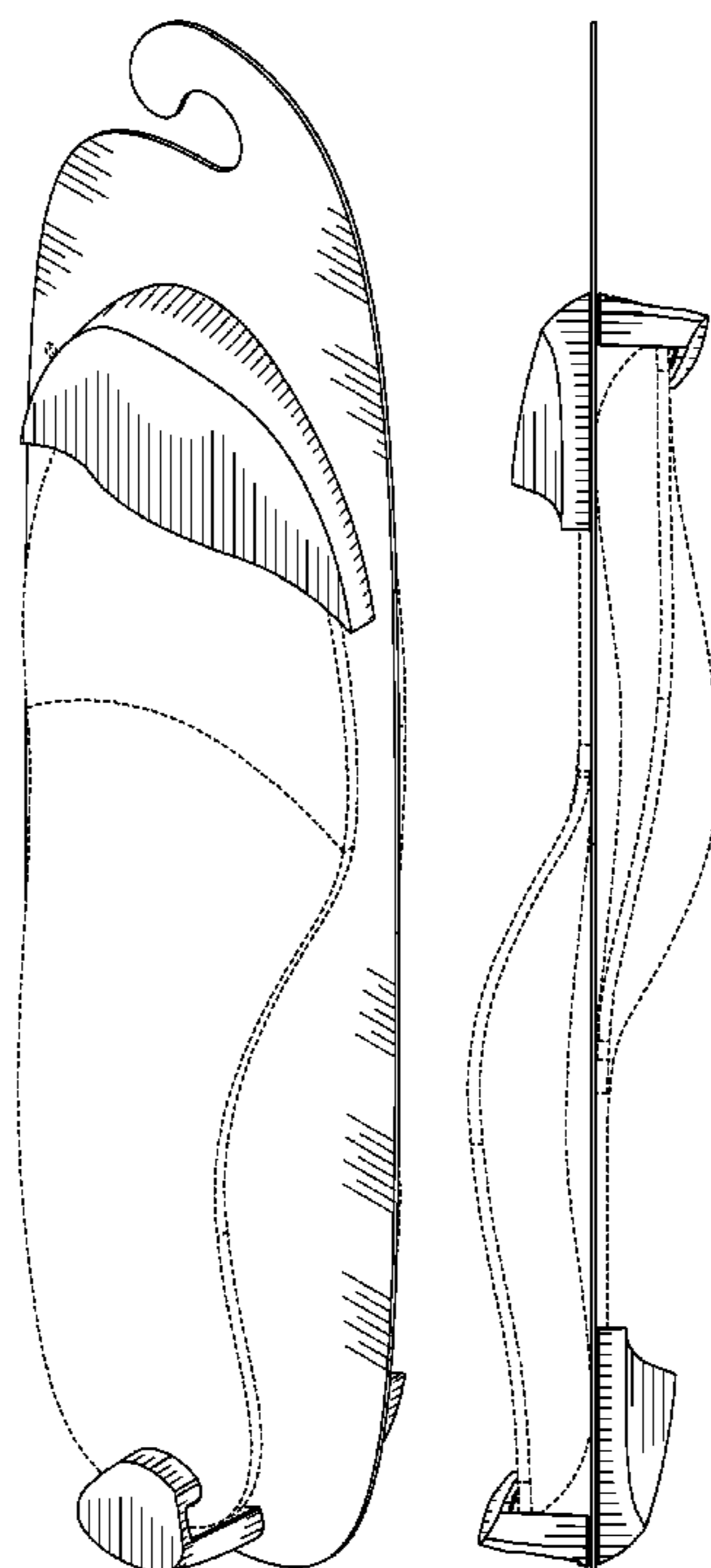
FIG. 6 is a top plan view thereof;

FIG. 7 is right side view thereof; and,

FIG. 8 is a left side view thereof.

The features shown in broken lines are for illustrative purposes only and form no part of the claimed design.

**1 Claim, 6 Drawing Sheets**



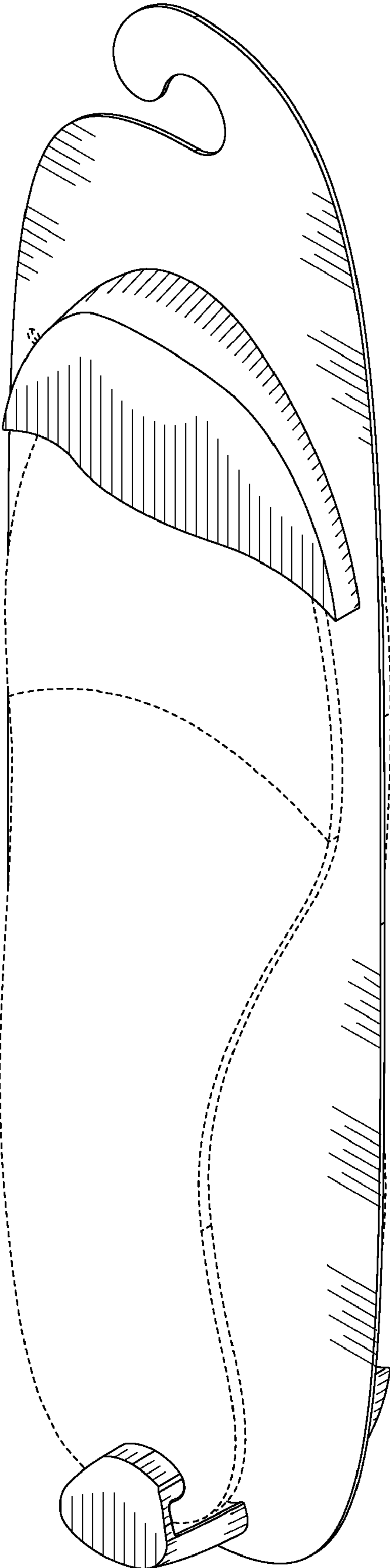


Figure 1

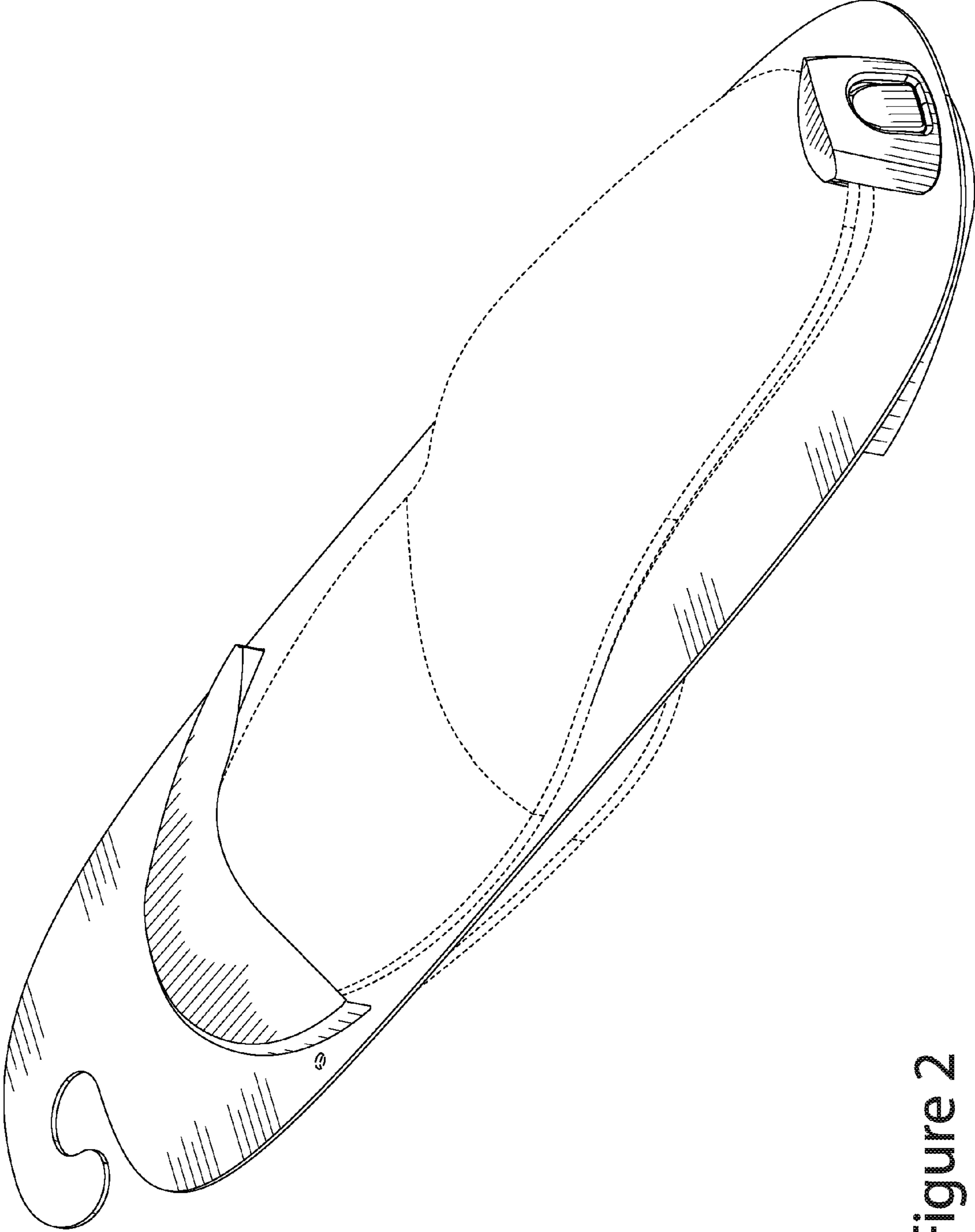


Figure 2

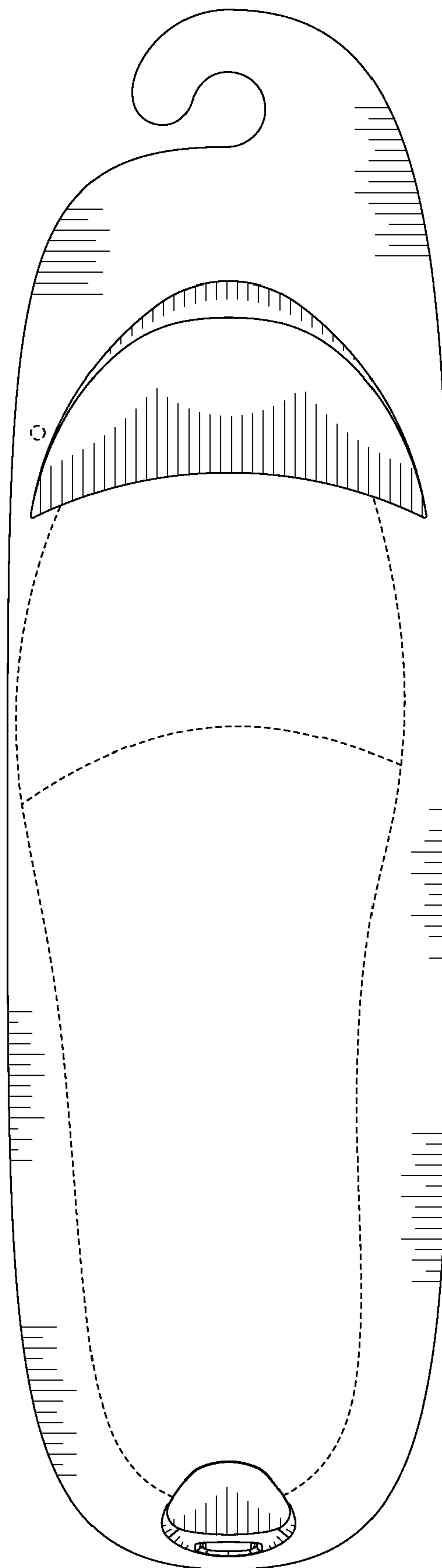


Figure 3

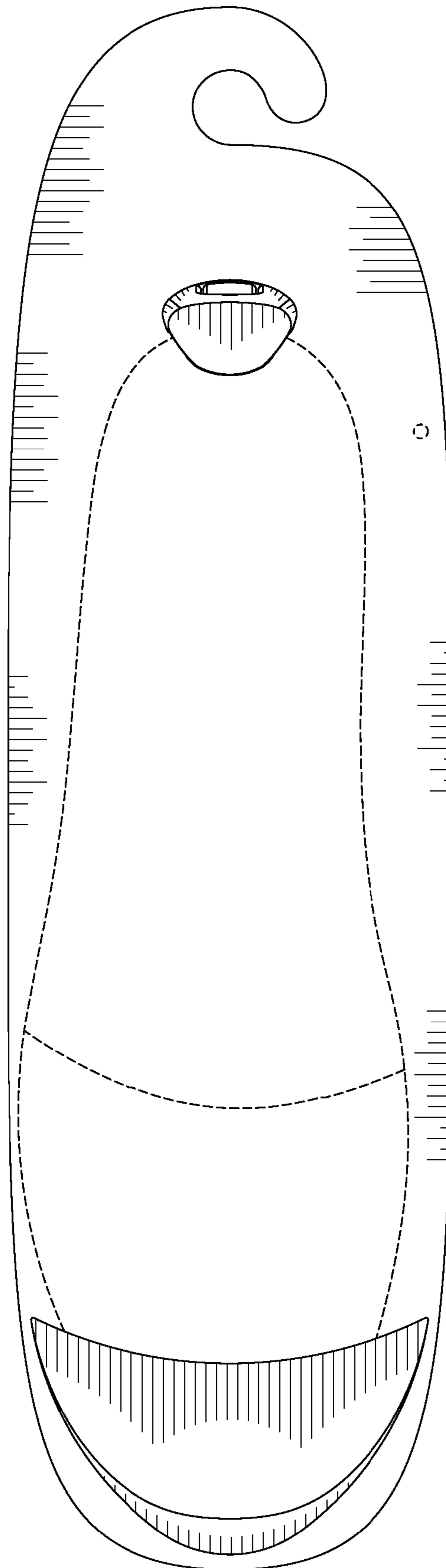


Figure 4

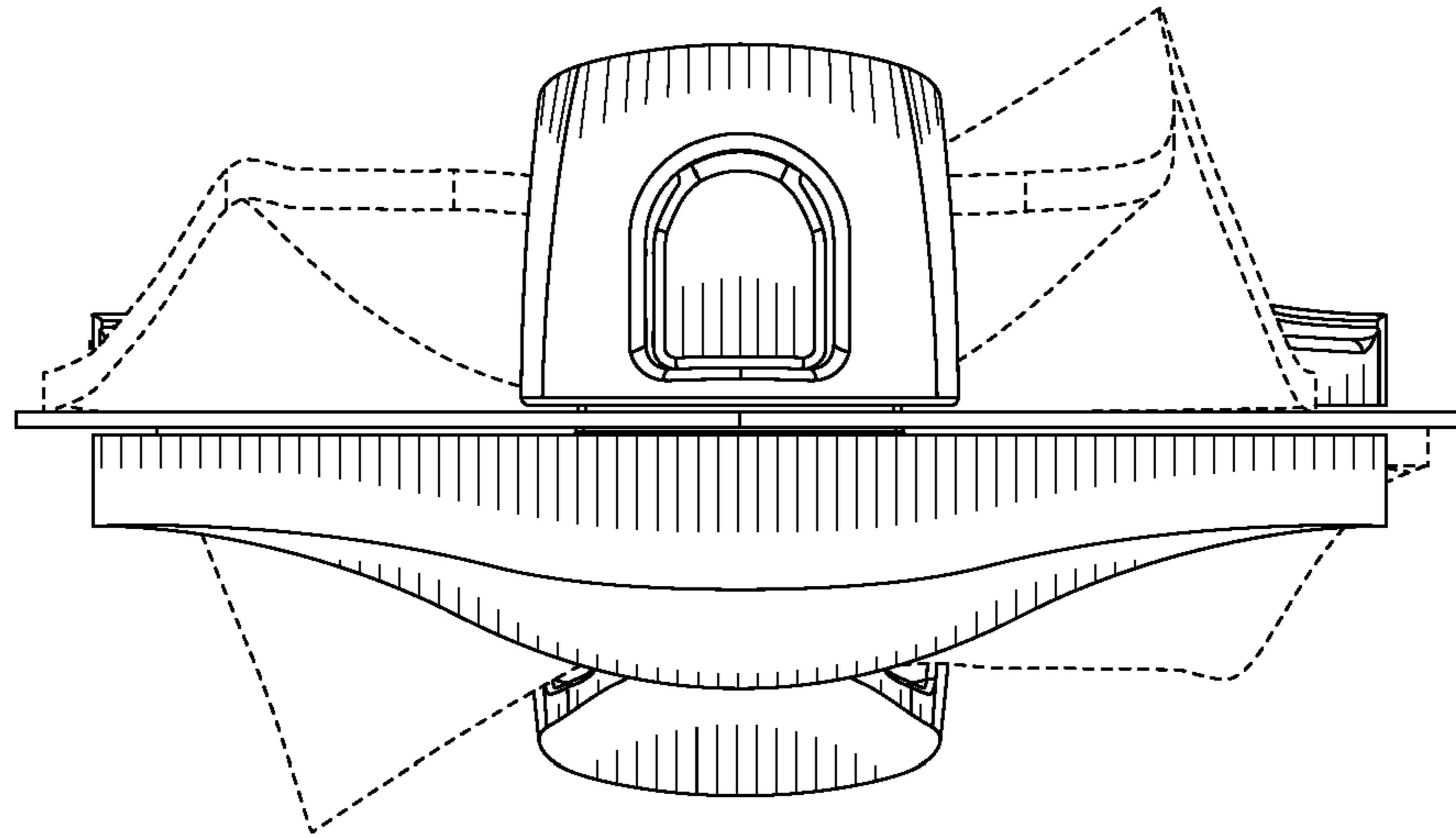


Figure 5

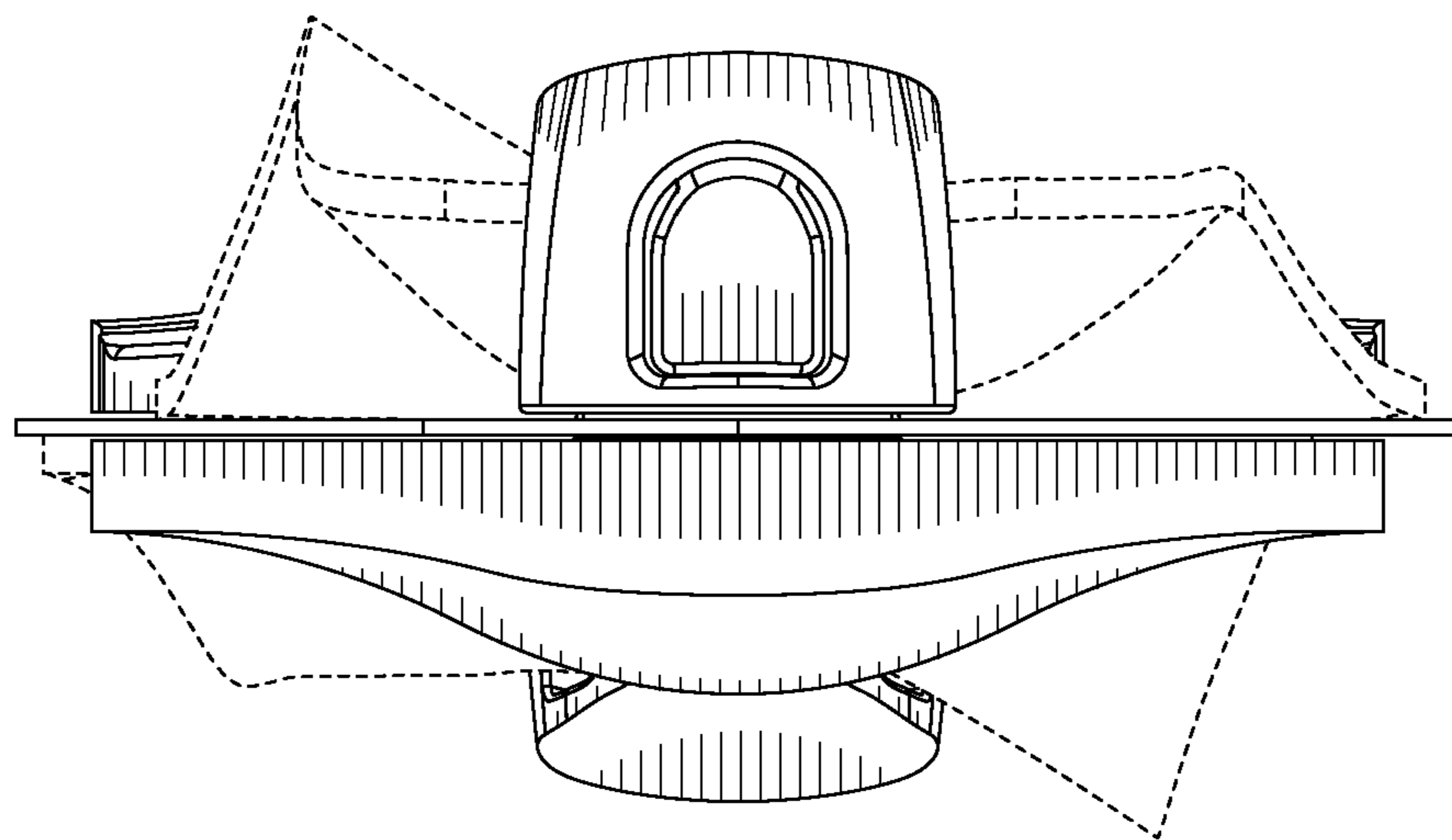


Figure 6

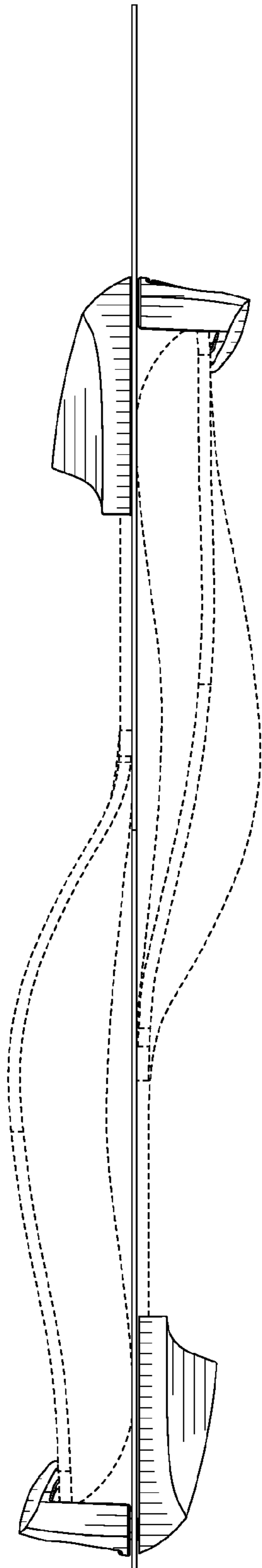


Figure 7

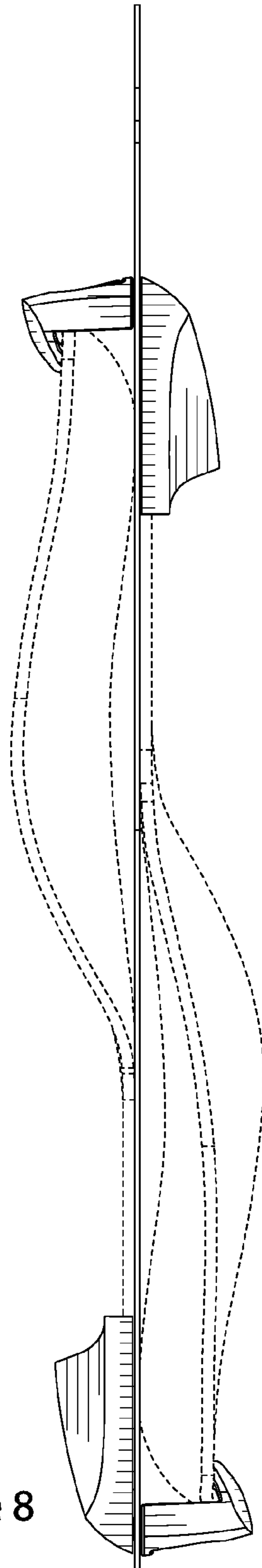


Figure 8