

US00D609560S

(12) **United States Design Patent**
Mchatet

(10) **Patent No.:** **US D609,560 S**
(45) **Date of Patent:** **** Feb. 9, 2010**

(54) **PACKAGING FOR RETRACTABLE MOBILE CHARGER**

D576,873 S * 9/2008 Kim D9/418

* cited by examiner

(76) Inventor: **Hamid Mchatet**, 10900 NW. 21st, Suite 210, Miami, FL (US) 33172

Primary Examiner—Catherine Tuttle
(74) *Attorney, Agent, or Firm*—QuickPatents, Inc.; Kevin Prince

(**) Term: **14 Years**

(21) Appl. No.: **29/328,839**

(57) **CLAIM**

(22) Filed: **Dec. 2, 2008**

I claim the ornamental design for a packaging for retractable mobile charger, as shown and described.

(51) **LOC (9) Cl.** **09-03**

(52) **U.S. Cl.** **D9/415**

(58) **Field of Classification Search** D9/715,
D9/721, 722, 737, 748, 749, 414-434; 206/207,
206/223, 576, 320, 701, 702, 722-728, 349,
206/373, 461-471, 775, 776, 778, 781, 806
See application file for complete search history.

DESCRIPTION

FIG. 1 is an exploded perspective view of the packaging for retractable mobile charger, showing my new design;
FIG. 2 is a bottom plan view thereof;
FIG. 3 is an inverted top plan view thereof;
FIG. 4 is a left side elevational view thereof;
FIG. 5 is a right side elevational view thereof;
FIG. 6 is a front elevational view thereof; and,
FIG. 7 is a rear elevational view thereof.

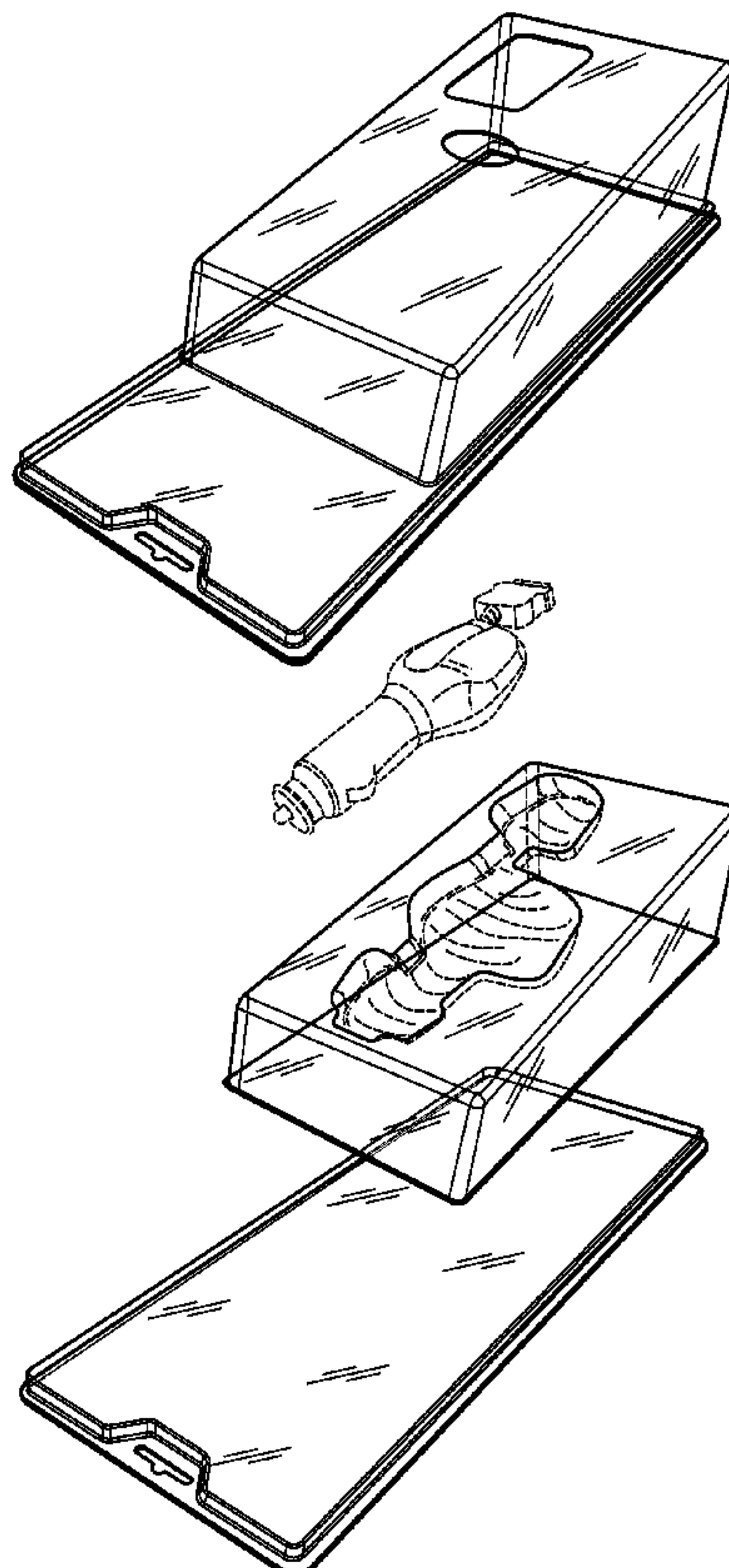
The broken lines showing a retractable mobile charger in FIG. 1 are included for the purpose of illustrating the invention in use, and form no part of the claimed design. The other broken lines are included for the purpose of illustrating a portion of the packaging that forms no part of the claimed design.

(56) **References Cited**

U.S. PATENT DOCUMENTS

4,199,058	A *	4/1980	Lense et al.	206/756
4,742,914	A *	5/1988	Klein	206/461
5,012,927	A *	5/1991	Borst	206/470
5,188,222	A *	2/1993	Pierce	206/756
D411,448	S *	6/1999	Baker	D9/415
D429,637	S *	8/2000	Kumakura et al.	D9/415
D467,172	S *	12/2002	Thompson et al.	D9/415
D494,061	S *	8/2004	Brown	D9/418
D556,564	S *	12/2007	Lee et al.	D9/415

1 Claim, 5 Drawing Sheets



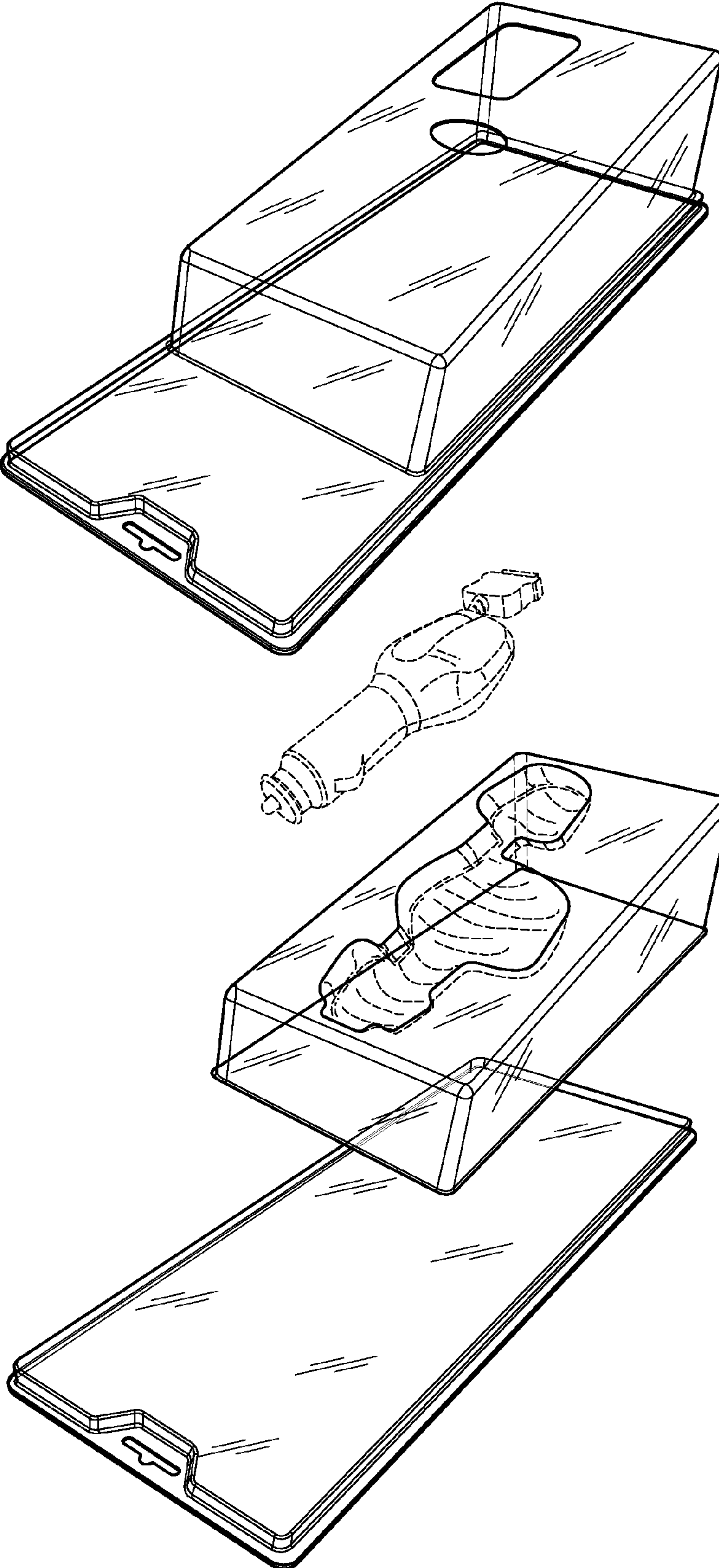


FIG. 1

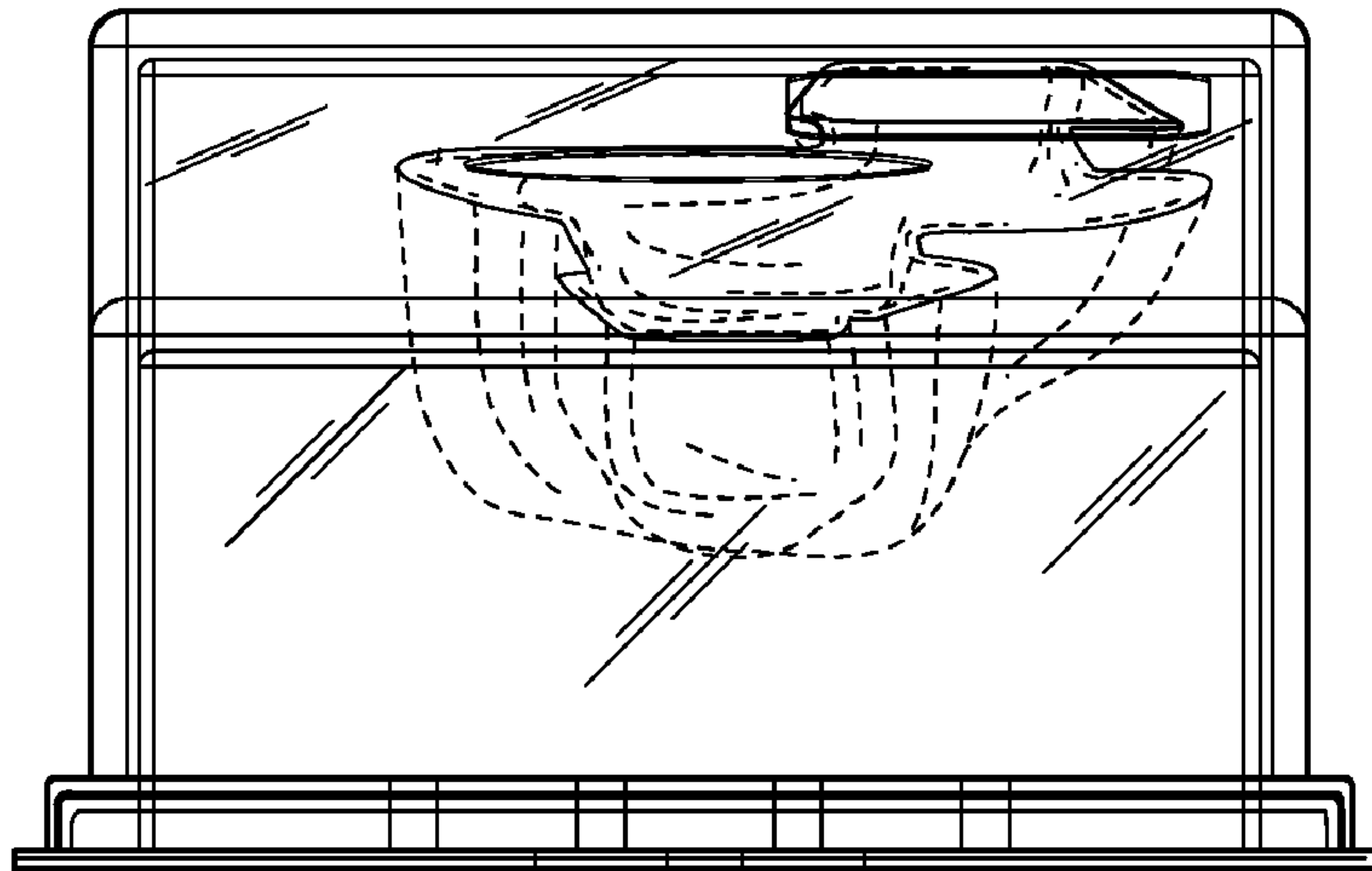


FIG. 2

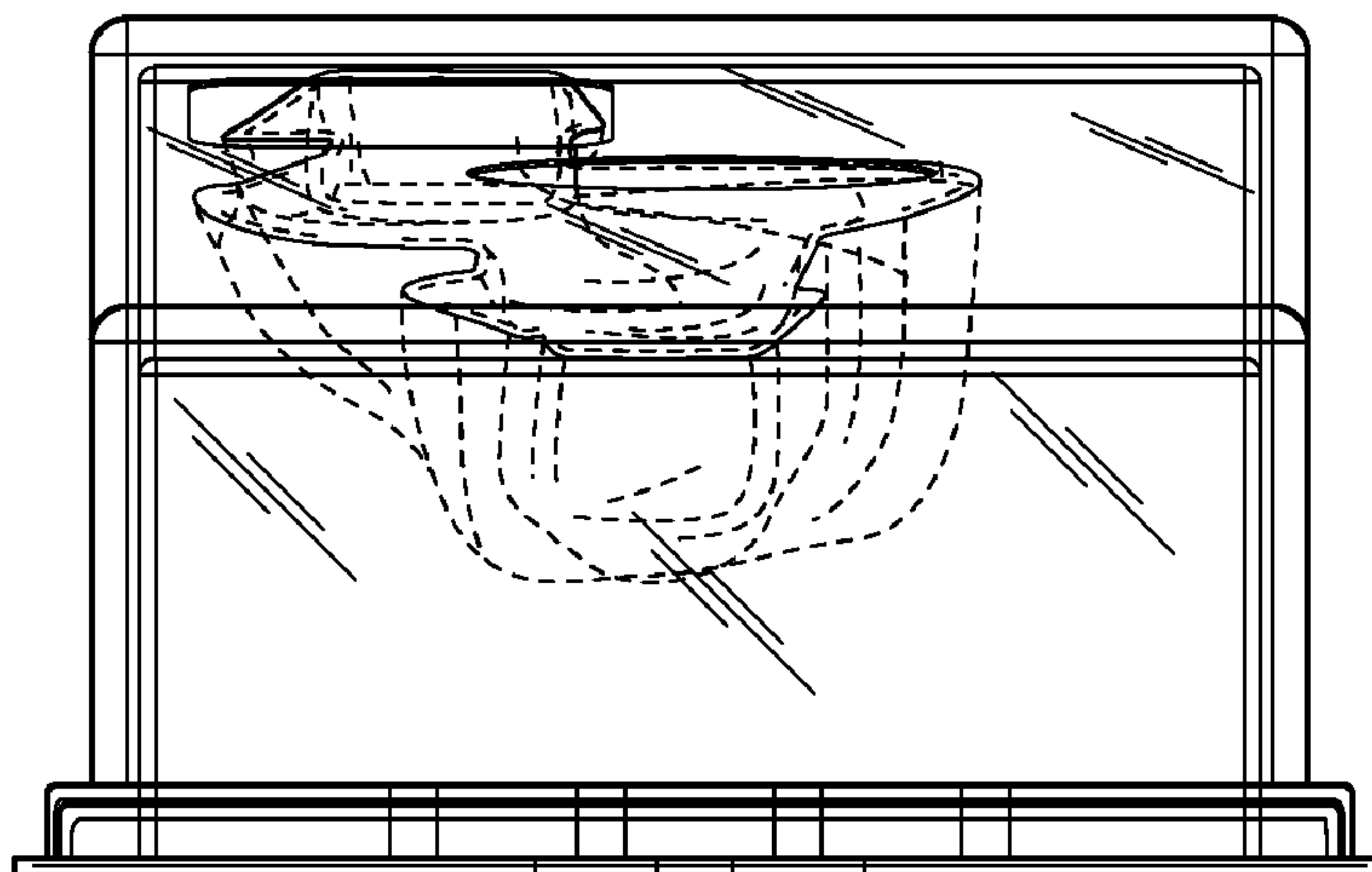


FIG. 3

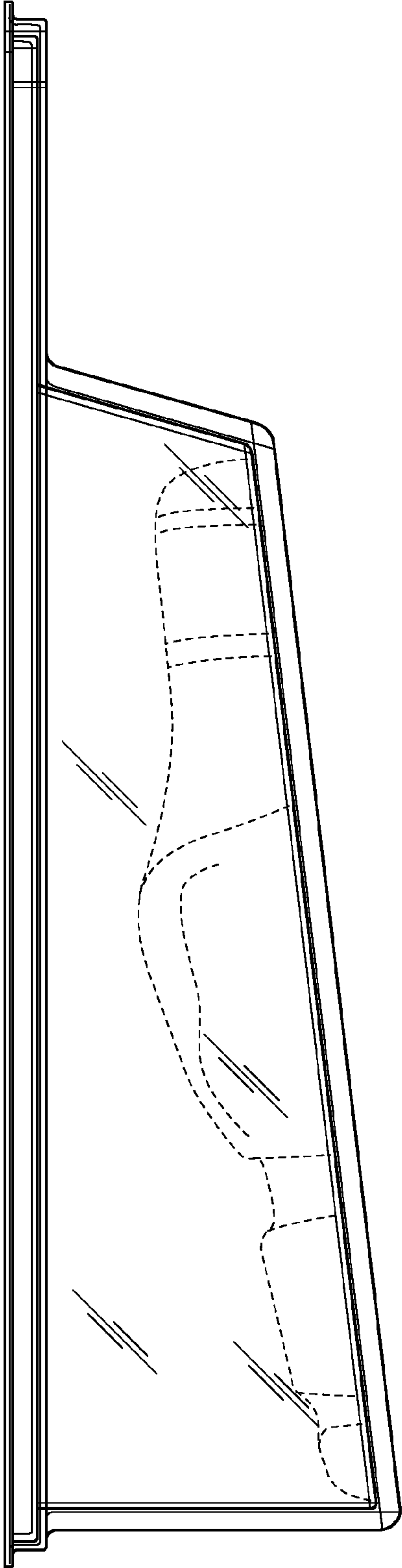


FIG. 4

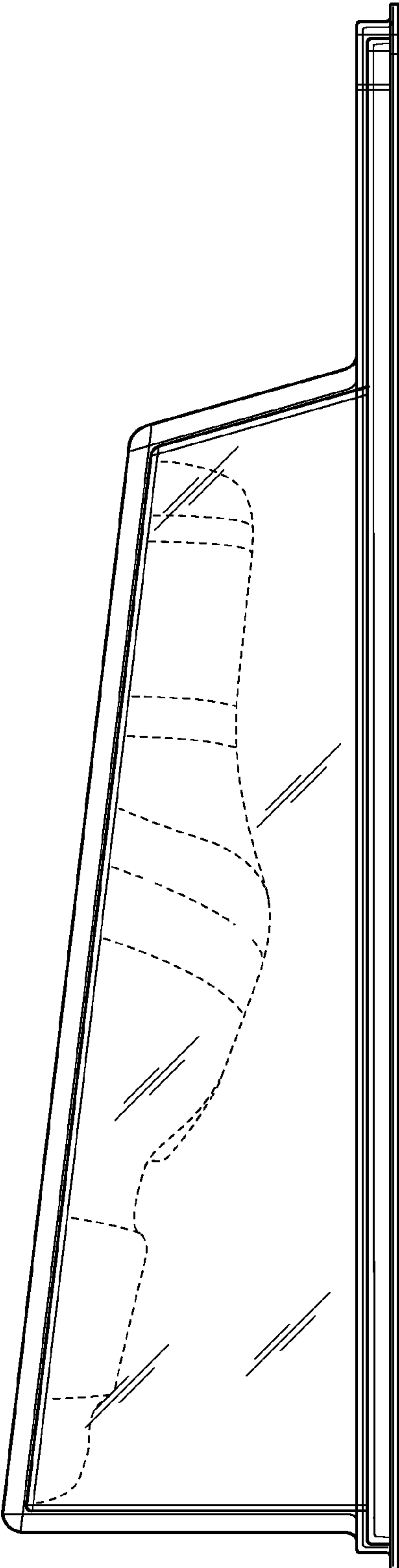


FIG. 5

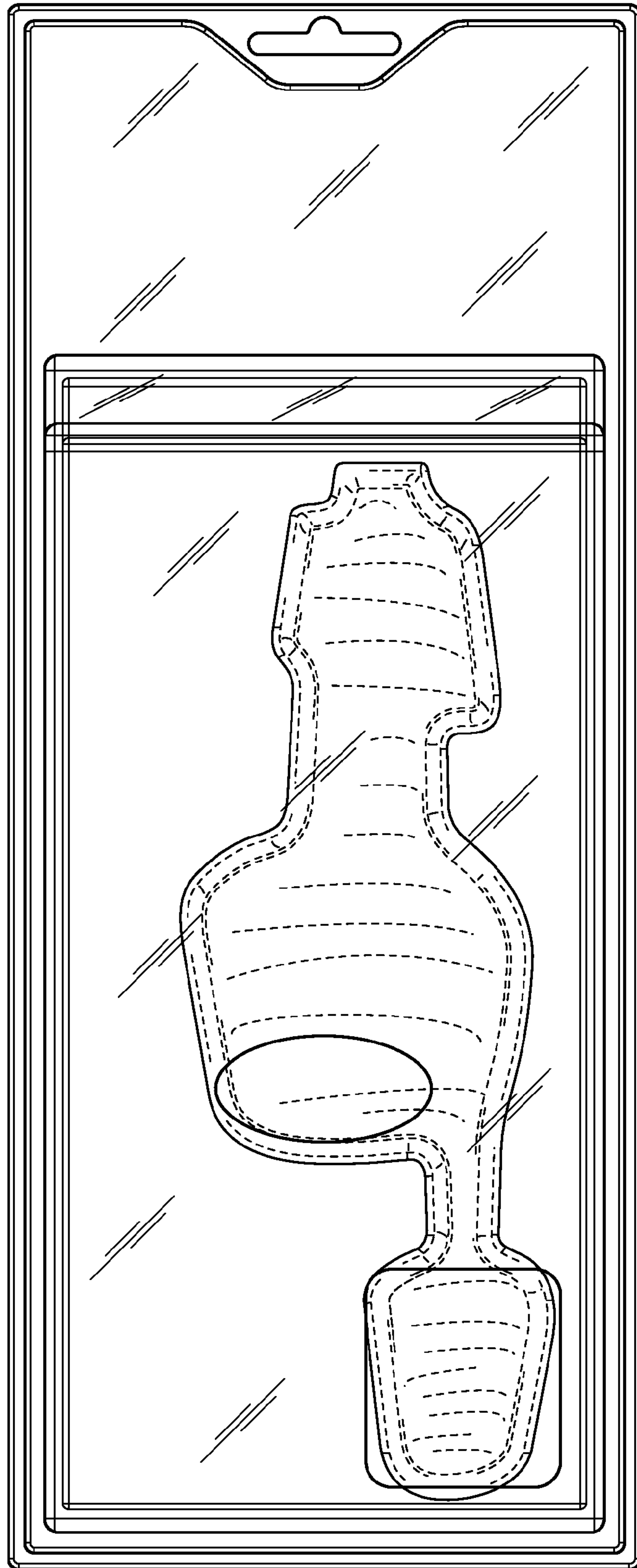


FIG. 6

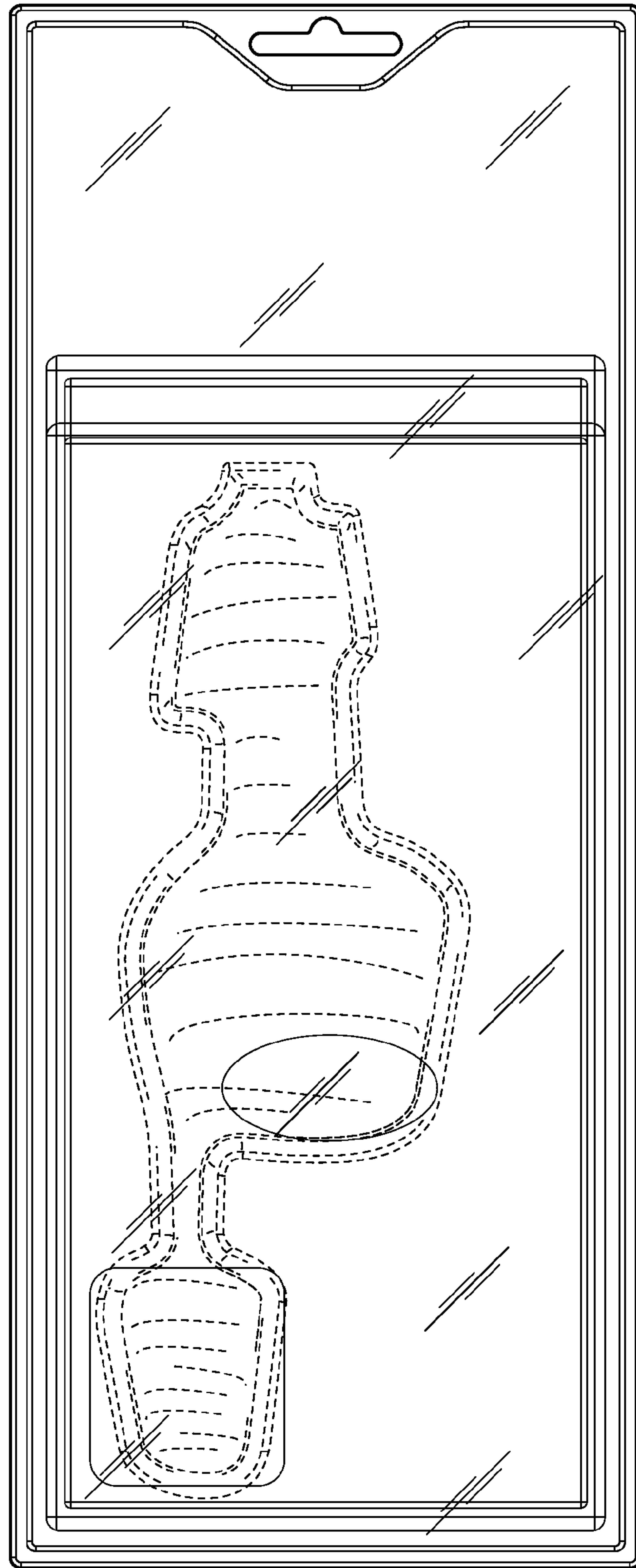


FIG. 7