



US00D609559S

(12) **United States Design Patent**
Pendergrast et al.

(10) **Patent No.:** **US D609,559 S**
(45) **Date of Patent:** **** Feb. 9, 2010**

(54) **ATTACHMENT CLIP**

(75) Inventors: **Ian Howard Pendergrast**, Woodcroft (AU); **Garry Bruno Seidl**, Ceduna (AU)

(73) Assignee: **Hexcyl Systems Pty Ltd** (AU)

(**) Term: **14 Years**

(21) Appl. No.: **29/338,702**

(22) Filed: **Jun. 17, 2009**

(30) **Foreign Application Priority Data**

Dec. 19, 2008 (AU) 15977/2008

(51) **LOC (9) Cl.** **08-08**

(52) **U.S. Cl.** **D8/395**

(58) **Field of Classification Search** D8/354,
D8/356, 371, 394-396; D19/65, 86; D24/128;
248/74.2, 215, 227.1, 49, 300, 301, 316.7,
248/51, 489; 24/570, 3.12; D32/61; 128/205.25,
128/202.27, 912

See application file for complete search history.

(56) **References Cited**

U.S. PATENT DOCUMENTS

350,850	A *	10/1886	Tatum	251/10
D24,588	S *	8/1895	Macphail	D8/367
D216,872	S *	3/1970	Serie	D8/372
D272,887	S *	3/1984	Parton	D8/395
5,285,556	A *	2/1994	Shorin et al.	24/487
D414,291	S *	9/1999	Gary et al.	D26/138
D471,788	S *	3/2003	Gebara	D8/354
D494,849	S *	8/2004	Jones et al.	D8/395
D510,018	S *	9/2005	Tognolini	D8/395
D531,018	S *	10/2006	Jackson et al.	D8/395
7,516,930	B2 *	4/2009	Chen	248/304
2002/0047073	A1 *	4/2002	Deciry et al.	248/49

2005/0127249 A1* 6/2005 Chen 248/118
2008/0042026 A1* 2/2008 Winig et al. 248/220.22

OTHER PUBLICATIONS

Australian Registration AU 323712 S, Date registered: Jan. 9, 2009, 1 page.

* cited by examiner

Primary Examiner—T. Chase Nelson

Assistant Examiner—John Windmuller

(74) *Attorney, Agent, or Firm*—Lerner, David, Littenberg, Krumholz & Mentlik, LLP

(57) **CLAIM**

The ornamental design for an attachment clip, as shown and described.

DESCRIPTION

FIG. 1 is a top perspective view of an attachment clip in accordance with the present invention.

FIG. 2 is a bottom perspective view of the attachment clip shown in FIG. 1.

FIG. 3 is a top, plan view of the attachment clip shown in FIG. 1.

FIG. 4 is a bottom, plan view of the attachment clip shown in FIG. 1.

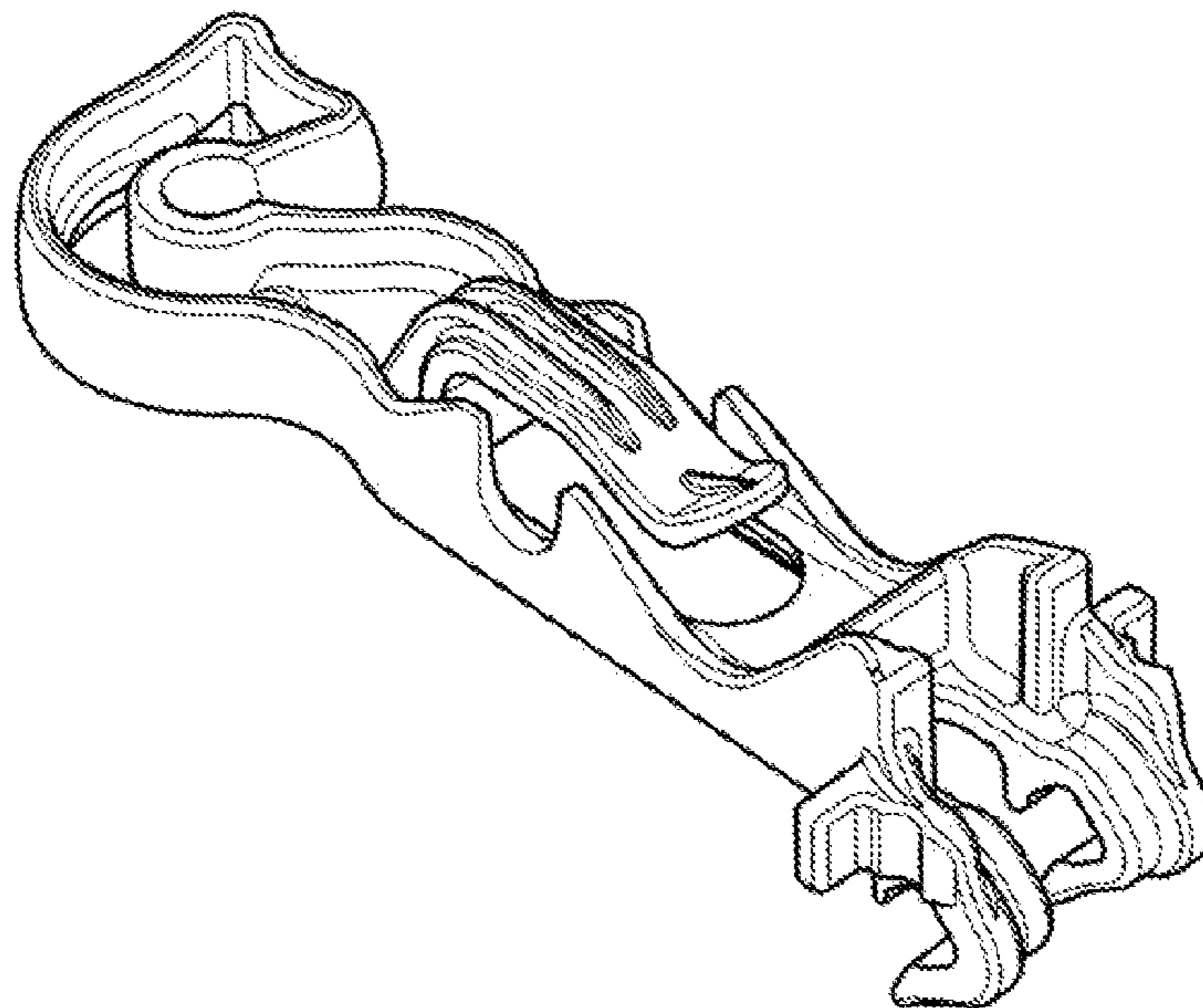
FIG. 5 is a left side, plan view of the attachment clip shown in FIG. 1.

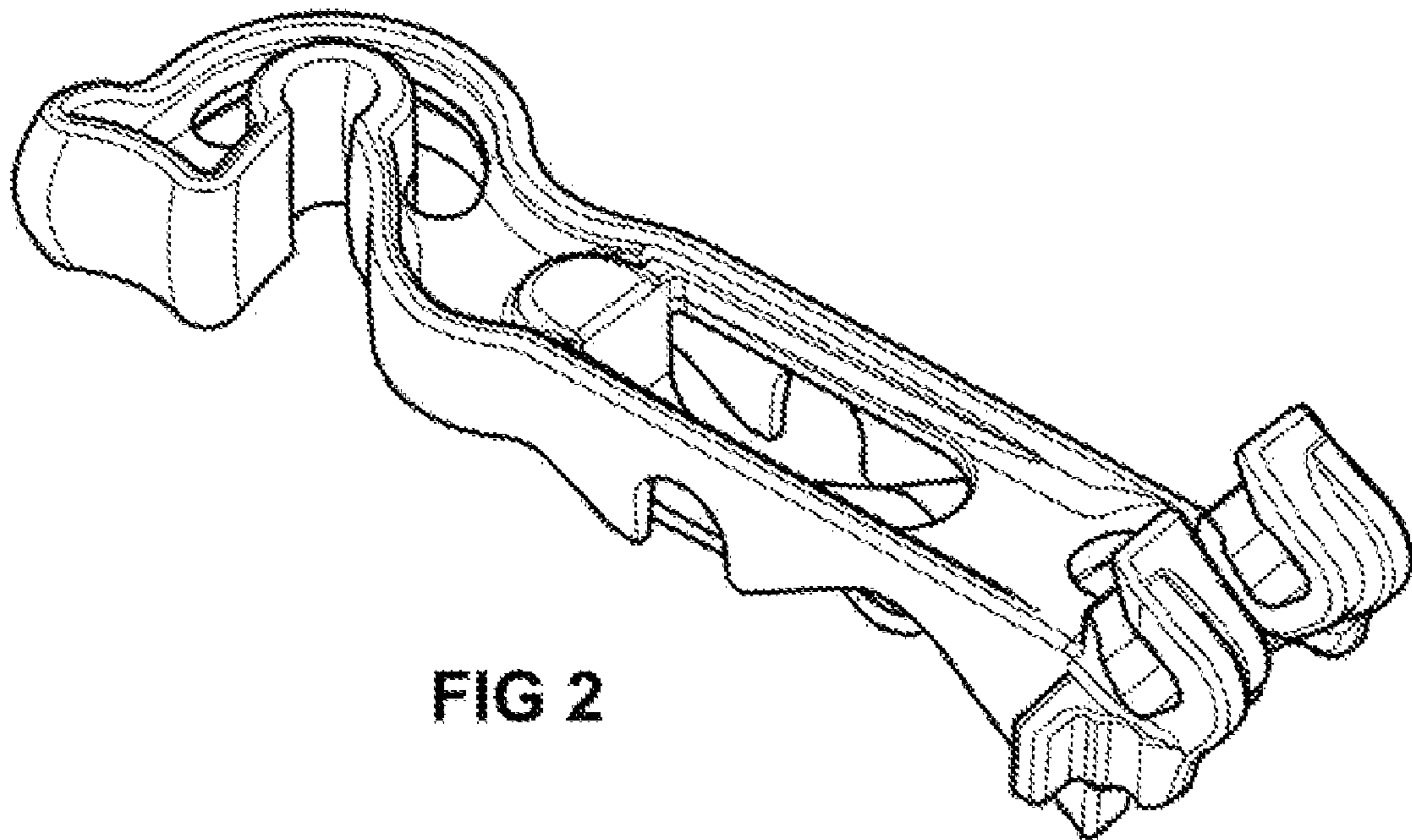
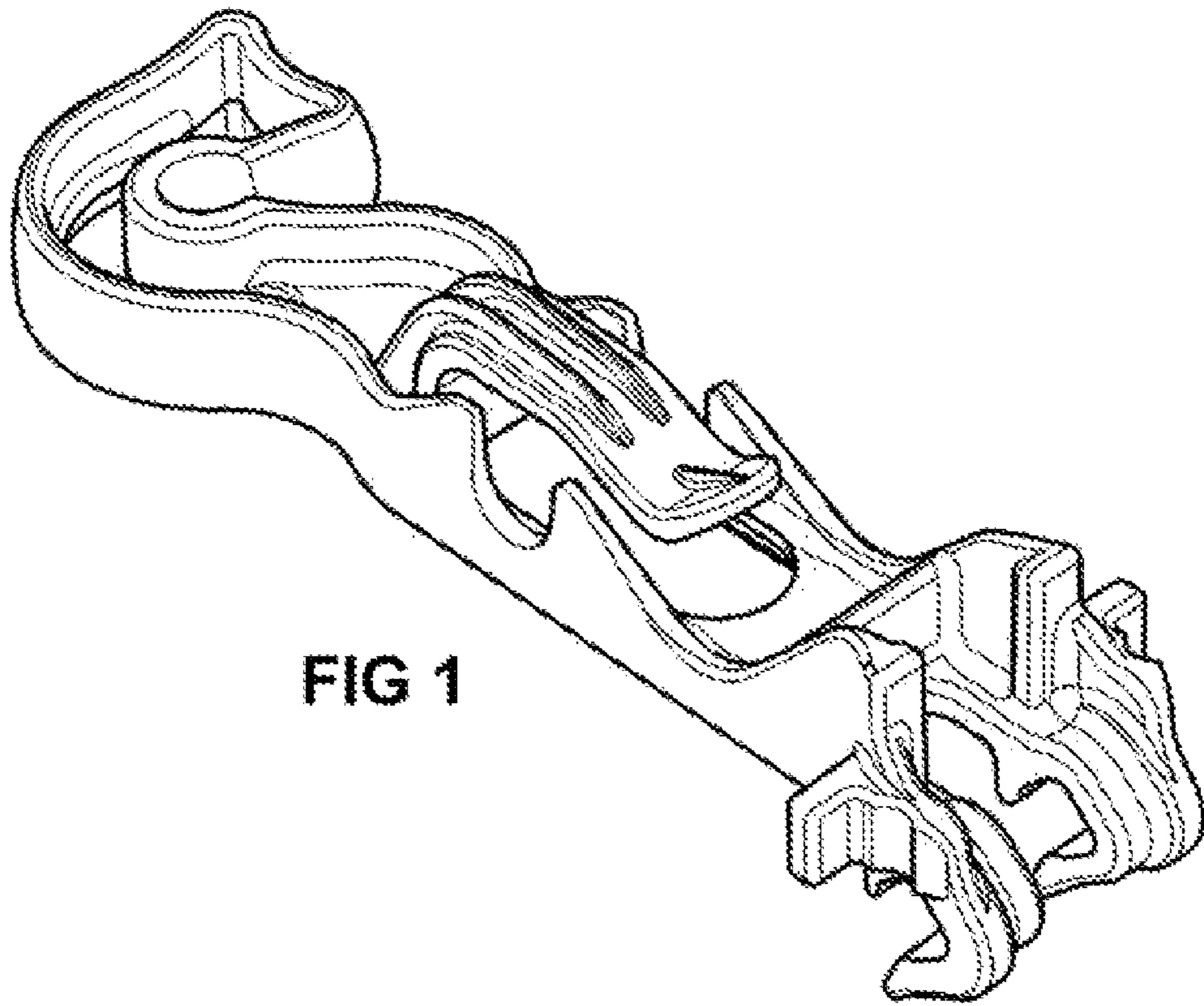
FIG. 6 is a right side, plan view of the attachment clip shown in FIG. 1.

FIG. 7 is an end, plan view of the attachment clip shown in FIG. 1; and,

FIG. 8 is a cross-sectional, plan view taken along line 8—8 of the attachment clip shown in FIG. 3.

1 Claim, 4 Drawing Sheets





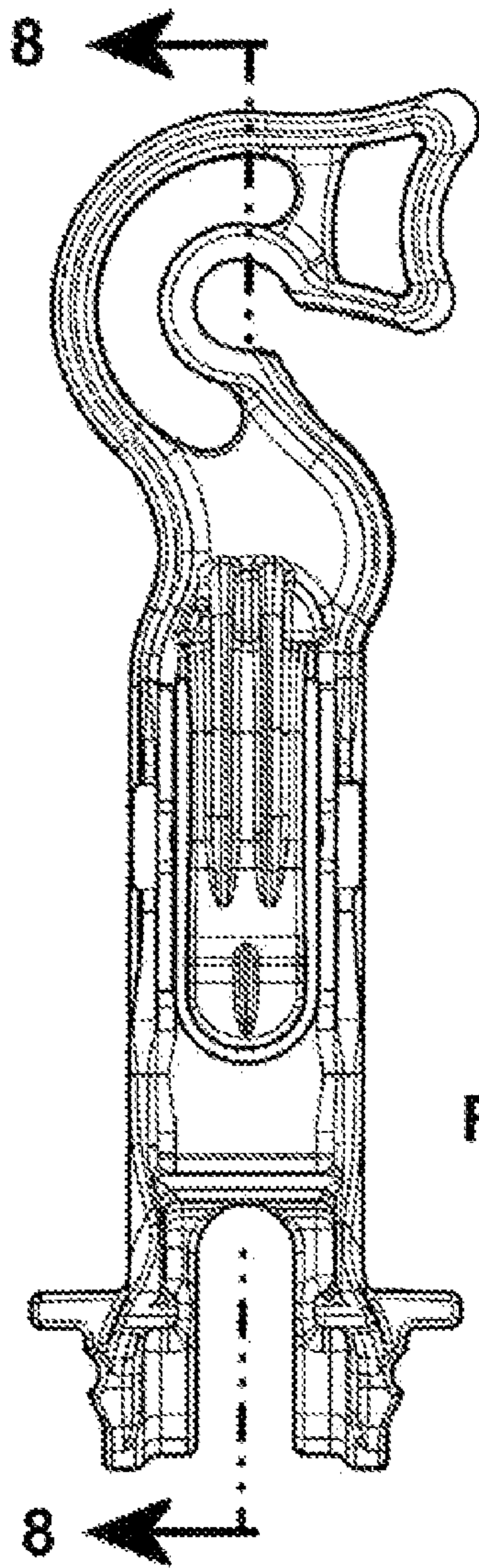


FIG 3

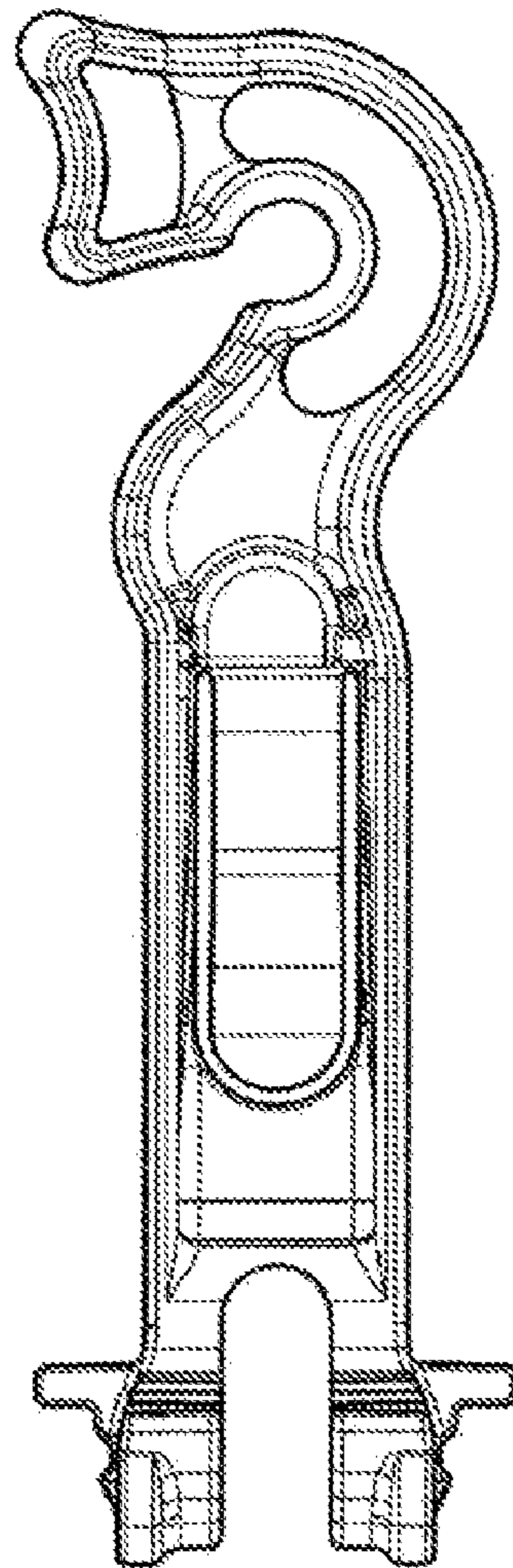


FIG 4

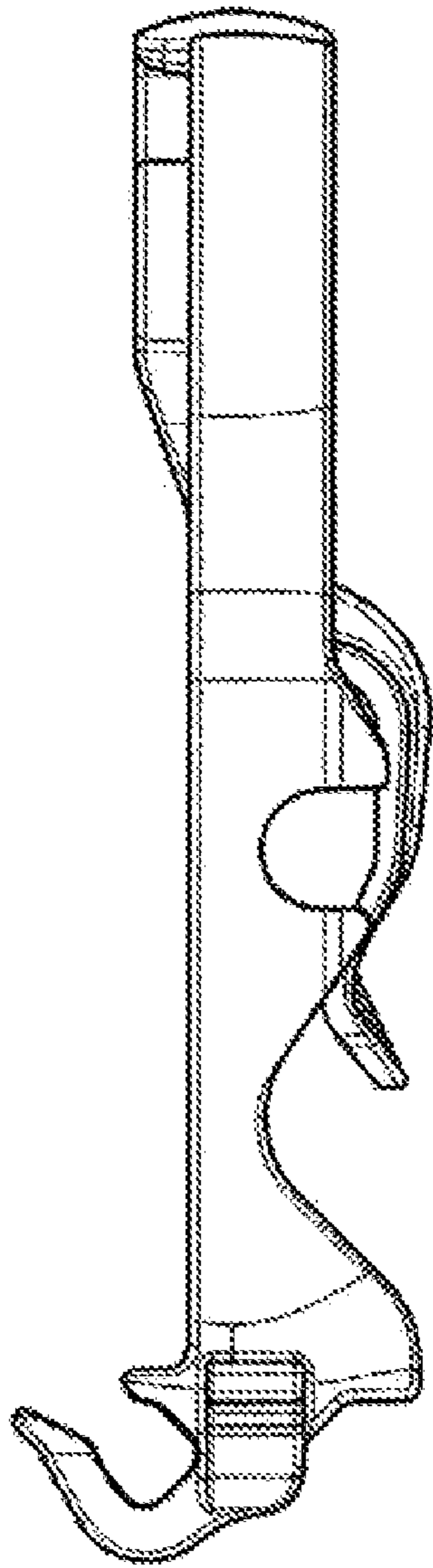


FIG 5

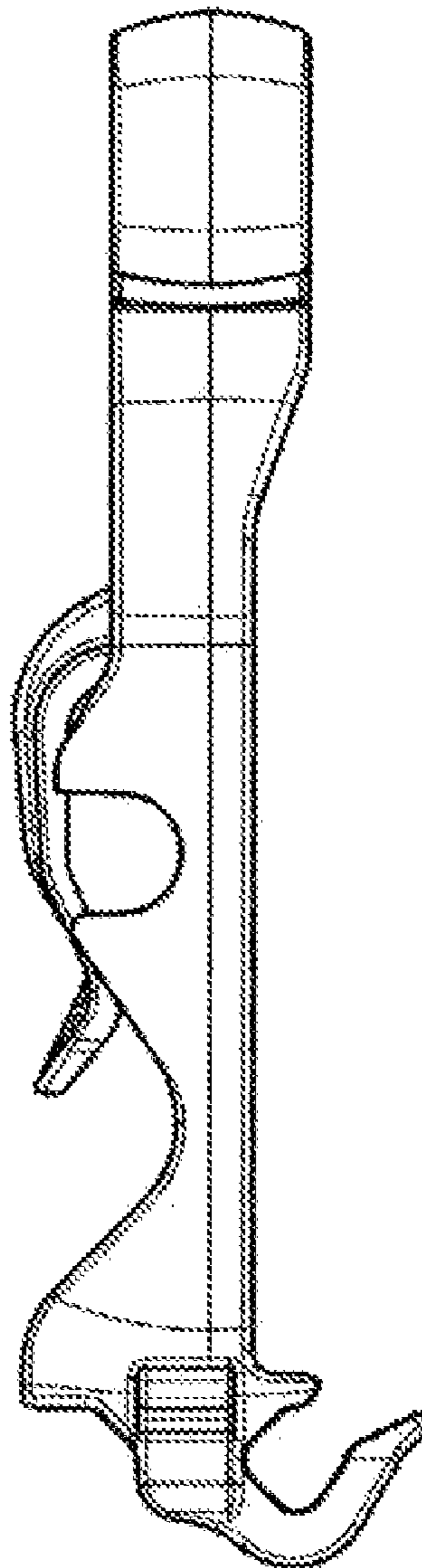


FIG 6

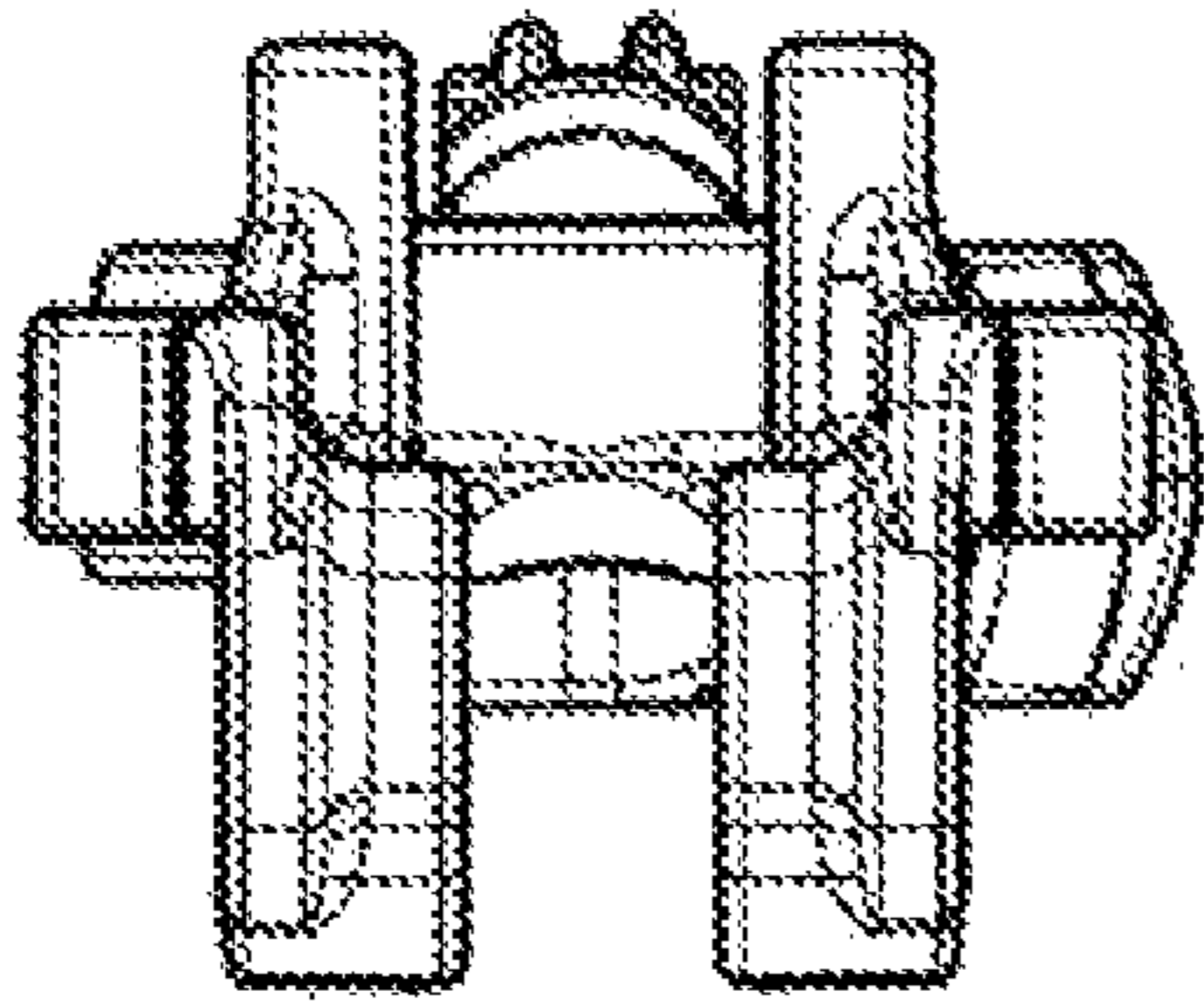


FIG 7

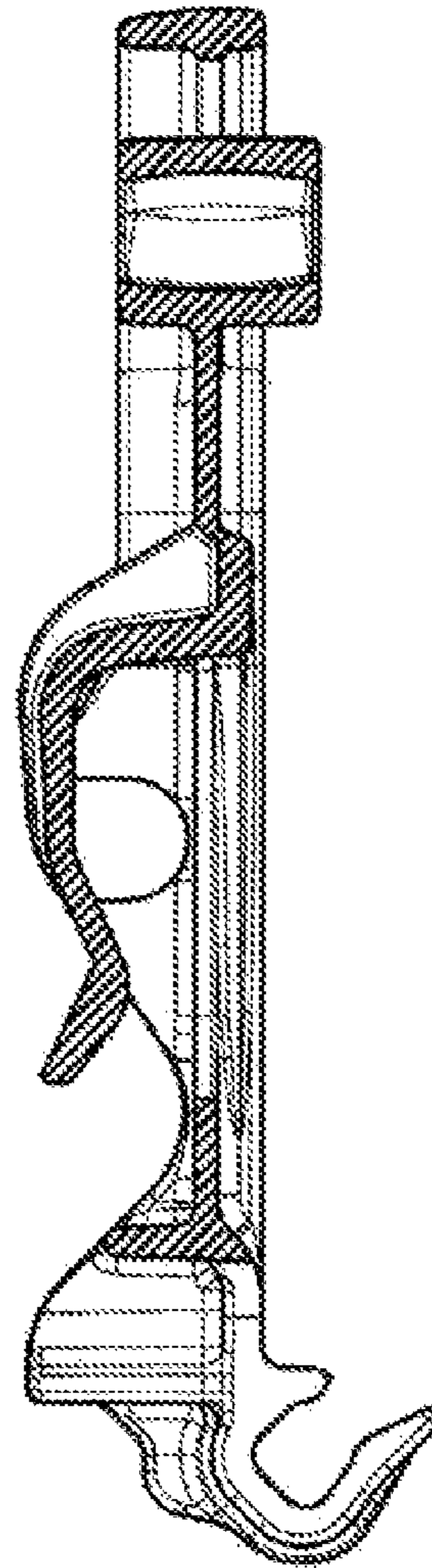


FIG 8