



US00D609558S

(12) **United States Design Patent**  
**Pilarski**

(10) **Patent No.:** **US D609,558 S**

(45) **Date of Patent:** **\*\* Feb. 9, 2010**

(54) **VISOR CLIP**

(76) Inventor: **Michael Pilarski**, 80510 Wales, Romeo,  
MI (US) 48065

(\*\*) Term: **14 Years**

(21) Appl. No.: **29/326,641**

(22) Filed: **Oct. 22, 2008**

**Related U.S. Application Data**

(63) Continuation-in-part of application No. 11/538,946,  
filed on Oct. 5, 2006, now abandoned.

(51) **LOC (9) Cl.** ..... **08-08**

(52) **U.S. Cl.** ..... **D8/395**

(58) **Field of Classification Search** ..... D8/354,  
D8/356, 371, 394-396; D19/65, 86; D24/128;  
248/74.2, 215, 227.1, 49, 300, 301, 316.7,  
248/51, 489; 24/570, 3.12, 3.3; D32/61;  
D11/78.1; D16/310, 900; 351/47, 155, 158;  
2/10; 211/119.003

See application file for complete search history.

(56) **References Cited**

**U.S. PATENT DOCUMENTS**

D377,364 S *	1/1997	Dinges	.....	D16/304
6,233,788 B1 *	5/2001	Choy et al.	.....	24/3.12
6,247,205 B1 *	6/2001	Damadian et al.	.....	24/3.12
D485,162 S *	1/2004	Wadsworth et al.	.....	D8/395
7,568,250 B2 *	8/2009	Menard-Flanagan	.....	7/151

2003/0126722 A1 *	7/2003	Thompson	.....	24/3.12
2004/0200793 A1 *	10/2004	Hardy	.....	211/119.003
2007/0024805 A1 *	2/2007	Sasaki	.....	351/47

\* cited by examiner

*Primary Examiner*—T. Chase Nelson

*Assistant Examiner*—John Windmuller

(74) *Attorney, Agent, or Firm*—John A. Artz; Dickinson  
Wright PLLC

(57) **CLAIM**

The ornamental design for the visor clip, as shown and  
described.

**DESCRIPTION**

FIG. 1 is a perspective view of the visor clip in accordance  
with the present invention;

FIG. 2 is a front elevational view of the visor clip in accor-  
dance with the present invention;

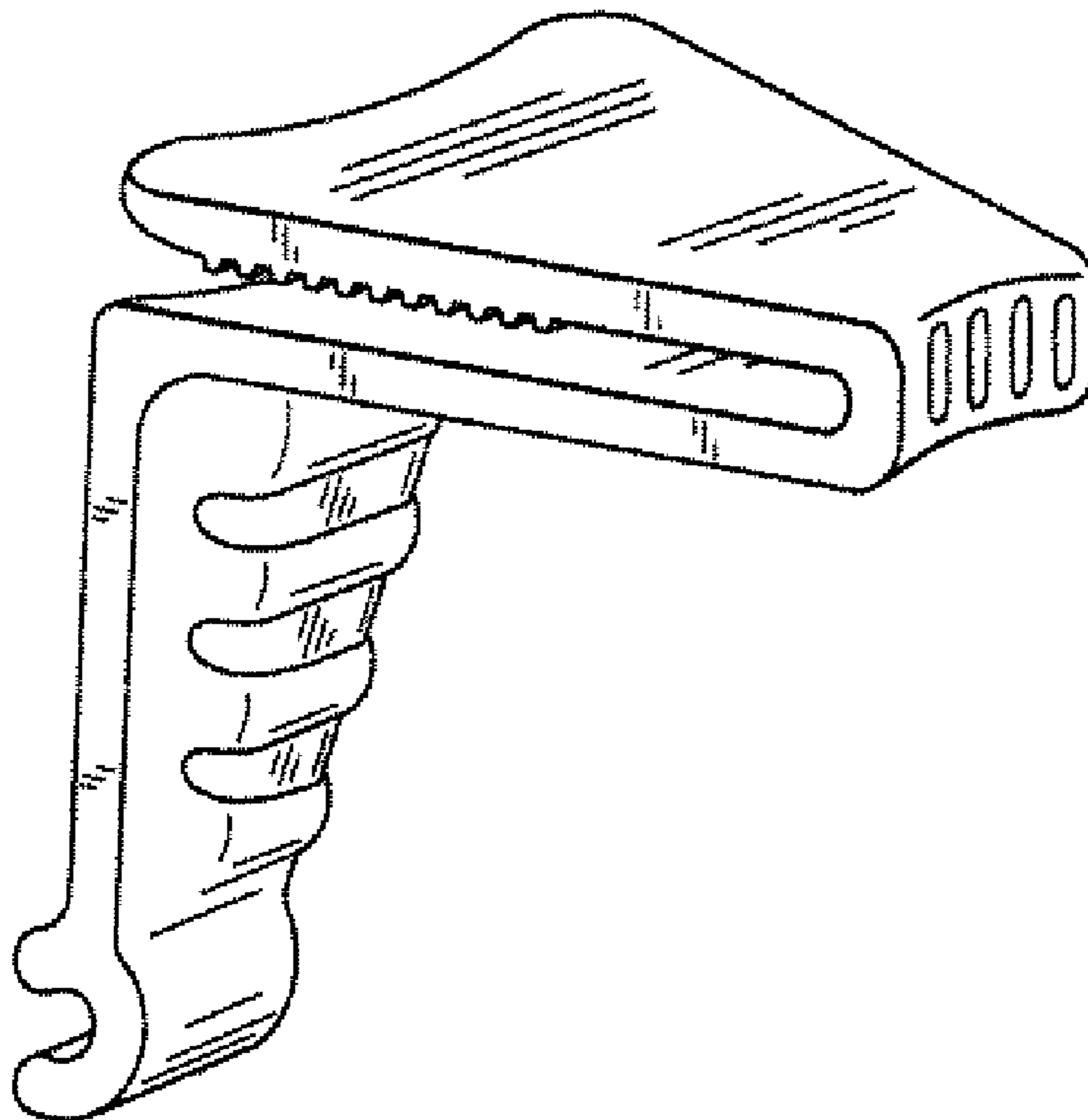
FIG. 3 is a right side view of the visor clip in accordance with  
the present invention, with the left side view being a mirror  
image thereof;

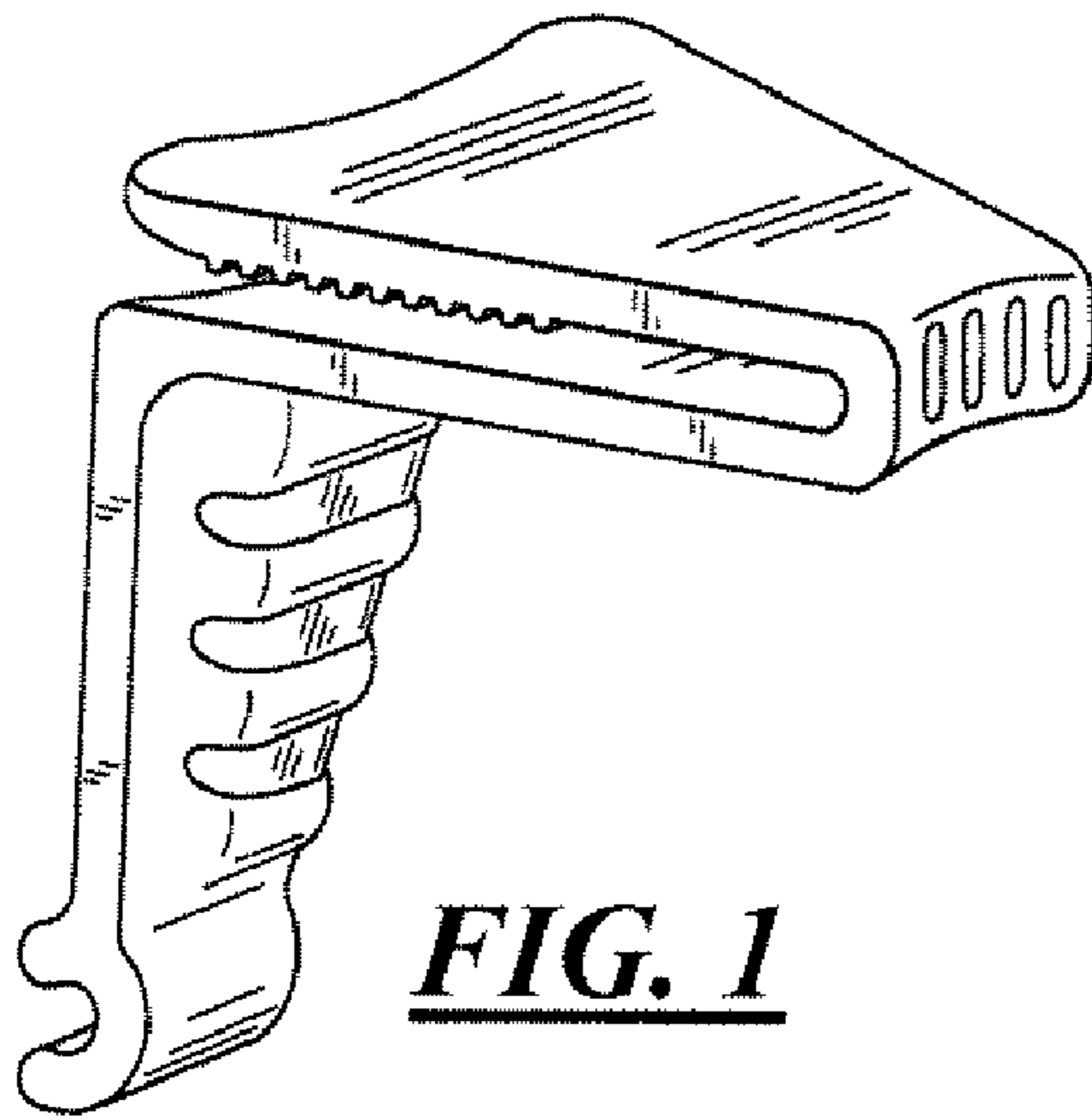
FIG. 4 is a back elevational view of the visor clip in accor-  
dance with the present invention;

FIG. 5 is a bottom elevational view of the visor clip in accor-  
dance with the present invention; and,

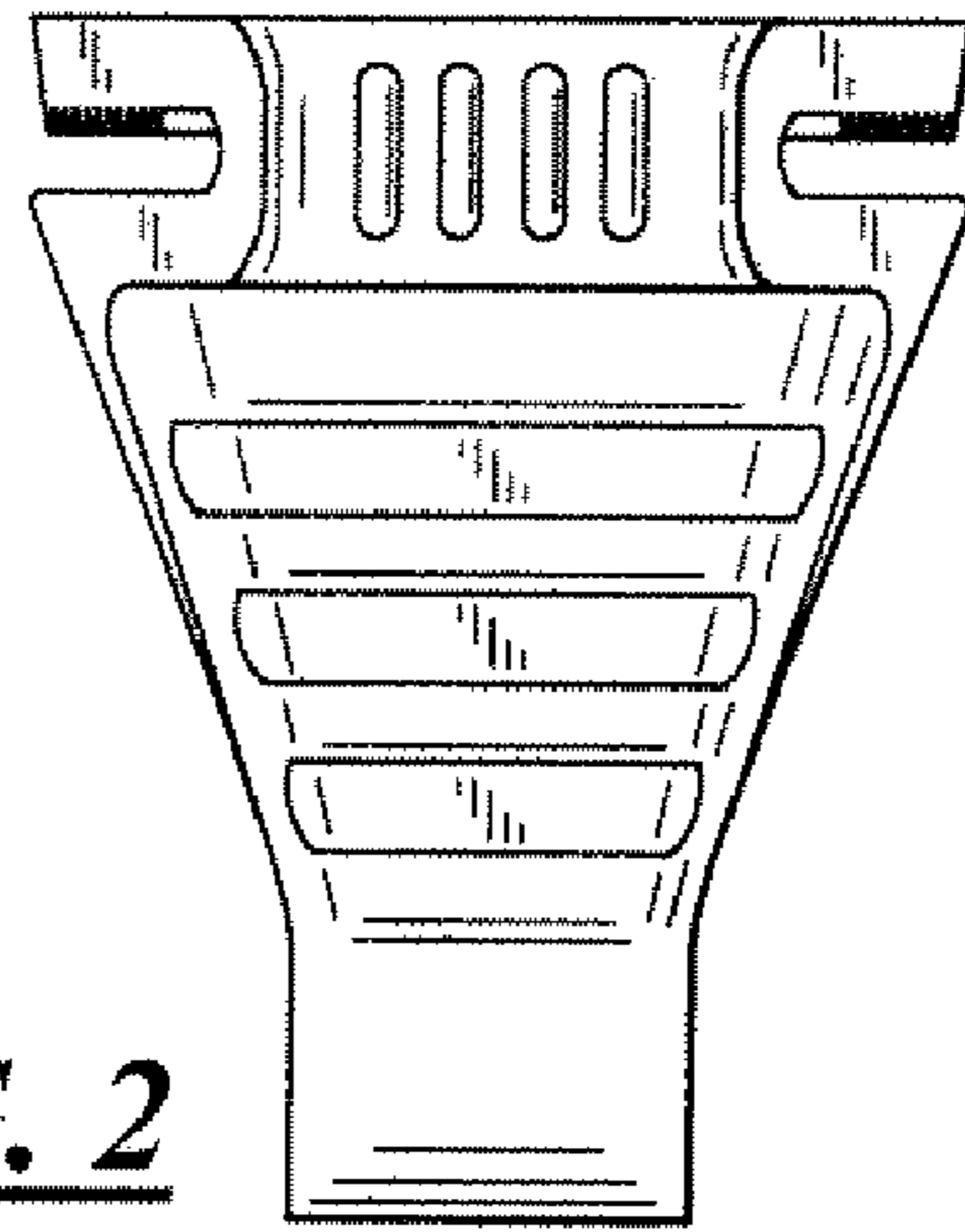
FIG. 6 is a top elevational view of the visor clip in accordance  
with the present invention.

**1 Claim, 1 Drawing Sheet**

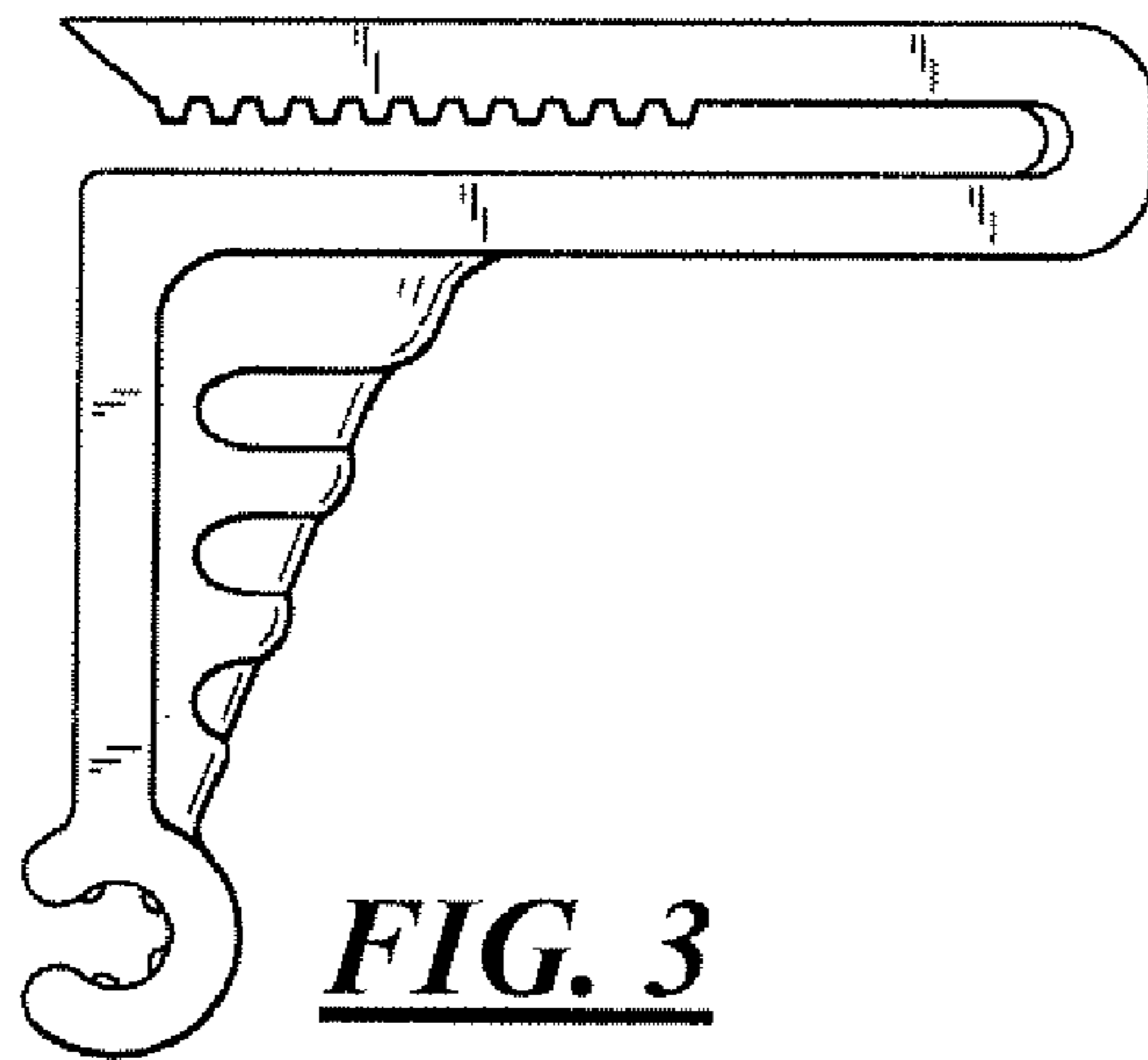




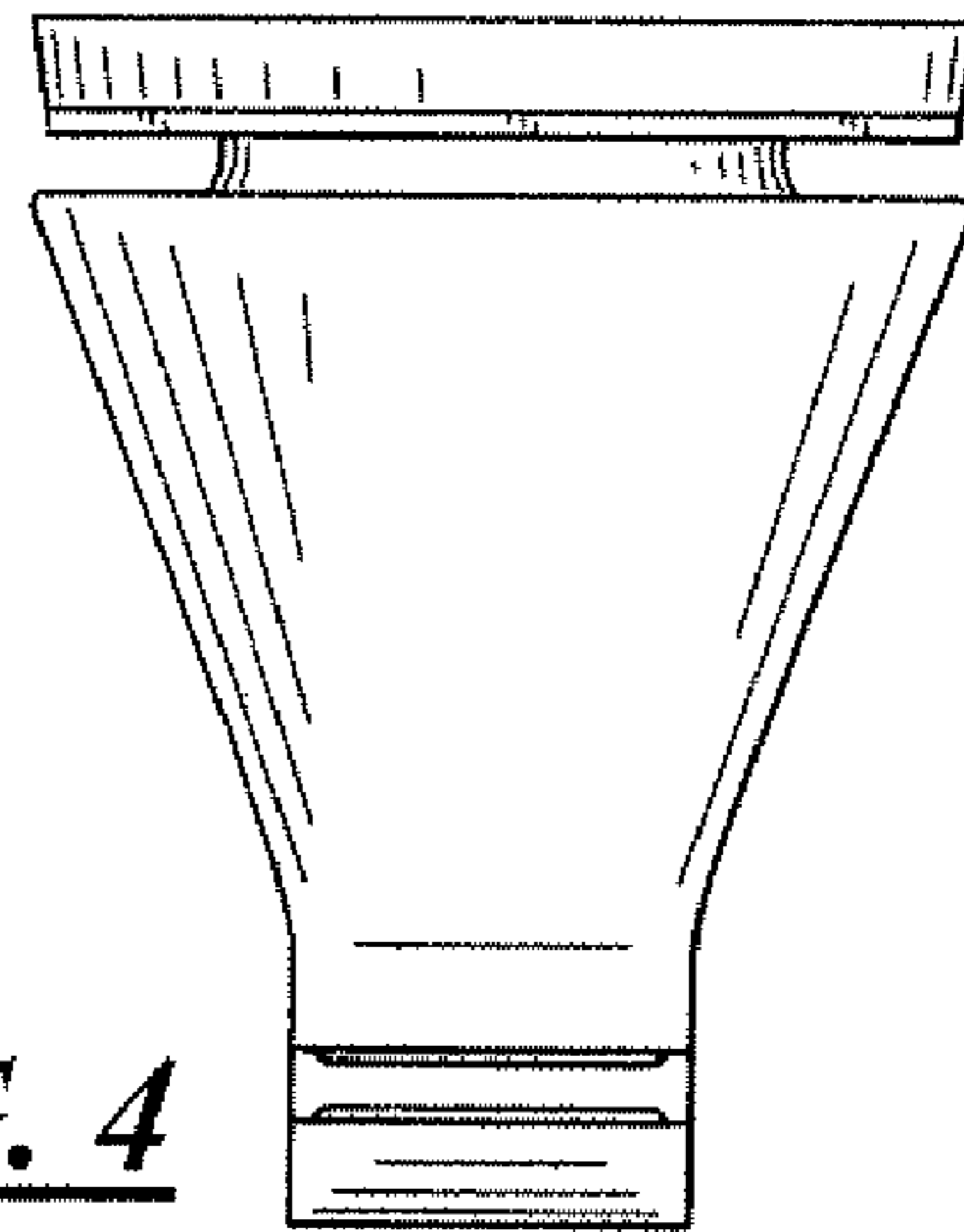
**FIG. 1**



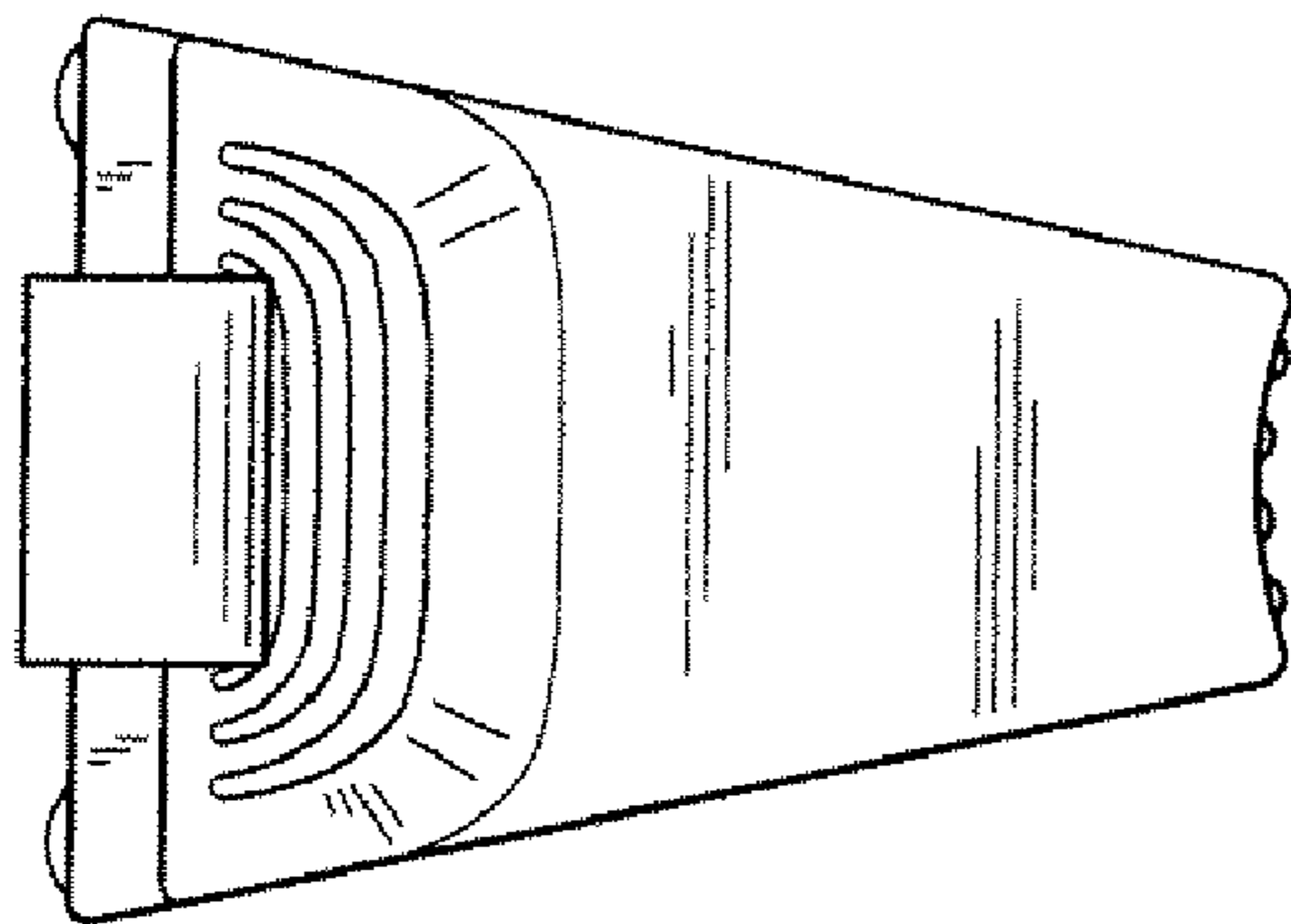
**FIG. 2**



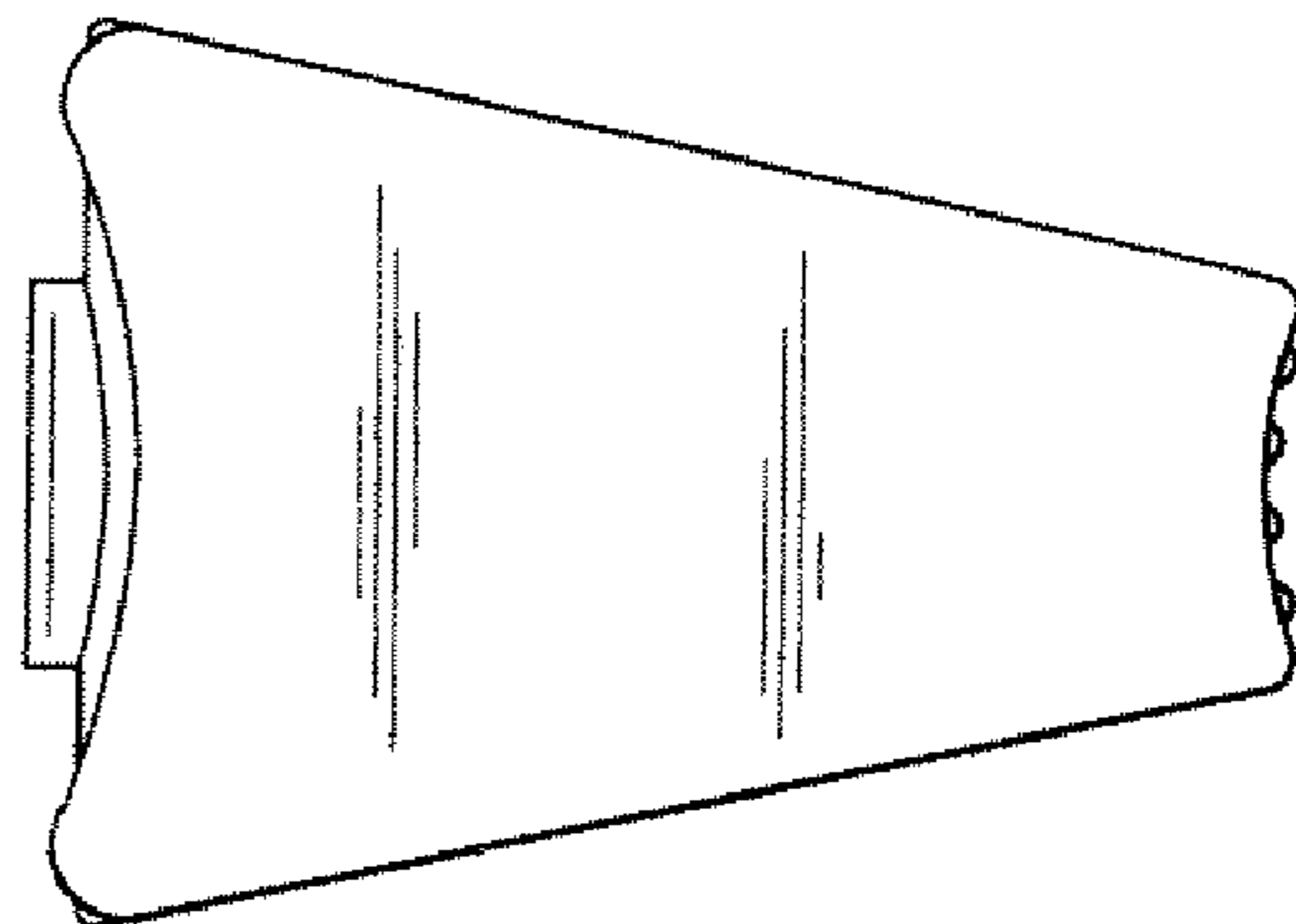
**FIG. 3**



**FIG. 4**



**FIG. 5**



**FIG. 6**