



US00D609556S

(12) **United States Design Patent**
Adams

(10) **Patent No.:** **US D609,556 S**
(45) **Date of Patent:** **** Feb. 9, 2010**

(54) **DOOR HOOK HAVING SUPPORT LEG**

(75) Inventor: **William E. Adams**, Portersville, PA
(US)

(73) Assignee: **Adams Mfg. Corp.**, Portersville, PA
(US)

(**) Term: **14 Years**

(21) Appl. No.: **29/330,632**

(22) Filed: **Jan. 12, 2009**

(51) **LOC (9) Cl.** **08-05**

(52) **U.S. Cl.** **D8/367**

(58) **Field of Classification Search** D8/301,
D8/302, 367, 371, 372, 373, 382, 395; D10/83,
D10/99; 248/74.2, 100, 201, 214, 215, 216.1,
248/218.1, 231, 231.91, 243, 301, 302, 303,
248/304, 309.1, 322, 339, 340, 467, 493,
248/496, 497, 498, 547; 16/413; 24/265 H,
24/563, 907; 211/13.1, 60.1, 65, 66, 87.01;
404/134; D19/34.1, 91; D6/323, 553; D26/37;
D22/149

See application file for complete search history.

(56) **References Cited**

U.S. PATENT DOCUMENTS

D342,889 S 1/1994 Adams
5,413,297 A 5/1995 Adams
D360,355 S 7/1995 Adams
D360,572 S 7/1995 Adams

5,535,971 A 7/1996 Adams
D377,080 S * 12/1996 Johnston D22/149
5,607,131 A 3/1997 Adams
D455,947 S * 4/2002 Goodman et al. D8/367
D480,947 S * 10/2003 Snell D8/372
6,854,610 B2 2/2005 Adams
7,185,864 B2 3/2007 Adams
7,207,088 B2 4/2007 Adams et al.

* cited by examiner

Primary Examiner—Robert M Spear

Assistant Examiner—Barbara B Lohr

(74) *Attorney, Agent, or Firm*—Buchanan Ingersoll &
Rooney PC

(57) **CLAIM**

An ornamental design for a door hook having support leg, as shown and described.

DESCRIPTION

FIG. 1 is a front view of my door hook having support leg;

FIG. 2 is a right side view thereof;

FIG. 3 is a back view thereof;

FIG. 4 is a left side view thereof;

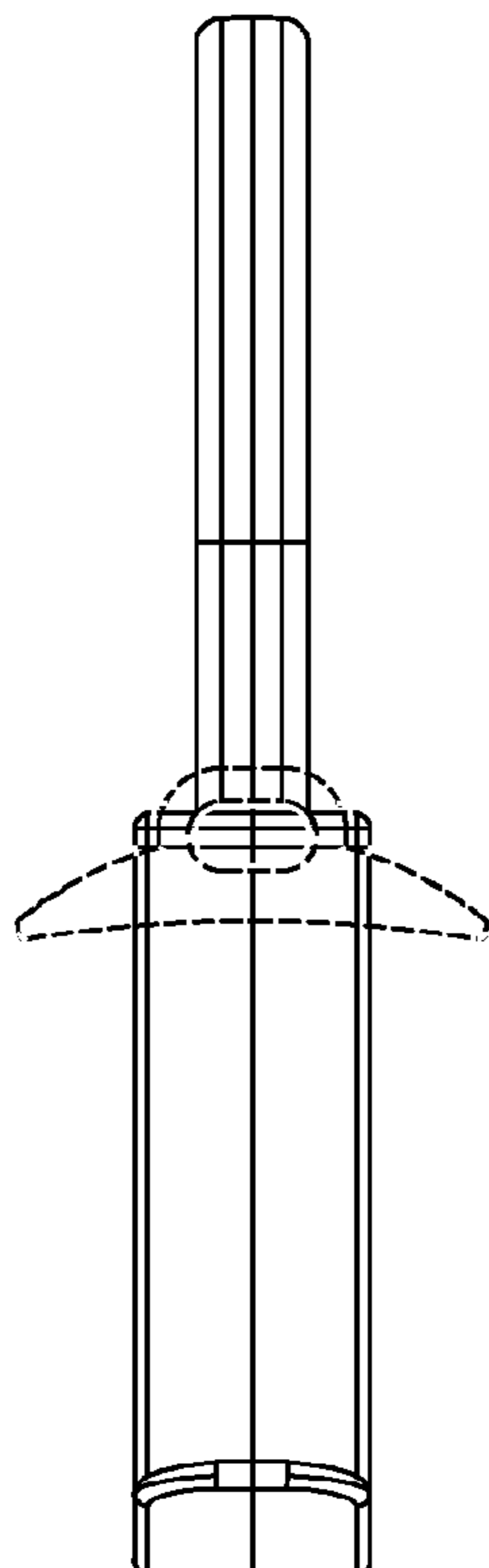
FIG. 5 is a top view thereof;

FIG. 6 is a bottom view thereof; and,

FIG. 7 is a front isometric view thereof.

The optional pad shown in broken line in the drawings forms no part of the claimed design.

1 Claim, 6 Drawing Sheets



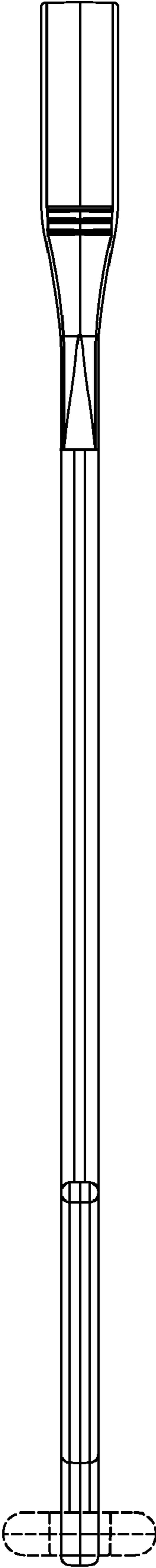


FIG. 1

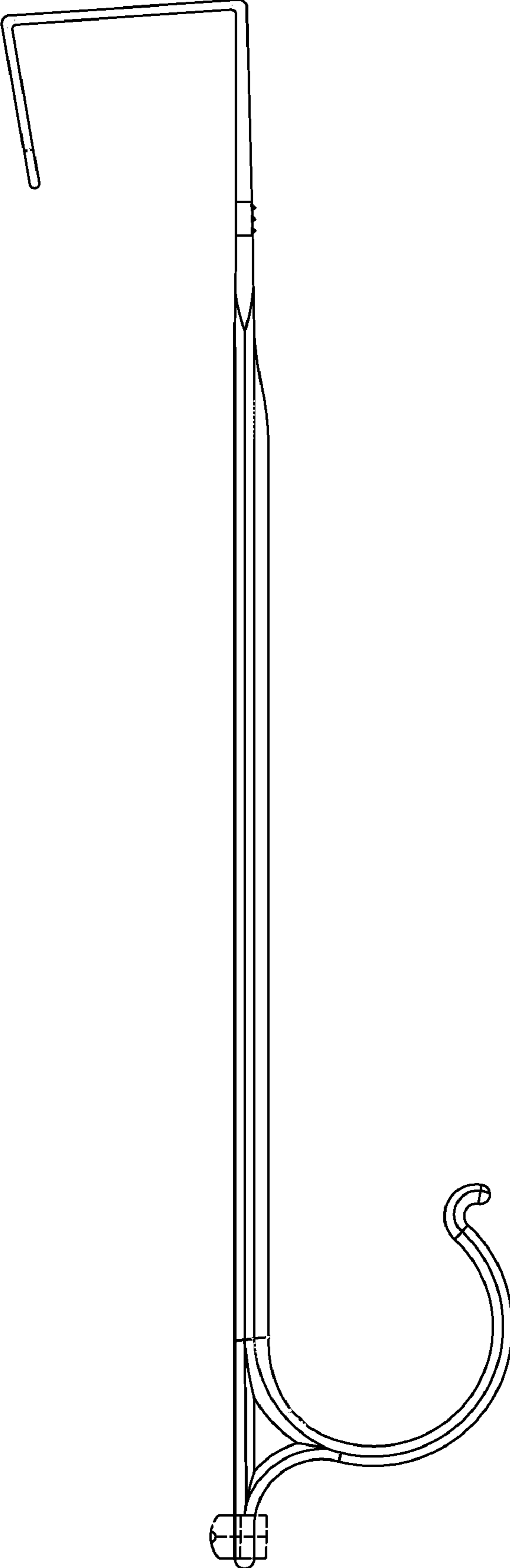


FIG. 2

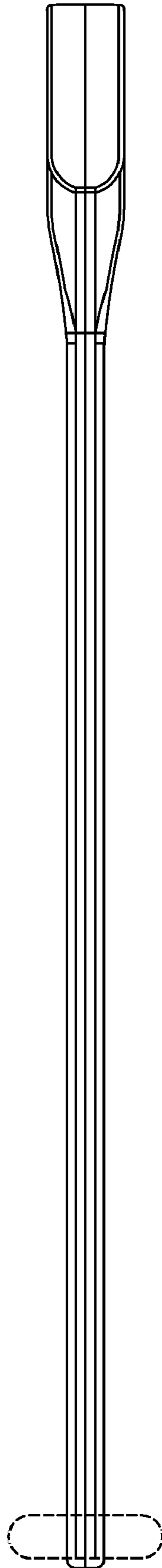


FIG. 3

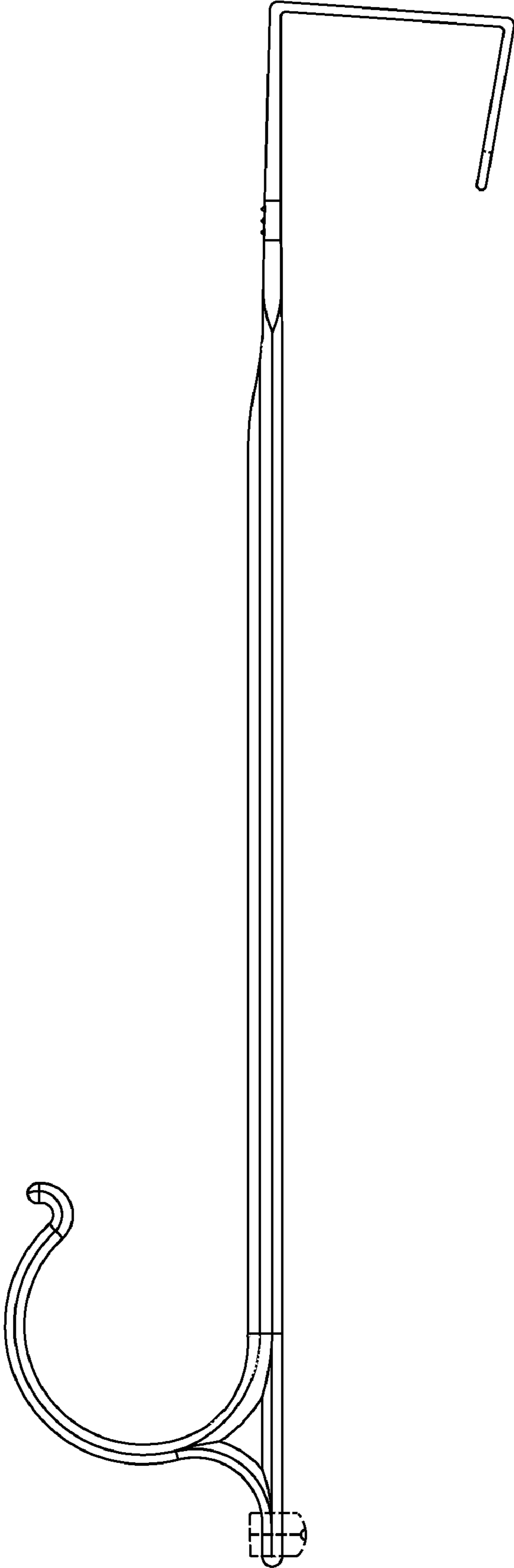


FIG. 4

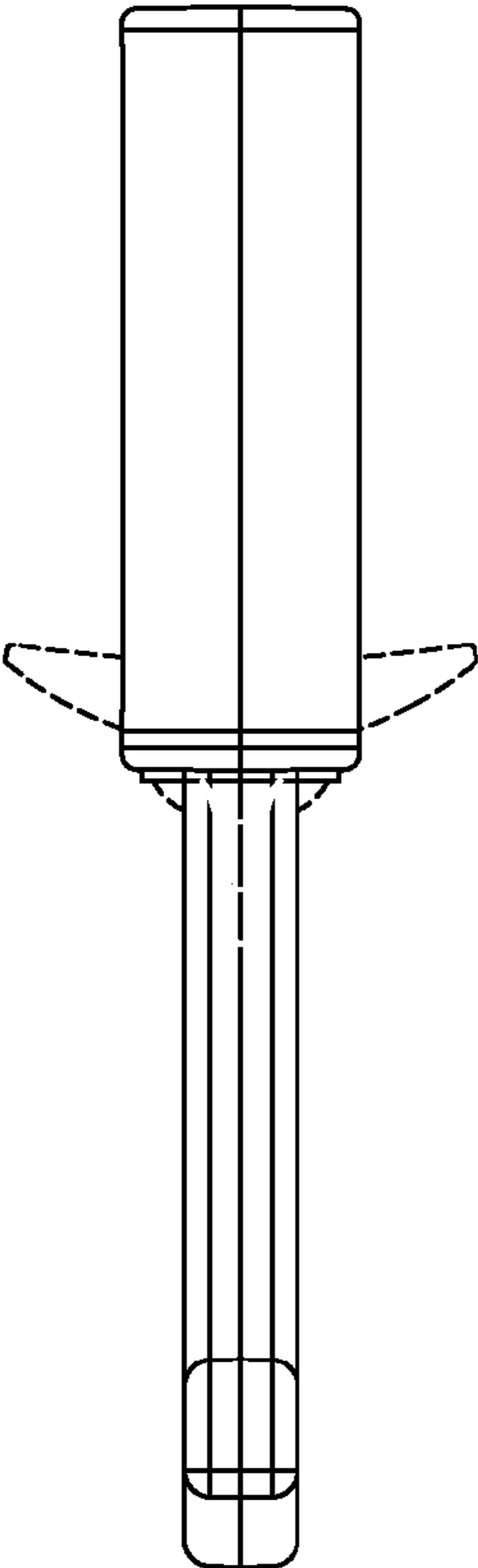


FIG. 5

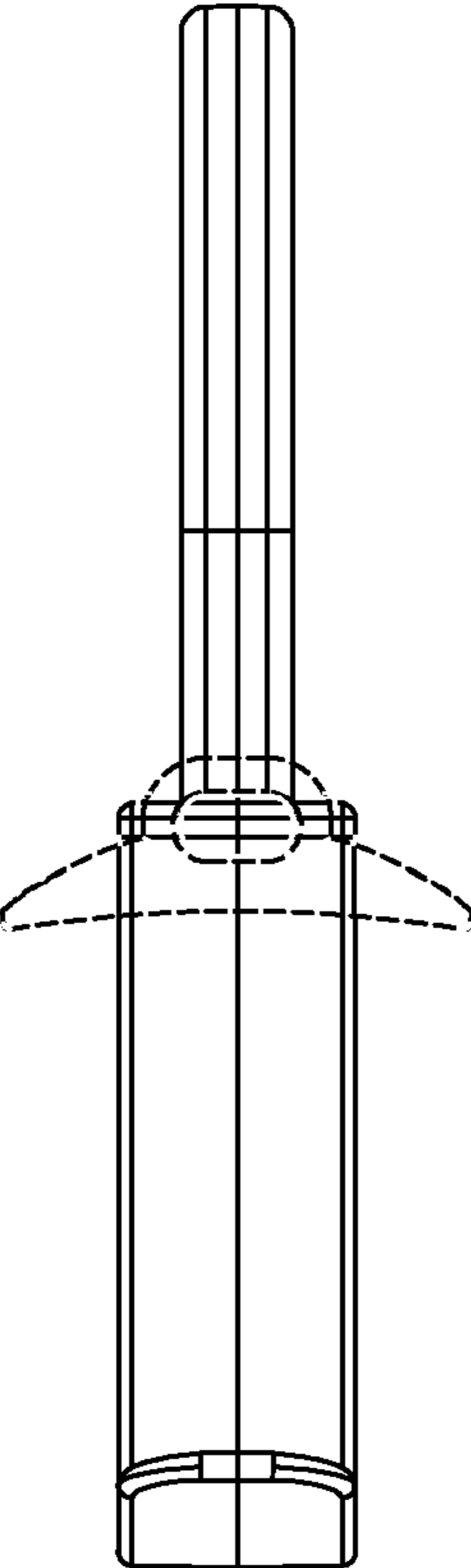


FIG. 6

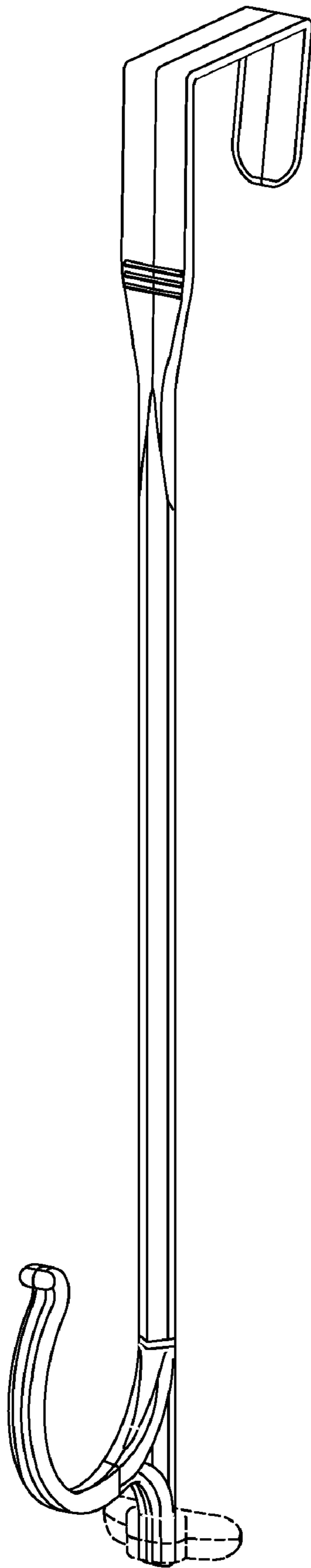


FIG. 7