



(12) **United States Design Patent**
Koizumi

(10) **Patent No.:** **US D609,553 S**
(45) **Date of Patent:** **** Feb. 9, 2010**

(54) **METAL FIXTURE**
(75) Inventor: **Toshihiko Koizumi**, Fujinomiya (JP)
(73) Assignee: **Nichiha Corporation**, Nagoya-shi (JP)
(**) Term: **14 Years**
(21) Appl. No.: **29/309,377**
(22) Filed: **Aug. 6, 2008**

JP D-1063832 S 3/2000
JP D-1063833 S 3/2000
JP D-1105718 S 4/2001
JP D-1215744 S 8/2004
JP 3962620 B 8/2007

* cited by examiner

Primary Examiner—Holly H Baynham
Assistant Examiner—Cynthia M Chin
(74) *Attorney, Agent, or Firm*—Birch, Stewart, Kolasch & Birch, LLP

(51) **LOC (9) Cl.** **08-05**
(52) **U.S. Cl.** **D8/354**
(58) **Field of Classification Search** D8/349,
D8/354, 363, 373, 394, 380, 382, 395; D25/119,
D25/121, 124, 125, 136, 138; 52/238.1–243.1,
52/394, 395, 578–582.1, 584.1, 589.1; D13/155;
248/267–268, 300; 160/321, 323.1
See application file for complete search history.

(57) **CLAIM**

The ornamental design for a metal fixture, as shown and described.

DESCRIPTION

FIG. 1 is a front view of a metal fixture showing my new design;
FIG. 2 is a back view thereof;
FIG. 3 is a top view thereof;
FIG. 4 is a bottom view thereof;
FIG. 5 is a right side view thereof;
FIG. 6 is a left side view thereto;
FIG. 7 is a front, right perspective view thereof; and,
FIG. 8 is a reference view showing an example of the metal fixture that is in use on a wall.
The broken lines illustrated in drawings form no part of the claimed design.

(56) **References Cited**

U.S. PATENT DOCUMENTS

D298,604 S * 11/1988 Newton D8/380
D333,421 S * 2/1993 Patti D8/356
D462,601 S * 9/2002 Chaney D8/354
D472,792 S * 4/2003 Callahan et al. D8/349
D472,793 S * 4/2003 Callahan et al. D8/349
D507,959 S * 8/2005 Mottini D8/354
D556,018 S * 11/2007 Curtas et al. D8/354
D561,563 S * 2/2008 Hoffner D8/354
D572,569 S * 7/2008 Magnesio et al. D8/354
D575,631 S * 8/2008 Huang D8/354

FOREIGN PATENT DOCUMENTS

JP D-1063807 S 3/2000

1 Claim, 8 Drawing Sheets

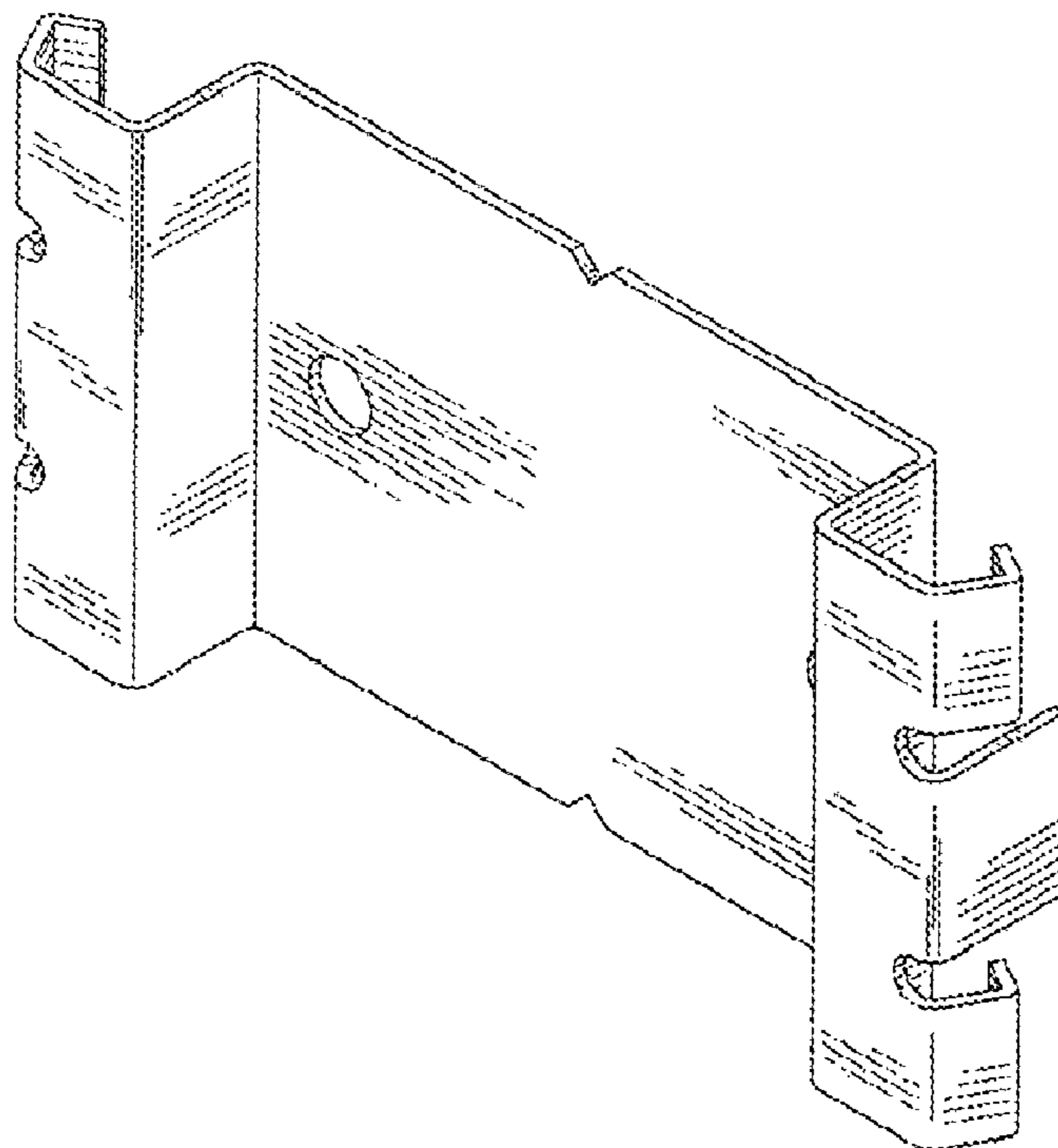


Fig. 1

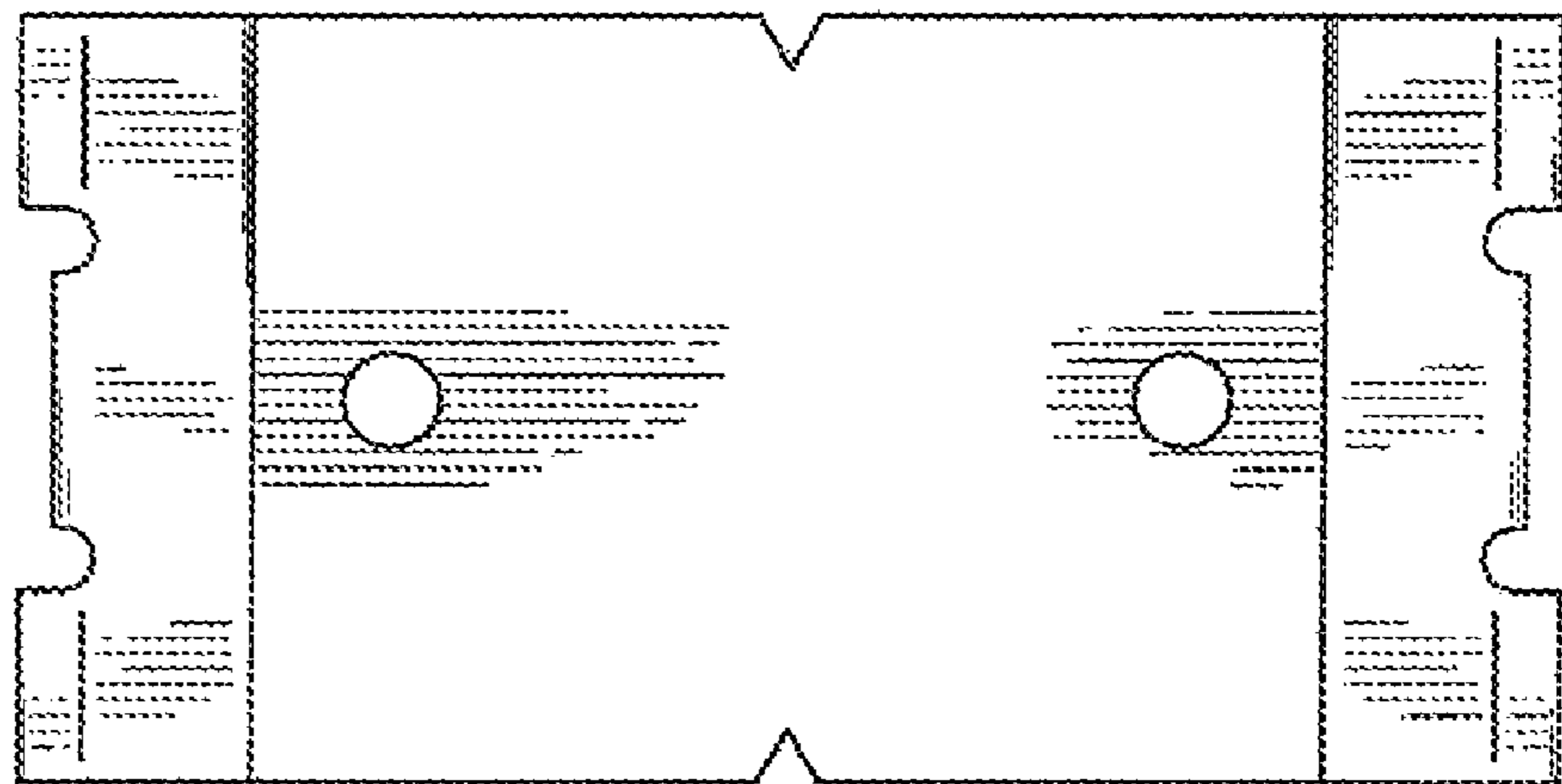


Fig.2

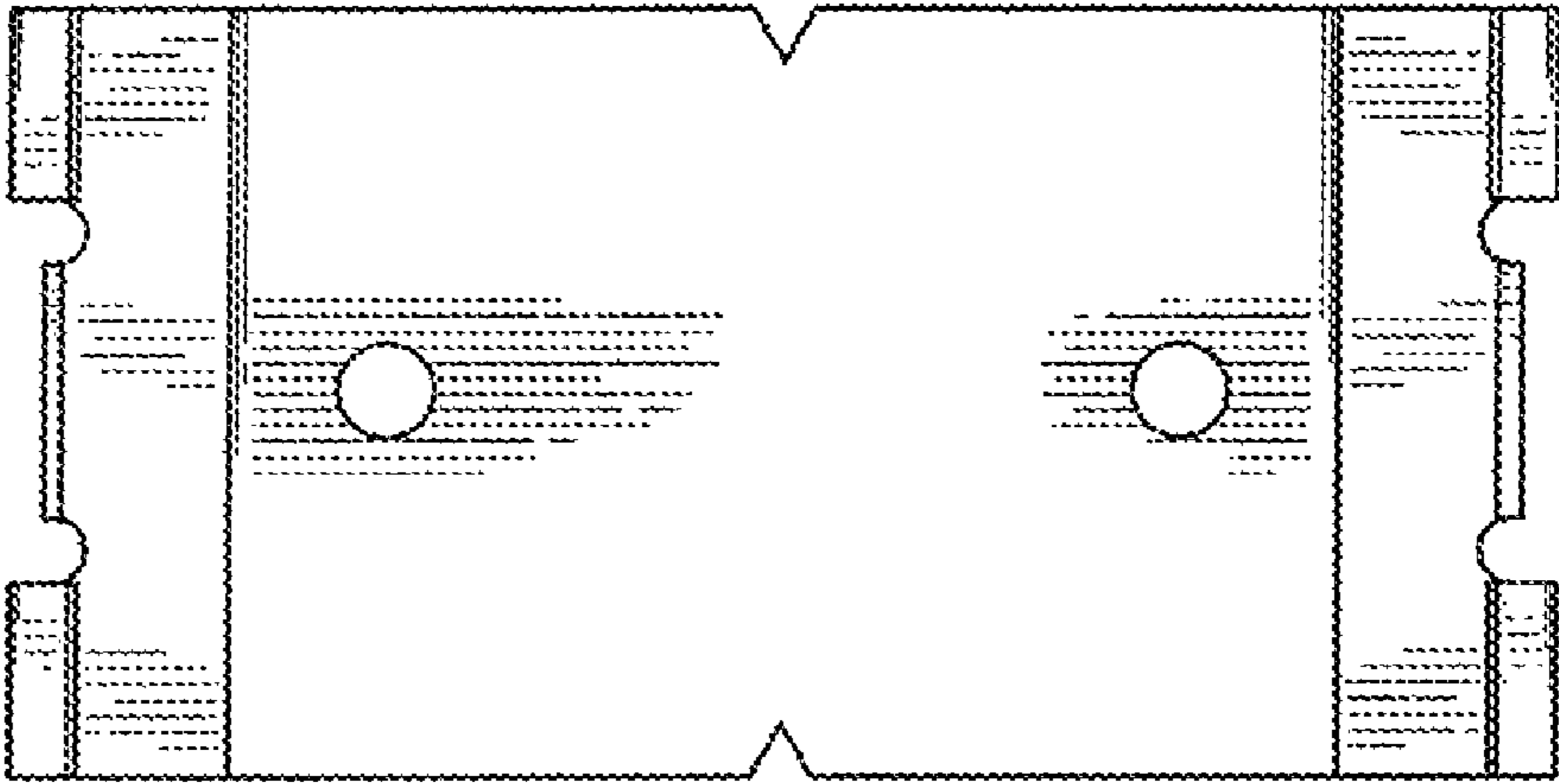


Fig.3

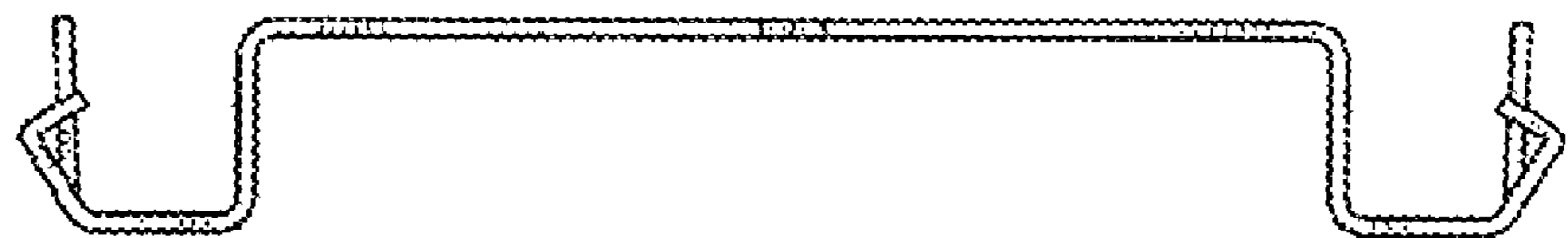


Fig. 4



Fig. 5

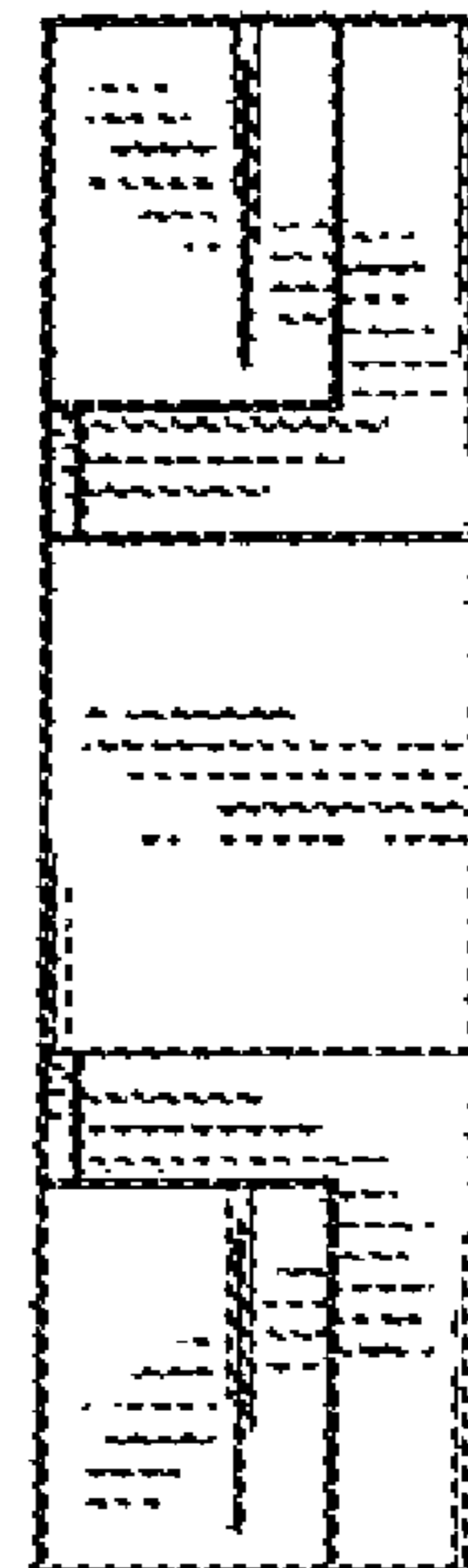


Fig. 6

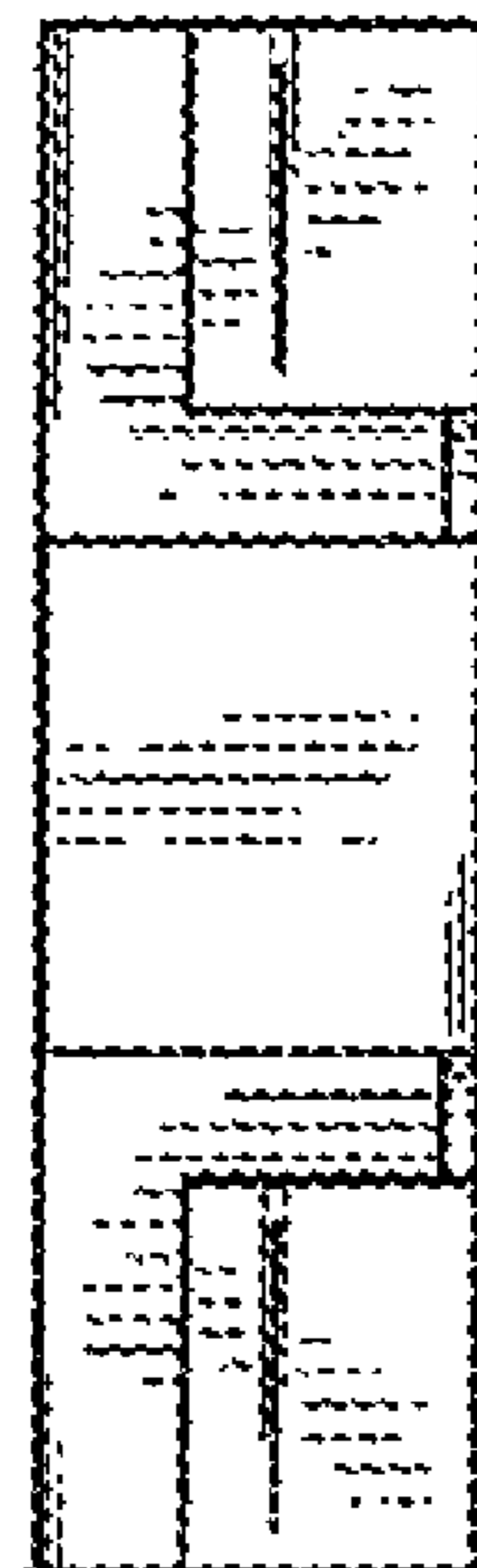


Fig. 7

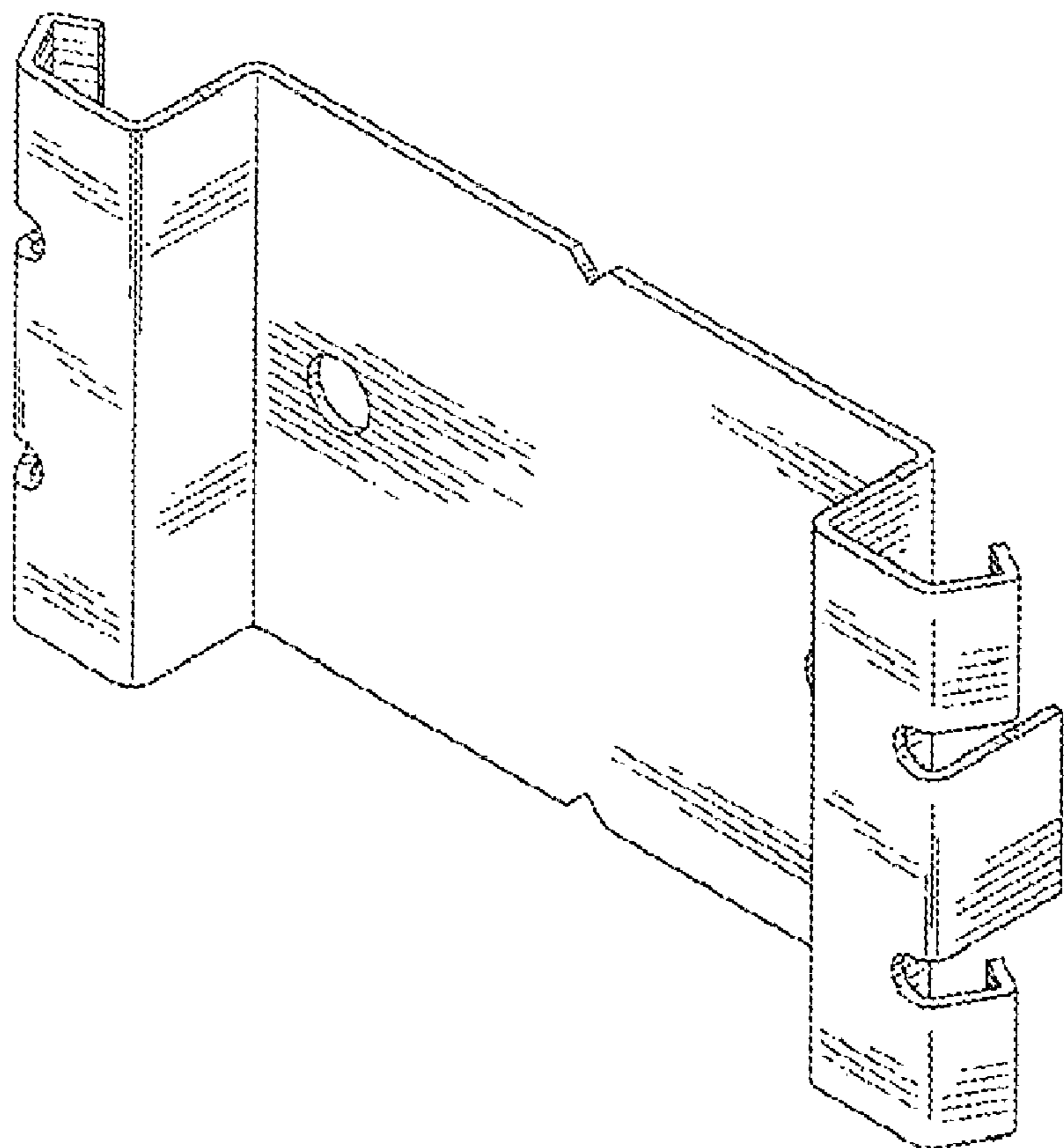


Fig.8

