



US00D609550S

(12) **United States Design Patent**  
**Wan et al.**

(10) **Patent No.:** **US D609,550 S**

(45) **Date of Patent:** **\*\* Feb. 9, 2010**

(54) **THREE POINT KNOB**

(76) Inventors: **Tiffany Wan**, 297 High St., Dedham, MA (US) 02026; **Jesse Drake**, 297 High St., Dedham, MA (US) 02026

(\*\*) Term: **14 Years**

(21) Appl. No.: **29/327,486**

(22) Filed: **Nov. 6, 2008**

(51) **LOC (9) Cl.** ..... **08-01**

(52) **U.S. Cl.** ..... **D8/307; D8/300**

(58) **Field of Classification Search** ..... D8/300, D8/310, 311, 343, 307, DIG. 1, DIG. 2, 25, D8/394, 395, 397, 396, 72, 74; D7/393, D7/340, 439, 402, 405; 16/110.1, 309, 320; 74/501.6, 553; D20/4, 8; D23/250, 254; 248/68.1, 73, 285.1, 534, 229.11, 296.11; 403/24, 373, 110, 338; 211/4, 17; D21/664, D21/668, 670, 662, 665; 5/503.1; 4/355, 4/369, 675, 676, 678, 679, 649, 682, 390; 269/100

See application file for complete search history.

(56) **References Cited**

U.S. PATENT DOCUMENTS

D127,735 S *	6/1941	Dreyfuss	.....	D23/250
D157,312 S *	2/1950	Young	.....	D23/250
D186,189 S *	9/1959	Vose	.....	D8/25
D187,096 S *	1/1960	Young	.....	D23/250
D187,412 S *	3/1960	Young	.....	D23/250
D189,534 S *	1/1961	Boldt	.....	D8/311
D190,597 S *	6/1961	Nelson	.....	D8/307
D191,191 S *	8/1961	Kawolics	.....	D23/250
D196,095 S *	8/1963	Young	.....	D23/250
4,050,661 A *	9/1977	Wooldridge	.....	248/285.1

D269,409 S *	6/1983	Ferdinand et al.	.....	D8/307
4,547,092 A *	10/1985	Vetter et al.	.....	403/59
5,355,539 A *	10/1994	Boettger	.....	5/503.1
5,381,636 A *	1/1995	Kassardjian et al.	.....	52/301
D386,076 S *	11/1997	Moore	.....	D8/394
D434,476 S *	11/2000	Meda	.....	D23/252
D458,344 S *	6/2002	Mullenmeister	.....	D23/250
D556,530 S *	12/2007	Workman et al.	.....	D8/72

\* cited by examiner

*Primary Examiner*—Paula Greene

(74) *Attorney, Agent, or Firm*—QuickPatents, Inc.; Kevin Prince

(57) **CLAIM**

We claim the ornamental design for a three point knob, as shown and described.

**DESCRIPTION**

FIG. 1 is a perspective view of a three point knob, showing a top side my new design;

FIG. 2 is a perspective view thereof, showing a bottom side my new design;

FIG. 3 is a front elevational view thereof;

FIG. 4 is a rear elevational view thereof;

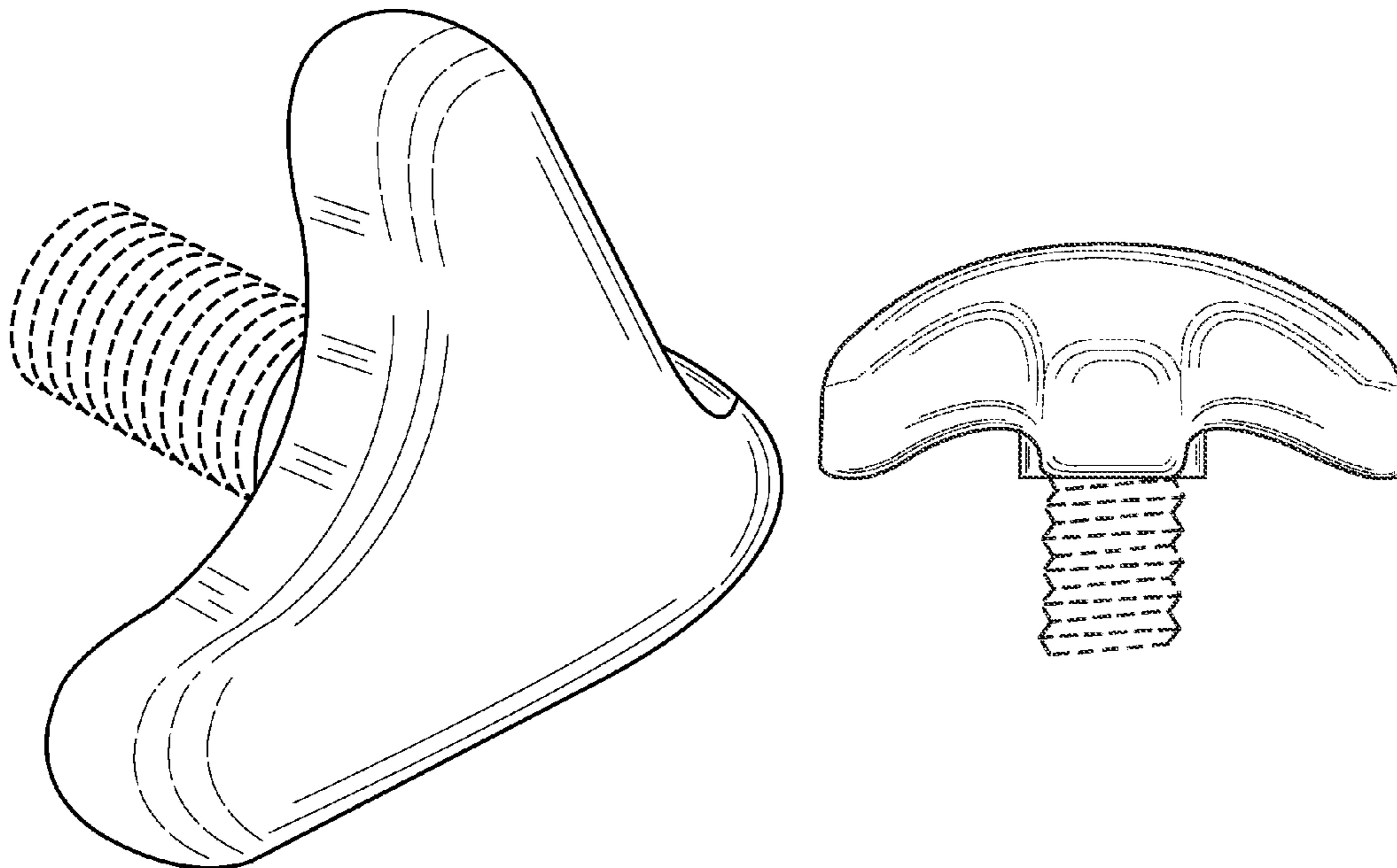
FIG. 5 is a left-side elevational view thereof, the right-side elevational view being a mirror image thereof;

FIG. 6 is a top plan view thereof; and,

FIG. 7 is a bottom plan view thereof.

The broken lines showing a threaded shaft in the figures are included for the purpose of illustrating the invention in use, and form no part of the claimed design. The broken lines in FIGS. 2 and 7 form no part of the claimed design.

**1 Claim, 2 Drawing Sheets**



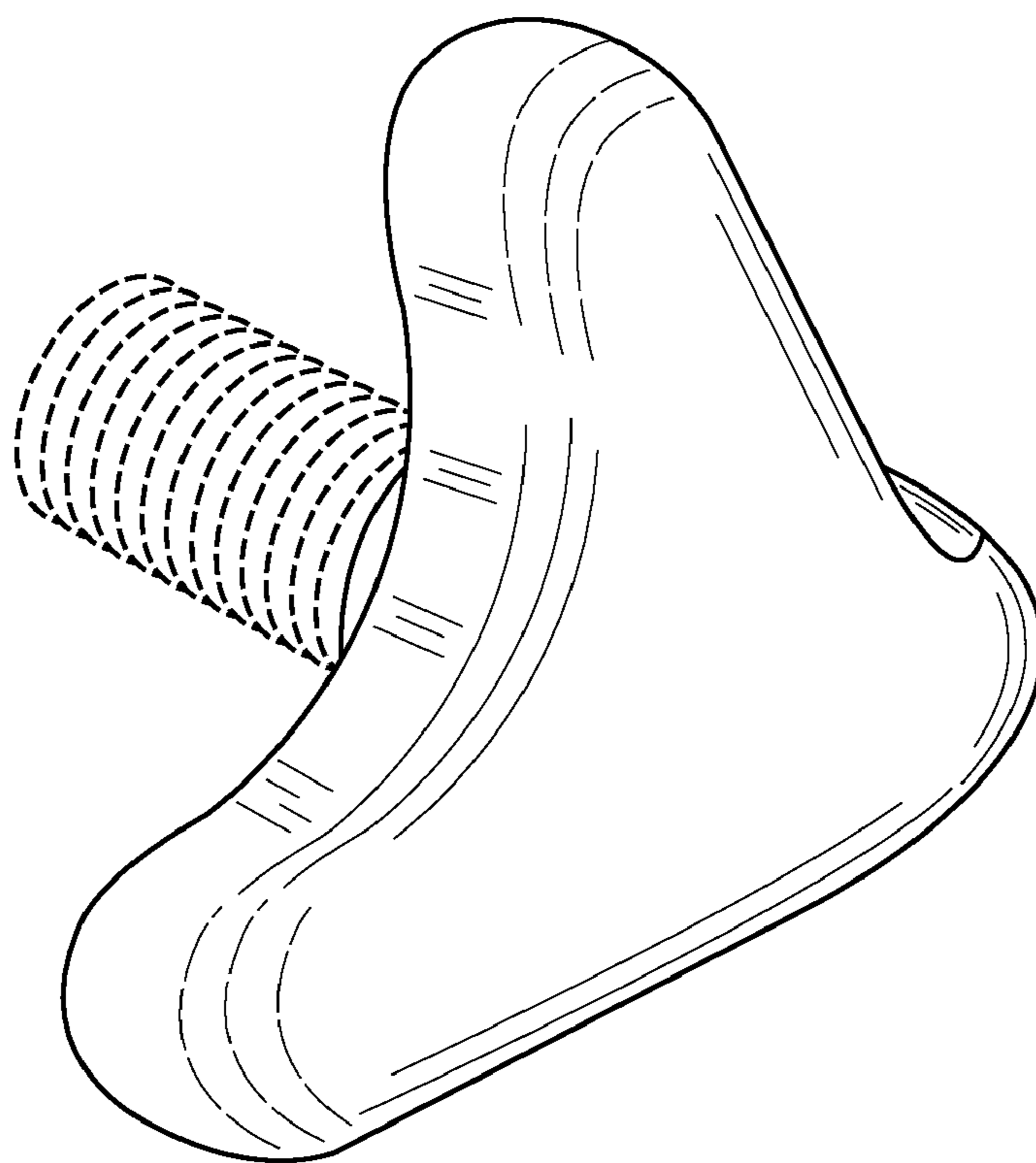


FIG. 1

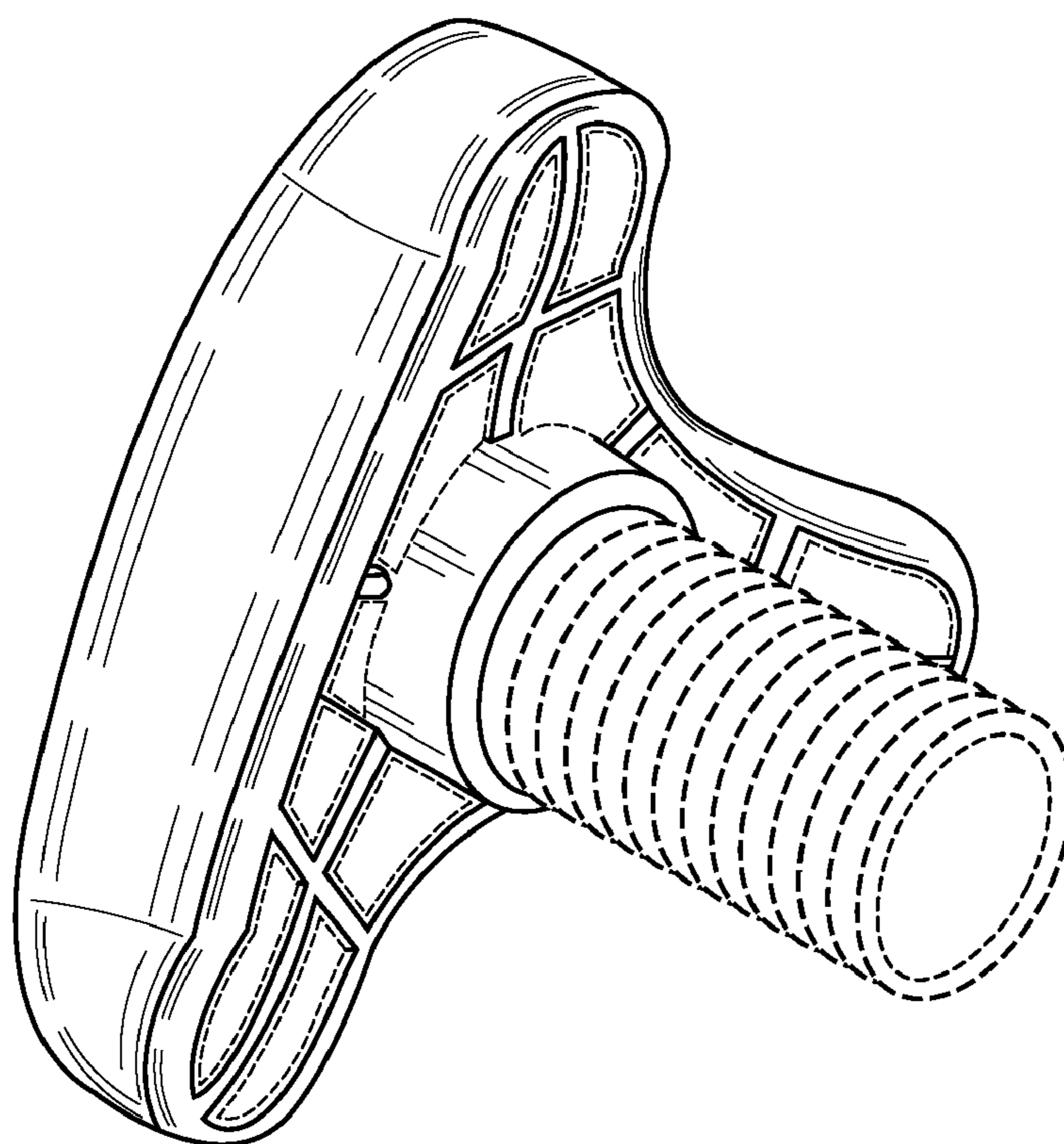


FIG. 2

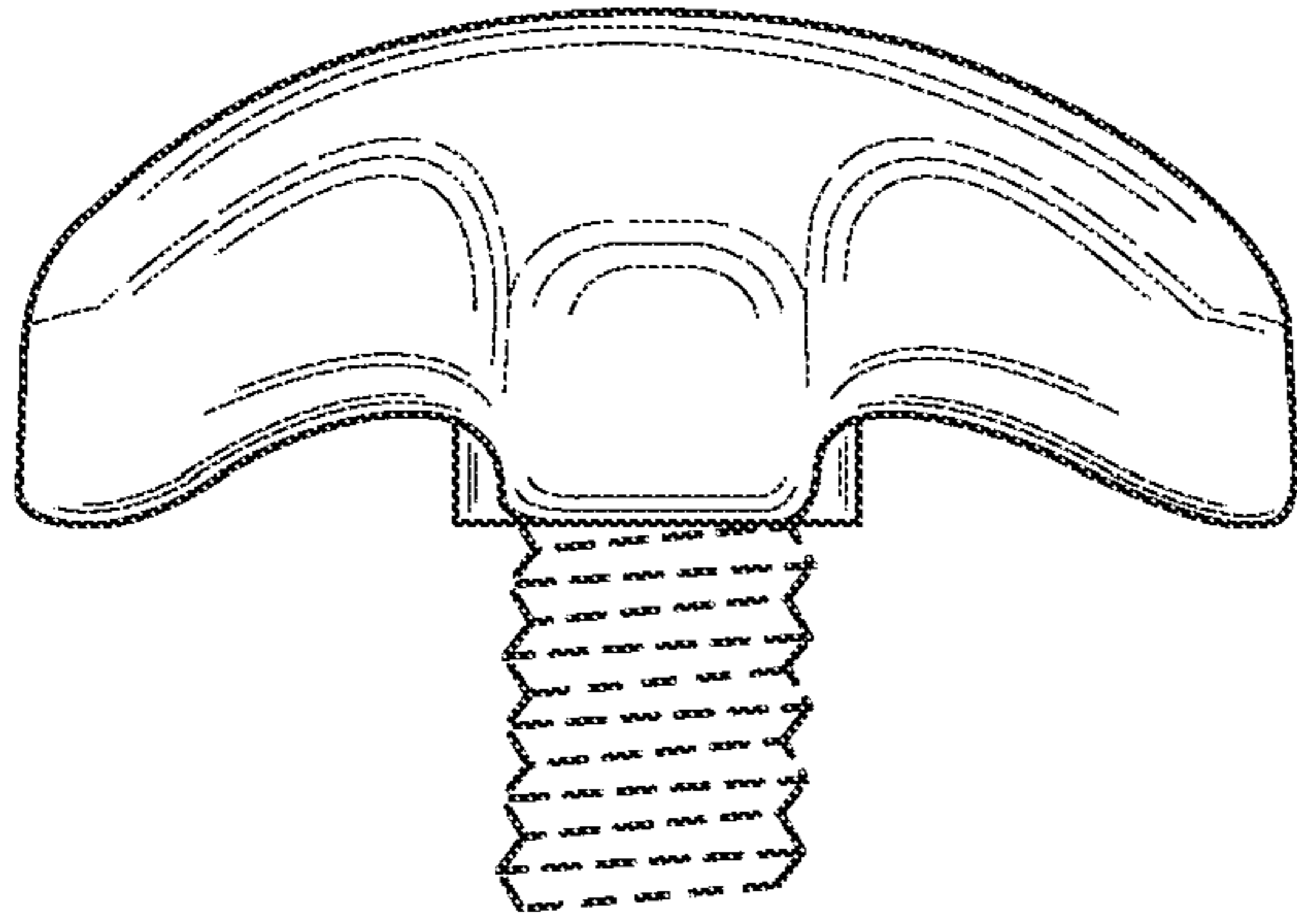


FIG. 3

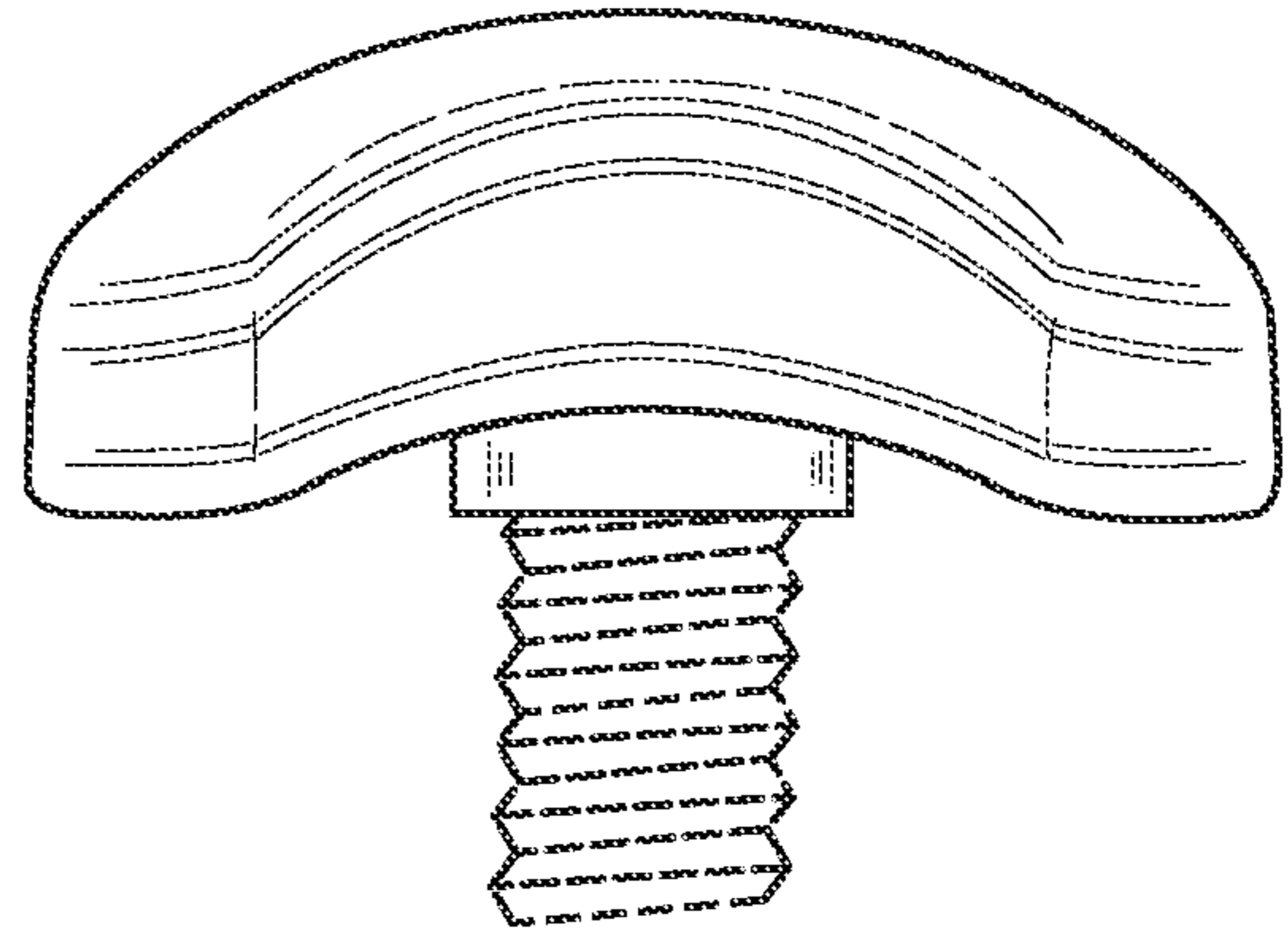


FIG. 4

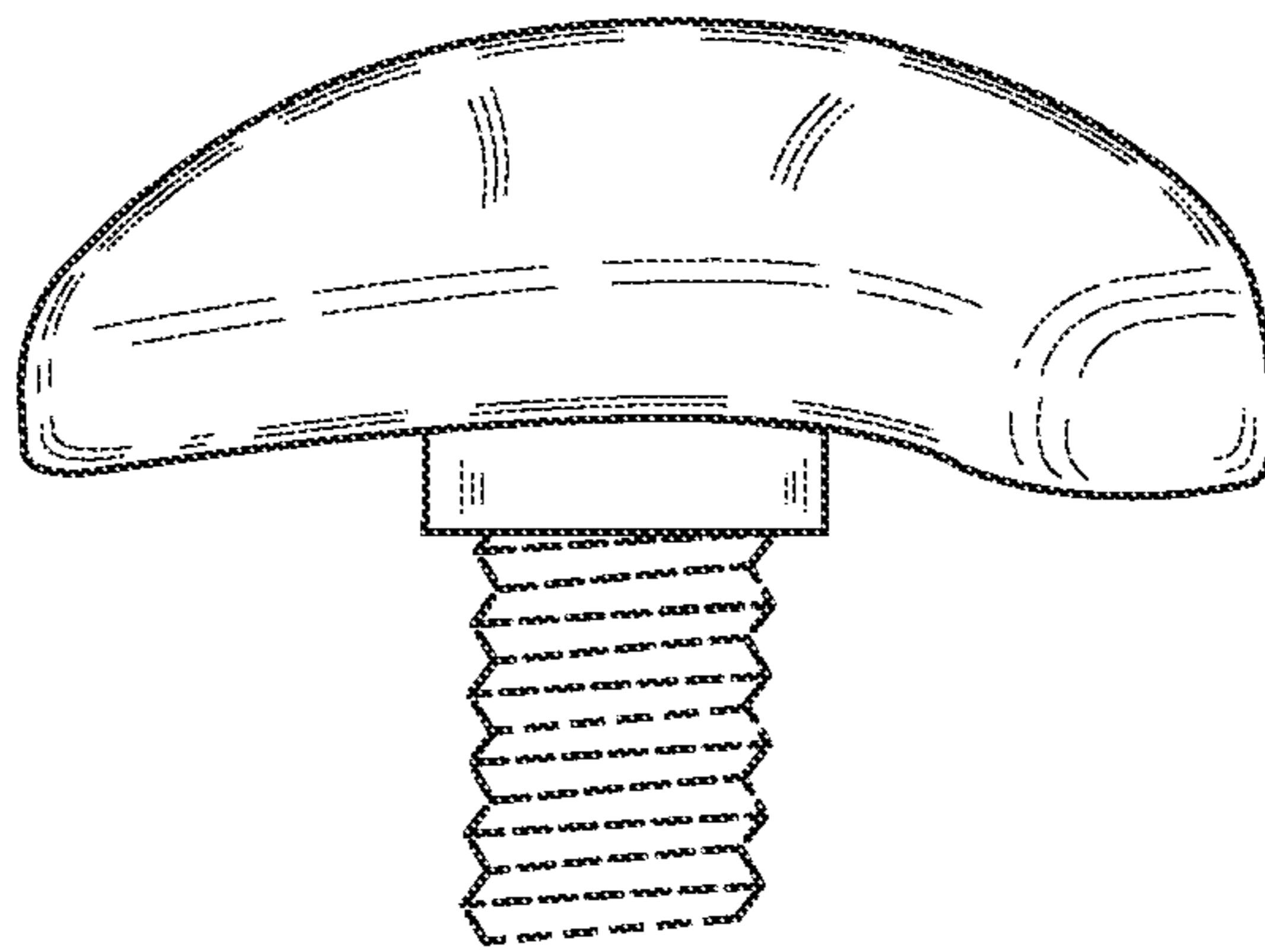


FIG. 5

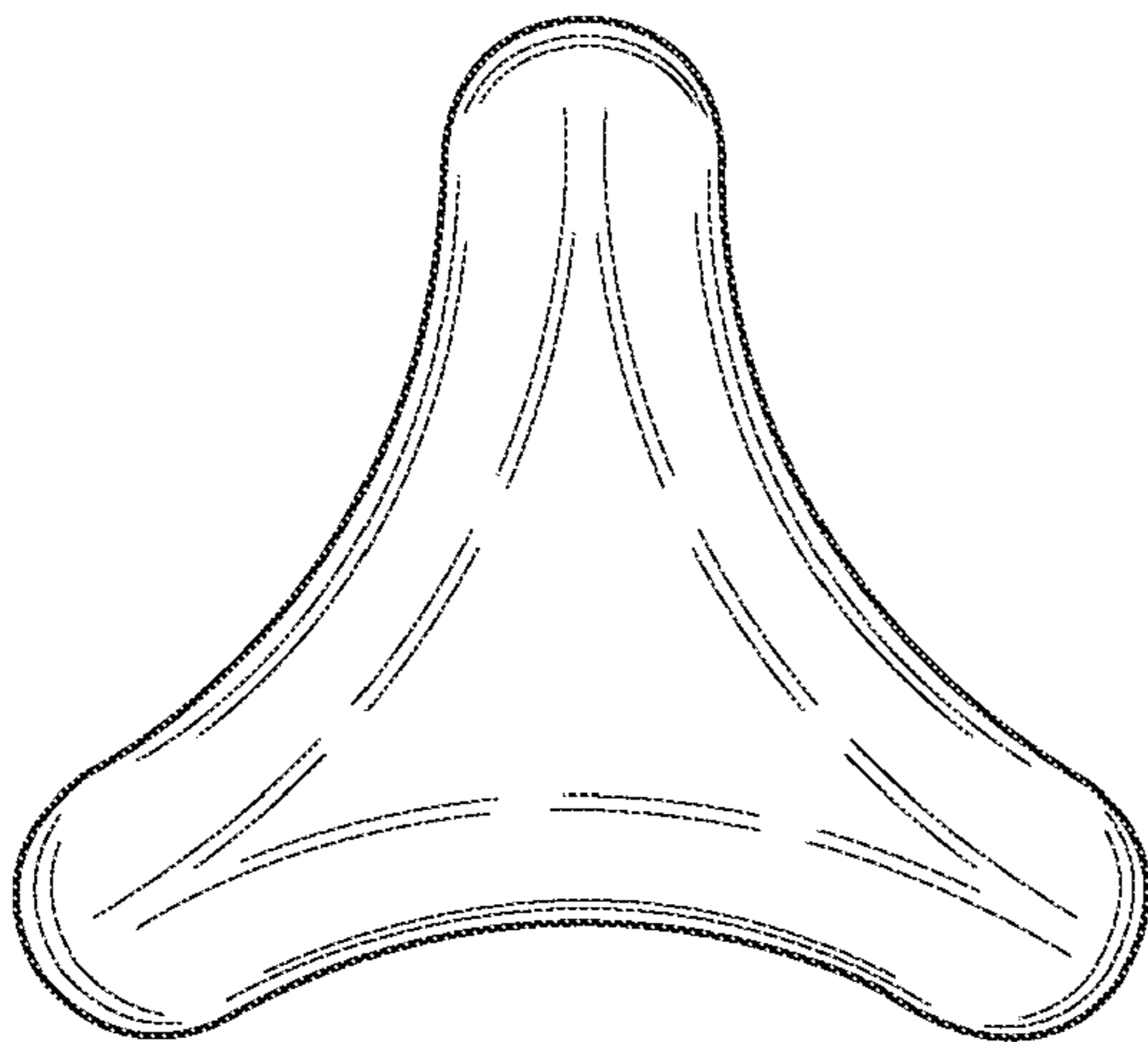


FIG. 6

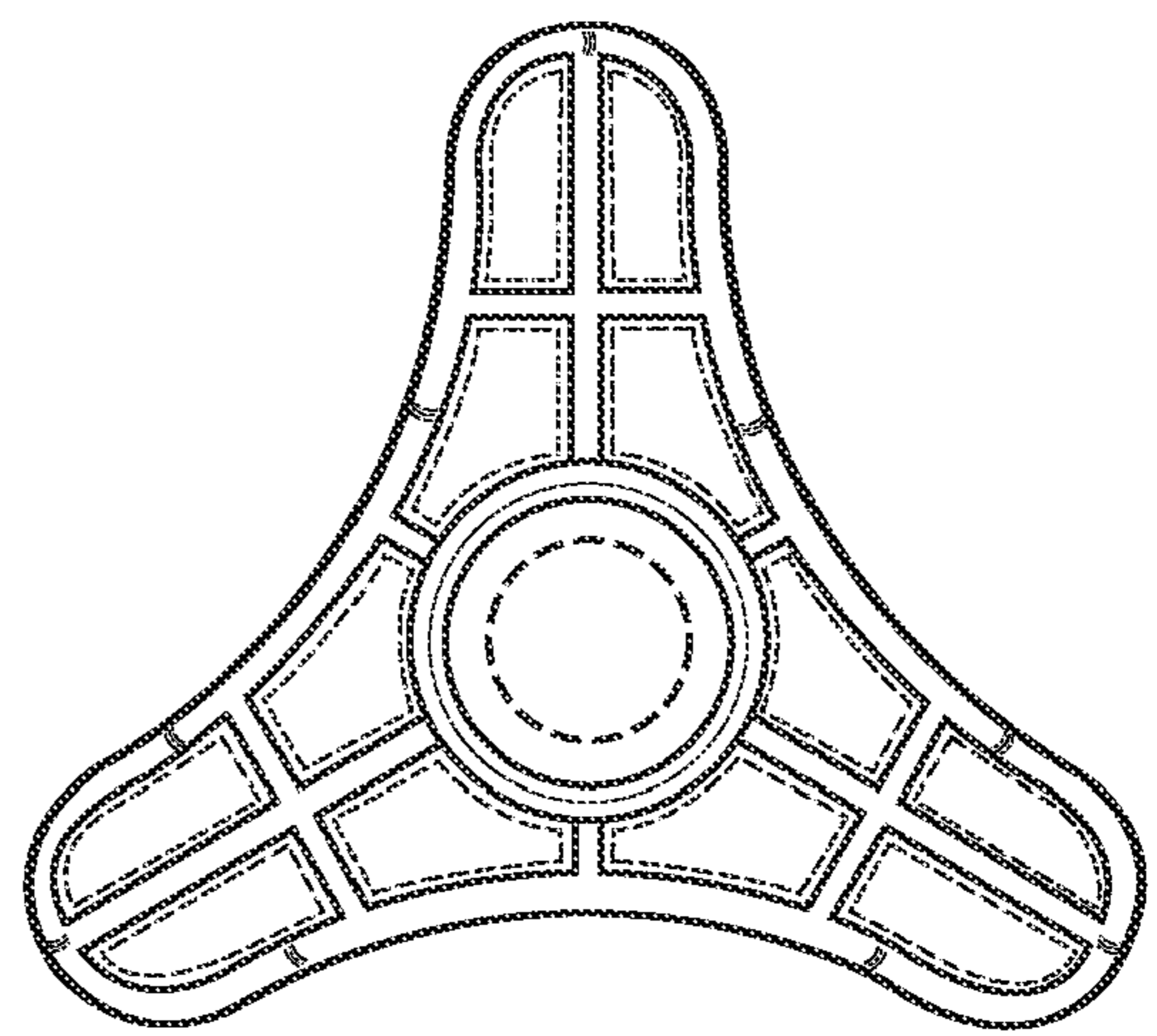


FIG. 7