



US00D609549S

(12) **United States Design Patent**
Demers et al.

(10) **Patent No.:** **US D609,549 S**
(45) **Date of Patent:** **** Feb. 9, 2010**

(54) **TOOL HANDLE**

FOREIGN PATENT DOCUMENTS

(75) Inventors: **Brian Joseph Demers**, Huntersville, NC (US); **Joseph Allen Berlepsch**, Mooresville, NC (US)

JP D1146745 7/2002

(73) Assignee: **Lowe's Companies, Inc.**, Mooresville, NC (US)

(Continued)

(**) Term: **14 Years**

OTHER PUBLICATIONS

(21) Appl. No.: **29/318,753**

Taiwanese Search Report for Design Patent Application No. 096301909, dated Nov. 27, 2008.

(22) Filed: **May 27, 2008**

Primary Examiner—Cathron C Brooks

Assistant Examiner—Barbara Fox

(74) *Attorney, Agent, or Firm*—Moore & Van Allen PLLC; W. Kevin Ransom

Related U.S. Application Data

(62) Division of application No. 29/249,383, filed on Oct. 4, 2006, now Pat. No. Des. 572,553.

(57) **CLAIM**

(51) **LOC (9) Cl.** **08-05**

The ornamental design for a tool handle, as shown and described.

(52) **U.S. Cl.** **D8/107**

(58) **Field of Classification Search** D8/20-29, D8/55, 61, 93, 98-100, 102-107, 300, 301, D8/303, 307, 310, 312, 319-320, 376-378, D8/400-499; D4/132-138; D7/393, 395, D7/401.1, 401.2, 649, 695; D22/104, 118, D22/207; D24/207; D6/524; D26/154; D9/443; 15/143.1, 159.1, 160, 168, 175, 15/194.1, 192; 81/177.1-177.9, 489, 3.2, 81/436, 439-440, 60-63.2, 477, 479, 52; 16/427, 422, 436, 110.1, 421, 430-431, 429, 16/441, 124.6, 414, 417, DIG. 12, DIG. 18, 16/DIG. 19; 73/862.23; 30/164.5, 151-162; 211/87.01; 428/28

DESCRIPTION

See application file for complete search history.

FIG. 1 is a perspective view of a tool handle showing the new design;

FIG. 2 is an elevational view of the front side of the tool handle of FIG. 1;

FIG. 3 is an elevational view of the right side of the tool handle of FIG. 1;

FIG. 4 is an elevational view of the rear side of the tool handle of FIG. 1;

FIG. 5 is a plan view of the bottom side of the tool handle of FIG. 1;

FIG. 6 is a plan view of the top side of the tool handle of FIG. 1; and,

FIG. 7 is an elevational view of the left side of the tool handle of FIG. 1.

The broken lines shown in the drawings are for the purpose of illustrating unclaimed portions of the tool handle and form no part of the claimed design.

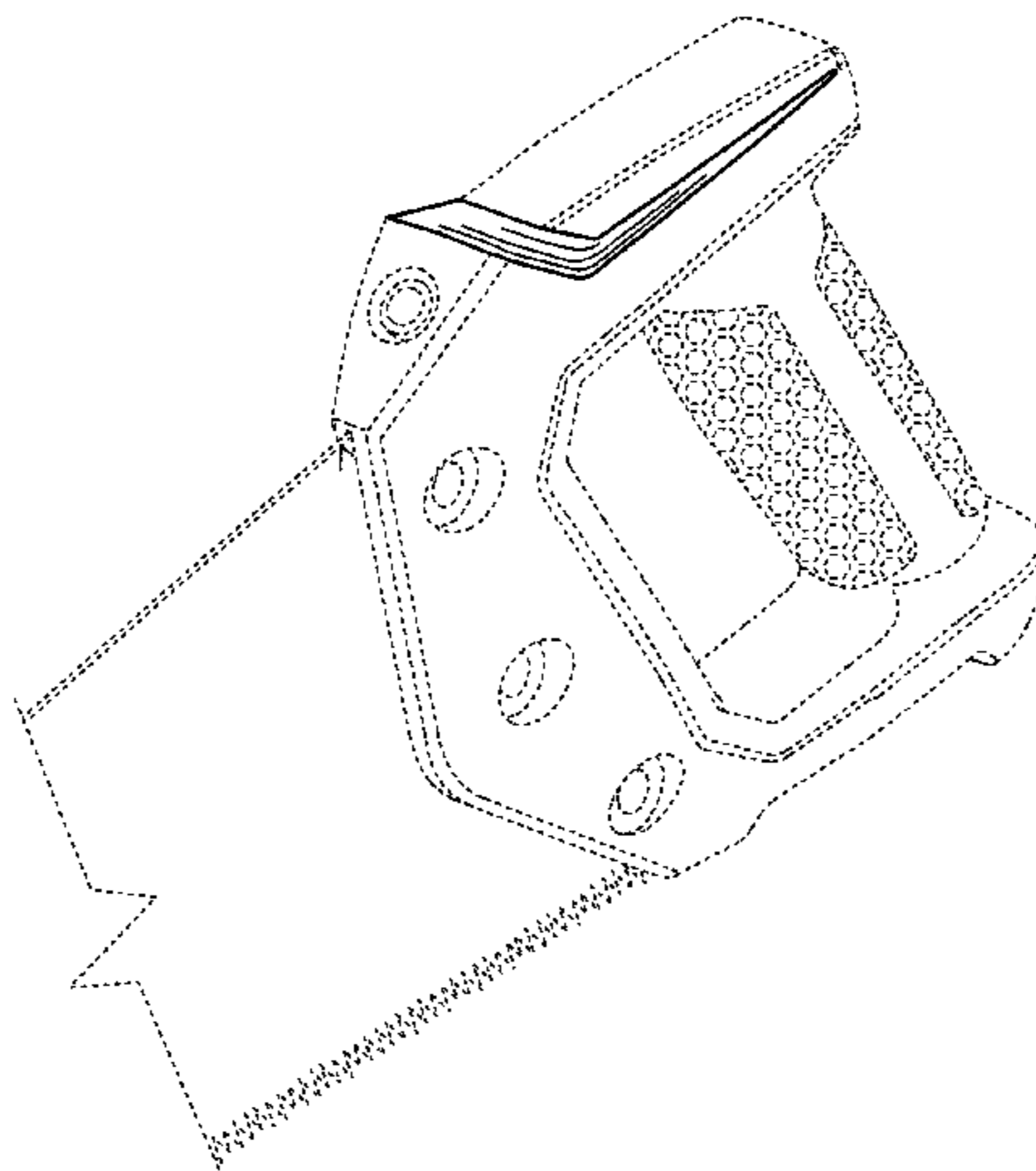
(56) **References Cited**

U.S. PATENT DOCUMENTS

D151,860 S 11/1948 Stoyer
D152,155 S 12/1948 Jacoff
D288,769 S 3/1987 Doman
D288,770 S 3/1987 Doman
5,528,834 A * 6/1996 Seber et al. 30/340

(Continued)

1 Claim, 7 Drawing Sheets



US D609,549 S

Page 2

U.S. PATENT DOCUMENTS

D395,218 S	6/1998	Martin	
D398,507 S	9/1998	Thompson et al.	
D399,113 S	10/1998	Balolia	
D412,273 S	7/1999	Chung	
D416,179 S	11/1999	Staton et al.	
D417,379 S	12/1999	Bidstrup et al.	
D418,731 S	1/2000	Rowlay et al.	
D432,381 S	10/2000	Khachatoorian	
6,128,808 A	10/2000	Jansson et al.	
D434,298 S	11/2000	Izumisawa	
D441,269 S	5/2001	Tsai	
D441,671 S	5/2001	Hsu	
D442,053 S	5/2001	Jimenez	
D446,942 S	8/2001	Kim	
D449,546 S	10/2001	Lee	
D457,003 S	5/2002	Newman et al.	
D471,976 S	3/2003	Pavlu et al.	
D475,598 S	6/2003	Hung	
D478,292 S	8/2003	Hsu	
D482,203 S	11/2003	Goulet	
D482,259 S	11/2003	Chen	
D483,634 S	12/2003	Jansson et al.	
D486,050 S	2/2004	Rampen	
D486,716 S	2/2004	Levine et al.	
D487,875 S	3/2004	Wang	
D490,680 S	6/2004	Levine et al.	
D491,083 S	6/2004	Lin	
D495,575 S	9/2004	Jimenez	
D503,351 S	3/2005	Chen	
D507,195 S	7/2005	Kondo et al.	
D515,389 S	2/2006	Hsu	
D517,888 S	3/2006	DeBoer et al.	
D517,889 S	3/2006	Hsieh	
D519,017 S	4/2006	Hsieh	
D519,816 S	5/2006	Budrow et al.	
7,051,626 B1	5/2006	Chen et al.	
D523,234 S	6/2006	DeBoer et al.	
D524,133 S *	7/2006	Wu	D8/68

D527,236 S	8/2006	Wu	
D533,455 S	12/2006	Leck et al.	
D536,908 S	2/2007	Eros	
D536,944 S	2/2007	Tsai et al.	
D537,308 S	2/2007	Wang	
D537,697 S	3/2007	Jimenez	
D538,129 S	3/2007	Jansson	
D540,637 S *	4/2007	Staples	D8/61
D543,085 S	5/2007	Aglassinger	
D543,812 S	6/2007	Burry et al.	
D544,770 S	6/2007	Yang	
D547,624 S	7/2007	Strahorn	
D550,058 S	9/2007	Aglassinger et al.	
D551,044 S *	9/2007	Mochida et al.	D8/61
D556,536 S	12/2007	Aglassinger	
D560,127 S	1/2008	Elam	
D562,398 S	2/2008	Qui et al.	
D566,497 S *	4/2008	Wang	D8/25
D571,679 S	6/2008	McEwan et al.	
D572,614 S	7/2008	McEwan et al.	
D574,209 S *	8/2008	Ranieri	D8/97
D576,853 S	9/2008	Aglassinger	
D578,852 S	10/2008	Enriquez	
D580,722 S *	11/2008	Chi	D8/61
D584,116 S	1/2009	Jackson	
D586,195 S *	2/2009	Okuda	D8/61
D586,638 S *	2/2009	Aglassinger	D8/68
D587,543 S *	3/2009	Kokawa et al.	D8/61
D590,225 S	4/2009	Sell	
D591,570 S	5/2009	Lee et al.	
D597,811 S	8/2009	Yu	
D598,265 S *	8/2009	Wu	D8/99
2004/0246735 A1	12/2004	Huang	
2006/0090265 A1 *	5/2006	Fisher et al.	7/165

FOREIGN PATENT DOCUMENTS

TW	D101729	12/2004
TW	D101730	12/2004

* cited by examiner

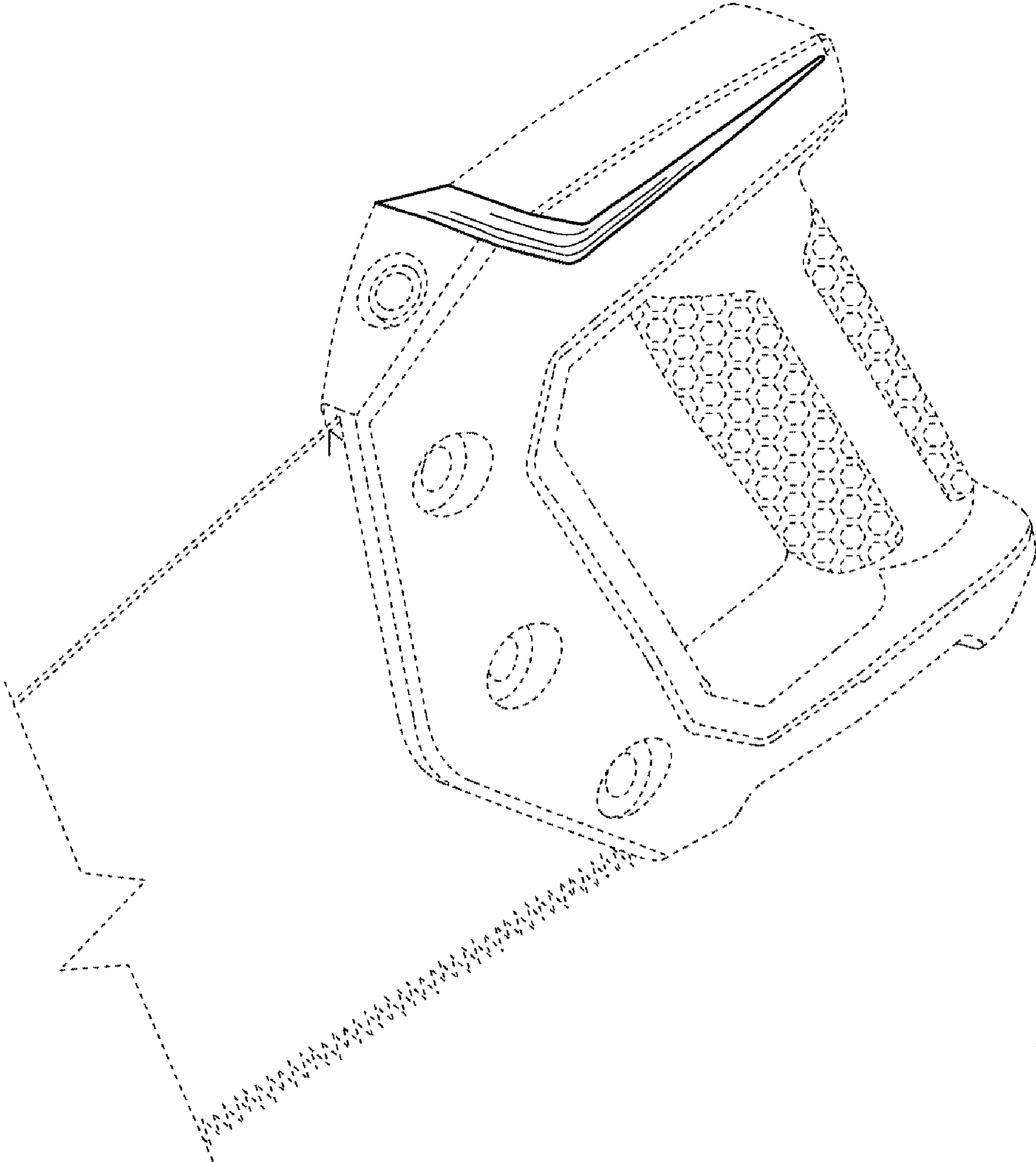


FIG. 1

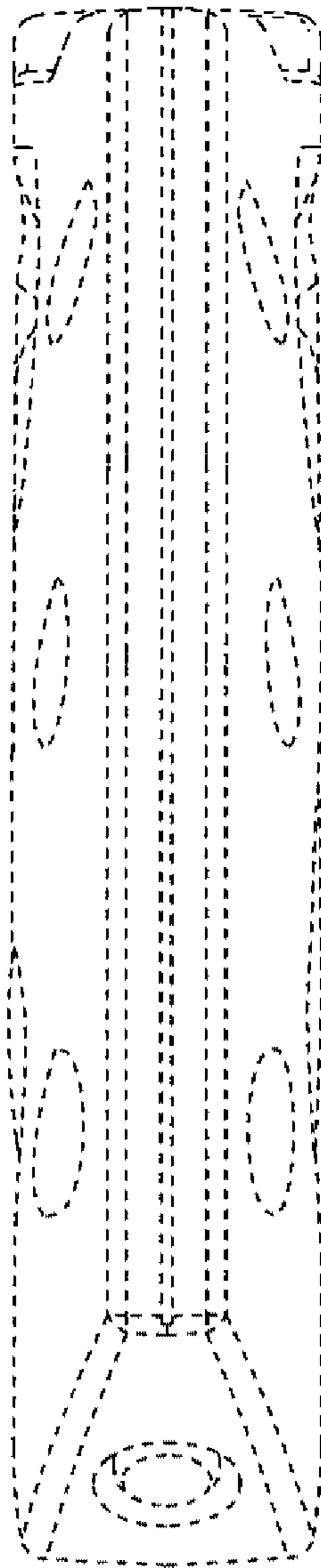


FIG. 2

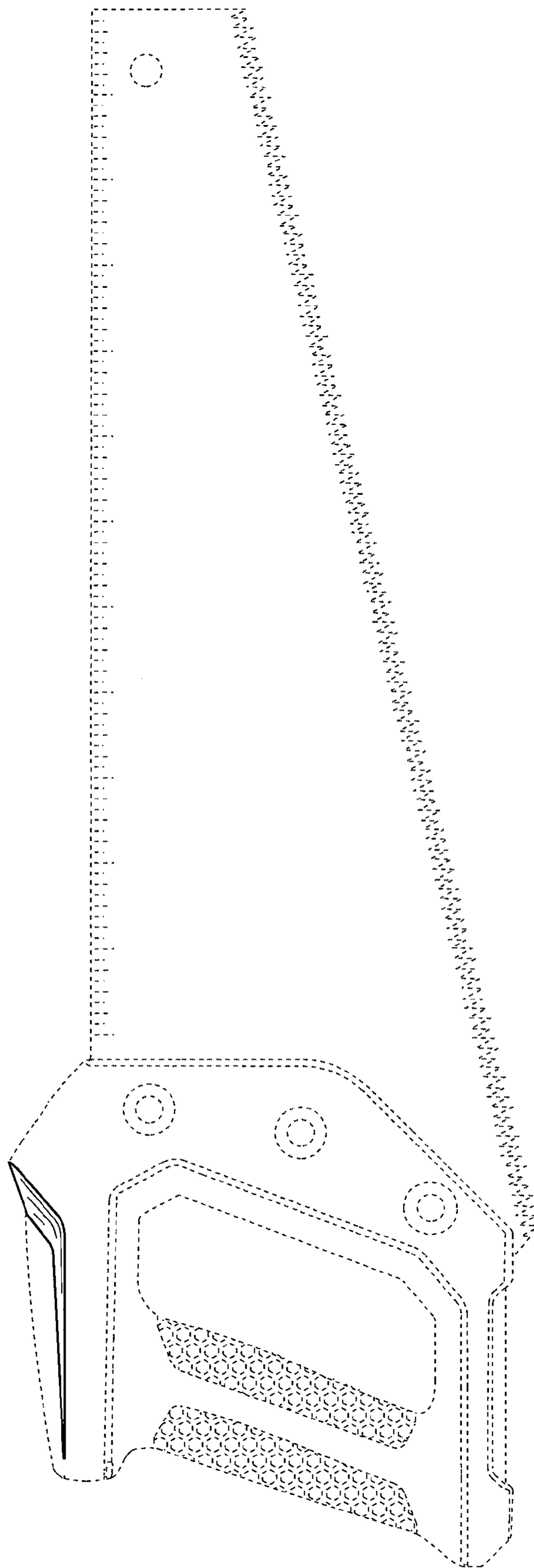


FIG. 3

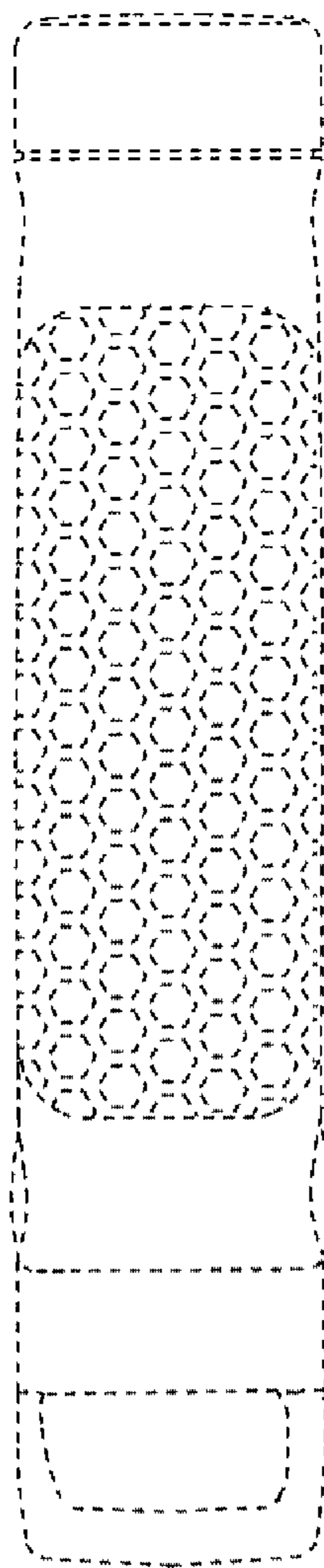


FIG. 4

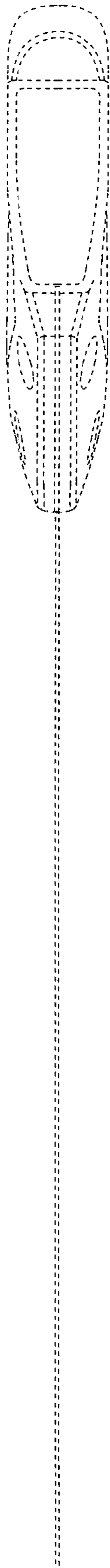


FIG. 5

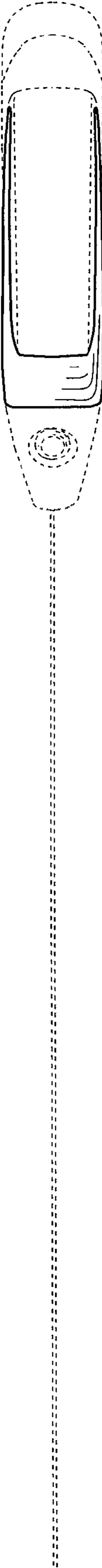


FIG. 6

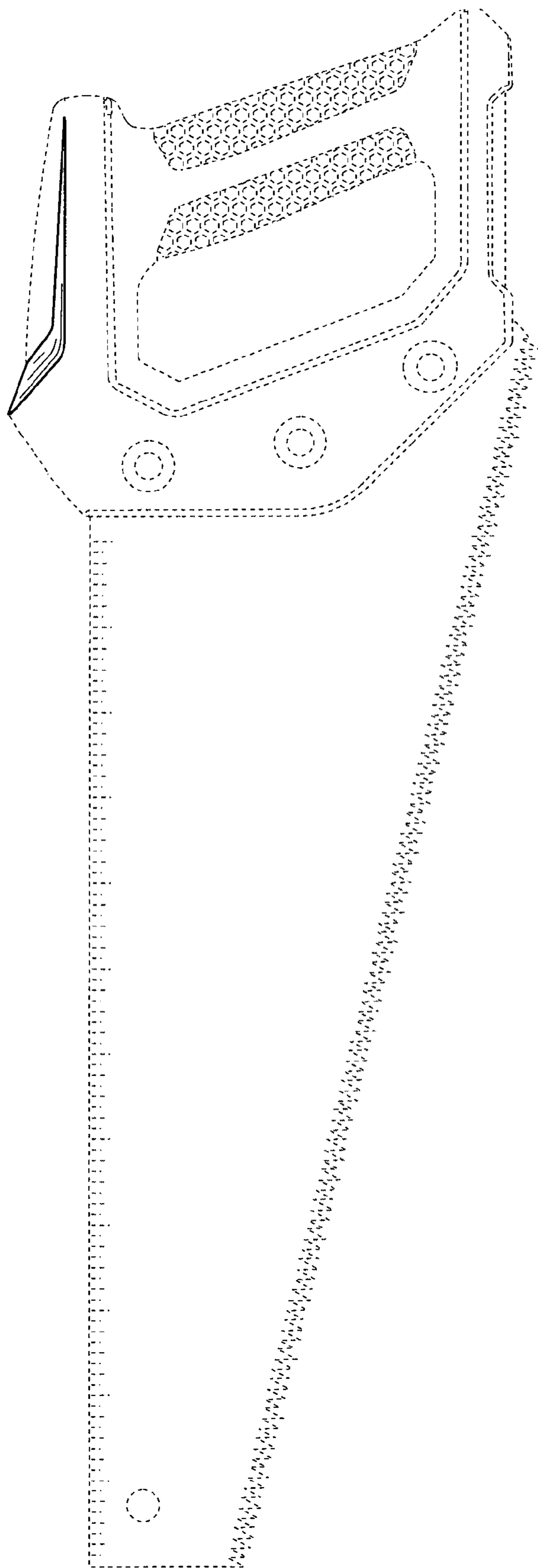


FIG. 7