



US00D609548S

(12) **United States Design Patent**
Saunders et al.

(10) **Patent No.:** **US D609,548 S**
(45) **Date of Patent:** **** Feb. 9, 2010**

(54) **SCRAPER PLANE**

315,014 A 4/1885 Duncan et al.
323,804 A 8/1885 Gage

(75) Inventors: **Terry R. Saunders**, North Gower (CA);
Brian Ebbinghaus, Kanata (CA);
Steven K. Jones, Ottawa (CA); **Brent K. Hyde**, Ottawa (CA)

(Continued)

FOREIGN PATENT DOCUMENTS

(73) Assignee: **Lee Valley Tools, Ltd.**, Ottawa (CA)

CA 554421 3/1958

(Continued)

(**) Term: **14 Years**

OTHER PUBLICATIONS

(21) Appl. No.: **29/332,942**

Rear Cover of Lee Valley & Veritas Catalog, Copyright 1999.

(22) Filed: **Feb. 27, 2009**

(Continued)

(51) **LOC (9) Cl.** **08-03**

(52) **U.S. Cl.** **D8/101**

(58) **Field of Classification Search** D8/14,
D8/51, 98, 99, 101; 30/478, 487, 488, 489,
30/490, 491, 492

Primary Examiner—Philip S Hyder

(74) *Attorney, Agent, or Firm*—Kilpatrick Stockton LLP;
John S. Pratt; Camilla C. Williams

See application file for complete search history.

(57) **CLAIM**

The ornamental design for a scraper plane, as shown and described.

(56) **References Cited**

U.S. PATENT DOCUMENTS

6,304 A	4/1849	Blye
13,381 A	8/1855	Bailey
81,879 A	9/1868	Comp
97,833 A	12/1869	Tanner et al.
99,275 A	1/1870	Tredway
135,341 A	1/1873	Jones
186,281 A	1/1877	Traut
201,068 A	3/1878	Taylor
228,766 A	6/1880	Kinney
245,093 A	8/1881	Reeder
274,600 A	3/1883	Hegglund
296,207 A	4/1884	Mosher et al.
305,603 A	9/1884	Keiser
306,763 A	10/1884	Laskey
306,877 A	10/1884	Traut
308,332 A	11/1884	Traut

DESCRIPTION

FIG. 1 is a perspective view of a scraper plane, showing our new design.

FIG. 2 is a right side elevation view of the scraper plane of FIG. 1.

FIG. 3 is a left side elevation view of the scraper plane of FIG. 1.

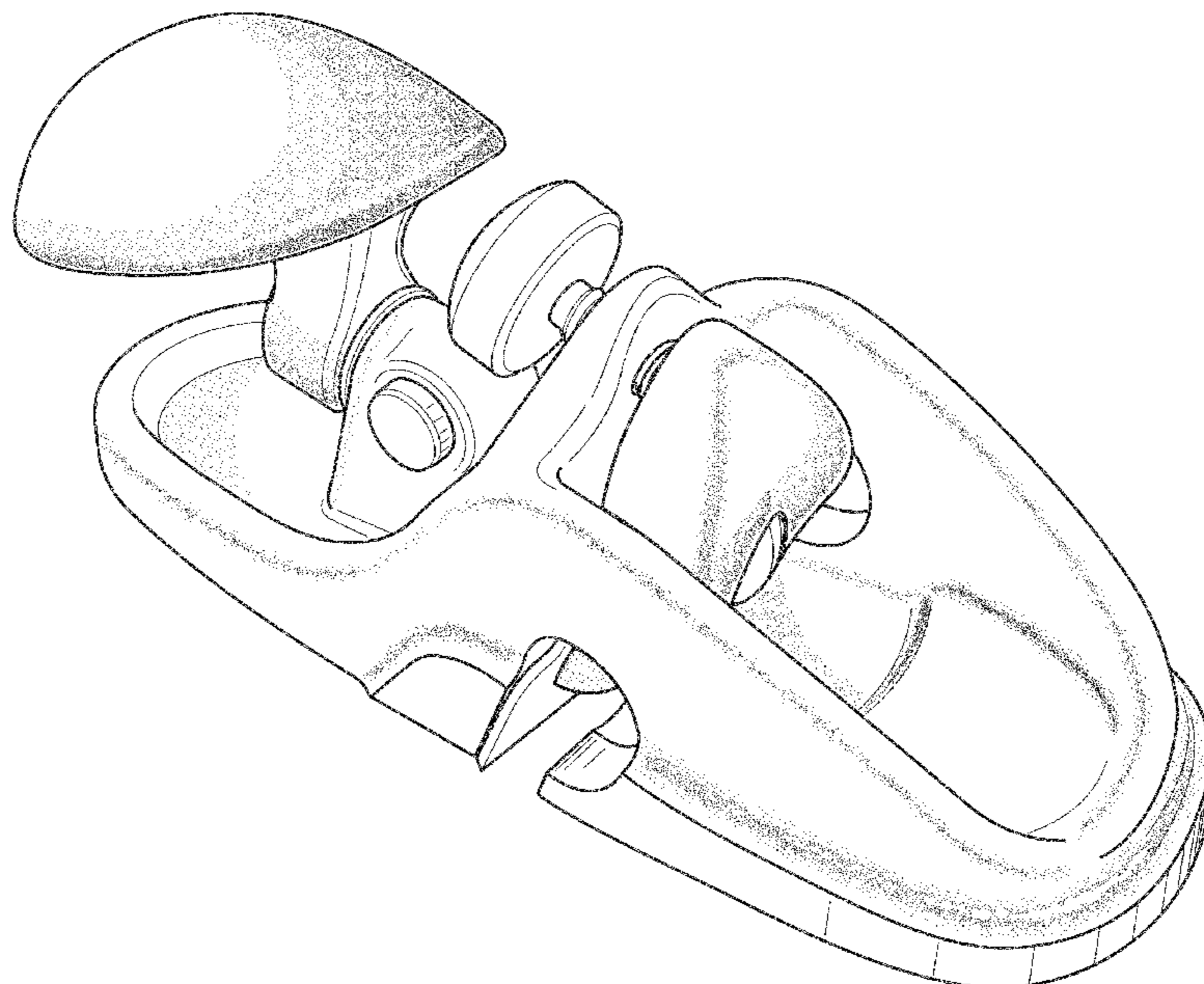
FIG. 4 is a back elevation view of the scraper plane of FIG. 1.

FIG. 5 is a front elevation view of the scraper plane of FIG. 1.

FIG. 6 is a top plan view of the scraper plane of FIG. 1; and,

FIG. 7 is a bottom plan view of the scraper plane of FIG. 1.

1 Claim, 6 Drawing Sheets



U.S. PATENT DOCUMENTS

368,003 A 8/1887 Polhemus
 406,392 A 7/1889 Finley
 D22,208 S 2/1893 Schade
 533,329 A 1/1895 Traut
 545,732 A 9/1895 Schade
 556,835 A 3/1896 Smith
 636,830 A 11/1899 Miller
 661,559 A 11/1900 Smith
 744,411 A 11/1903 Sarasin
 749,827 A 1/1904 Sjolander
 779,392 A 1/1905 Bjordal
 781,771 A 2/1905 Gardner
 787,054 A 4/1905 Schade et al.
 790,533 A 5/1905 Shontz
 805,841 A 11/1905 Carson
 816,980 A 4/1906 Hunter
 817,096 A 4/1906 Shontz
 821,525 A 5/1906 Nordquist
 837,978 A 12/1906 Traut
 857,514 A 6/1907 Beasley
 864,009 A 8/1907 Marks
 864,010 A 8/1907 Marks
 869,267 A 10/1907 Shaw
 917,568 A 4/1909 Ekman
 1,057,582 A 4/1913 Schade
 1,090,225 A 3/1914 Page
 1,098,706 A 6/1914 Bodmer
 1,149,703 A 8/1915 Vaughan
 1,221,436 A 4/1917 Gaede
 1,264,350 A 4/1918 Unsinger
 1,332,919 A 3/1920 Ritter
 1,361,125 A 12/1920 Wilson
 1,417,857 A 5/1922 Pfeiffer
 1,439,207 A 12/1922 Vaughan
 1,440,649 A 1/1923 Tvedt
 1,448,775 A 3/1923 Trump
 1,567,342 A 12/1925 Szako
 1,618,604 A 2/1927 Riggs
 1,645,781 A 10/1927 Szako
 1,722,742 A 7/1929 Gloschen
 1,726,124 A 8/1929 Rodionoff
 1,794,248 A 2/1931 Rolfe
 1,914,609 A 6/1933 MacAller
 1,929,504 A 10/1933 MacAller
 D93,763 S 11/1934 Dunn
 D137,230 S 2/1944 Oxhandler
 2,347,570 A 4/1944 Lavietes
 2,371,946 A 3/1945 Benn
 D141,110 S 5/1945 Doniger
 D159,339 S 7/1950 Huxtable
 2,550,766 A 5/1951 Bryant
 2,565,193 A 8/1951 Aubin
 2,568,665 A 9/1951 Shaler
 2,645,259 A 7/1953 Ackland
 2,648,363 A 8/1953 Weber
 2,655,721 A 10/1953 Einhorn
 2,682,699 A 7/1954 Merrill
 2,693,029 A 11/1954 Kass
 2,752,963 A 7/1956 Streckert
 2,758,619 A 8/1956 Swanson et al.
 2,839,109 A 6/1958 Wilson et al.
 3,028,892 A 4/1962 Filia
 3,523,348 A 8/1970 Nilsson
 3,710,467 A 1/1973 Coon et al.
 3,763,531 A 10/1973 Dancsik
 D231,822 S 6/1974 Carter
 3,983,595 A 10/1976 Knudsen et al.
 4,015,649 A 4/1977 Gilbert
 4,027,388 A 6/1977 Fletcher
 D247,545 S 3/1978 Banner
 4,088,165 A 5/1978 Andersson

D258,261 S 2/1981 Hayes
 D260,728 S 9/1981 Breger
 4,444,235 A 4/1984 Hott
 4,492,260 A 1/1985 Whiteford
 D277,641 S 2/1985 Hayes et al.
 4,498,513 A 2/1985 Derivaz
 D281,857 S 12/1985 Groves
 4,589,209 A 5/1986 Zarges et al.
 5,459,928 A 10/1995 Lynn et al.
 5,694,696 A 12/1997 Lee et al.
 5,711,515 A 1/1998 Nishimura
 5,940,970 A 8/1999 D'Ambro et al.
 D435,777 S 1/2001 Jones et al.
 6,347,456 B1 2/2002 Jones et al.
 6,615,497 B1 9/2003 Saunders et al.
 D481,288 S 10/2003 Saunders
 6,708,412 B2 3/2004 Saunders et al.
 7,117,602 B2 10/2006 Saunders
 D563,190 S 3/2008 Lee et al.
 7,444,750 B2 11/2008 Saunders
 2003/0037446 A1 2/2003 Saunders et al.
 2004/0068878 A1 4/2004 Lin
 2004/0074098 A1 4/2004 Schwarz et al.
 2005/0061398 A1 3/2005 Saunders
 2005/0188553 A1 9/2005 Lee et al.
 2005/0229409 A1 10/2005 Lee et al.

FOREIGN PATENT DOCUMENTS

DE 0046033 12/1887
 DE 20215203 U1 11/2002
 GB 2280868 2/1995
 GB 2391828 4/2005
 SE 149704 12/1951
 SE 134377 1/1952

OTHER PUBLICATIONS

“12-052-10 Blade Plough Combination Plane”.
 “1998/1999 Issue of Lee Valley & Veritas(r) Catalog”, , 26 & 27.
 “Bench Rabbet Plane”, *Lie-Nielsen Toolworks USA*, www.lienielsen.com/catalog.php?prp=1210 Apr. 10, 2006, 1-3.
 “Iron Side Rabbet Planes 1860-1938, Stanley 98 RH”, www.antiquetools.com/perm-col/west-wing/big_29.html.
 “Lee Valley.Veritas Low Angle Smoothing Plane—Detailed Review”, *The Stanley #164*, OnlineToolReviews.com, http://www.onlinetoolreviews.com/reviews/veritaslowanglesmoother.htm May 22, 2007, 2.
 “Lie-Nielsen Side Rabbet Plane Set”, http://www.woodcraft.com/family.aspx?FamilyID=3646 printed Mar. 13, 2008.
 “Picture of Stanley 112 Cabinet Scraper Plane”, http://www.goantiques.com/scripts/images,id,823461.html.
 “Rabbet Plane N/R Record #073”, http://cgi.ebay.com/ws/eBay/SAPI.dll?ViewItem&Item=6148715131&category=13874.
 “Rabbet Planes”, *Woodcraft Supply Corporation* printed Jul. 19, 2004, www.shop.woodcraft.com.
 “Rabbet planes and chisel planes”, *Dieter Schmid-Fine Tools*, www.fine-tools.com Jul. 3, 2004.
 “Record No. 073”, http://home.pacbell.net/dprice1/plane5.jpg Jan. 23, 2005.
 “Record No. 073”, http://www.hansbrunnertools.gil.com.us/images/MetalPlanes/Record073.jpg Jan. 23, 2005.
 “Record No. 073”, http://www.theoldtoolshop.fsnet.co.uk/mainpics/SR053.jpg Jan. 23, 2005.
 “Shop Solutions, Scraper Holder”, *Shopnotes, Issue 3*, 26.
 “Spoon Shave”, http://www.woodcraft.com/images/family/web4867big.jpg Jun. 28, 2006.
 “Stanley 79 Front, Iron Side Rabbet Planes 1860-1938”, www.antiquetools.com/perm-col/west-wing/big_66.html.
 “Stanley 79 Rear, Iron Side Rabbet Planes 1860-1938”, www.antiquetools.com/perm-col/west-wing/big_67.html.
 “Stanley Rabbet Planes, Nos. 90, 92 & 93”, *Woodcraft Supply Corporation* printed Jul. 19, 2004, www.shop.woodcraft.com.

“The Superior Works: Patrick’s Blood and Gore Planes #71-#87”, http://www.supertool.com/St Stanley_BG/stan10.htm Jul. 28, 2004.

“The Superior Works: Patrick’s Blood and Gore Planes #141-196, #164 Low Angle Plane”, <http://www.supertool.com/St StanleyBG/stan13.htm> May 22, 2007, p. 4.

“The Superior Works: Patrick’s Blood and Gore Planes #60-#70, #62 Low Angle Block Plane”, <http://supertool.com/St StanleyBG/St Stanley9.htm> May 22, 2007, p. 3.

“The Superior Works: Patrick’s Blood and Gore Planes #9-#11½, #9 Cabinetmaker’s Block Plane”, <http://www.supertool.com/St StanleyBG/stan2.htm> May 22, 2007, pp. 1-2.

“Various View of Extra Special Bench Plane”, , 5 pgs.

Item Numbered T, “Highland Hardware Catalog titled Woodworking Tools, Books & Supplies”, *Fall 91/Winter 92*, 83.

Item Numbered U, “Highland Hardware Catalog titled Woodworking Tools, Books & Supplies”, *Fall 91/Winter 92 Catalog*, 83.

Item Numbered V, “Highland Hardware Catalog titled Woodworking Tools, Books & Supplies”, *Fall 91/Winter 92*, 83.

Lee, Leonard “The Complete Guide to Sharpening, A Fine Woodworking Book”, , pp. 229-233.

Walter, John “Antique & Collectible Stanley Tools Guide to Identity and Value”, #112 *Cabinet Scraper Plane, The Tool Merchant*, Marietta, Ohio Sep. 1996.

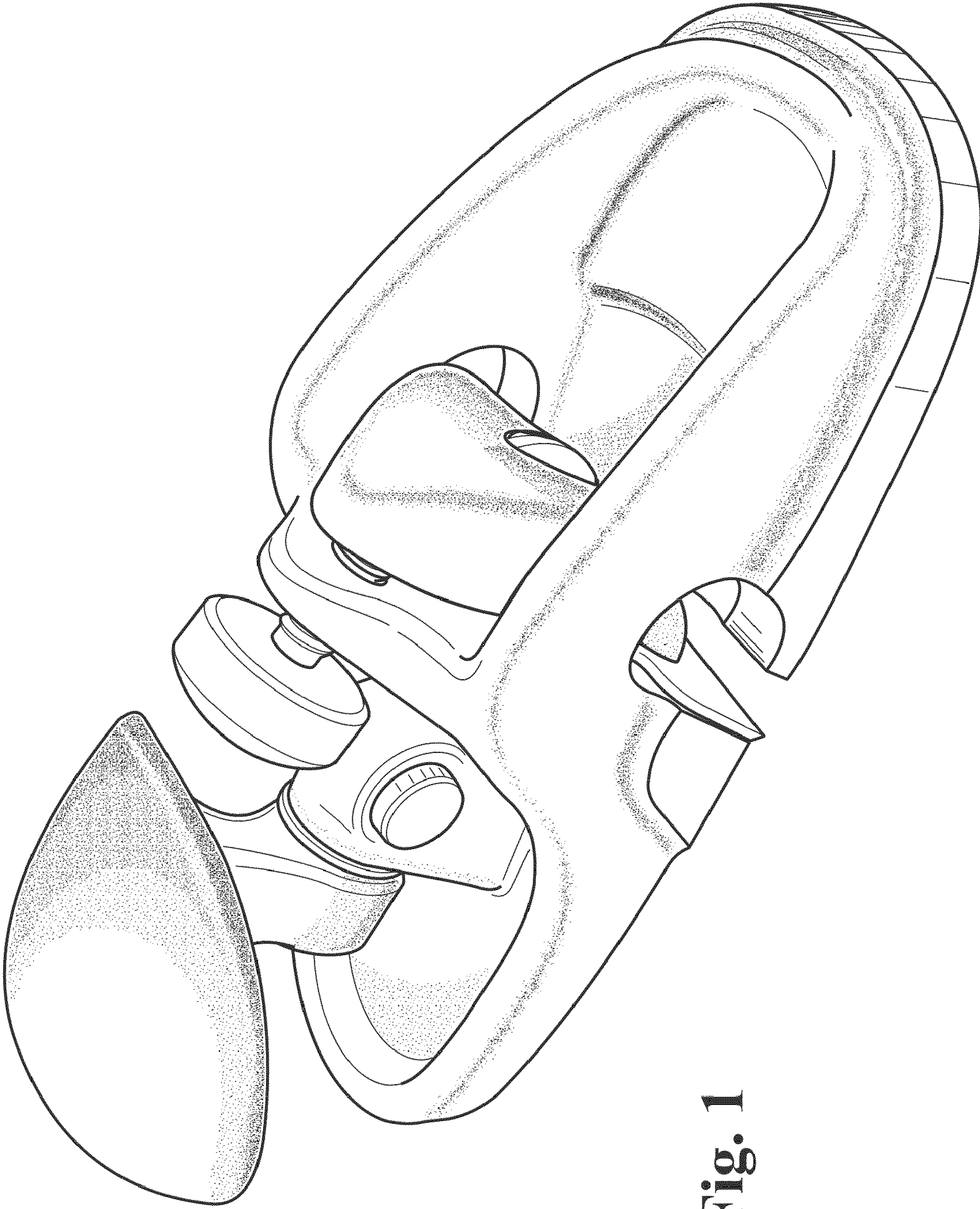


Fig. 1

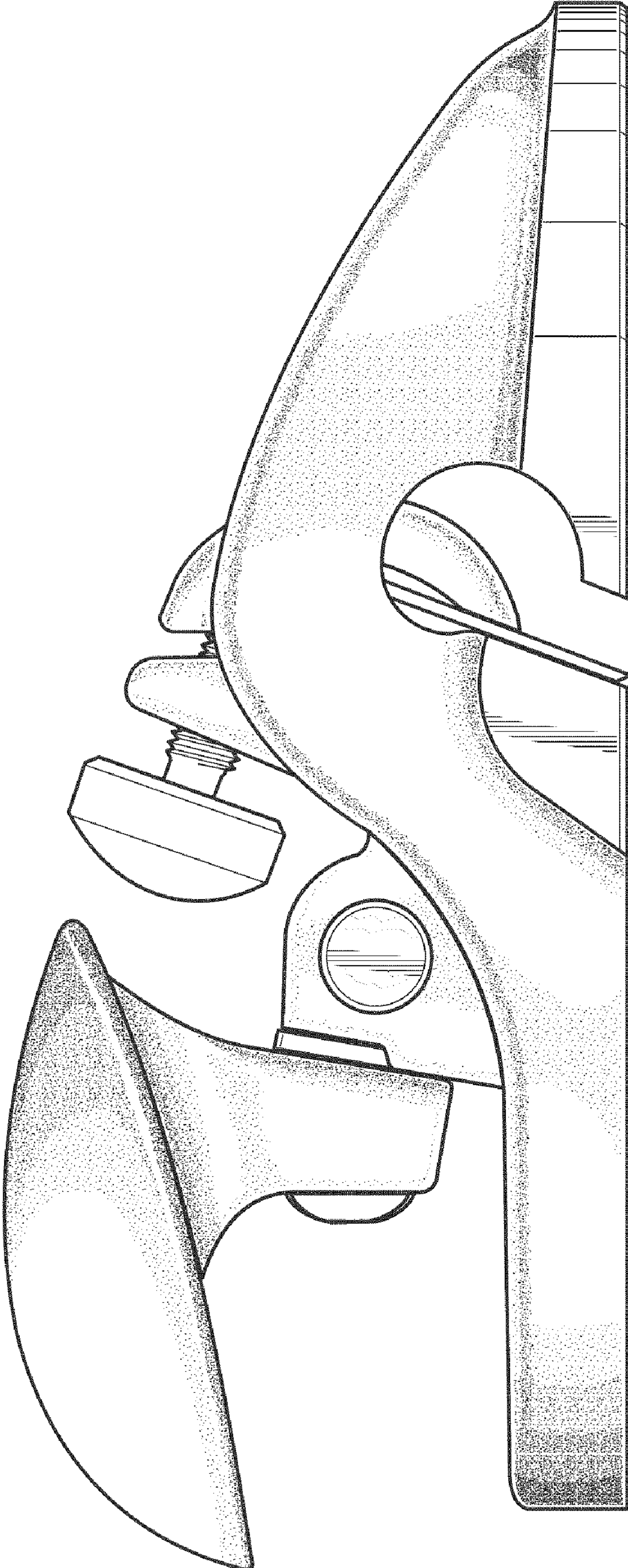


Fig. 2

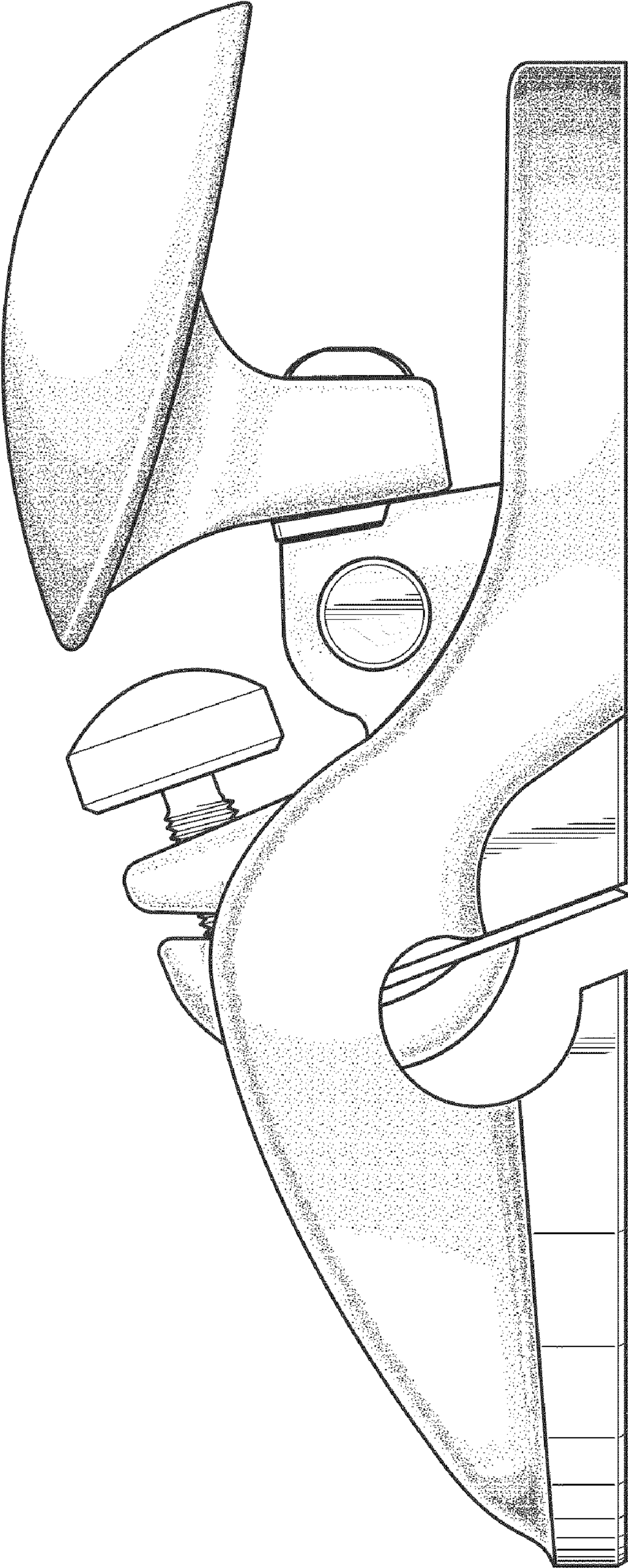


Fig. 3

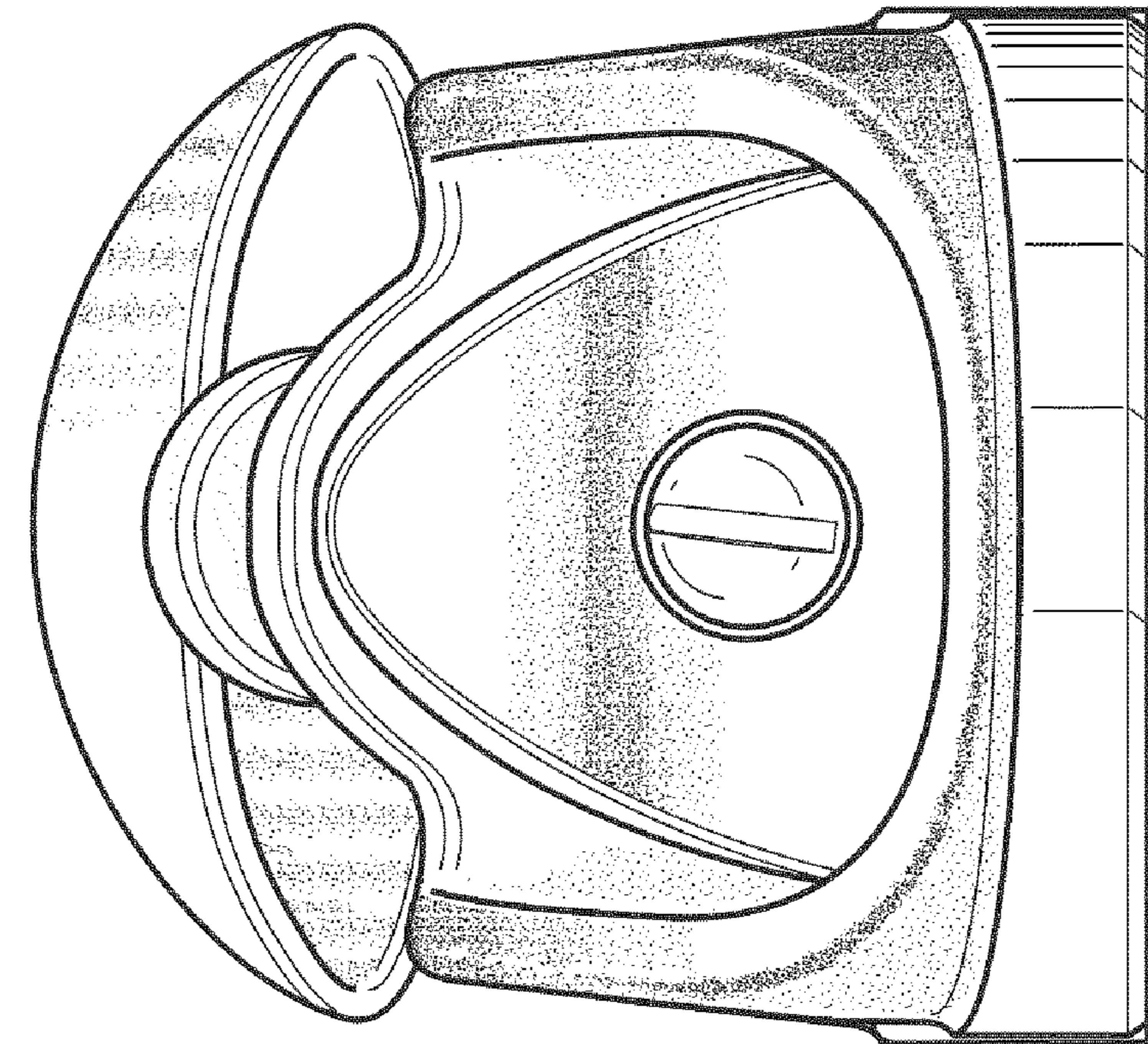


Fig. 5

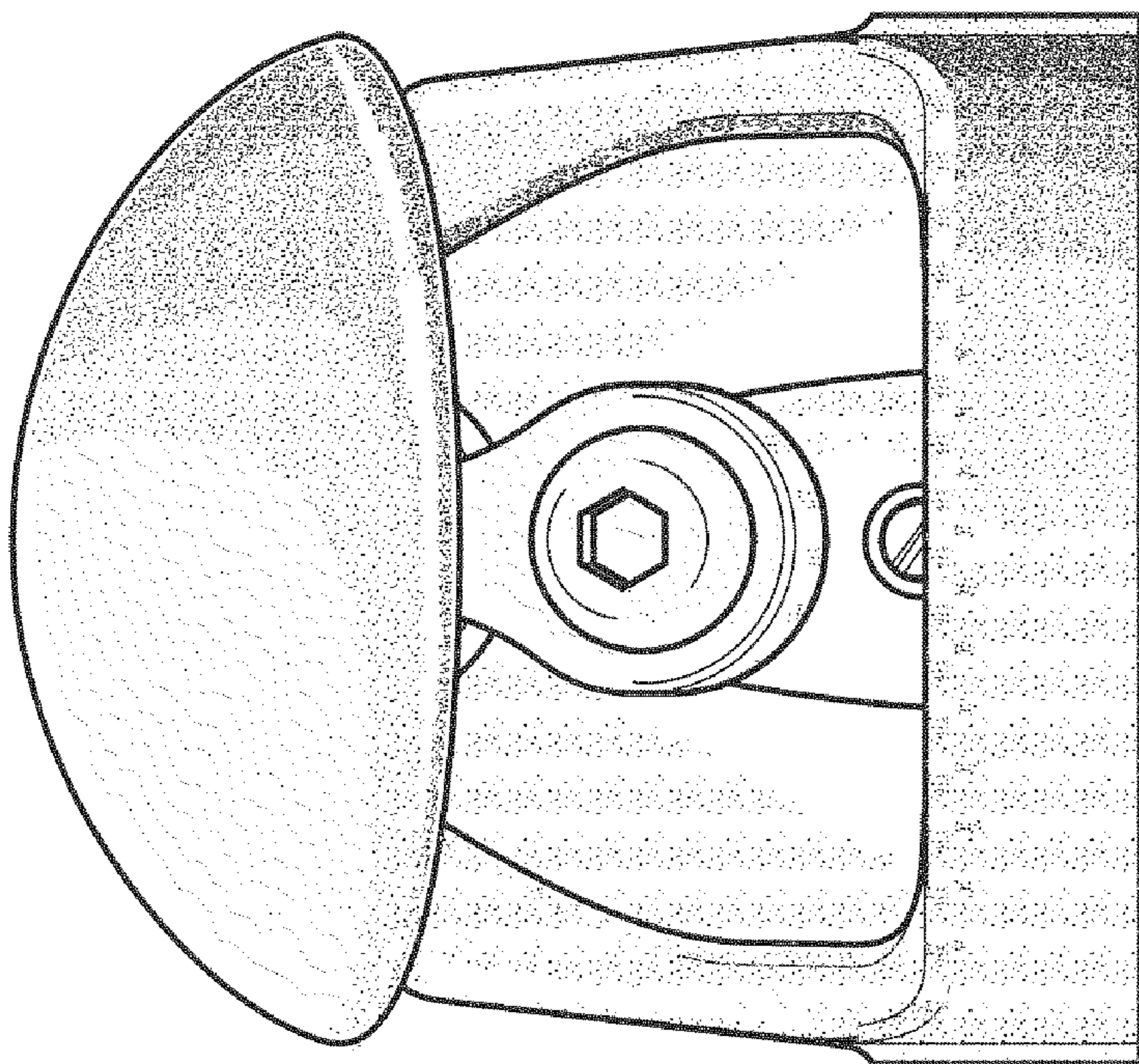


Fig. 4

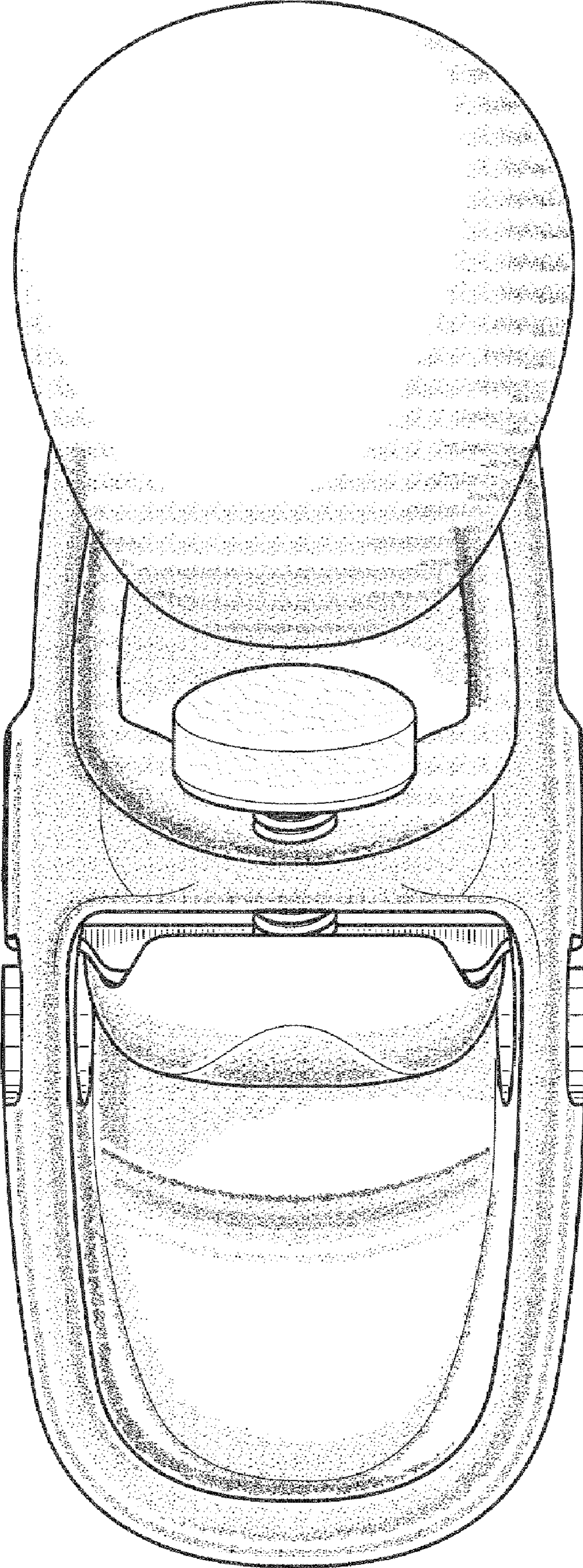


Fig. 6

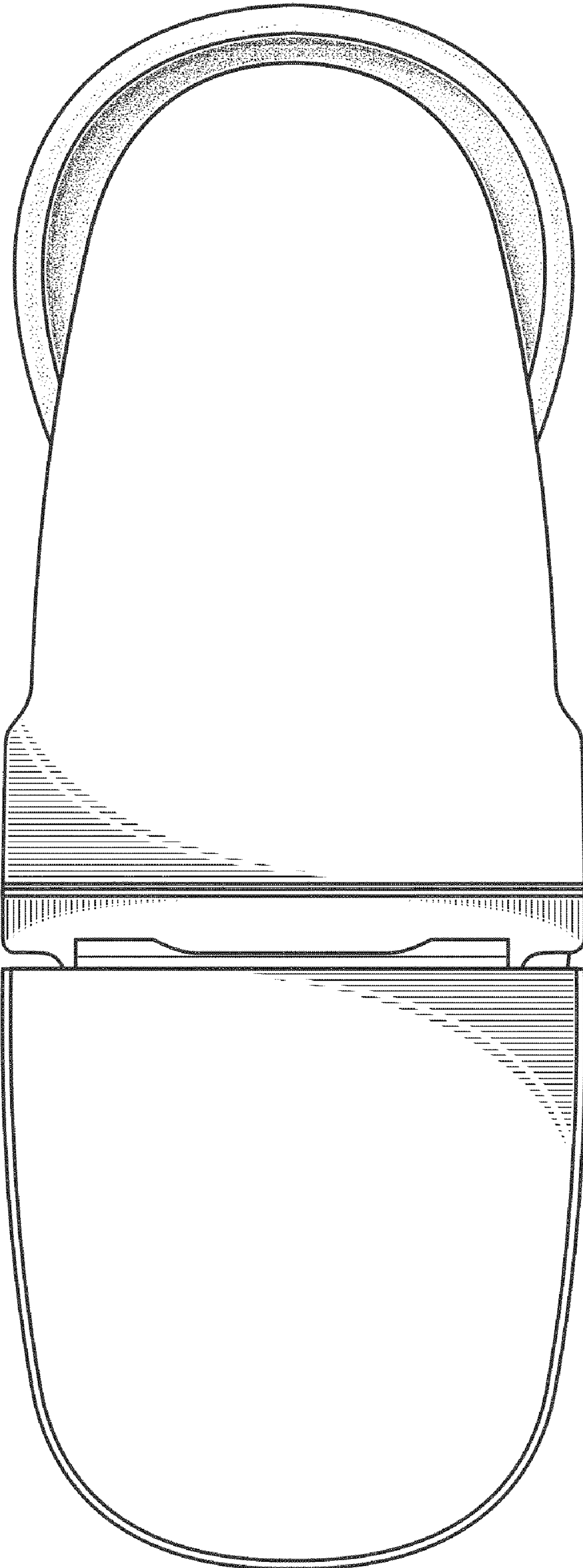


Fig. 7