



US00D609545S

(12) **United States Design Patent**  
**Ueno et al.**

(10) **Patent No.:** **US D609,545 S**

(45) **Date of Patent:** **\*\* Feb. 9, 2010**

(54) **GRINDSTONE**

D427,042 S \* 6/2000 Dibbern et al. .... D8/70

(75) Inventors: **Kazuhisa Ueno**, Uji (JP); **Katsuji Sunagawa**, Uji (JP); **Izumi Araki**, Uji (JP); **Eiki Sakaguchi**, Uji (JP)

\* cited by examiner

*Primary Examiner*—Antoine D Davis

(74) *Attorney, Agent, or Firm*—Gerald E. Hespos; Anthony J. Casella

(73) Assignee: **Sanwa Kenma, Ltd.** (JP)

(\*\*) Term: **14 Years**

(57) **CLAIM**

(21) Appl. No.: **29/331,843**

The ornamental design for a grindstone, as shown and described.

(22) Filed: **Feb. 3, 2009**

**DESCRIPTION**

(51) **LOC (9) Cl.** ..... **08-05**

FIG. 1 is a perspective view of a grindstone;

(52) **U.S. Cl.** ..... **D8/70; D15/126**

FIG. 2 is a front view thereof, the opposite side being an identical image of the side shown herein;

(58) **Field of Classification Search** ..... D8/70; D15/126; 30/388; 83/589, 663, 665, 676, 83/821; 125/15; 144/218; 451/548–551

FIG. 3 is a left side view thereof, the opposite side being an identical image of the side shown herein; and,

See application file for complete search history.

FIG. 4 is a top view thereof.

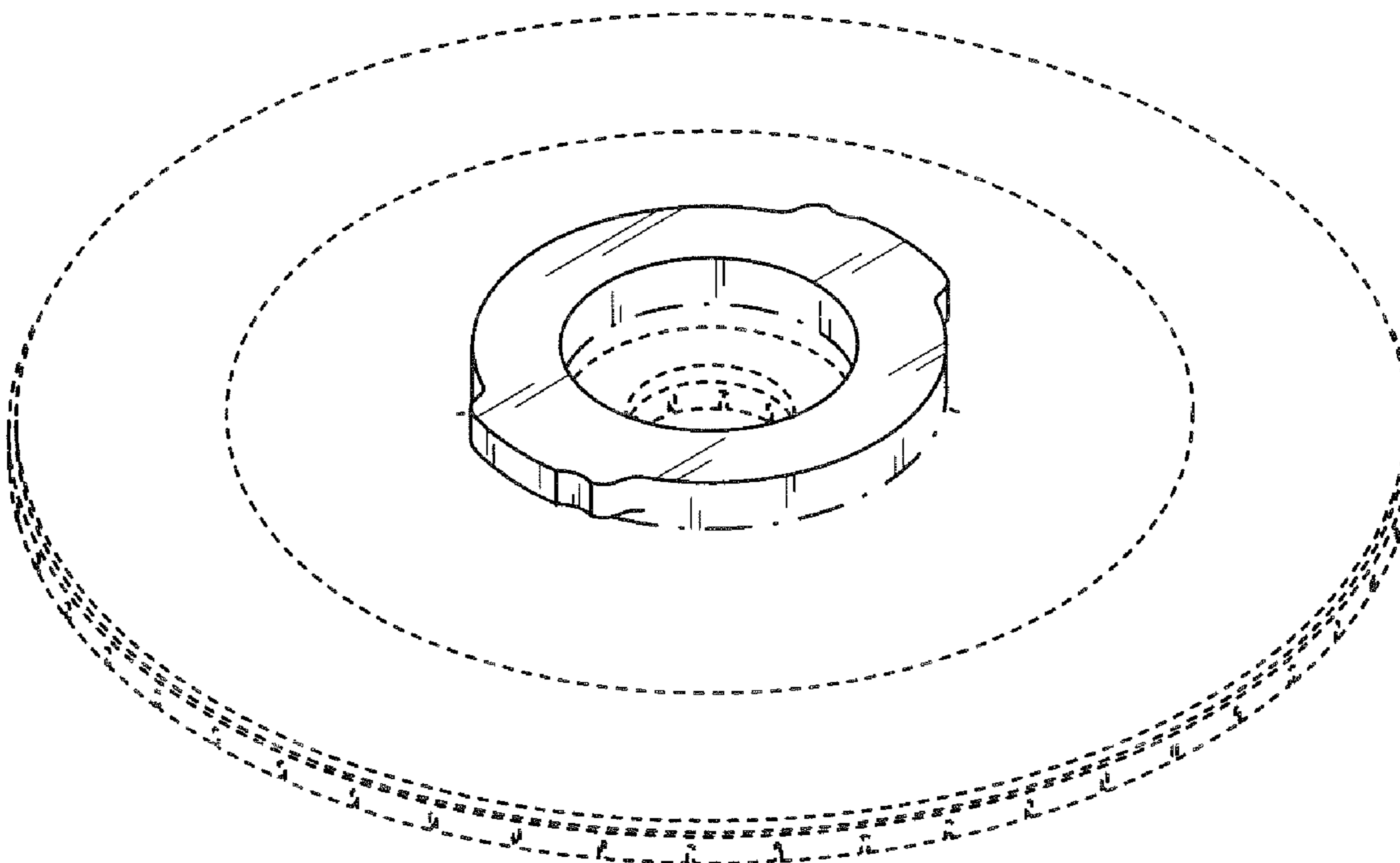
(56) **References Cited**

The portion shown by broken lines is for illustrative purposes only and forms no part of the claimed design. The dashed lines show a borderline between the claimed design and other portion.

**U.S. PATENT DOCUMENTS**

- 5,373,834 A \* 12/1994 Chiuminata et al. .... 125/15
- 5,901,629 A \* 5/1999 Stroud ..... 83/665
- D424,076 S \* 5/2000 Dibbern et al. .... D8/70

**1 Claim, 2 Drawing Sheets**



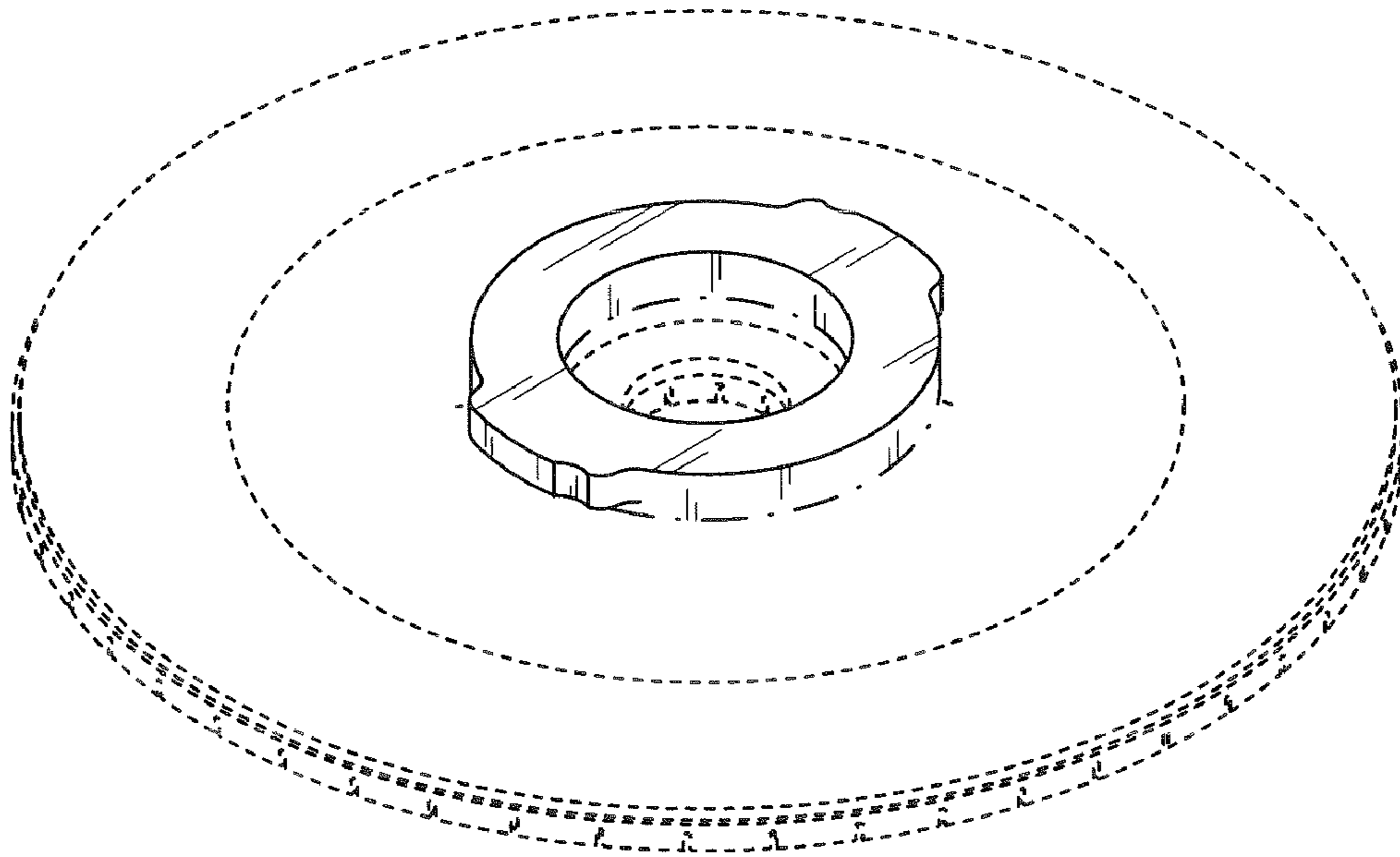


Fig. 1

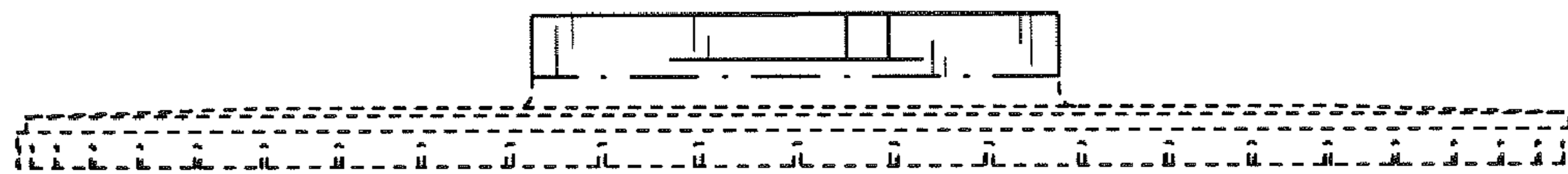


Fig. 2

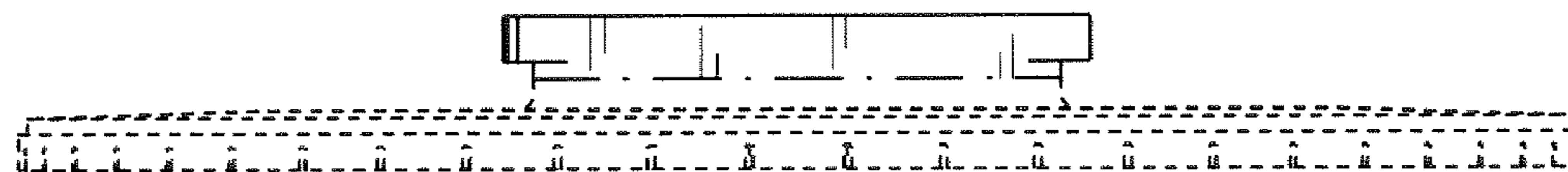


Fig. 3

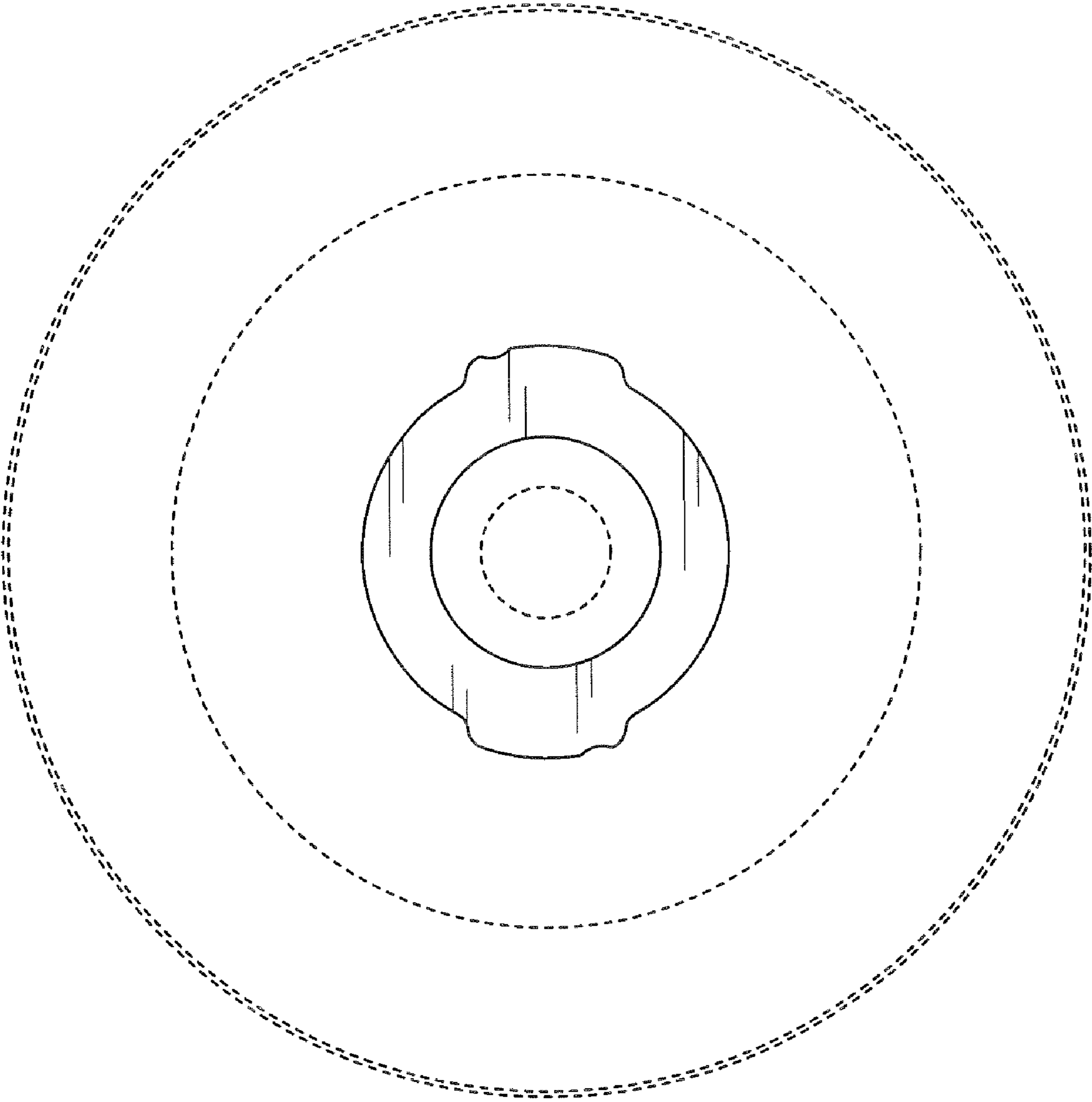


Fig.4