



US00D609544S

(12) **United States Design Patent**
Lopano et al.

(10) **Patent No.:** **US D609,544 S**
(45) **Date of Patent:** **** Feb. 9, 2010**

(54) **DRILL DRIVER**

FOREIGN PATENT DOCUMENTS

(75) Inventors: **Daniel N. Lopano**, Bel Air, MD (US);
Gabriel E. Concari, Eldersburg, MD
(US); **Sion Netzler**, Abingdon, MD (US)

CH 386808 4/1965

(Continued)

(73) Assignee: **Black & Decker, Inc.**, Newark, DE (US)

OTHER PUBLICATIONS

(**) Term: **14 Years**

Drawings and photographs of power tools existing before the filing date of the present application; online: <http://www.hitachi-koki.co.jp/powertools/products/drill/wh14dbl/wh14dbl.html>; printed Jan. 10, 2008.

(21) Appl. No.: **29/332,734**

(22) Filed: **Feb. 24, 2009**

(Continued)

(51) **LOC (9) Cl.** **08-04**

Primary Examiner—Antoine D Davis

(52) **U.S. Cl.** **D8/68**

(74) *Attorney, Agent, or Firm*—Scott B. Markow

(58) **Field of Classification Search** D8/14.1,
D8/61, 62, 63, 64, 65, 66, 67, 68, 69, 70;
81/57.11, 429, 454, 455, 456, 469, 489; 173/13,
173/104, 114, 168, 169, 170, 171, 178, 201,
173/211, 213, 217; 408/20, 124, 125, 234,
408/241 R; 451/358; 310/50; 227/8, 113,
227/114, 120, 130, 136, 142

(57) **CLAIM**

The ornamental design for a drill driver, as shown and described.

See application file for complete search history.

DESCRIPTION

(56) **References Cited**

FIG. 1 is a perspective view of the a drill driver.

U.S. PATENT DOCUMENTS

FIG. 2 is a front view of the drill driver.

3,019,673 A 2/1962 Sjostrand et al.
3,488,825 A 1/1970 Lundgren
4,330,093 A 5/1982 Chapman, Jr.
D295,714 S 5/1988 Sasaki et al.
D298,509 S 11/1988 Brosius et al.
4,858,811 A 8/1989 Brosius et al.
D314,320 S 2/1991 Brosius et al.
D323,276 S 1/1992 Fushiya et al.
D329,580 S 9/1992 Sasaki et al.

FIG. 3 is a rear view of the drill driver.

FIG. 4 is a left view of the drill driver.

FIG. 5 is a right view of the drill driver.

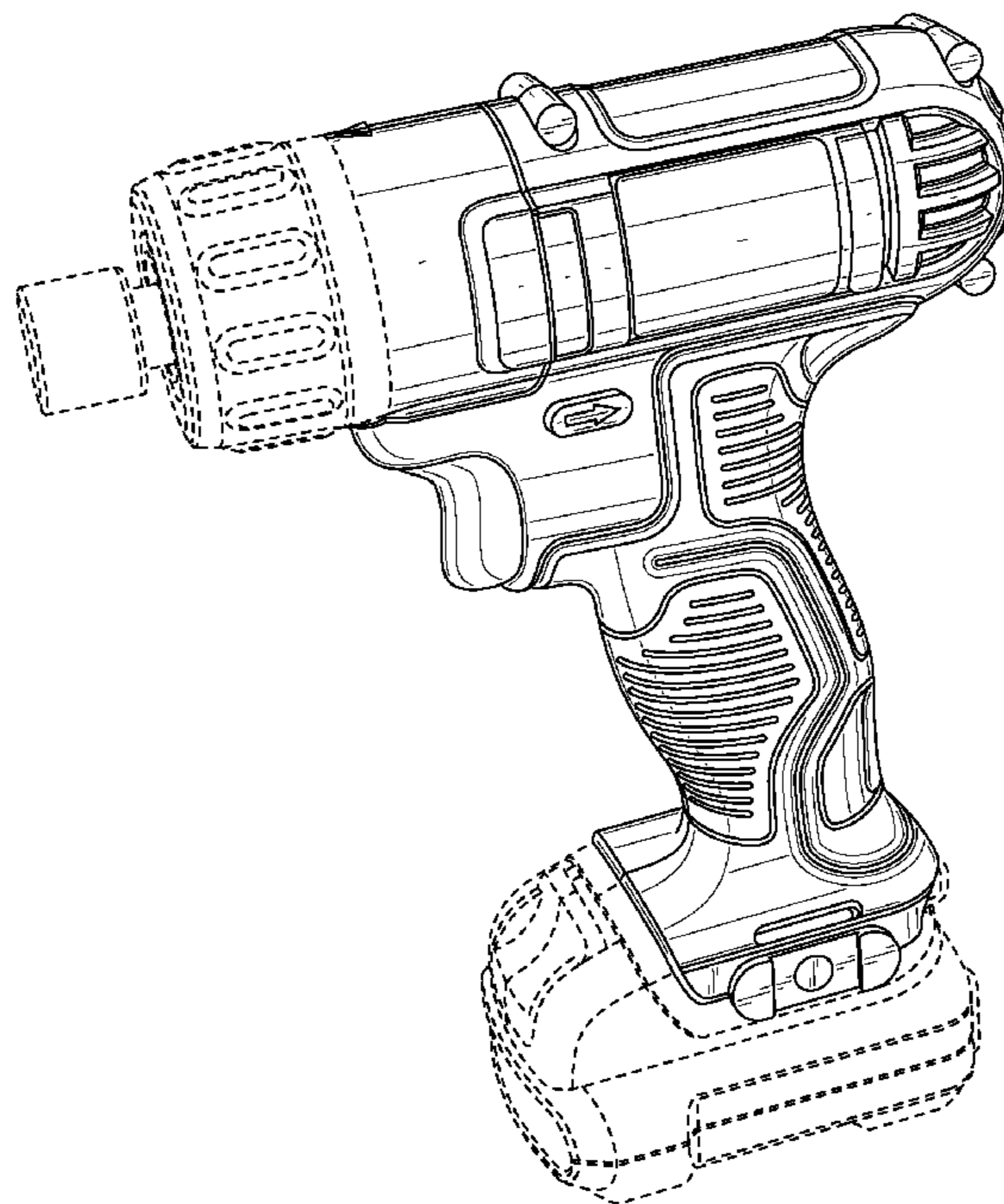
FIG. 6 is a top view of the drill driver; and,

FIG. 7 is a bottom view of the drill driver.

The portions in broken lines do not form any part of the claimed design.

(Continued)

1 Claim, 5 Drawing Sheets



US D609,544 S

Page 2

U.S. PATENT DOCUMENTS

D340,393	S	10/1993	Okumura	
5,353,474	A	10/1994	Good et al.	
D380,952	S	7/1997	Kim	
D388,678	S	1/1998	Bantly et al.	
D393,580	S	4/1998	Bantly et al.	
D393,581	S	4/1998	McCallops et al.	
D395,387	S	6/1998	Snider	
5,778,989	A	7/1998	Neumaier	
D413,242	S	8/1999	Robson	
6,161,256	A	12/2000	Quiring et al.	
D440,850	S	4/2001	Ozawa et al.	
6,392,381	B1	5/2002	Chen	
D458,103	S	6/2002	Chen	
D458,824	S	6/2002	Chen	
D459,177	S	6/2002	Chen	
D460,907	S *	7/2002	Geis	D8/68
D462,248	S *	9/2002	Cooper	D8/68
D466,777	S *	12/2002	Watson	D8/68
D467,147	S *	12/2002	Watson	D8/68
D467,483	S	12/2002	Heun	
D472,781	S	4/2003	Netzler	
D475,596	S	6/2003	Ozawa et al.	
D477,205	S	7/2003	Sakai et al.	
6,615,930	B2	9/2003	Bongers-Ambrosius et al.	
D484,385	S	12/2003	Sakai et al.	
6,729,415	B1	5/2004	Huang	
D496,843	S	10/2004	Sugawara et al.	
6,799,643	B2	10/2004	Voulkidis et al.	
D499,945	S	12/2004	Sugawara et al.	
D500,653	S	1/2005	Concari	
6,905,052	B2	6/2005	Sakai et al.	
D506,914	S *	7/2005	Okuda	D8/68
D508,642	S	8/2005	Kokawa et al.	
D508,836	S	8/2005	Schiller et al.	
D509,119	S	9/2005	Schiller et al.	
D519,808	S	5/2006	Otsuka et al.	
D520,832	S	5/2006	Ozawa et al.	
D520,834	S	5/2006	Furuta et al.	
D524,136	S	7/2006	Taniguchi et al.	
D525,099	S	7/2006	Nagasaka et al.	
D525,505	S	7/2006	Ito et al.	
D525,848	S	8/2006	Kokawa	
D527,237	S	8/2006	Otsuka et al.	
D527,971	S	9/2006	Kokawa	
D528,888	S	9/2006	Nagasaka et al.	
7,108,079	B2	9/2006	Sakai et al.	
D529,776	S *	10/2006	Chen	D8/68
D531,476	S	11/2006	Kokawa et al.	
7,134,510	B2	11/2006	Justis et al.	
7,140,451	B2	11/2006	Yoshimizu et al.	
D533,422	S	12/2006	Ino et al.	
D533,423	S	12/2006	Ino et al.	
D536,591	S *	2/2007	Ghode et al.	D8/68
D536,943	S *	2/2007	Tsai et al.	D8/68
D539,110	S	3/2007	Okuda et al.	
7,185,998	B2	3/2007	Oomori et al.	
D540,639	S	4/2007	Watson	
D540,640	S	4/2007	Clay	
D543,081	S	5/2007	Watson	
D545,159	S	6/2007	Schoen et al.	
D546,154	S	7/2007	Fong et al.	
D551,047	S	9/2007	Lopano	
D556,002	S	11/2007	Ino	
D559,060	S *	1/2008	Lopano	D8/68
7,325,627	B2	2/2008	Tanji	
7,385,795	B2 *	6/2008	Denning	361/101
D577,272	S *	9/2008	Murray et al.	D8/68
D582,236	S *	12/2008	Chen	D8/68
D582,237	S *	12/2008	Chen	D8/68
2002/0100347	A1	8/2002	Daubinger et al.	
2003/0159843	A1	8/2003	Sakai et al.	

2004/0029426	A1	2/2004	Lui et al.
2004/0106036	A1	6/2004	Geis et al.
2005/0121209	A1	6/2005	Shimizu et al.
2005/0269884	A1	12/2005	Teranishi et al.
2006/0048959	A1	3/2006	Sakai et al.
2006/0060366	A1	3/2006	Bodine et al.
2006/0075605	A1	4/2006	Lagaly et al.
2006/0102367	A1	5/2006	Etter et al.
2006/0143866	A1	7/2006	Lagaly et al.
2006/0175069	A1	8/2006	Sakakibara et al.
2006/0243469	A1	11/2006	Webster
2007/0277987	A1	12/2007	Meyer et al.

FOREIGN PATENT DOCUMENTS

DE	3324545	1/1985
DE	19716804.3	10/1998
DE	29918101	2/2000
DE	19933015	5/2000
DE	10124537.8	2/2002
DE	10260324	9/2003
DE	102006020172.8	11/2007
EP	0 142 650	5/1985
EP	0142650	5/1985
EP	0 261 260	3/1988
EP	0868265	7/1998
EP	1033207	9/2000
EP	1364138	8/2002
EP	1321246	6/2003
EP	1449625	8/2004
EP	1516702	3/2005
EP	1533086	5/2005
EP	1 690 649	8/2006
EP	1795311	6/2007
EP	1903657	3/2008
GB	2 169 541	7/1986
JP	6-70564	10/1994
JP	09-002550	1/1997
JP	9239672	9/1997
JP	10044054	2/1998
JP	10-086078	4/1998
JP	2000070777	3/2000
JP	D1108845	3/2001
JP	2001-198856	7/2001
JP	2003-039346	2/2003
JP	2003211374	7/2003
JP	D1187794	8/2003
JP	2003-245876	9/2003
JP	2003-290689	10/2003
JP	D1201916	2/2004
JP	2004-174670	6/2004
JP	2004-174671	6/2004
JP	D1123614	8/2004
JP	2004-261906	9/2004
JP	4013782	9/2004
JP	2004249422	9/2004
JP	2005-035286	2/2005
JP	US 2006/0175069	2/2005
JP	2005-199406	7/2005
JP	2005297119	10/2005
JP	2006-000948	1/2006
JP	2006-116626	5/2006
JP	2006-123086	5/2006
JP	2007-307626	11/2007
WO	WO2008/035811	3/2008
WO	WO2008/090830	7/2008
WO	WO2008/058788	11/2008
WO	WO2009/001592	12/2008

OTHER PUBLICATIONS

Drawings and photographs of power tools existing before the filing date of the present application; Powerpoint presentation.

US D609,544 S

Page 3

Drawing and photograph of power tools existing before the filing date of the present application; Panasonic Power Tool—online: http://www2.panasonic.com/consumer-electronics/shop/Building-Products/Cordless-Tools/Drill-Drivers/model.EY7440LN2S_11002_700000000000005702; printed Feb. 7, 2008.
Search Report for European application no. 1 690 649 dated May 17, 2006.

Hitachi Cordless Driver Drill DB1ODL, Handling instructions, http://www.hitachi-koki.com/manual_view_export/pdf_manual_view.do?implementationWorkNumber=710&partsCode=C99167821&model=DB10DL&marketSeq=5, online, cover page, pp. 1 and 48, printed Apr. 1, 2009.

* cited by examiner

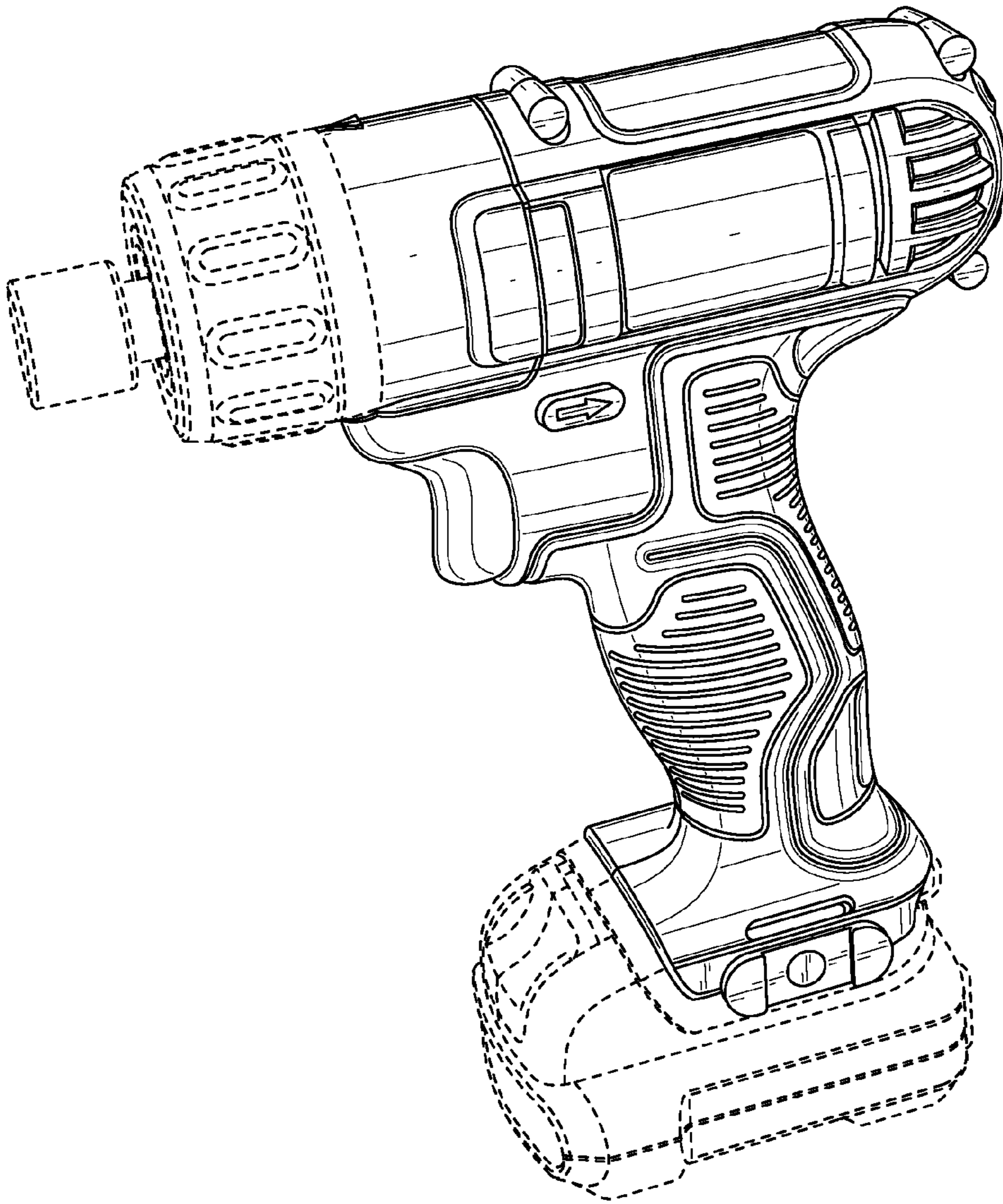


FIG. 1

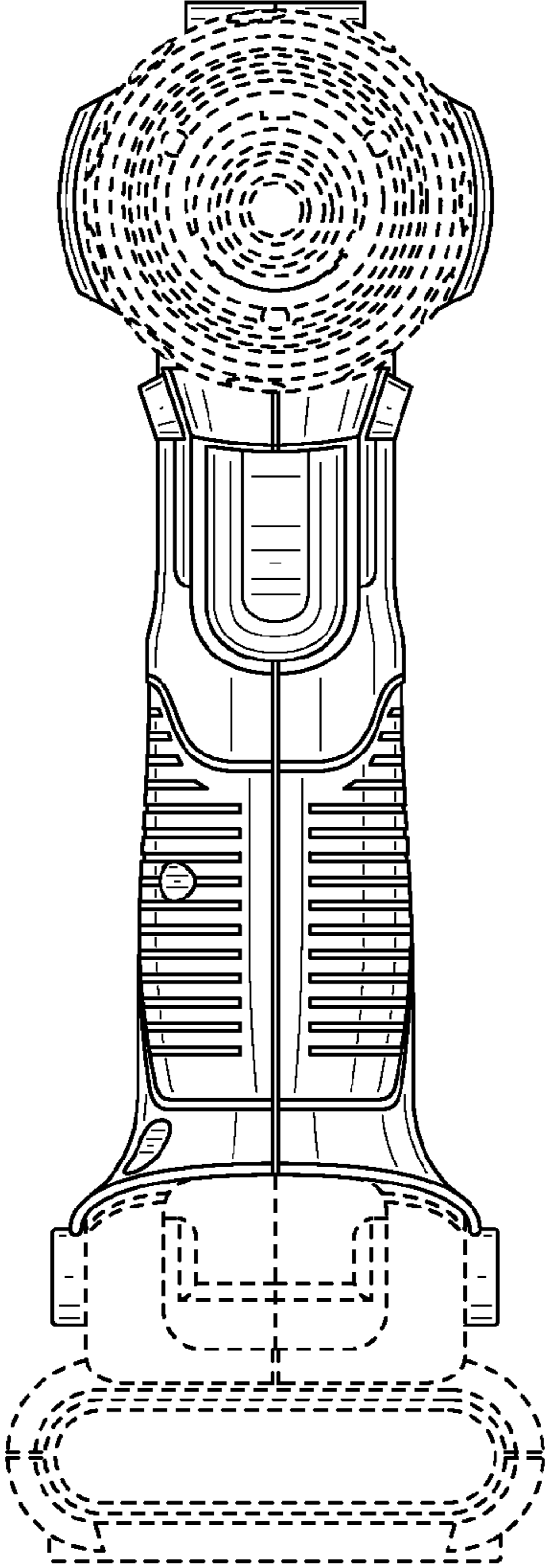


FIG. 2

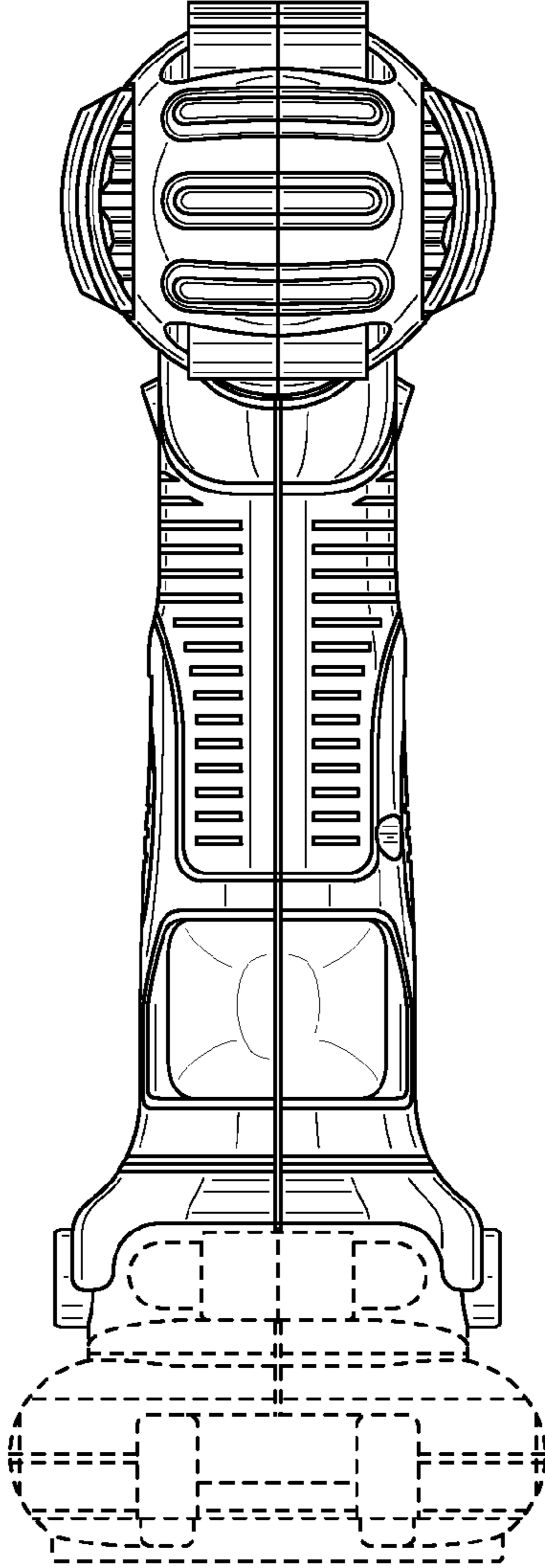


FIG. 3

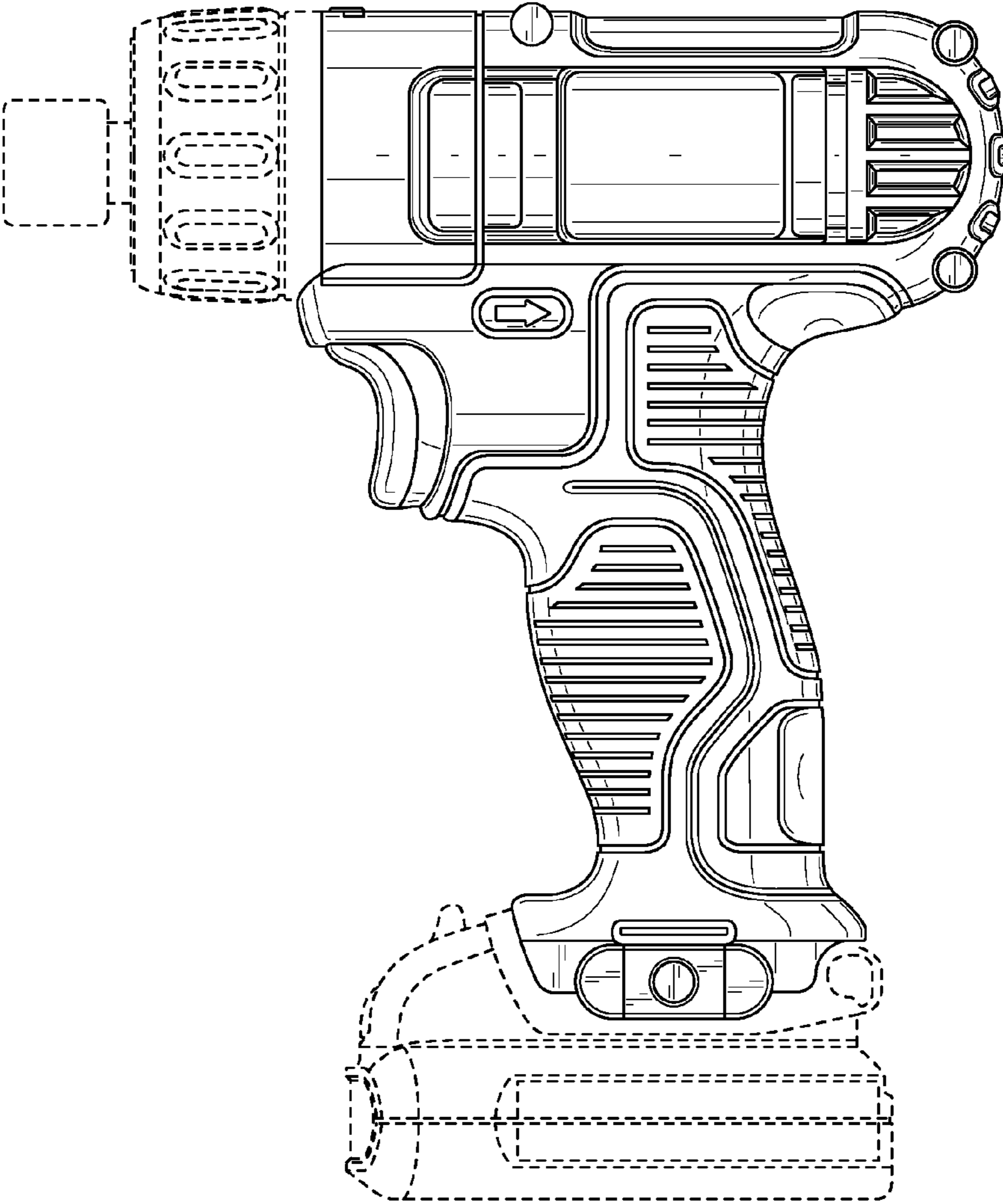


FIG. 4

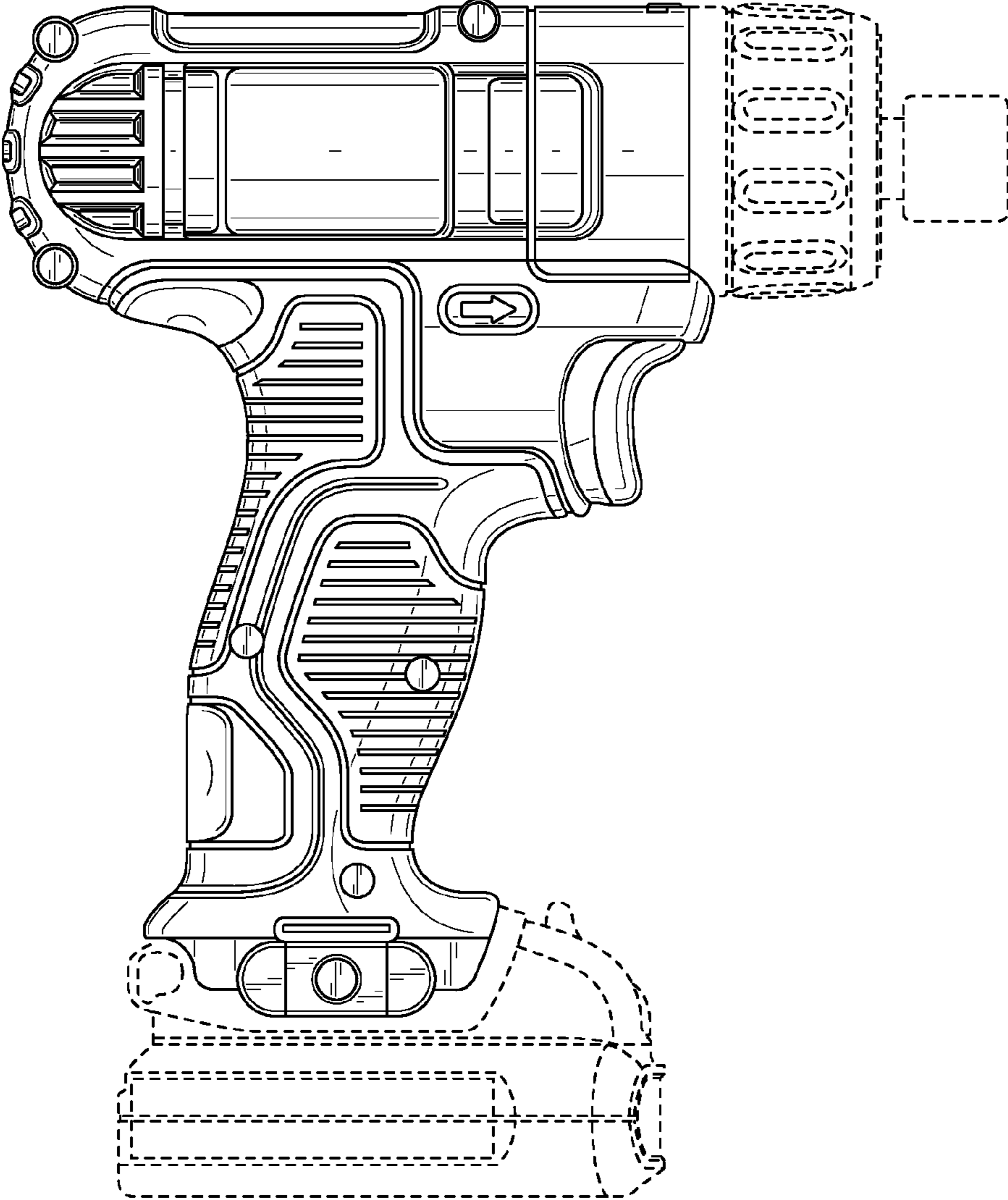


FIG. 5

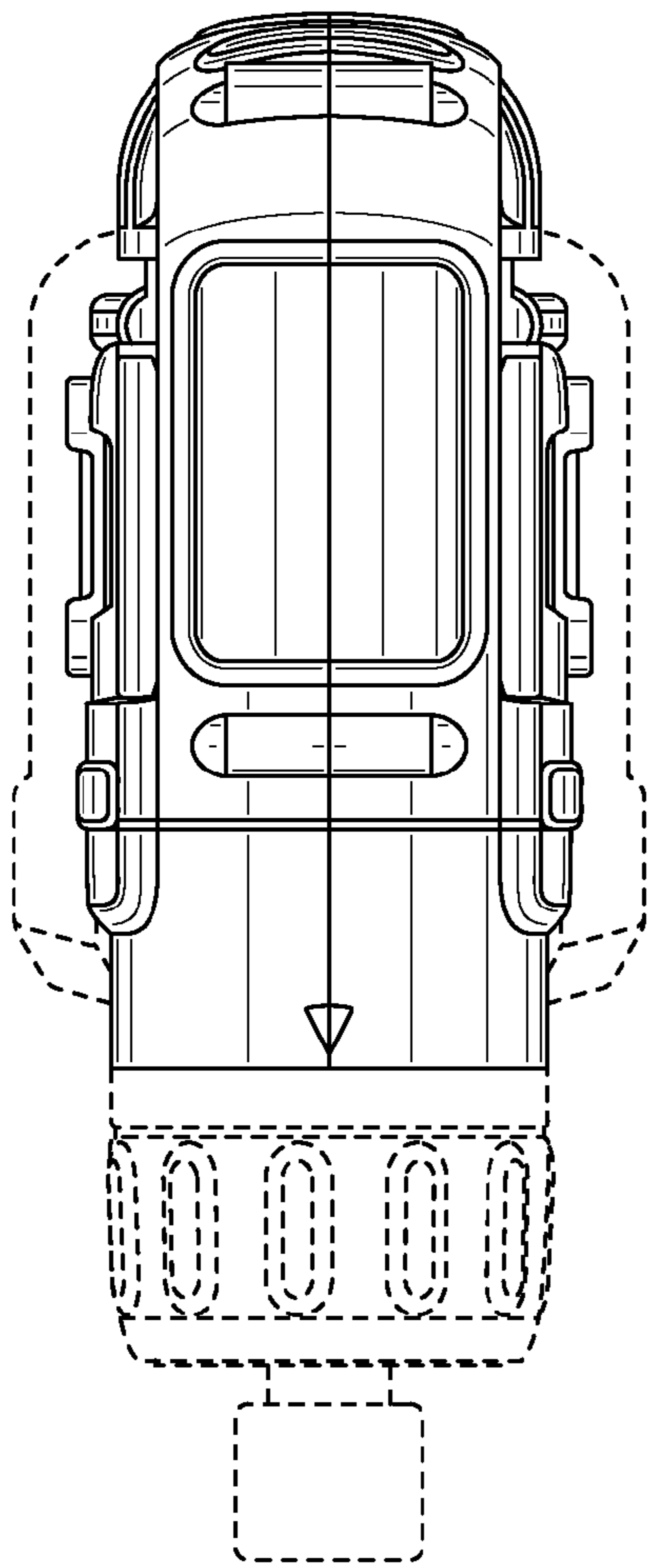


FIG. 6

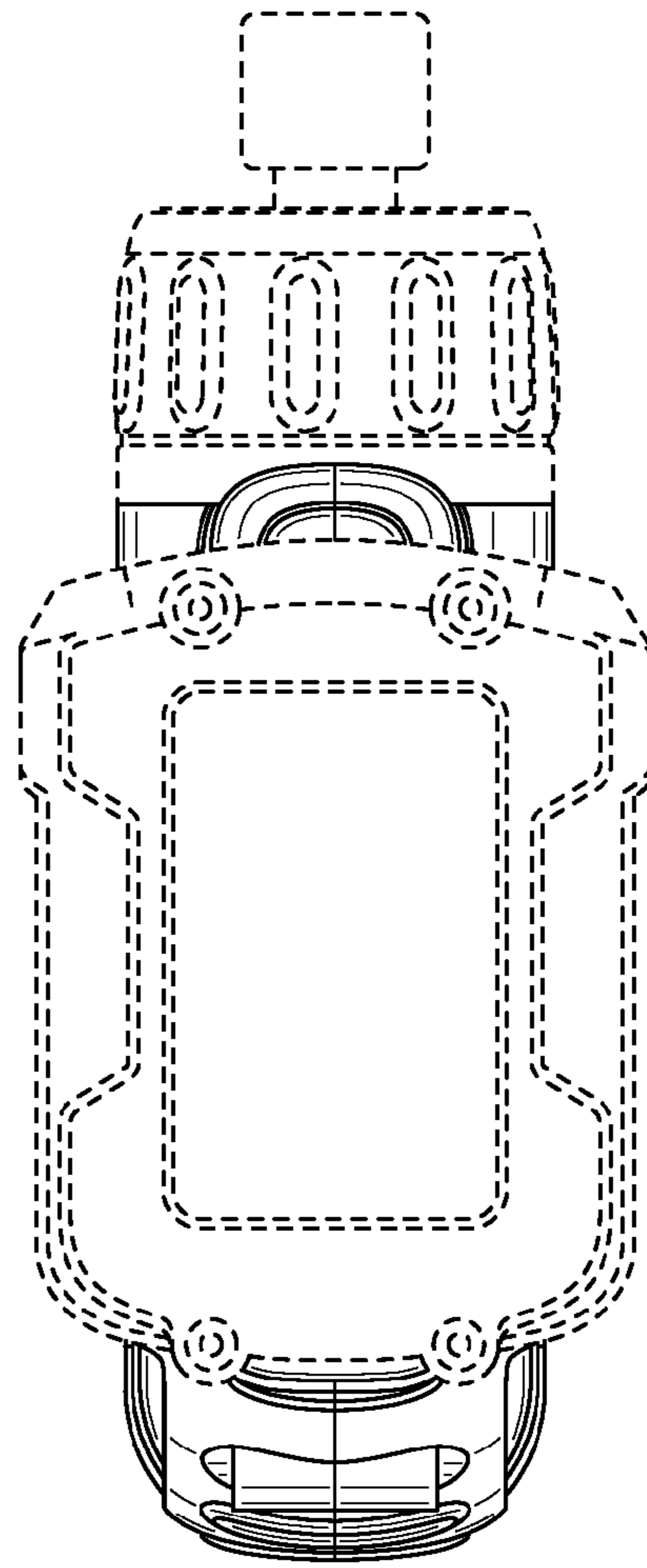


FIG. 7